



US00D859367S

(12) **United States Design Patent** (10) **Patent No.:** **US D859,367 S**
Per mats (45) **Date of Patent:** **** Sep. 10, 2019**

(54) **GPS HOLDER**
(71) Applicant: **NIROO Outdoor AB**, Björbo (SE)
(72) Inventor: **Niklas Erik Roland Per mats**, Björbo (SE)
(73) Assignee: **NIROO Outdoor AB**, Björbo (SE)
(**) Term: **15 Years**
(21) Appl. No.: **29/654,490**
(22) Filed: **Jun. 25, 2018**

D764,565 S * 8/2016 Tekunoff D16/242
D766,908 S * 9/2016 Richter D14/447
D774,382 S * 12/2016 Richter D8/355
D782,901 S * 4/2017 Richter D8/355
D788,571 S * 6/2017 Richter D8/355
D811,856 S * 3/2018 Richter D8/355
2010/0295228 A1 * 11/2010 Woody B60R 11/0241
269/254 R

* cited by examiner

Primary Examiner — Khawaja Anwar

(74) *Attorney, Agent, or Firm* — Nixon & Vanderhye P.C.

(30) **Foreign Application Priority Data**

Jan. 25, 2018 (EM) 004680213

(51) **LOC (12) Cl.** **14-03**

(52) **U.S. Cl.**
USPC **D14/217**

(58) **Field of Classification Search**

USPC D14/217, 432, 433, 434, 341–347, 371,
D14/426, 427; D11/3; D10/30–39, 128;
D13/107, 108

CPC A61M 16/0488; A61M 16/04; A61M
16/0415; A61M 16/0418; A61M 16/0434;
A61M 16/0479; A61M 16/0486; A61M
16/0493; A61M 16/0497; A61M
2025/022; A61M 2205/32; A61M 25/02;
H04W 4/008; H04W 4/027

See application file for complete search history.

(56) **References Cited**

U.S. PATENT DOCUMENTS

D599,230 S * 9/2009 Richter D10/74
D626,953 S * 11/2010 Wilson D14/252
D707,672 S * 6/2014 Lai D14/253
D752,571 S * 3/2016 Richter D14/253

(57) **CLAIM**

The ornamental design for a GPS holder, as shown and described.

DESCRIPTION

FIG. 1 is a top perspective view of a GPS holder according to the present invention;

FIG. 2 is a bottom perspective view thereof;

FIG. 3 is a top plan view thereof;

FIG. 4 is a bottom view thereof;

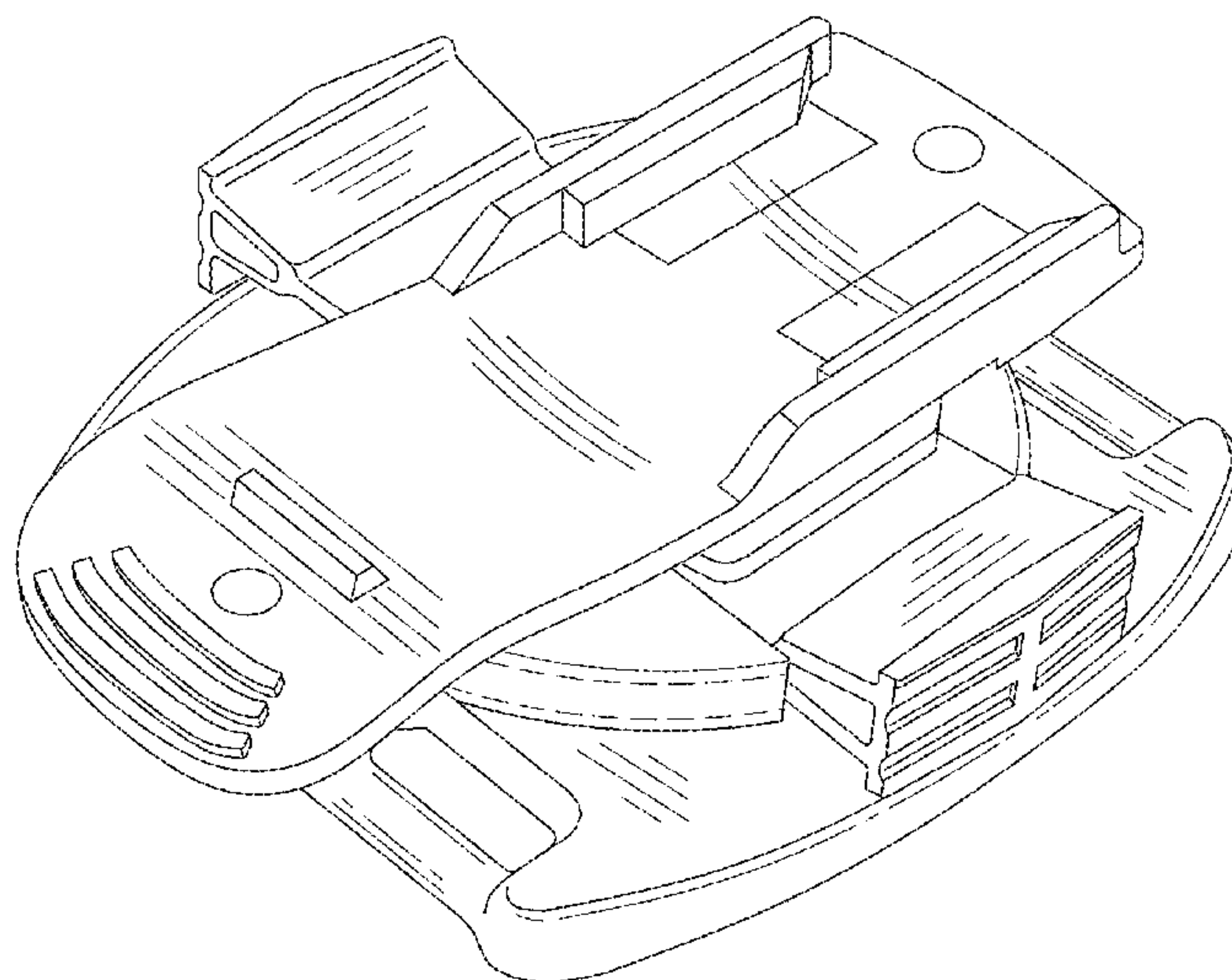
FIG. 5 is a left side view thereof;

FIG. 6 is a right side view thereof;

FIG. 7 is a front view thereof; and,

FIG. 8 is a rear view thereof.

1 Claim, 6 Drawing Sheets



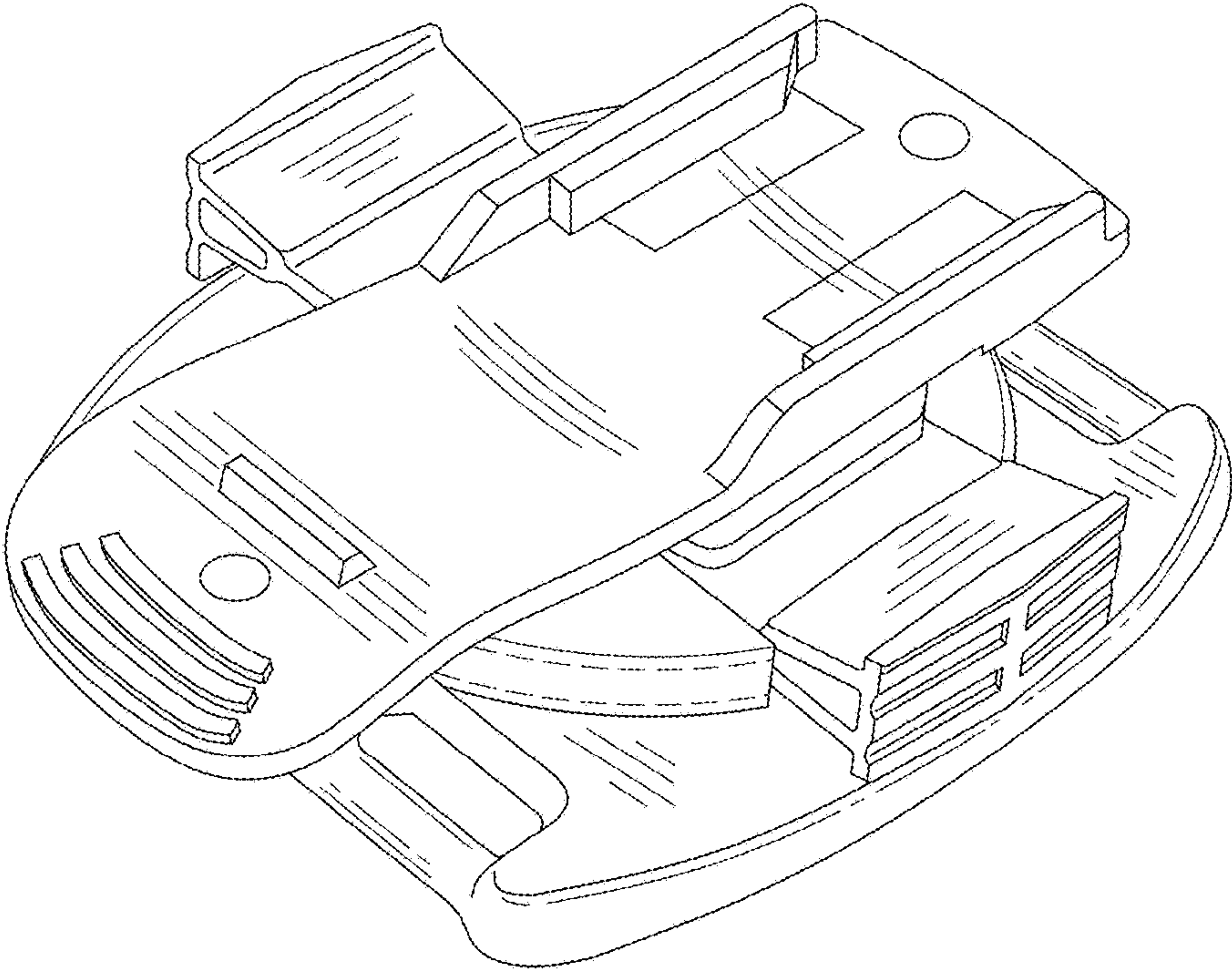


FIG. 1

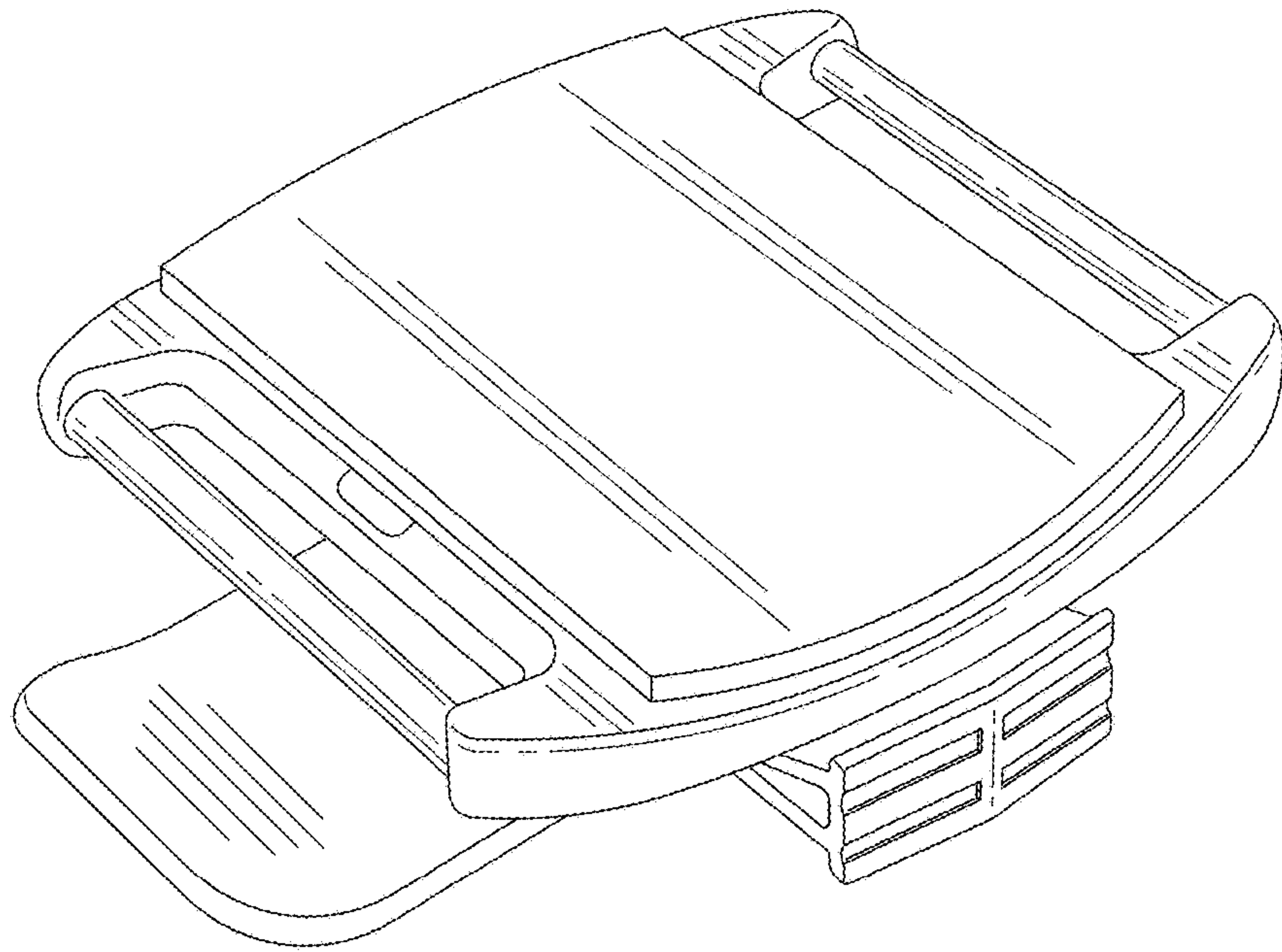


FIG. 2

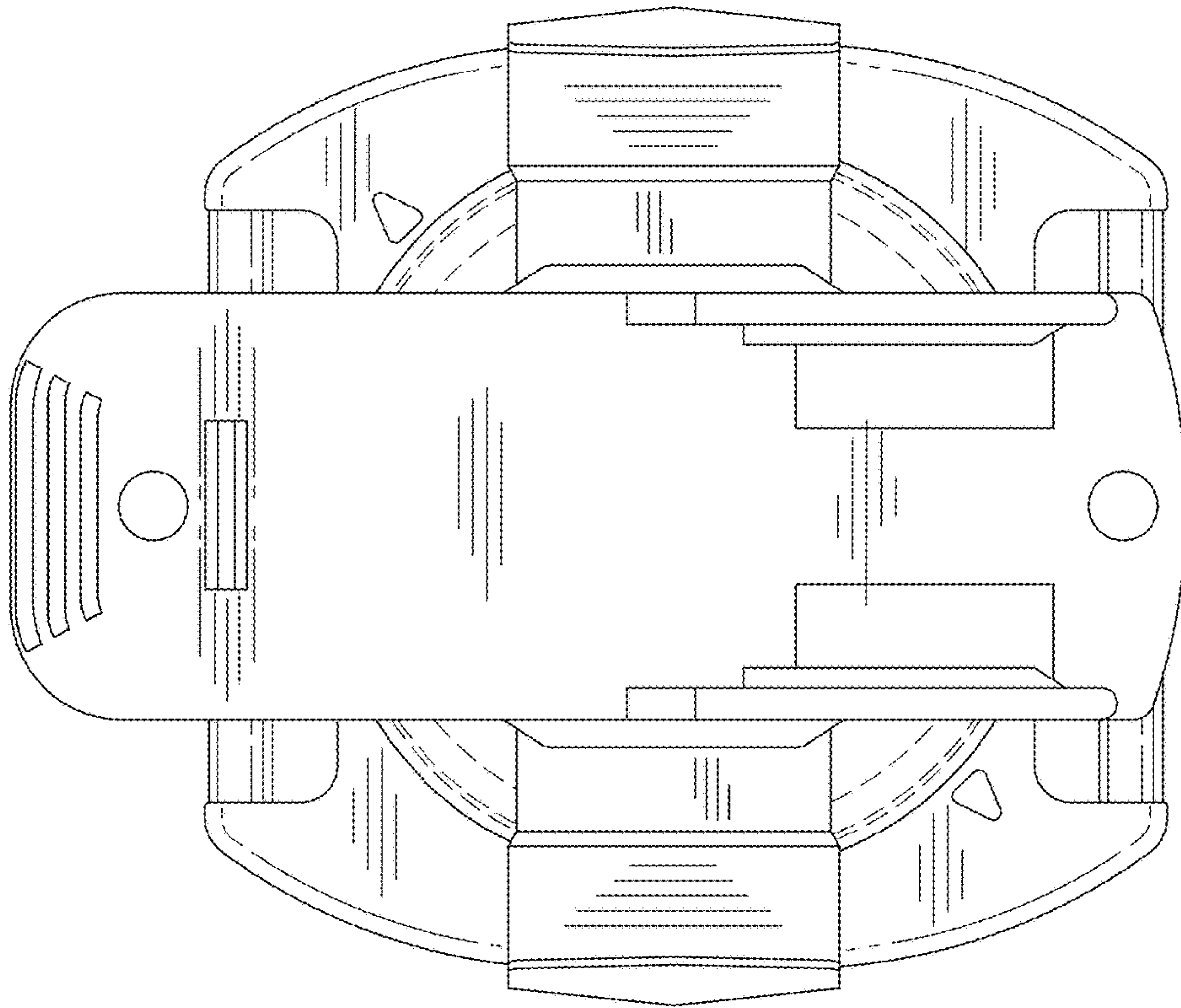


FIG. 3

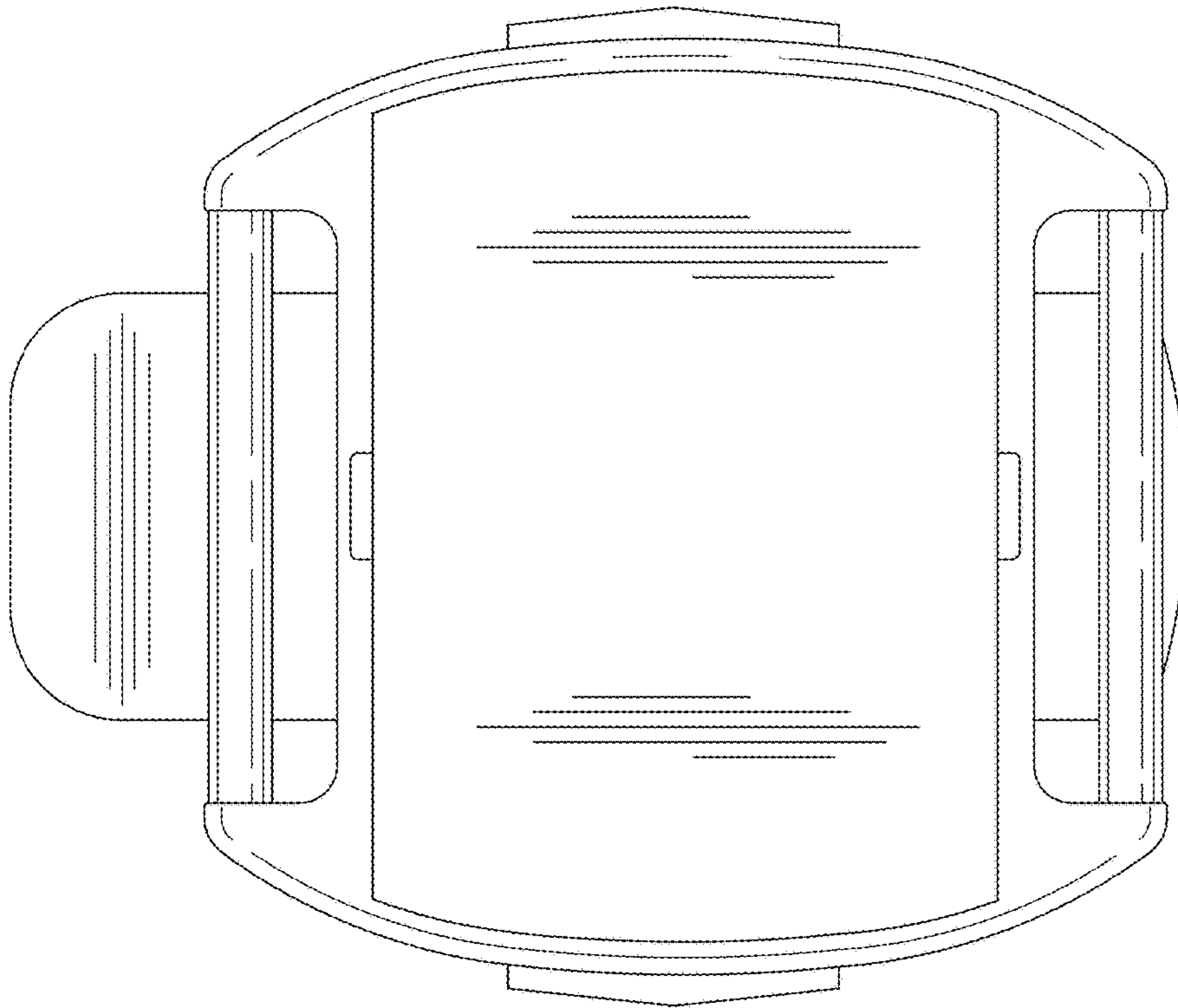


FIG. 4

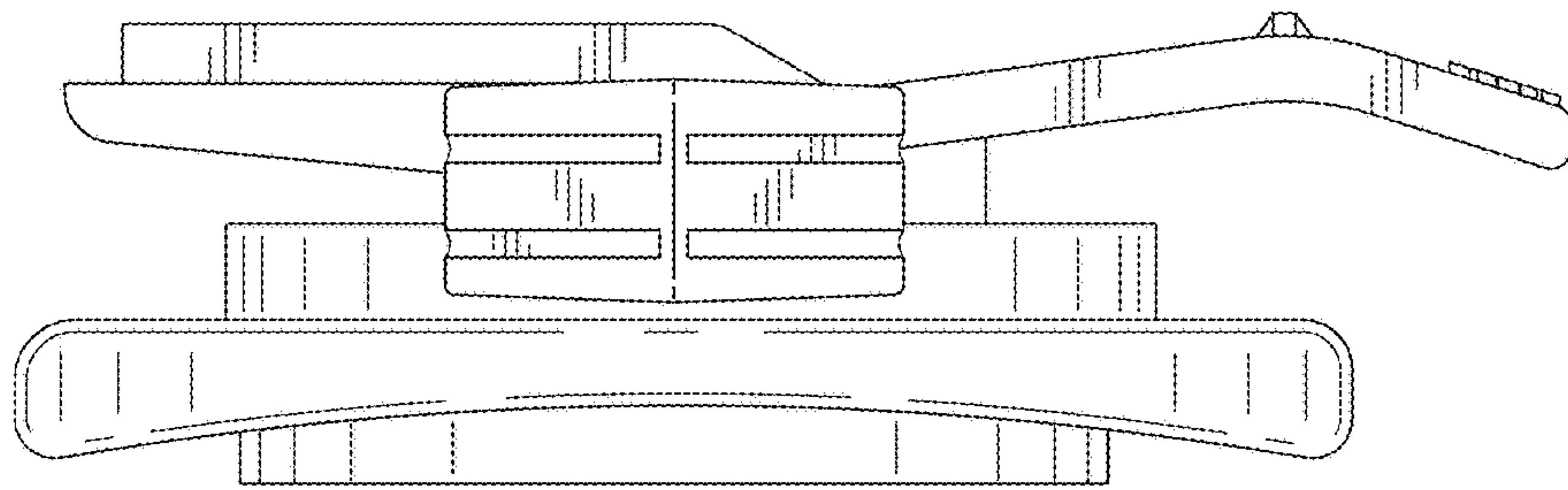


FIG. 5

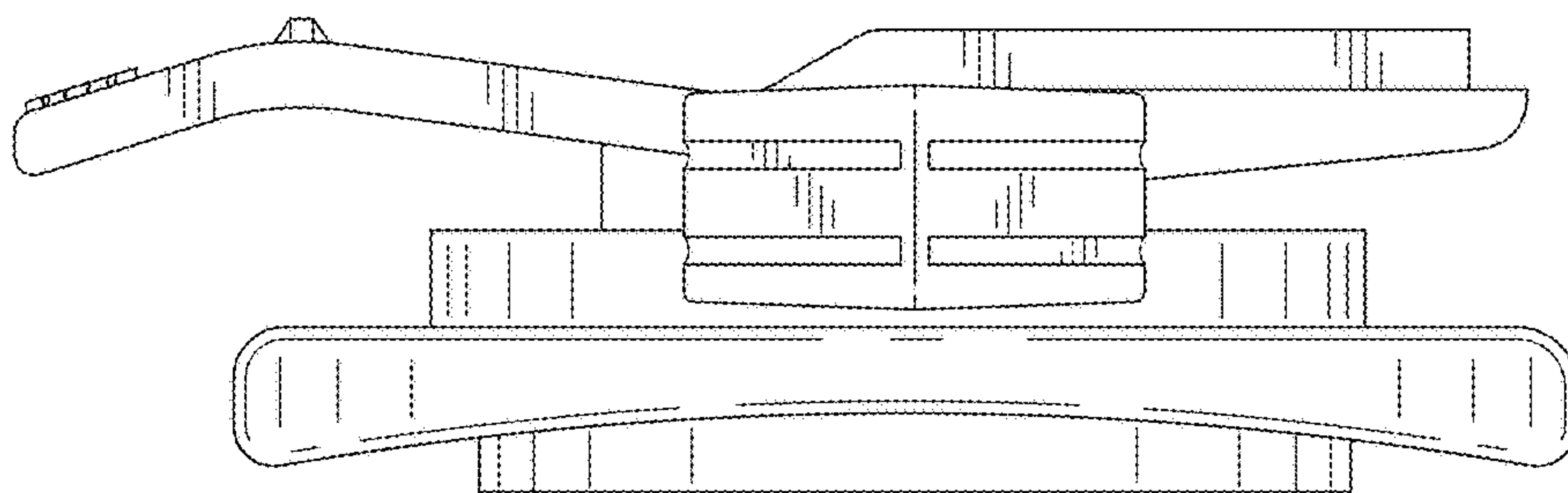


FIG. 6

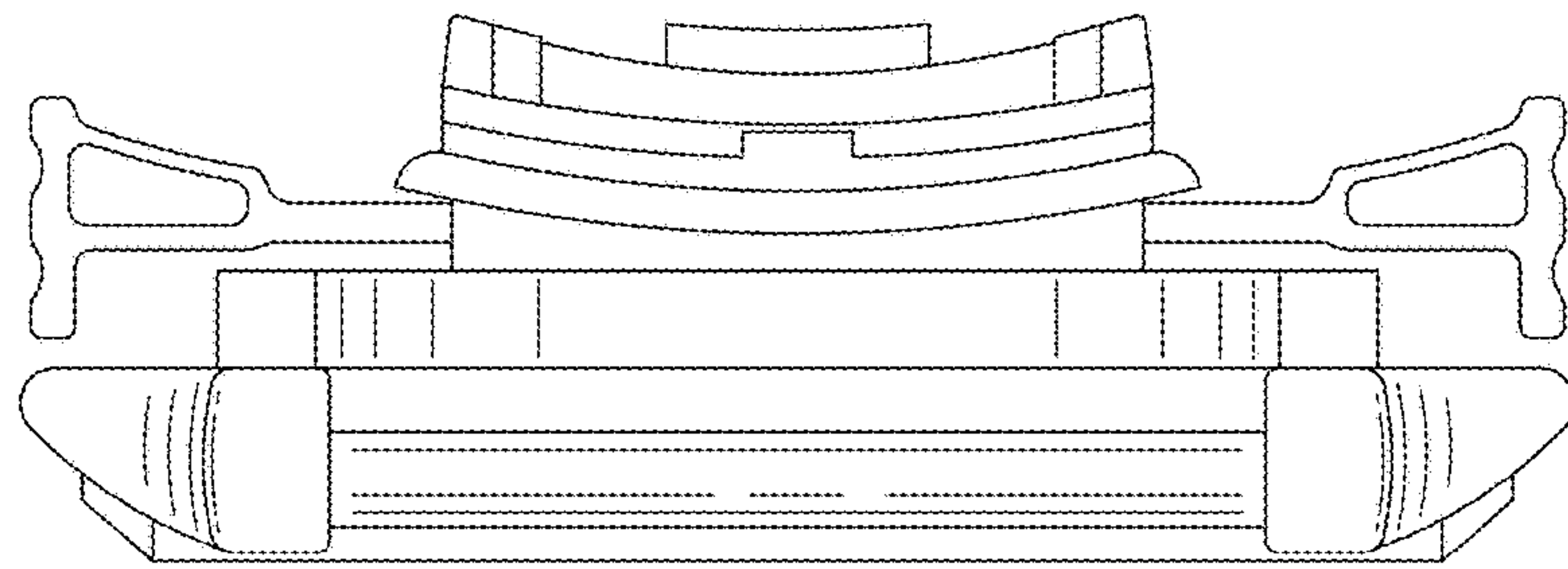


FIG. 7

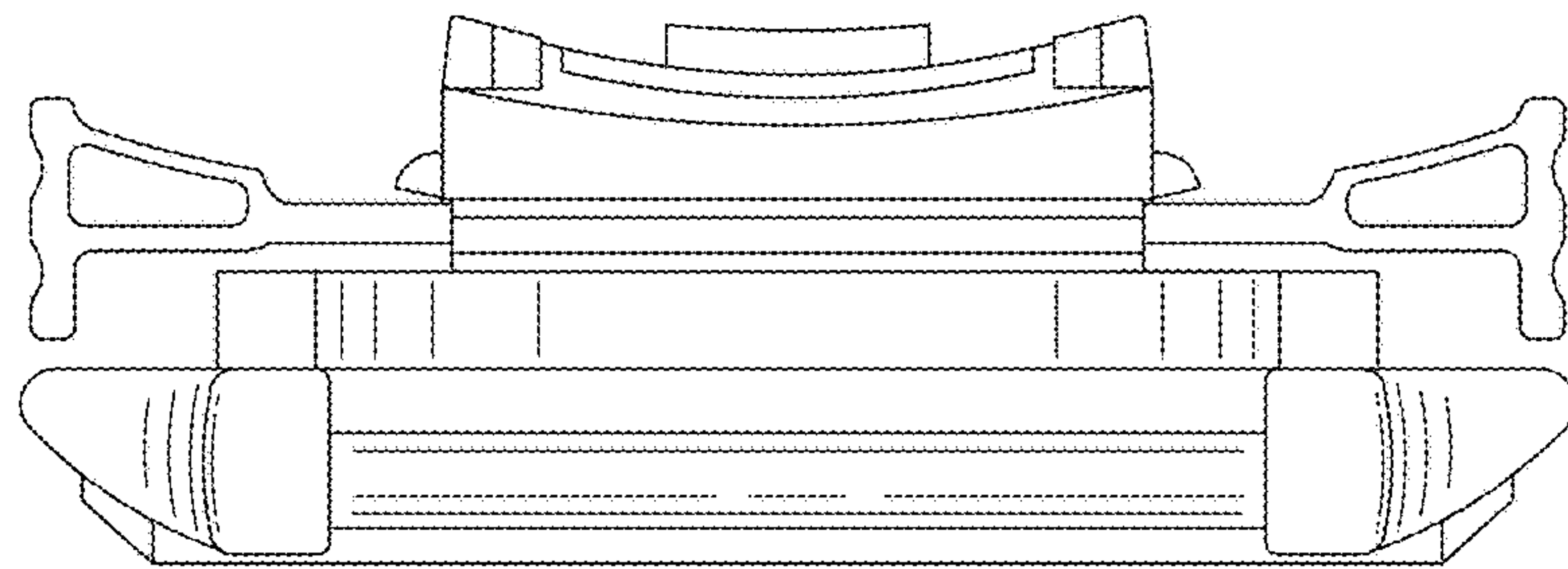


FIG. 8