



US00D859364S

(12) **United States Design Patent** (10) **Patent No.:** **US D859,364 S**
Chalabi et al. (45) **Date of Patent:** **** Sep. 10, 2019**

(54) **PORTABLE SPEAKER**

(56) **References Cited**

(71) Applicant: **Microsoft Corporation**, Redmond, WA (US)

U.S. PATENT DOCUMENTS

(72) Inventors: **Malek Chalabi**, Seattle, WA (US);
Dustin Brown, Kirkland, WA (US);
Eliana Feigelstock, Seattle, WA (US);
Gadi Amit, San Mateo, CA (US);
Yoshikazu Hoshino, San Francisco, CA (US);
Matthew Griffin Pugmire, San Francisco, CA (US)

D241,824 S * 10/1976 Mackay D10/106.5
D537,072 S * 2/2007 Kim D14/215
D584,289 S 1/2009 Lee
D584,290 S 1/2009 Lee
D636,760 S 4/2011 Cheng
D747,229 S 1/2016 Perez
D756,955 S * 5/2016 Wagner D14/203.6
D756,957 S 5/2016 Nylen

(Continued)

(73) Assignee: **Microsoft Corporation**, Redmond, WA (US)

OTHER PUBLICATIONS

(**) Term: **15 Years**

The Verge; Seifert, Dan; "Google Home Mini Review: Chasing Dots"; <https://www.theverge.com/2017/10/11/16453788/google-home-mini-smart-speaker-review>; dated Oct. 11, 2017; accessed Mar. 31, 2019; 5p. (Year: 2017).*

(21) Appl. No.: **29/613,228**

(Continued)

(22) Filed: **Aug. 8, 2017**

Primary Examiner — Keli L Hill

(51) **LOC (12) Cl.** **14-01**

(74) *Attorney, Agent, or Firm* — Banner & Witcoff, Ltd.

(52) **U.S. Cl.**
USPC **D14/216**

(57) **CLAIM**

(58) **Field of Classification Search**
USPC D14/167, 168, 170–172, 188, 194–196,
D14/204, 209.1, 210–216, 219, 221, 222,
D14/224, 239, 496, 144;
D10/106.3–106.5
CPC B60R 11/0217; G06F 1/1688; G10K 9/22;
G10K 11/004; H03F 1/327; H04M 1/03;
H04M 1/035; H04N 5/642; H04N
21/4852; H04R 1/02; H04R 1/06; H04R
1/021; H04R 1/025; H04R 1/026; H04R
1/028; H04R 1/105; H04R 1/323; H04R
1/403; H04R 1/2803; H04R 1/2834;
H04R 5/02; H04R 7/20; H04R 9/06;
H04R 9/025; H04R 2201/021; H04R
2400/00; H04R 2400/07; H04R 2499/11;
H04R 2499/13; H04R 2499/15; H04S
3/00; H04S 7/30

The ornamental design for a portable speaker, as shown and described.

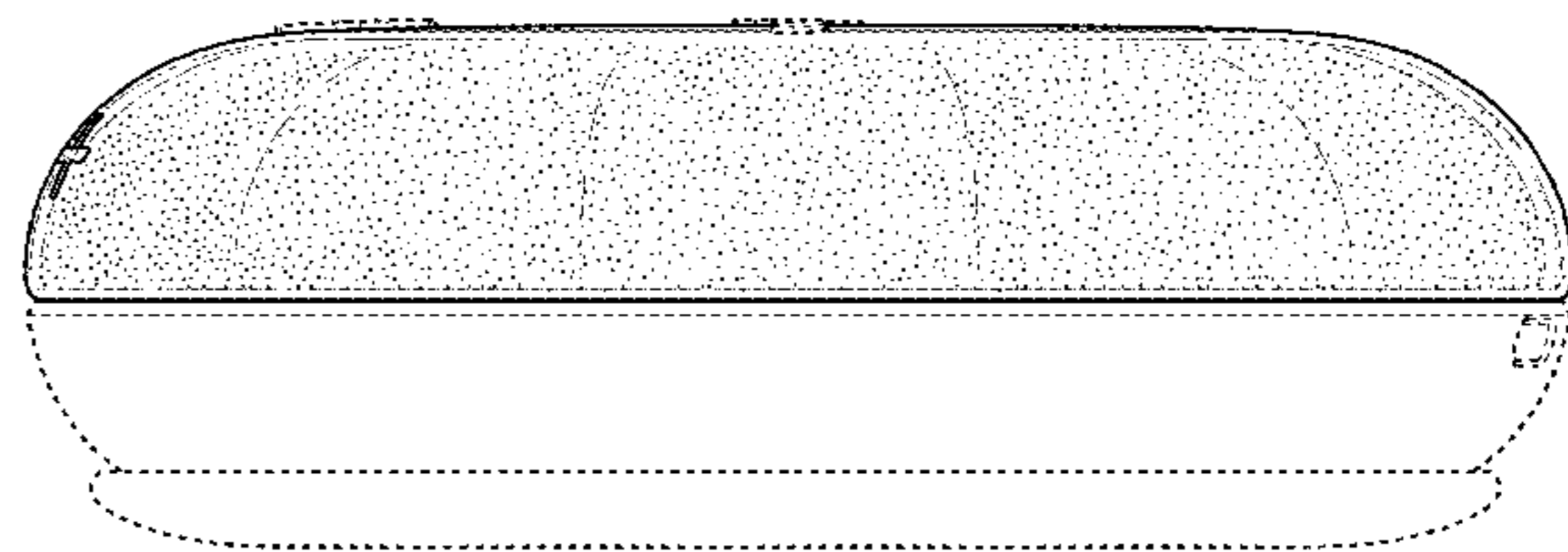
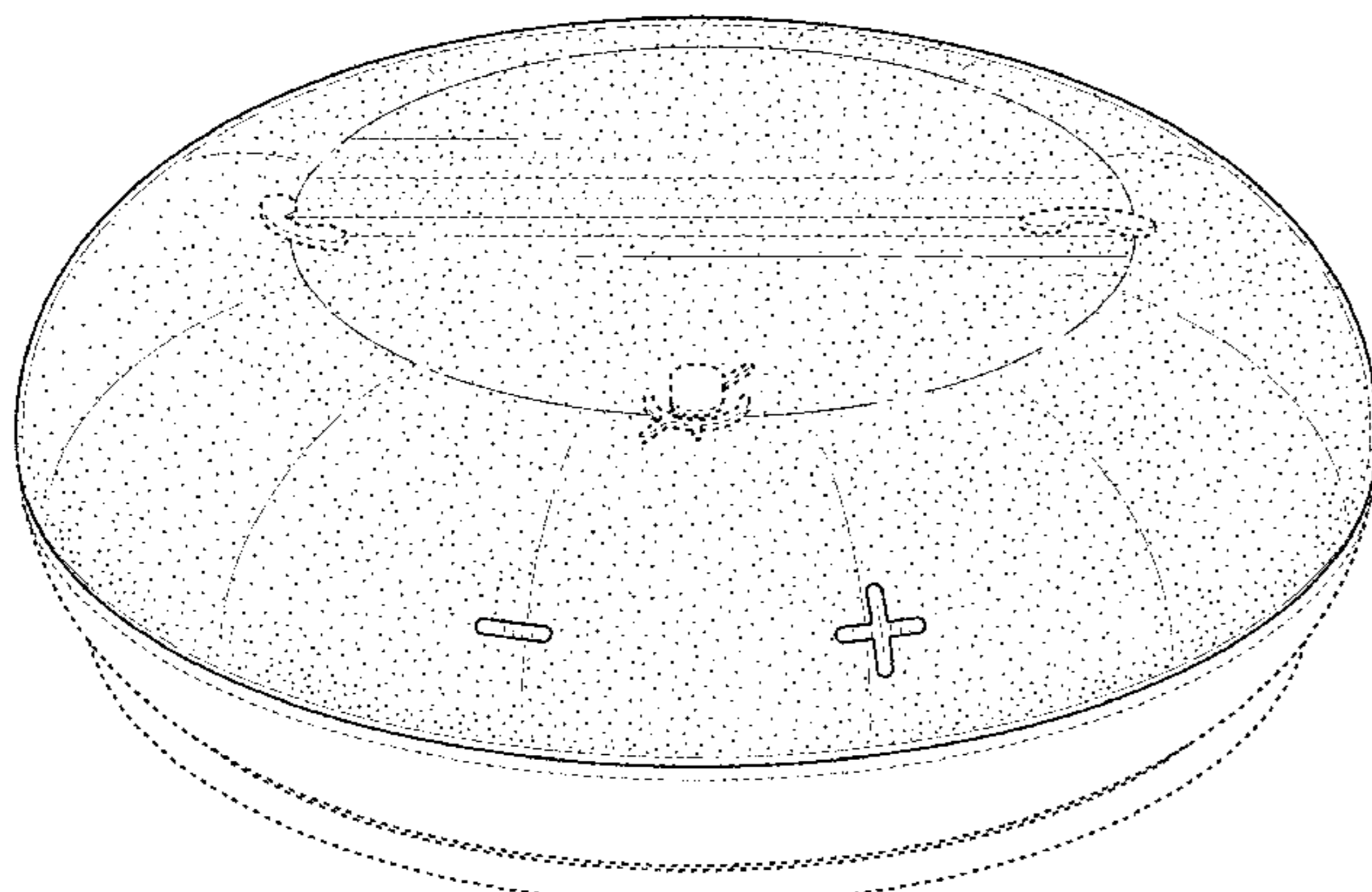
DESCRIPTION

FIG. 1 is a front perspective view of a portable speaker showing our new design;
FIG. 2 is a top view thereof;
FIG. 3 is a front view thereof;
FIG. 4 is a rear view thereof;
FIG. 5 is a right side view thereof; and,
FIG. 6 is a left side view thereof.

The broken line showing of the various unshaded elements of the portable speaker and the remainder of the portable speaker illustrates environmental structure and forms no part of the claimed design. The stipple shading represents a fabric covering.

See application file for complete search history.

1 Claim, 4 Drawing Sheets



(56)

References Cited

U.S. PATENT DOCUMENTS

D778,875	S *	2/2017	Lukic	D14/216
D797,704	S *	9/2017	Fischer	D14/216
D801,303	S	10/2017	Holzer	
D801,306	S	10/2017	Czaniecki et al.	
D806,711	S *	1/2018	Sakaguchi	D14/388
D814,442	S	4/2018	Ye	
D818,853	S *	5/2018	Golnik	D10/70
D820,238	S	6/2018	Boshernitzan et al.	
D822,004	S *	7/2018	Tan	D14/216
D823,894	S	7/2018	Ullits	
D832,821	S	11/2018	Jeon et al.	
D834,000	S	11/2018	Paslowski	
D834,560	S *	11/2018	Hardi	D14/218
D835,070	S	12/2018	Depasquale	

OTHER PUBLICATIONS

Business Insider; "A Guide to the Best Portable Bluetooth Speakers under \$100"; Publication date Aug. 27, 2015; Date Accessed: Aug. 31, 2017; URL: <<http://www.businessinsider.com/best-affordable-bluetooth-speakers-under-100-dollars-buying-guide-2015-8>>.

Cool Hunting; "BeoPlay A1, the Perfect Pool Party Speaker"; Publication date Apr. 21, 2016; Date Accessed: Aug. 31, 2017; URL: <<http://www.coolhunting.com/tech/bang-olufsen-beoplay-a1-bluetooth-speaker-review>>.

Audio Geeks; "B&O Play by Bang & Olufsen A1 Wireless Speaker"; Publication date unknown but prior to filing date; Date Accessed: Aug. 31, 2017; URL: <https://www.audiogeeks.com/speakers/b-and-o-play-by-bang-and-olufsen-a1-wireless-speaker?utm_medium=pla&utm_source=google&sku_id=1055&gclid=COiR8fTDu9QCFcQLswdcMUFuQ>.

Alibaba; "New Trending 2017 Portable Cloth Cover Fabric Bluetooth Speaker Waterproof"; Publication date unknown but prior to filing date; Date Accessed: Aug. 31, 2017; URL: <https://wholesaler.alibaba.com/product-detail/New-trending-2017-portable-cloth-cover_60590292494.html?spm=a2700.7782932.1998701000.53.18617dbbc2x2hz>.

Jaskey Limited; "Bluetooth Speakers Sphere Portable Wireless Big Fabric Speaker with Home Decoration"; Publication date unknown but prior to filing date; Date Accessed: Aug. 31, 2017; URL: <<http://www.jaskeyworld.com/products/bluetooth-speakers-sphere-portable-wireless-big-fabric-speaker-with-home-decoration.html>>.

Amazon; "Photive Sphere Portable Wireless Bluetooth Speaker with Built in Stand—Graphite"; Publication date unknown but prior to filing date; Date Accessed: Aug. 31, 2017; URL: <<https://www.amazon.com/Photive-Portable-Wireless-Bluetooth-Graphite/dp/B01F66EZZS>>.

Celare Shop; "F6 12W Fabric Desktop Bluetooth 4.1 Speaker Support Hands-free Call/TF Card/ AUX-in Built-in Stand-Pink"; Publication date unknown but prior to filing date; Date Accessed: Aug. 31, 2017; URL: <<http://celare.cl/f6-12w-fabric-desktop-bluetooth-4-1-speaker-support-hands-free-call-ff-card-aux-in-built-in-stand-pink/>>.

CNET; "Best Portable Mini Bluetooth Speakers (2017 Edition)"; Publication date unknown but prior to filing date; Date Accessed: Aug. 31, 2017; URL: <<https://www.cnet.com/pictures/best-portable-mini-bluetooth-speakers-pictures/>>.

Logitech; "X100 Mobile Wireless Speaker Support"; Publication date unknown but prior to filing date; Date Accessed: Mar. 31, 2017; URL: <http://support.logitech.com/en_us/product/x100-mobile-wireless-speaker>.

"Non Final Office Action Issued in U.S. Appl. No. 29/607,249", dated Jan. 11, 2019, 5 Pages.

* cited by examiner

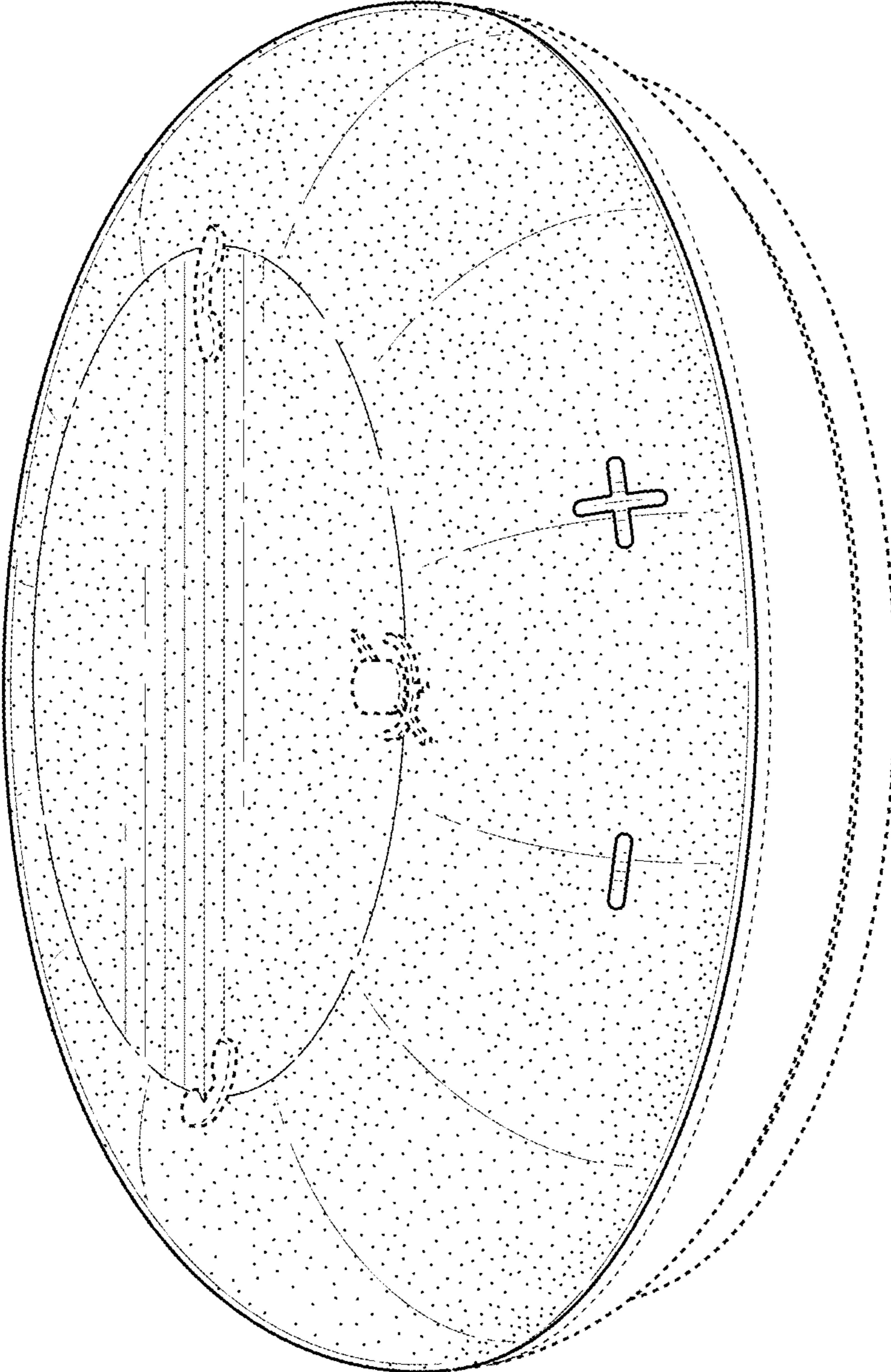


FIG. 1

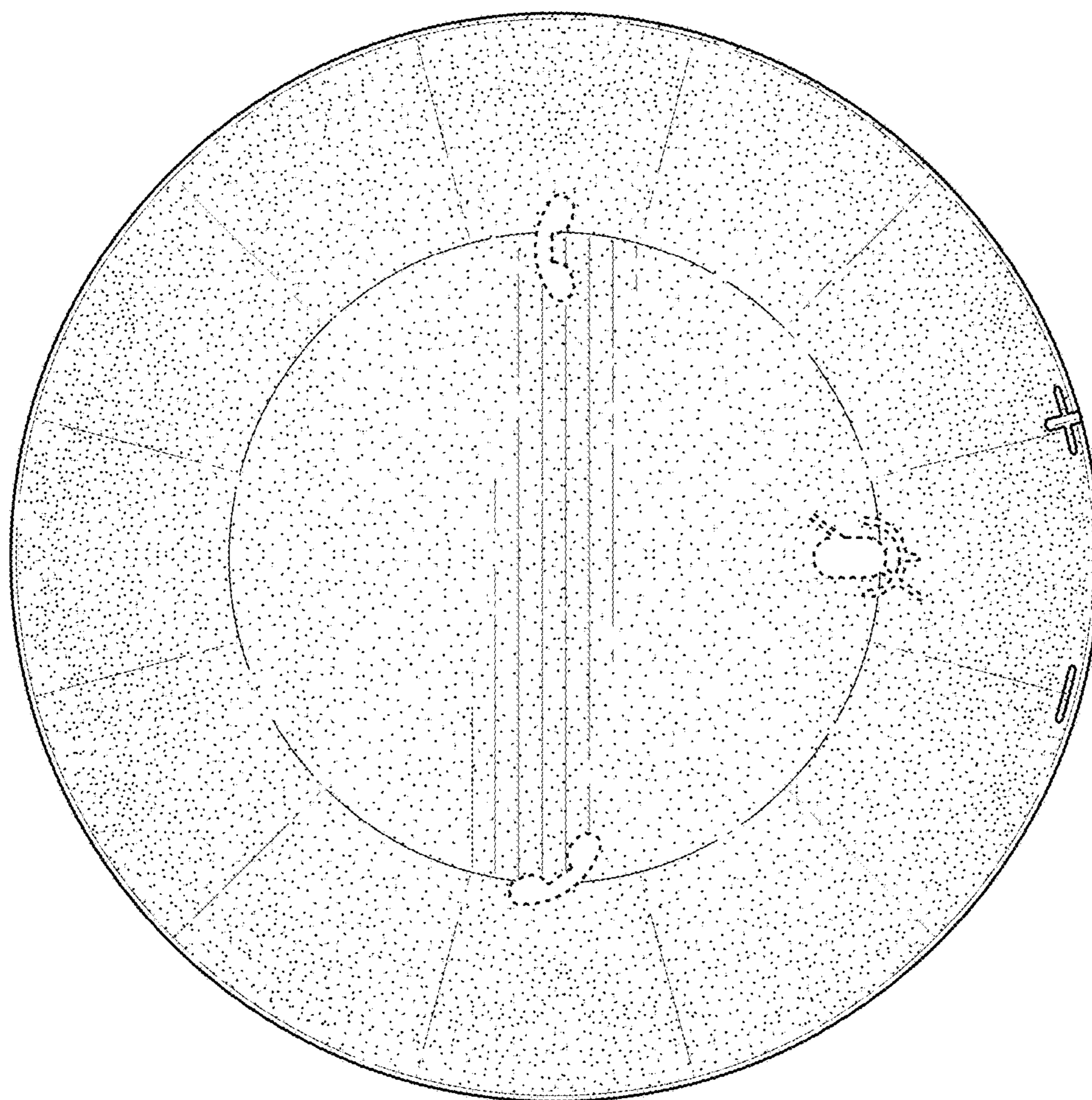


FIG. 2

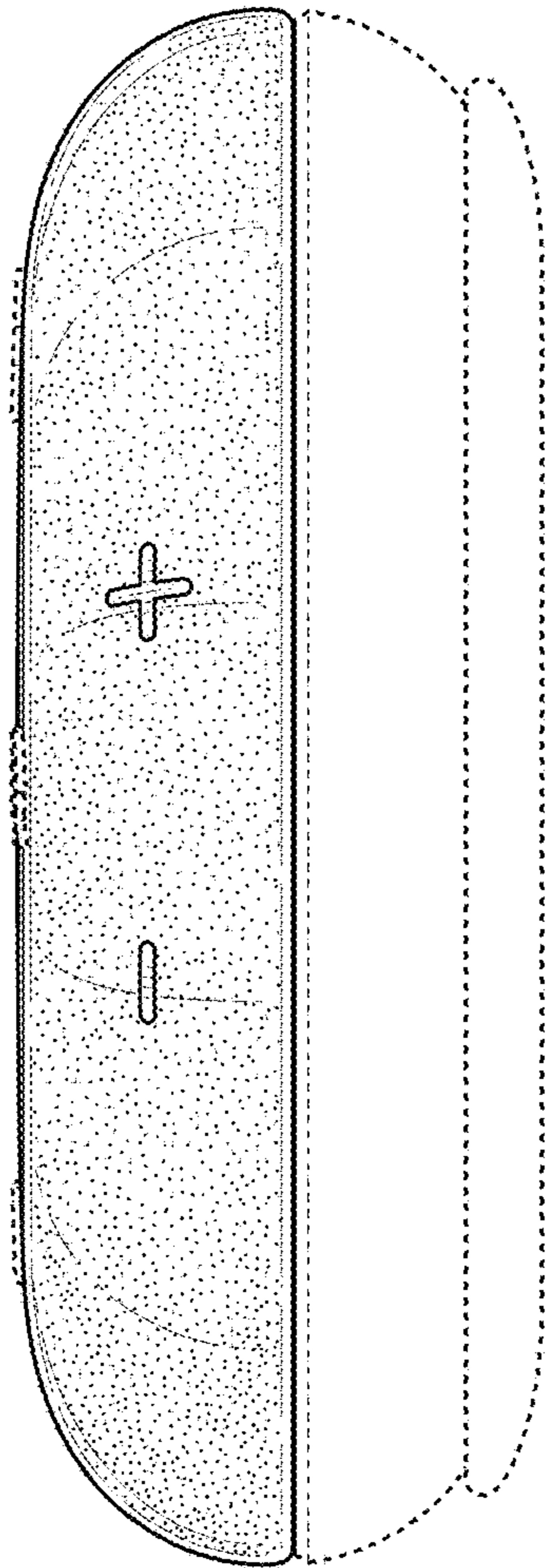


FIG. 3

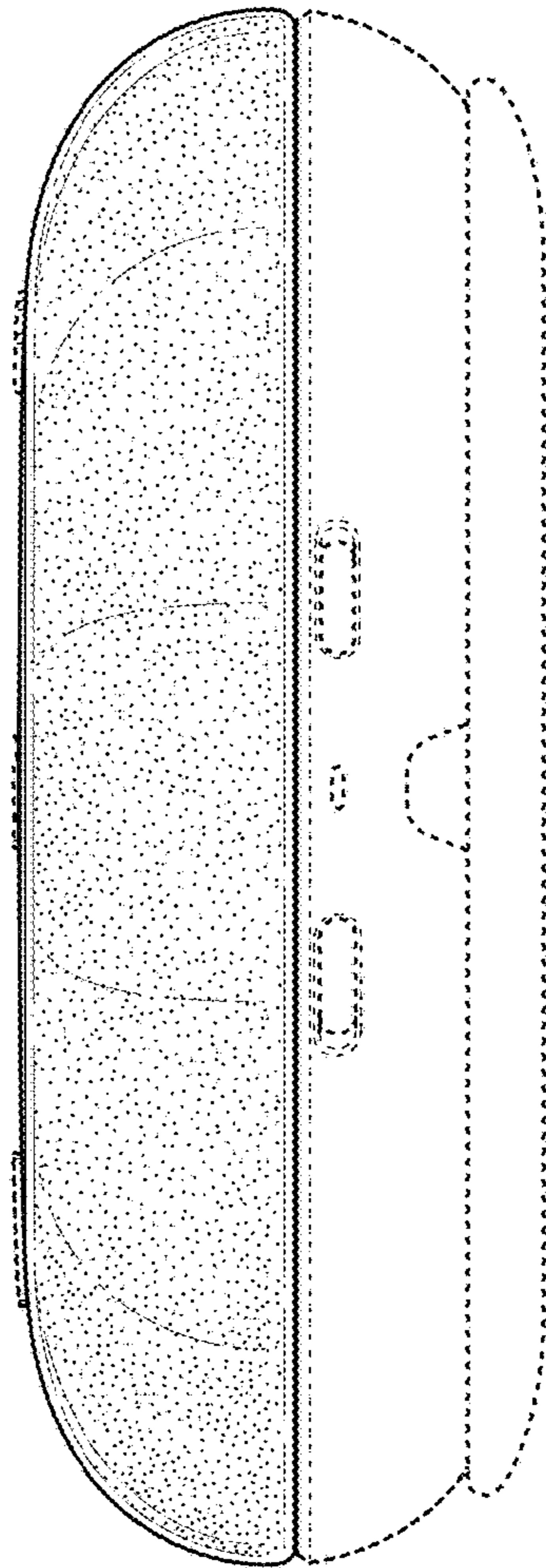


FIG. 4



FIG. 5

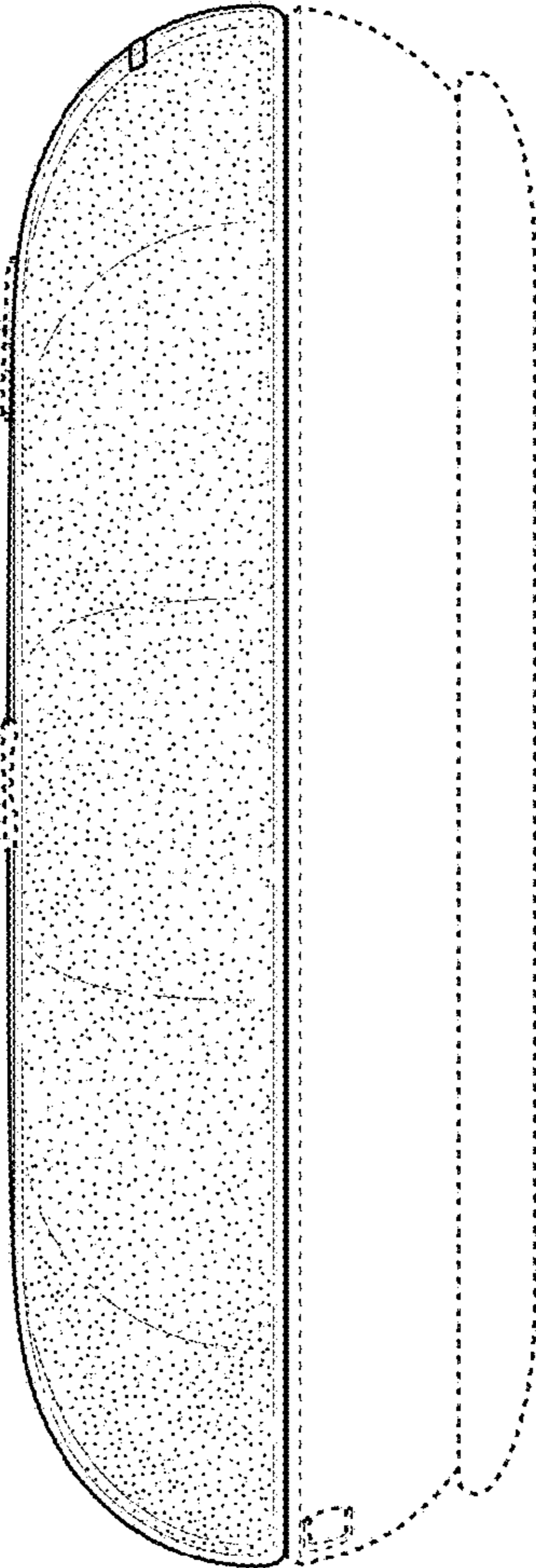


FIG. 6