



US00D859362S

(12) **United States Design Patent**
Bang et al.

(10) **Patent No.:** **US D859,362 S**

(45) **Date of Patent:** **** *Sep. 10, 2019**

(54) **AUDIO DEVICE**

H04R 2499/11; H04R 2499/13; H04R 2499/15; H04S 3/00; H04S 7/30

(71) Applicant: **Samsung Electronics Co., Ltd.**,
Suwon-si (KR)

See application file for complete search history.

(72) Inventors: **Sungil Bang**, Seoul (KR); **Chanhee Han**, Seoul (KR); **Byungwook Kang**, Seoul (KR)

(56) **References Cited**

U.S. PATENT DOCUMENTS

(73) Assignee: **Samsung Electronics Co., Ltd.**,
Suwon-si (KR)

(*) Notice: This patent is subject to a terminal disclaimer.

(**) Term: **15 Years**

(21) Appl. No.: **29/607,964**

(22) Filed: **Jun. 19, 2017**

1,216,840	A	*	2/1917	Ramsey et al.	A63H 33/105 144/307
D368,939	S	*	4/1996	Frederiksen	D21/500
D523,354	S	*	6/2006	Li	D10/15
D544,465	S	*	6/2007	Peersmann	D14/214
D590,812	S	*	4/2009	Muraoka	D14/215
D664,122	S	*	7/2012	Cho	D14/215
D669,500	S	*	10/2012	Dangerfield	D14/203.1
D676,831	S	*	2/2013	Onoue	D14/215
D680,097	S	*	4/2013	Davies	D14/204
D691,115	S	*	10/2013	Silvera	D14/212
D692,412	S	*	10/2013	Silvera	D14/215
D695,707	S	*	12/2013	Szymanski	D14/214
D695,709	S	*	12/2013	Szymanski	D14/214

(Continued)

(30) **Foreign Application Priority Data**

Dec. 22, 2016 (KR) 30-2016-0062577

(51) **LOC (12) Cl.** **14-01**

(52) **U.S. Cl.**
USPC **D14/215**; D14/214

(58) **Field of Classification Search**
USPC D14/167, 168, 170-172, 188, 194-196,
D14/204, 207, 209.1, 210-215, 219, 221,
D14/222, 496

CPC B60R 11/0217; G06F 1/1688; G10K 9/22;
G10K 11/004; H03F 1/327; H04M 1/03;
H04M 1/035; H04N 5/642; H04N
21/4852; H04R 1/02; H04R 1/06; H04R
1/021; H04R 1/025; H04R 1/026; H04R
1/028; H04R 1/105; H04R 1/323; H04R
1/403; H04R 1/2803; H04R 1/2834;
H04R 5/02; H04R 7/20; H04R 9/06;
H04R 9/025; H04R 2201/021; H04R
2400/00; H04R 2400/07; H04R 2400/11;

Primary Examiner — Keli L Hill

(74) *Attorney, Agent, or Firm* — NSIP Law

(57) **CLAIM**

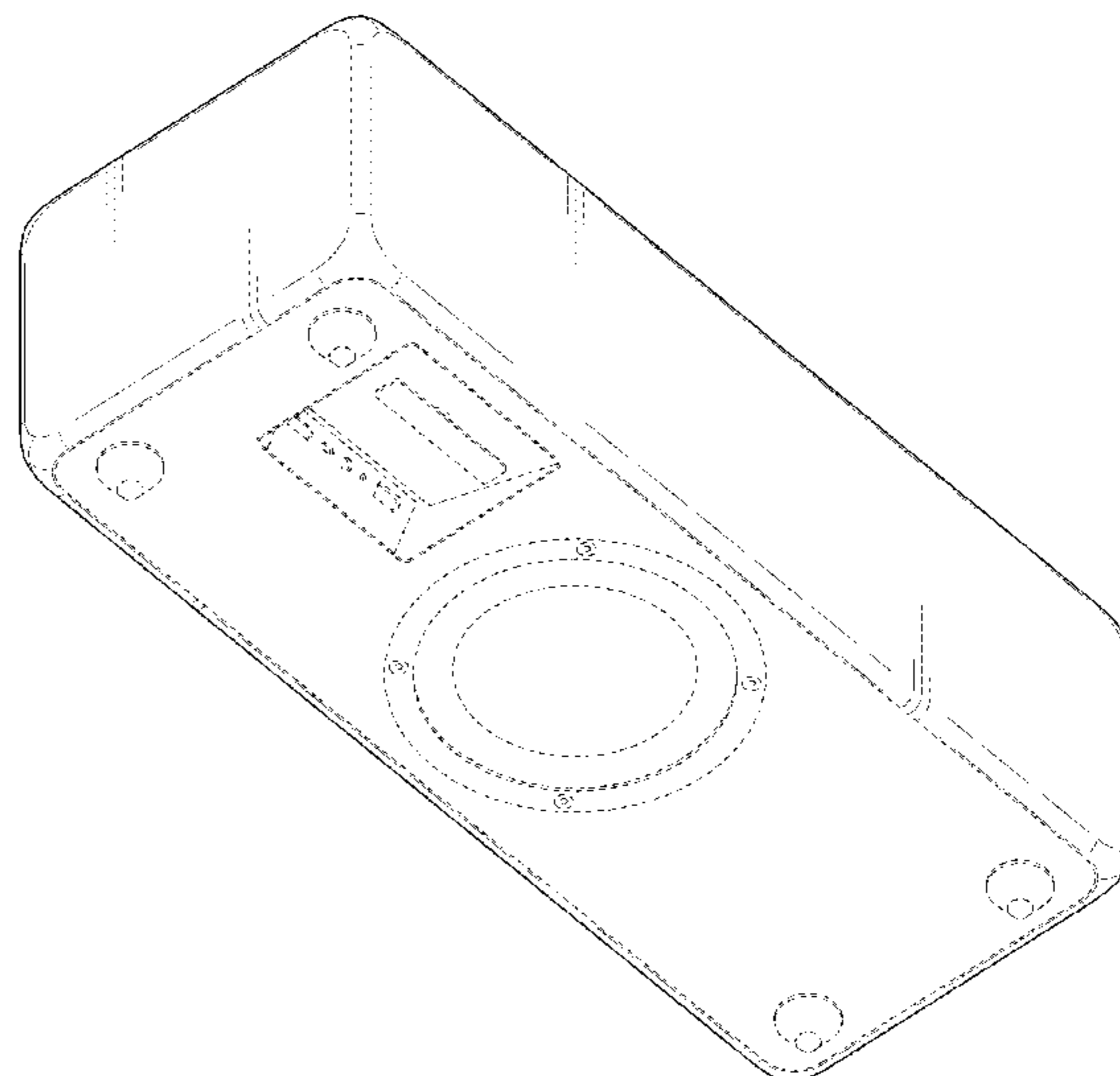
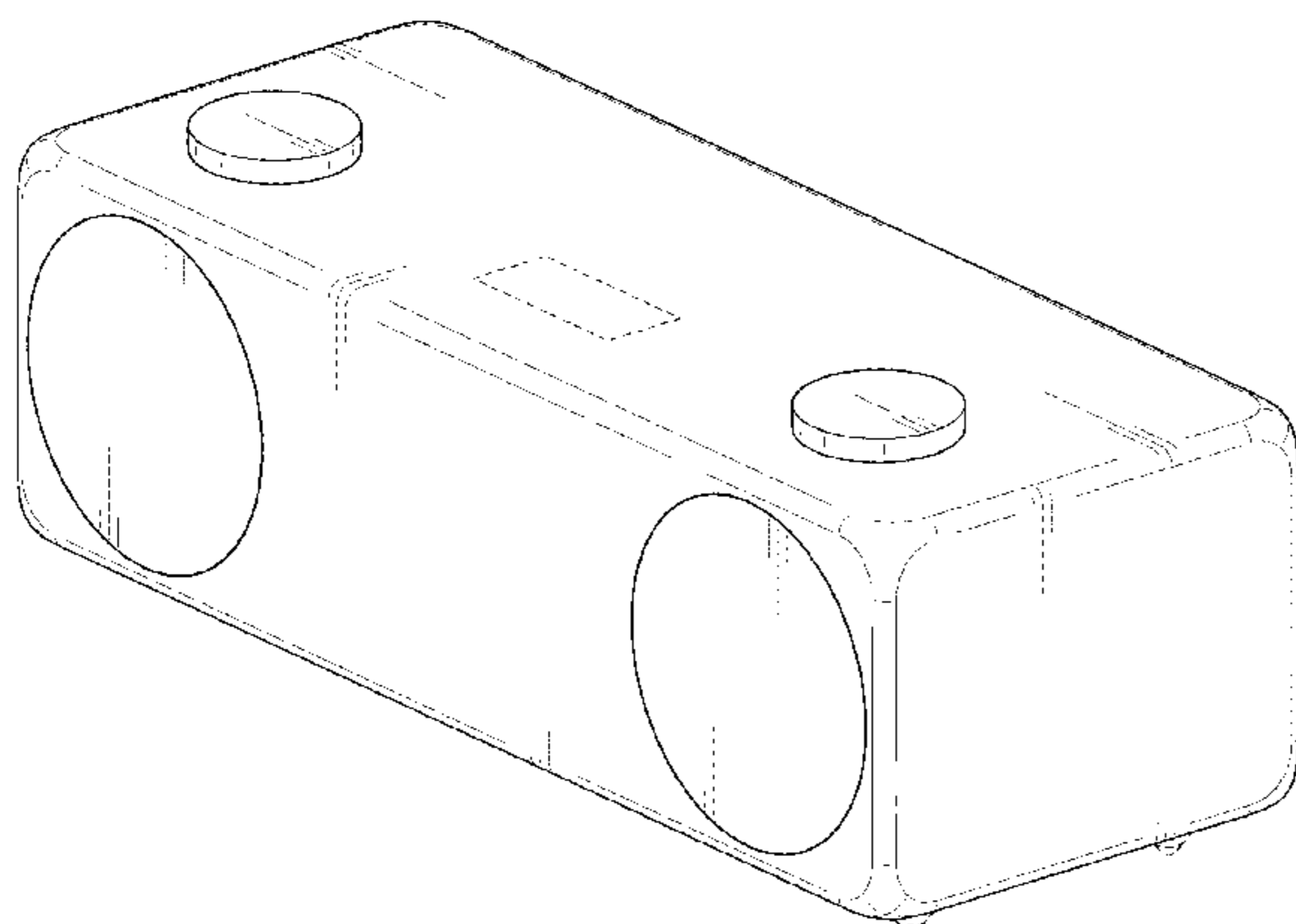
We claim the ornamental design for an audio device, as shown and described.

DESCRIPTION

FIG. 1 is a top perspective view of an audio device showing our new design;
FIG. 2 is a front elevational view thereof;
FIG. 3 is a rear elevational view thereof;
FIG. 4 is a left-side elevational view thereof;
FIG. 5 is a right-side elevational view thereof;
FIG. 6 is a top plan view thereof;
FIG. 7 is a bottom plan view thereof; and,
FIG. 8 is a bottom rear perspective view thereof.

The broken lines shown are included for the purpose of illustrating portions of the audio device that form no part of the claim.

1 Claim, 8 Drawing Sheets



(56)

References Cited

U.S. PATENT DOCUMENTS

D698,869 S * 2/2014 Strzelewicz D21/499
D700,527 S * 3/2014 Garrett D10/15
D702,211 S * 4/2014 Kim D14/209.1
D718,736 S * 12/2014 Thompson D14/168
D734,293 S * 7/2015 Kim D14/204
D734,300 S * 7/2015 Fujioka A63H 33/105
D14/214
D746,789 S * 1/2016 DeVesto D14/188
D758,343 S * 6/2016 Lindenberger D14/214
D758,345 S * 6/2016 Fujioka D14/214
D761,230 S * 7/2016 Si D14/214
D796,588 S * 9/2017 Poulus D21/484
D803,953 S * 11/2017 Wallace D21/500
D826,296 S * 8/2018 Noorazar D15/122
D835,603 S * 12/2018 Chen D14/214
D842,265 S * 3/2019 Becker D14/204
2010/0120322 A1 * 5/2010 Vicentelli A63H 33/046
446/92

* cited by examiner

FIG. 1

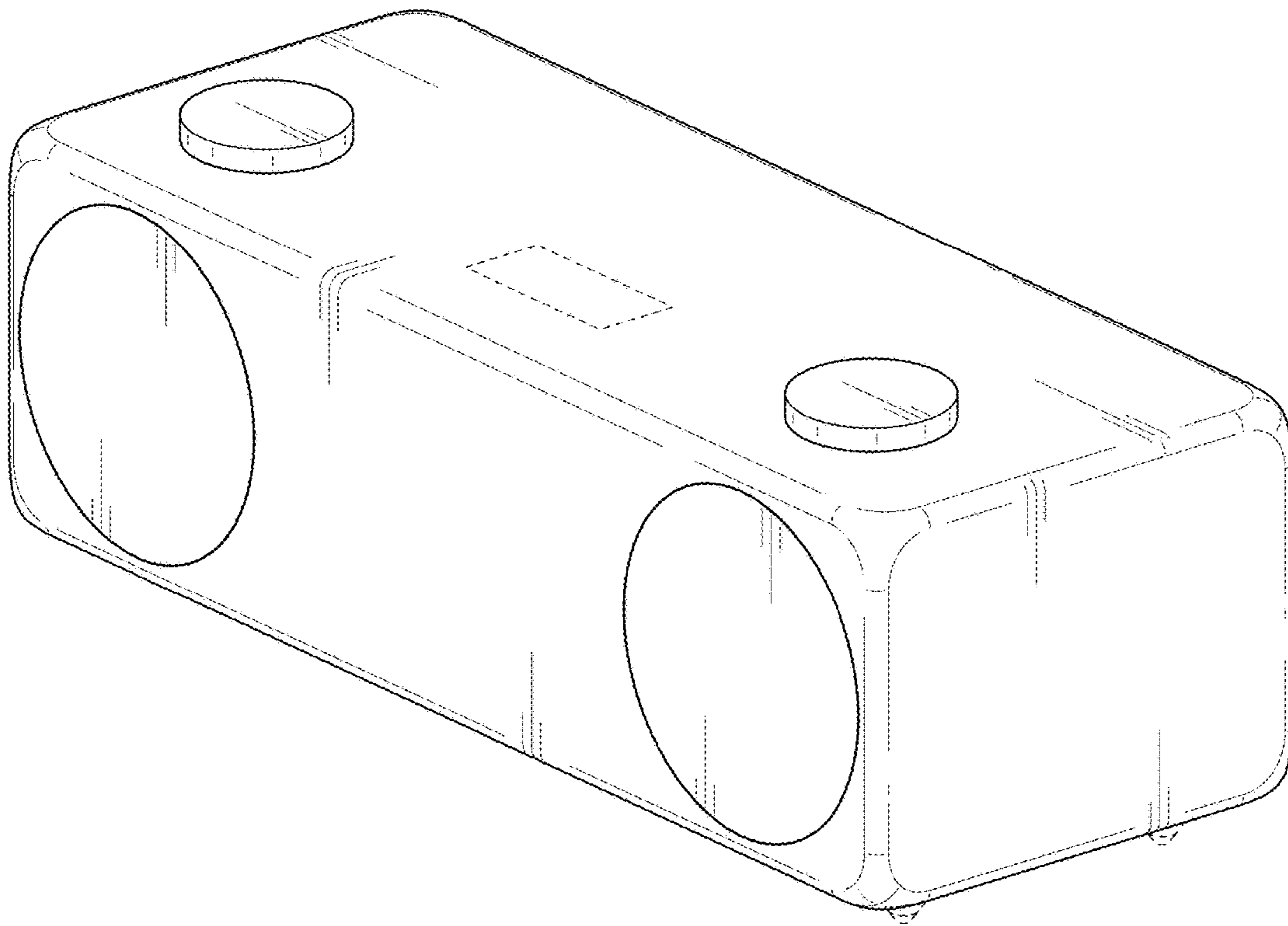


FIG. 2

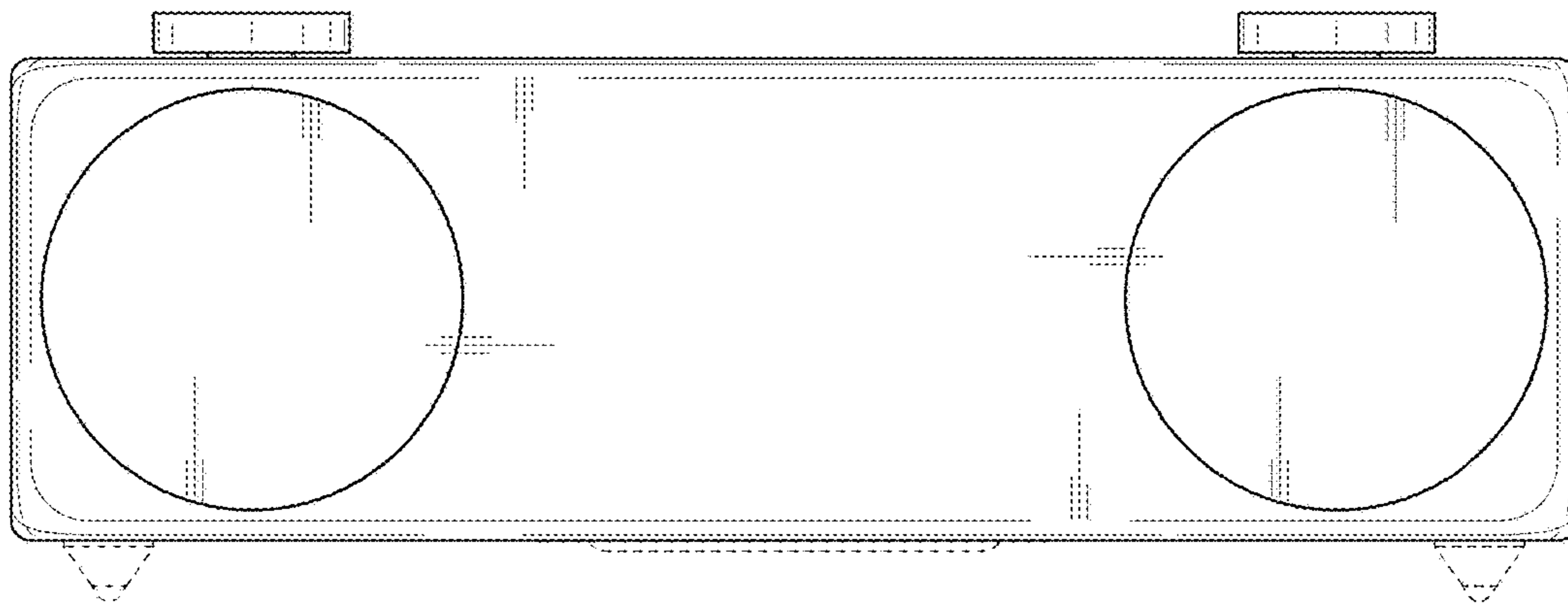


FIG. 3

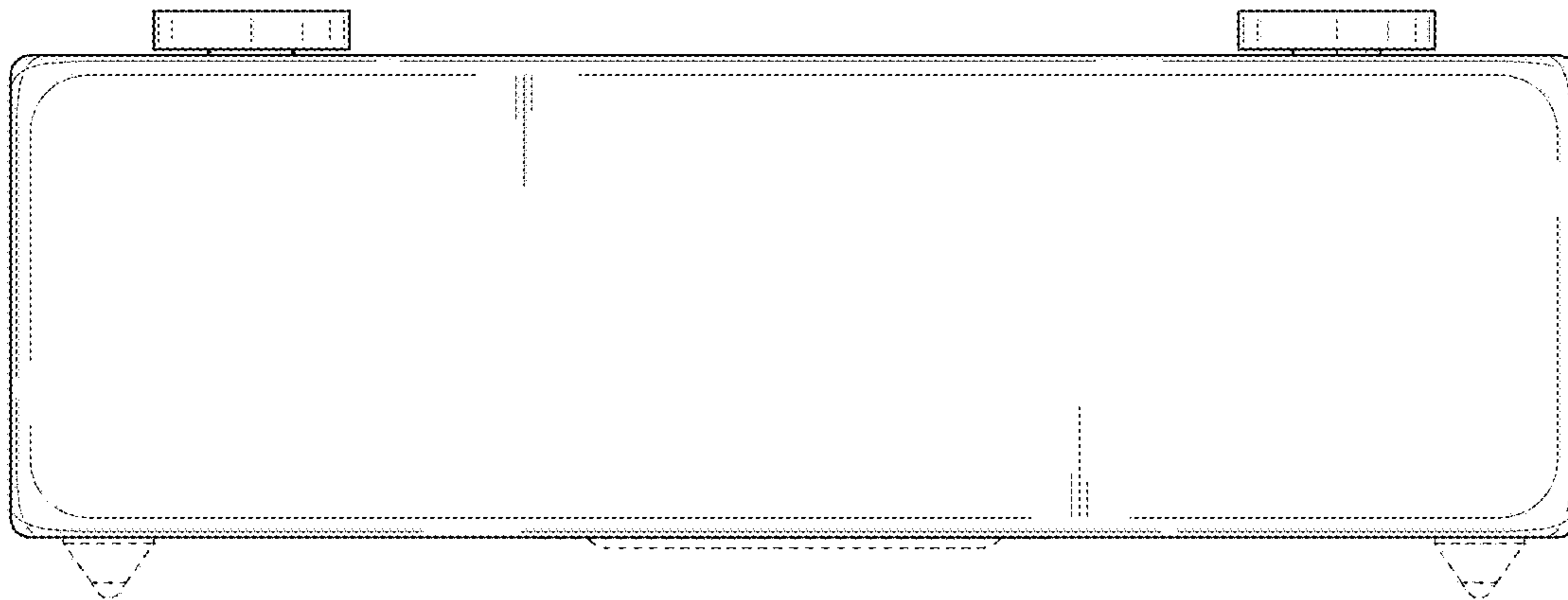


FIG. 4

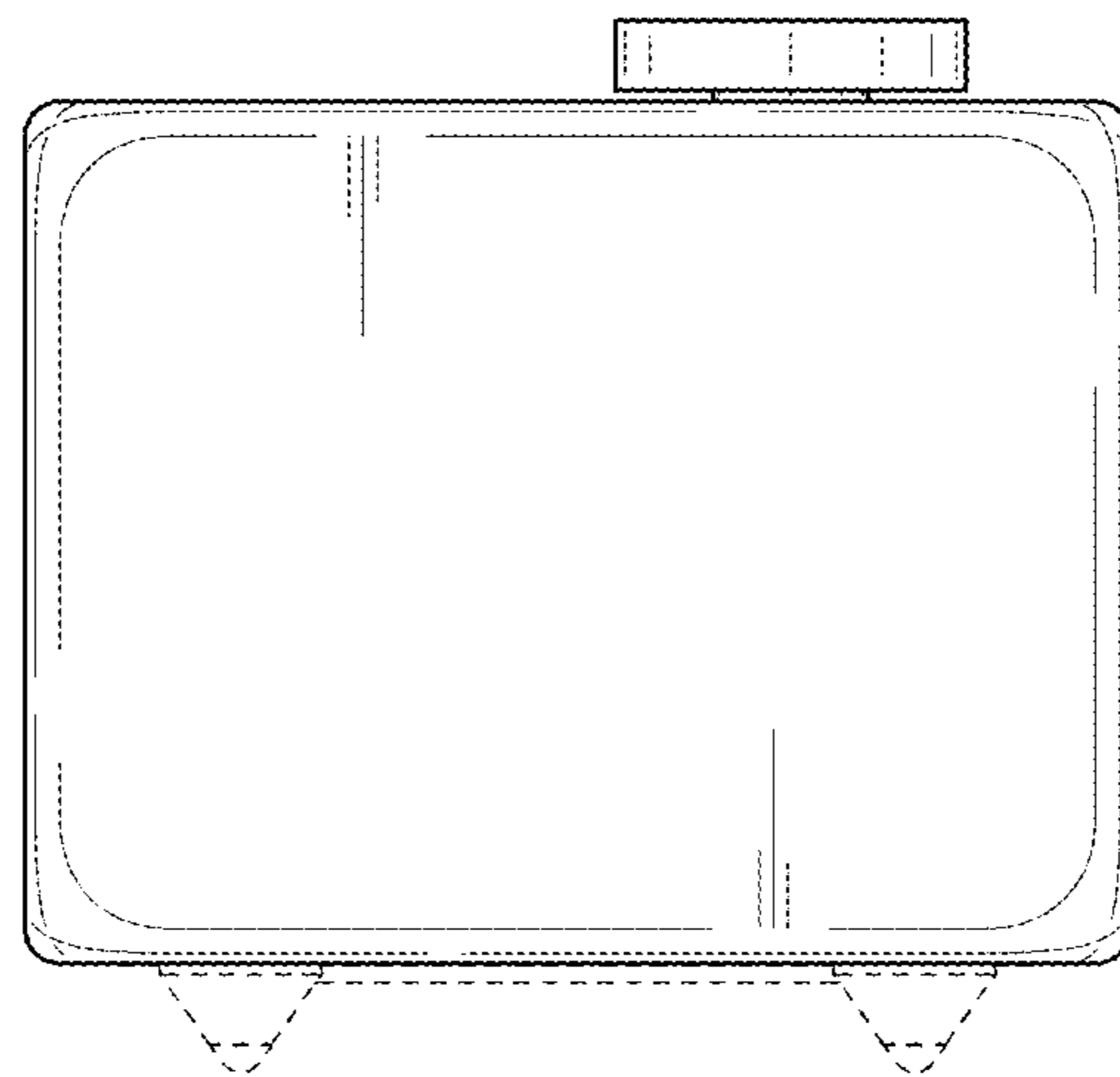


FIG. 5

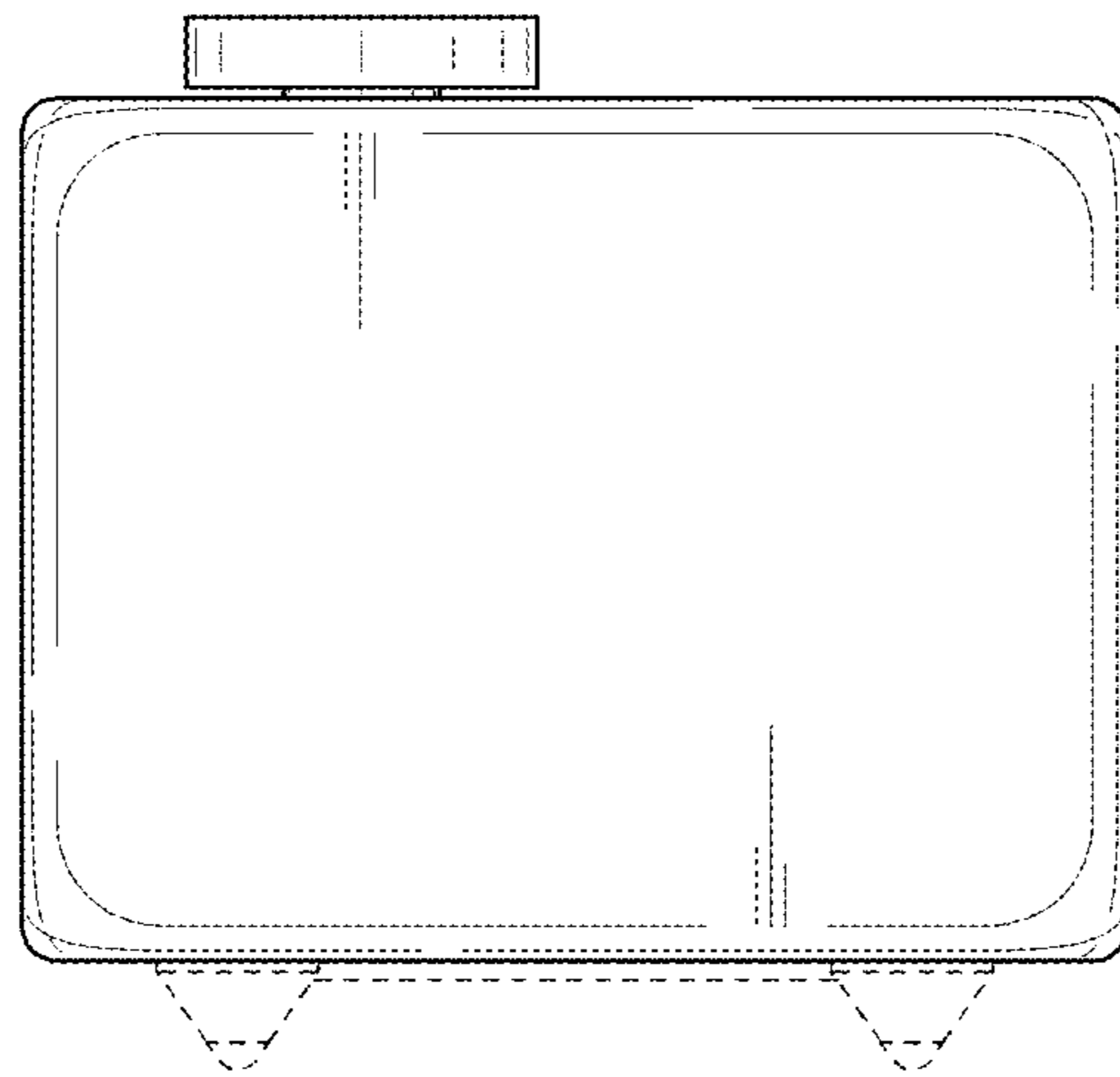


FIG. 6

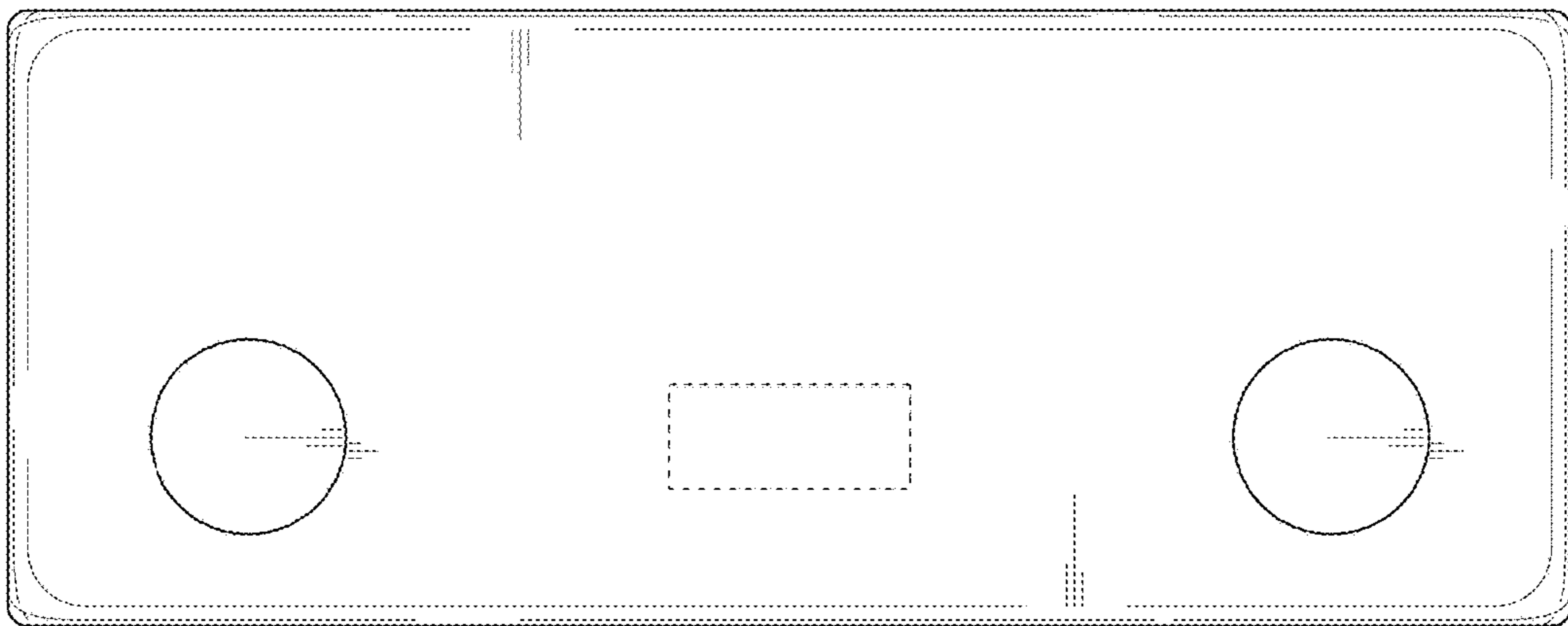


FIG. 7

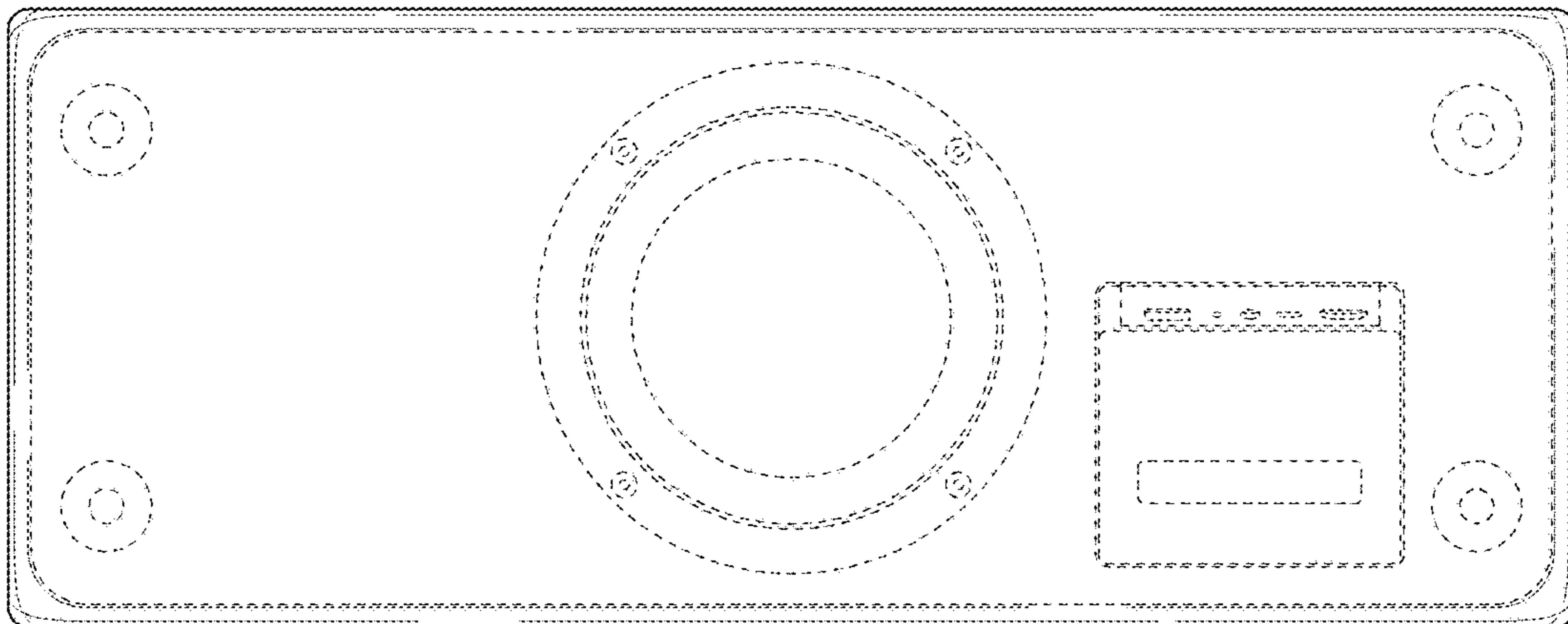


FIG. 8

