



US00D859360S

(12) **United States Design Patent**
Miyoshi et al.

(10) **Patent No.:** **US D859,360 S**

(45) **Date of Patent:** **** Sep. 10, 2019**

(54) **SPEAKER**

(71) Applicant: **Roland Corporation**, Shizuoka (JP)

(72) Inventors: **Naoshi Miyoshi**, Shizuoka (JP);
Norihiko Wada, Shizuoka (JP)

(73) Assignee: **Roland Corporation**, Shizuoka (JP)

(**) Term: **15 Years**

(21) Appl. No.: **29/632,761**

(22) Filed: **Jan. 10, 2018**

(51) **LOC (12) Cl.** **14-01**

(52) **U.S. Cl.**

USPC **D14/214**

(58) **Field of Classification Search**

USPC D14/167, 168, 170–172, 188, 194–198,
D14/204, 207, 209.1, 210–216, 219, 221,
D14/222, 224, 496, 313; 181/143, 144,
181/147, 148, 150, 153, 157, 198, 199;
369/6–12; 381/300–303, 306, 332–334,
381/336, 345, 361–364, 386–388
CPC B60R 11/0217; G06F 1/1688; G10K 9/22;
G10K 11/004; H03F 1/327; H04M 1/03;
H04M 1/035; H04N 5/642; H04N
21/4852; H04S 3/00; H04S 7/30; H04R
1/02; H04R 1/06; H04R 1/021; H04R
1/025; H04R 1/026; H04R 1/028; H04R
1/105; H04R 1/323; H04R 1/403; H04R
1/2803; H04R 1/2834; H04R 5/02; H04R
7/20; H04R 9/06; H04R 9/025; H04R
2201/021; H04R 2400/00; H04R 2400/07;
H04R 2499/11; H04R 2499/13; H04R
2499/15

See application file for complete search history.

(56) **References Cited**

U.S. PATENT DOCUMENTS

D222,476 S * 10/1971 Yoshihiko D14/210
D227,904 S * 7/1973 Takeoka D14/214

D247,236 S * 2/1978 Croup D14/214
D247,489 S * 3/1978 Jabara D14/214
D248,023 S * 5/1978 Minozzi D14/214
D251,973 S * 5/1979 Klopfer D14/214
D258,359 S * 2/1981 Iijima D14/214
D266,759 S * 11/1982 Jabara D14/214
D276,226 S * 11/1984 Del Rosario D14/214
D276,227 S * 11/1984 Nakamura D14/214
D281,597 S * 12/1985 Matushima D14/214

(Continued)

FOREIGN PATENT DOCUMENTS

CN 202602869 * 12/2012 H04R 1/20

OTHER PUBLICATIONS

Roland PM-100 V-Drum Speaker System Standard, MusicArts.com, [online], [site visited May 8, 2019]. URL: <https://www.musicarts.com/roland-pm-100-v-drum-speaker-system-main0383827> (Year: 2019).*

(Continued)

Primary Examiner — T Chase Nelson

Assistant Examiner — Jonathan J. Han

(74) *Attorney, Agent, or Firm* — JCIPRNET

(57) **CLAIM**

The ornamental design for a speaker, as shown and described.

DESCRIPTION

FIG. 1 is a perspective view of a speaker showing our new design;

FIG. 2 is a front view thereof;

FIG. 3 is a rear view thereof;

FIG. 4 is a left side view thereof;

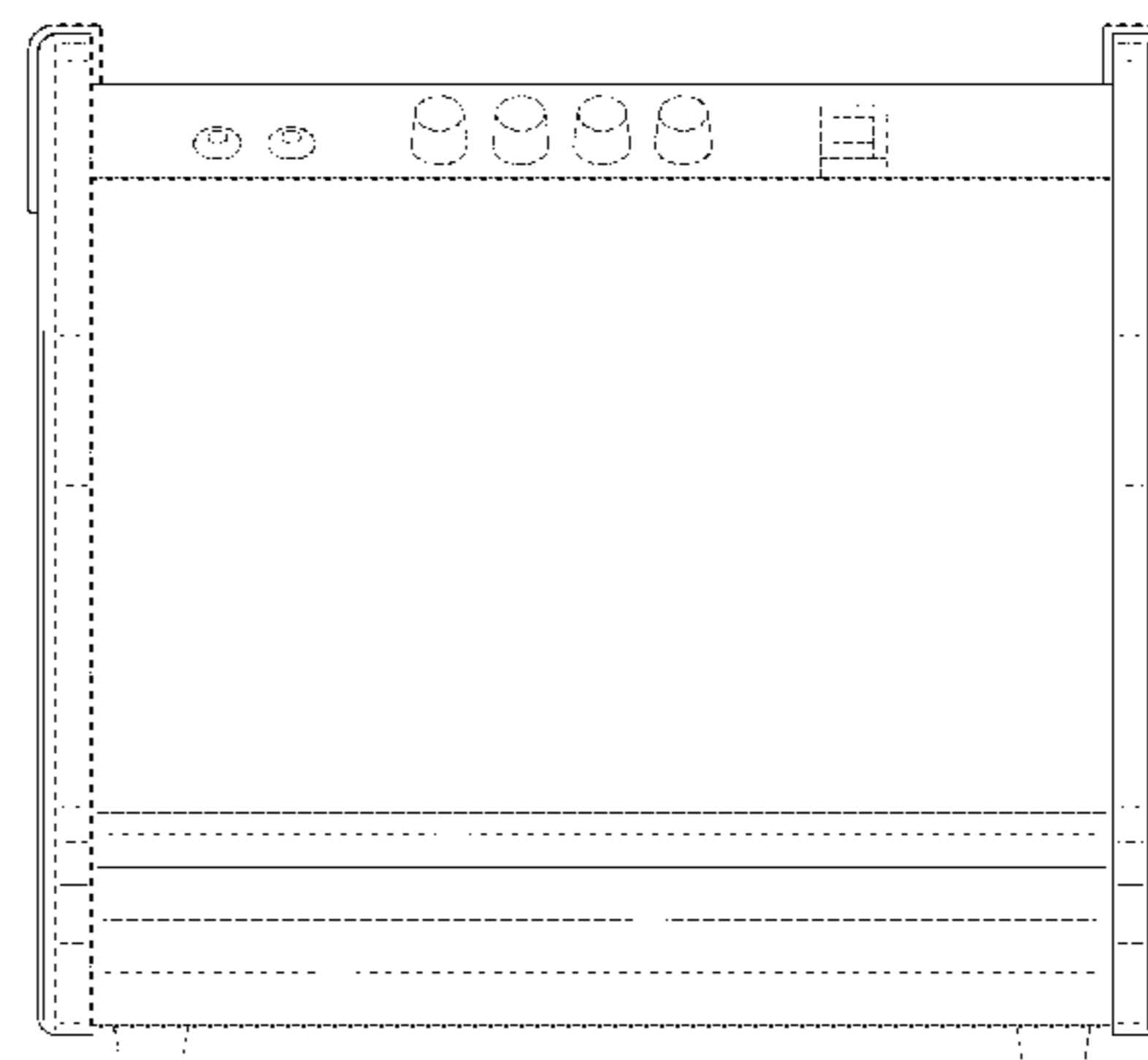
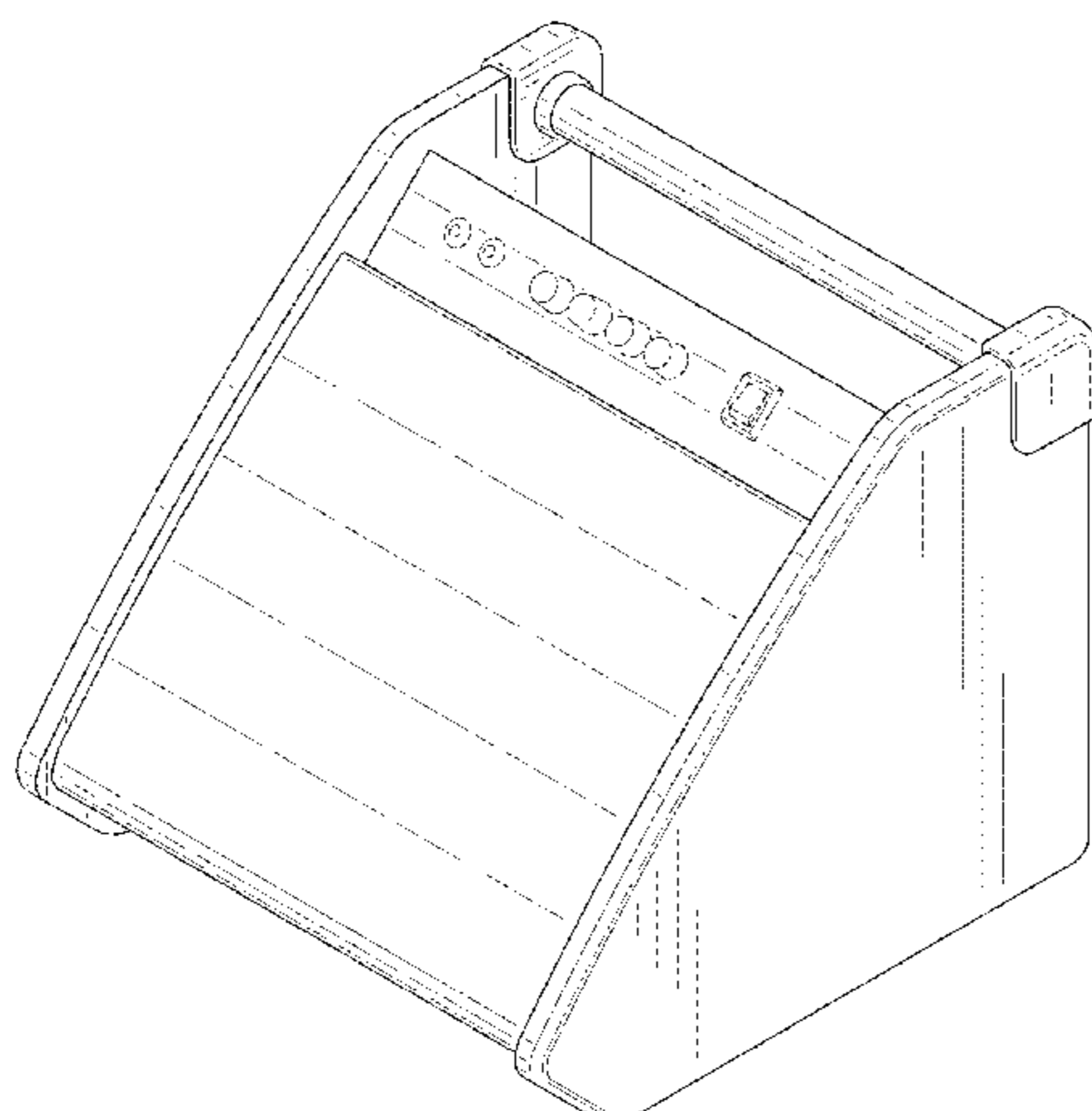
FIG. 5 is a right side view thereof;

FIG. 6 is a top view thereof; and,

FIG. 7 is a bottom view thereof.

The dashed broken lines illustrate unclaimed portions of the speaker and form no part of the claimed design.

1 Claim, 7 Drawing Sheets



(56)

References Cited

U.S. PATENT DOCUMENTS

D294,494 S * 3/1988 Kountz D14/214
 D318,054 S * 7/1991 Kikutani D14/210
 D342,522 S * 12/1993 Kurachi D14/213
 D343,676 S * 1/1994 Lim D14/214
 D394,263 S * 5/1998 Fischer D14/214
 D431,551 S * 10/2000 Wegner D14/210
 D435,538 S * 12/2000 Osborne D14/214
 D443,604 S * 6/2001 Levine D14/214
 D500,305 S * 12/2004 Lin D14/215
 D552,081 S * 10/2007 Yano D13/110
 D568,869 S * 5/2008 Anthony D14/214
 D568,870 S * 5/2008 Anthony D14/214
 D600,234 S * 9/2009 Suzuki D14/214
 D611,455 S * 3/2010 Wang D14/214
 D673,928 S * 1/2013 Desrosiers D14/204
 D676,414 S * 2/2013 Holzer D14/172
 D719,933 S * 12/2014 Kane D14/194

8,967,323 B1 * 3/2015 Grenier H04R 1/403
 181/198
 D801,304 S * 10/2017 Kiafoulis D14/214
 D808,351 S * 1/2018 Won D14/125
 D837,874 S * 1/2019 Sawada D17/22
 10,259,087 B2 * 4/2019 Ueda B23Q 17/2428
 2009/0226019 A1 * 9/2009 Koren H04R 1/2819
 381/345

OTHER PUBLICATIONS

Roland Drum Monitor PM-100, Amazon.com, Date first listed on Amazon: Jan. 25, 2018, [online], [site visited May 8, 2019]. URL: <https://www.amazon.com/Roland-PM-100-Drum-Monitor/dp/B0799RWDYF> (Year: 2018).*

The Best Battery Powered Guitar Amps—\$65 to \$400, Roland Cube Street—5W, Gearank.com, Submitted by Mason Hoberg on Jan. 29, 2018, [online], [site visited May 8, 2019]. URL: <https://www.gearank.com/guides/battery-powered-guitar-amps> (Year: 2018).*

* cited by examiner

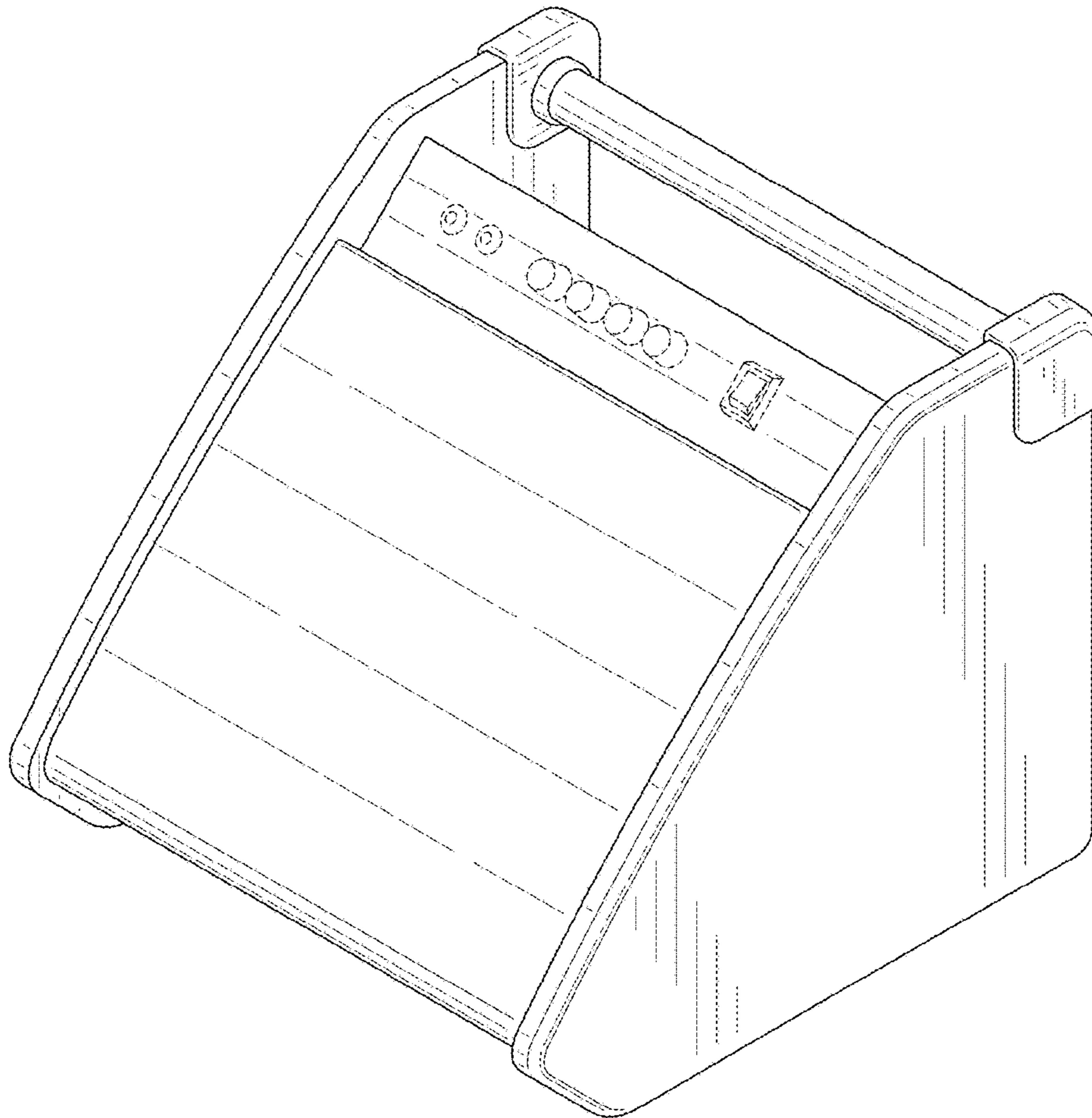


FIG. 1

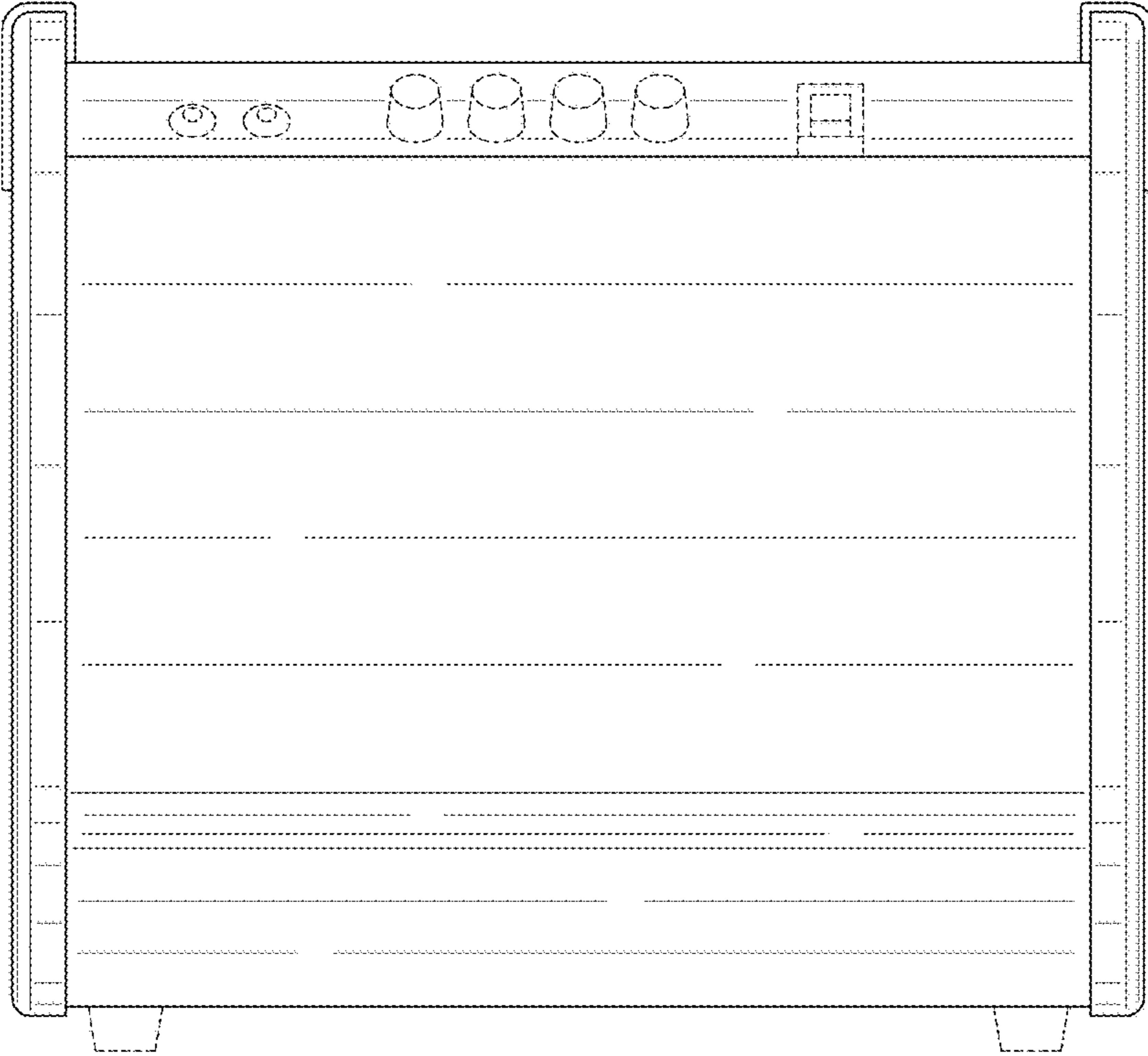


FIG. 2

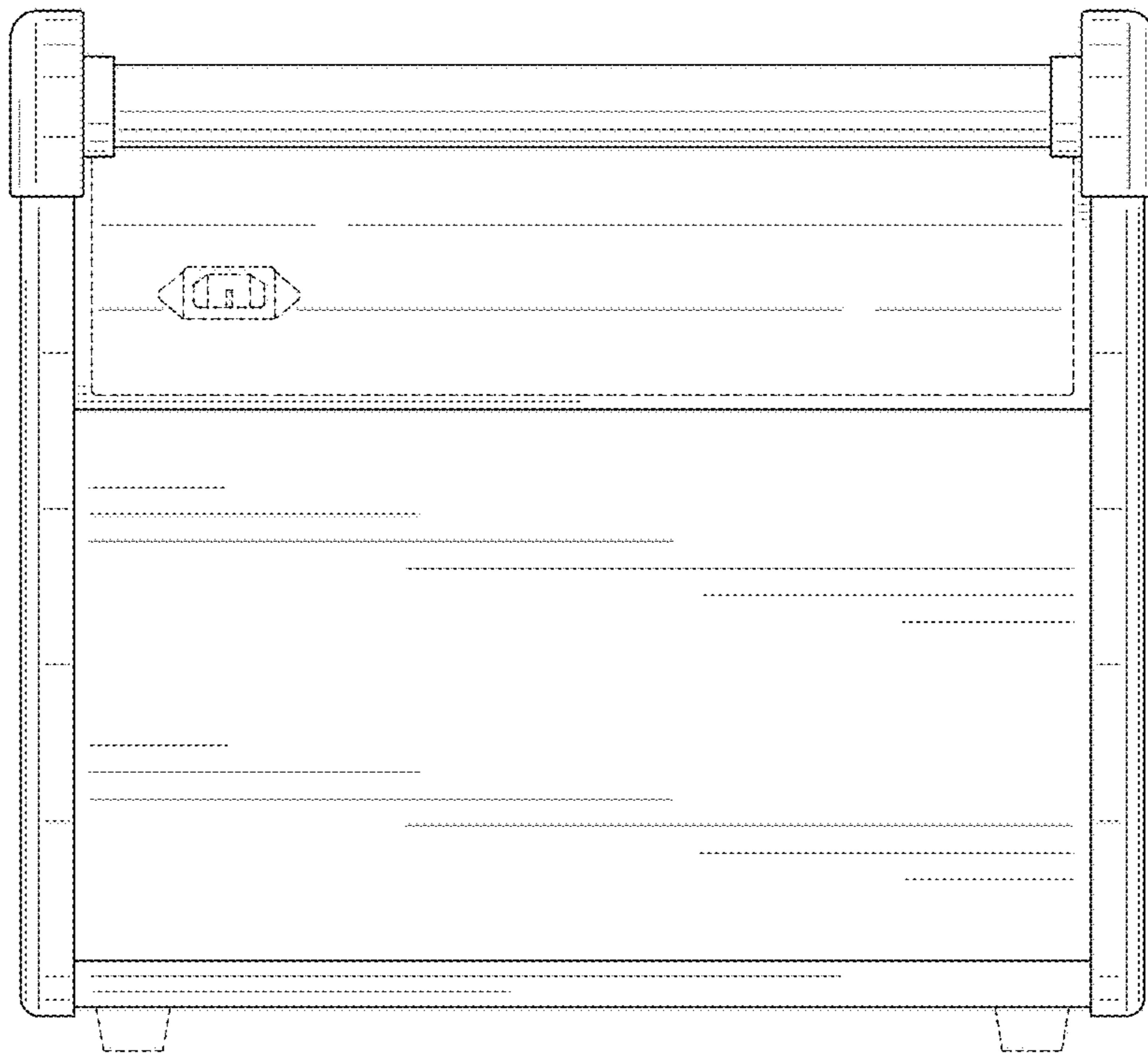


FIG. 3

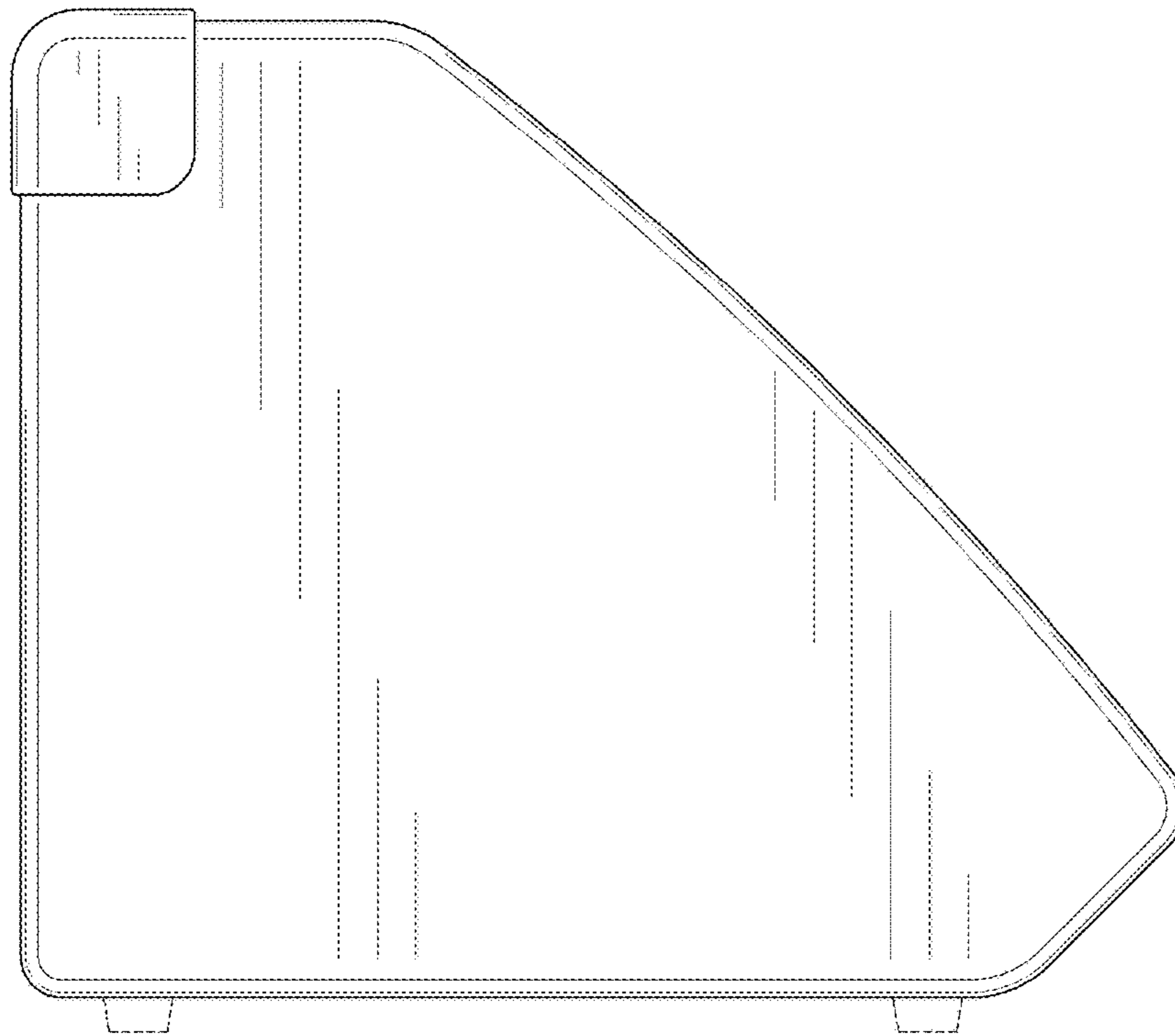


FIG. 4

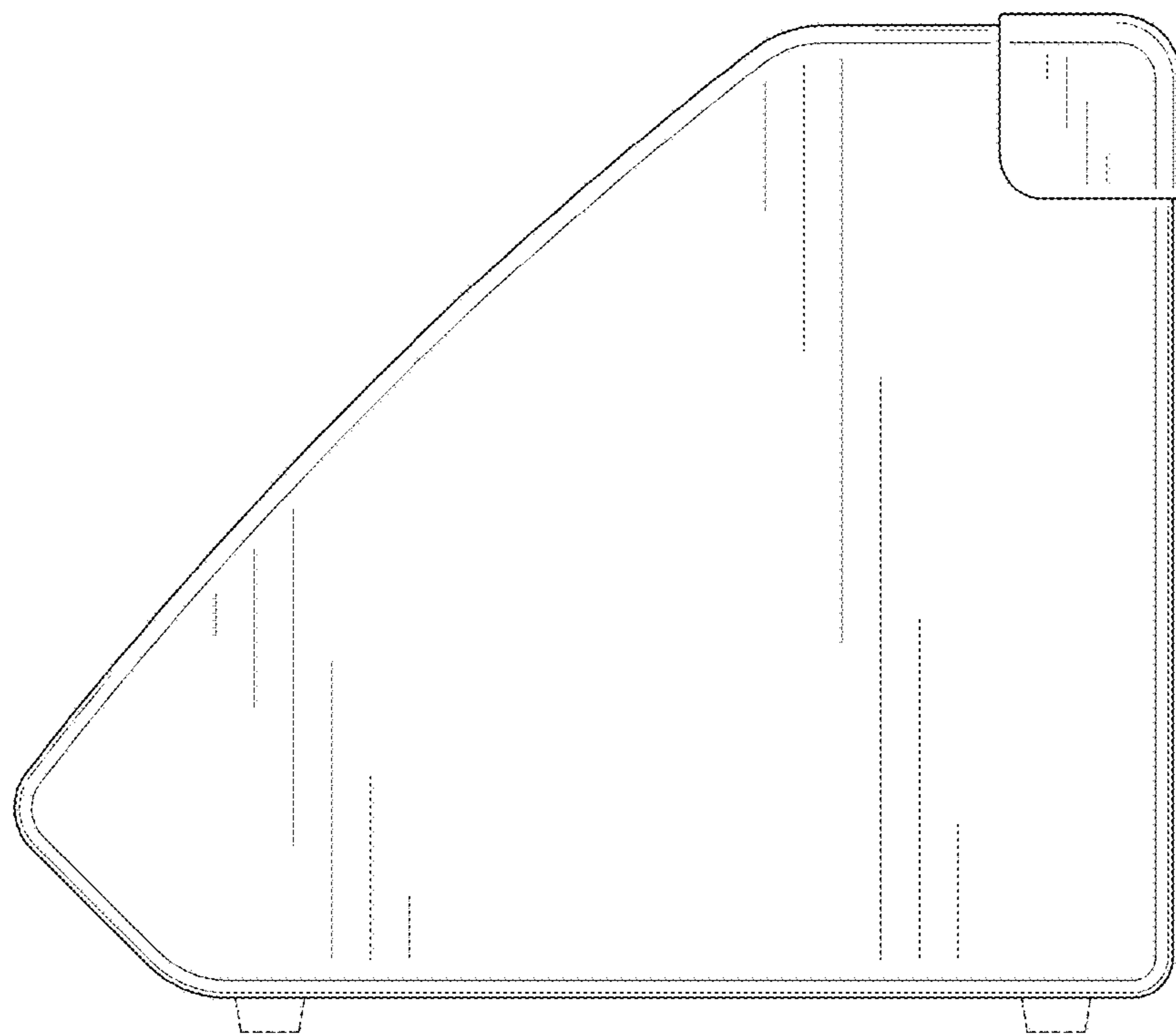


FIG. 5

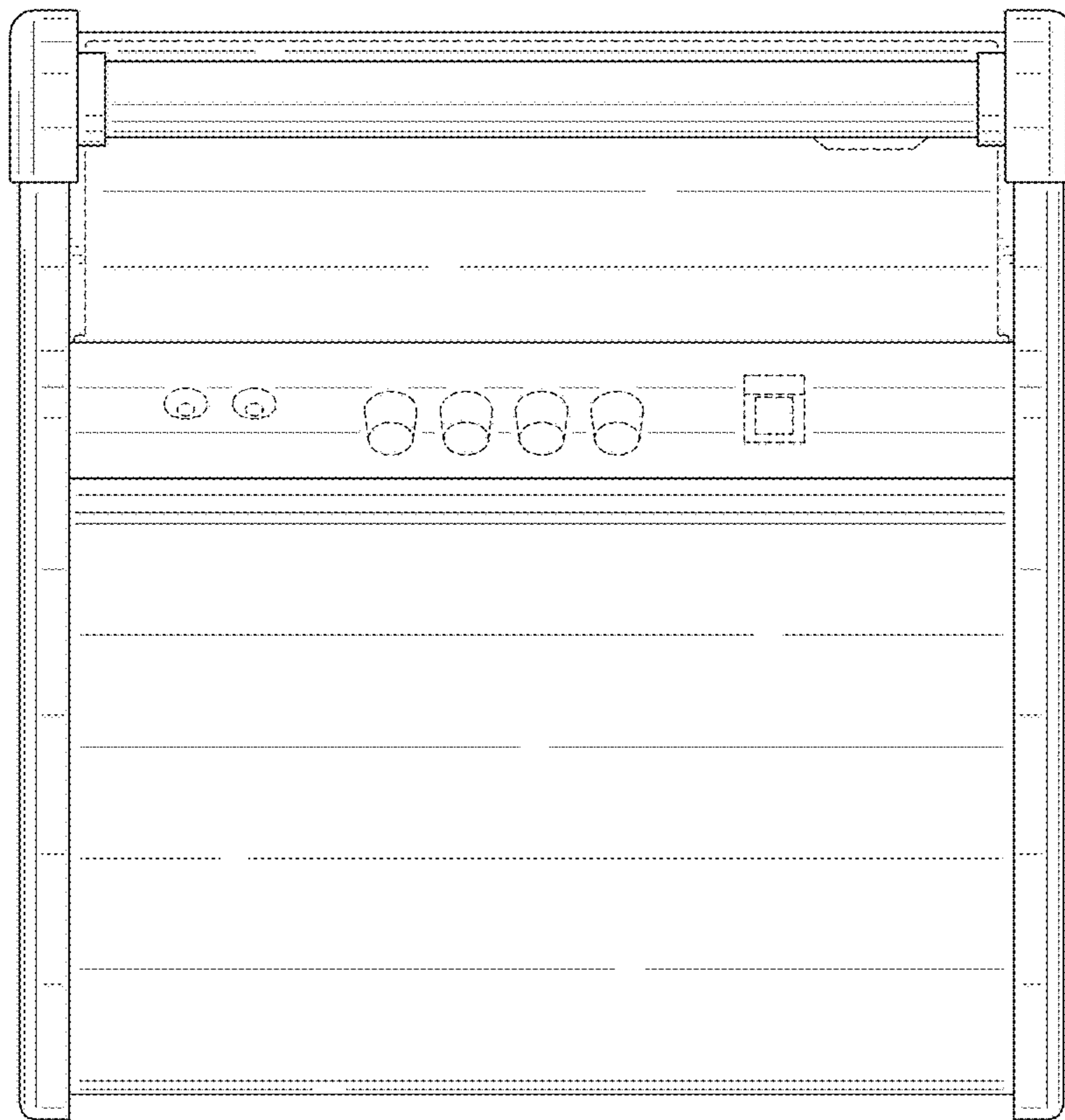


FIG. 6

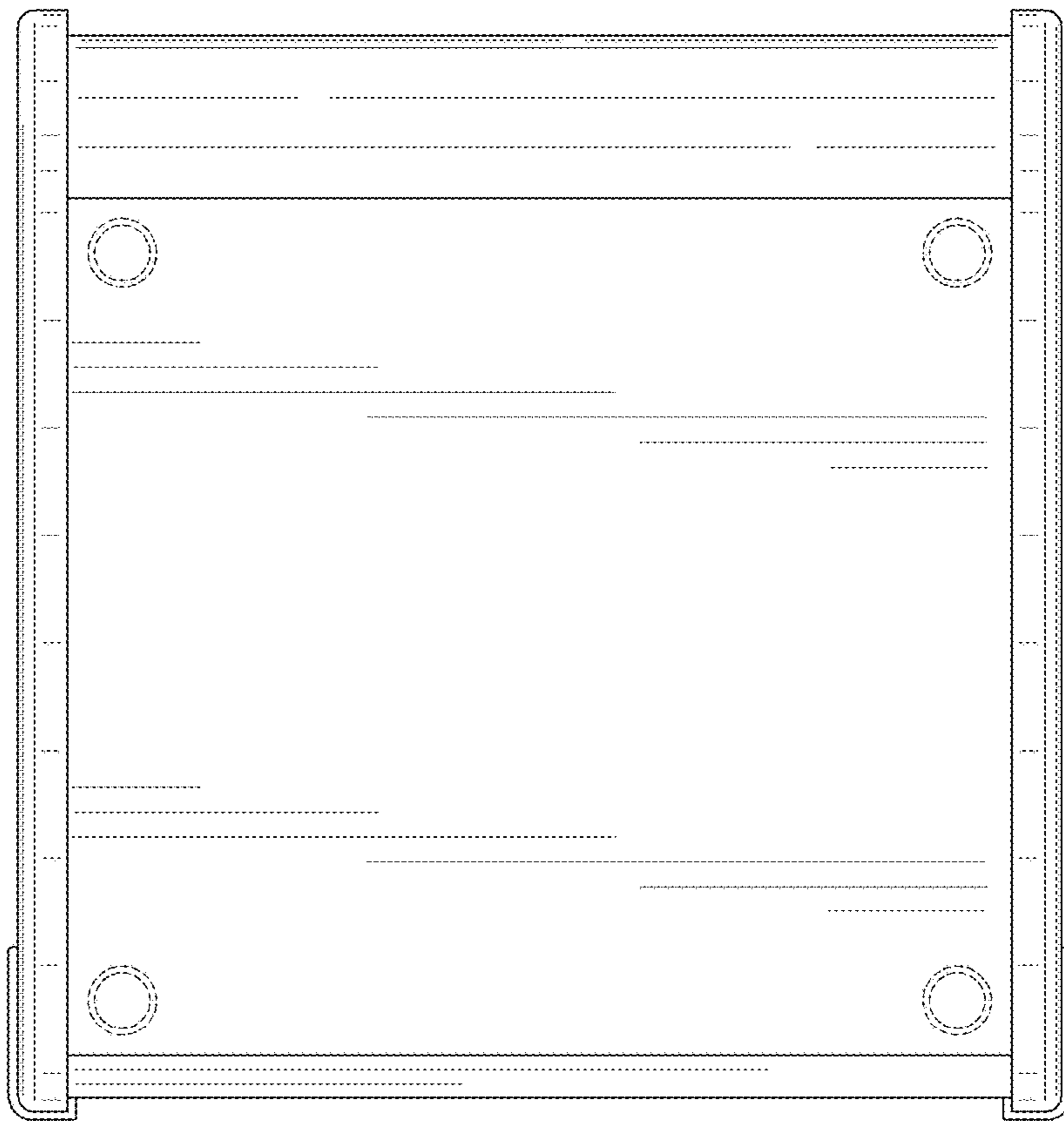


FIG. 7