



US00D859355S

(12) **United States Design Patent**  
**Hu**

(10) **Patent No.:** **US D859,355 S**

(45) **Date of Patent:** **\*\* Sep. 10, 2019**

(54) **HEADPHONES**

(71) Applicant: **Peilin Hu**, Guangzhou (CN)

(72) Inventor: **Peilin Hu**, Guangzhou (CN)

(\*\*) Term: **15 Years**

(21) Appl. No.: **29/631,294**

(22) Filed: **Dec. 28, 2017**

(51) **LOC (12) Cl.** ..... **14-01**

(52) **U.S. Cl.**

USPC ..... **D14/205**; D14/206

(58) **Field of Classification Search**

USPC ..... D14/205, 188, 192, 197, 198, 206, 226;  
D29/112; 2/209; 181/129, 130, 135;  
379/430, 431; 381/380, 381, 374, 370;  
455/90.3, 575.1, 569.1

CPC .... H04R 1/1066; H04R 1/1016; H04R 25/00;  
H04R 5/033; H04R 5/0335

See application file for complete search history.

(56) **References Cited**

**U.S. PATENT DOCUMENTS**

- 1,606,165 A \* 11/1926 Glenn ..... H01B 7/04  
123/633
- 3,104,398 A \* 9/1963 Palmaer ..... A61F 11/14  
2/209
- 3,488,457 A \* 1/1970 Lahti ..... H04R 1/1008  
381/371
- 3,796,840 A \* 3/1974 Ohta ..... H04R 1/1075  
381/19
- D237,508 S \* 11/1975 Lung ..... D14/168
- 3,984,885 A \* 10/1976 Yoshimura ..... H04R 1/1075  
381/309
- D244,037 S \* 4/1977 Warner ..... D14/205
- 4,175,217 A \* 11/1979 Williams ..... H04M 1/23  
379/430
- D254,616 S \* 4/1980 Tabata ..... D14/205
- D254,910 S \* 5/1980 Lung ..... D14/168

- D266,417 S \* 10/1982 Perez ..... D14/165
- D276,855 S \* 12/1984 Falco ..... D29/112
- D286,632 S \* 11/1986 Teunis ..... D14/205
- D298,670 S \* 11/1988 Palmaer ..... D14/205
- 4,802,243 A \* 2/1989 Griffiths ..... A61F 9/025  
2/422
- D302,429 S \* 7/1989 Leer ..... D14/137
- 4,882,745 A \* 11/1989 Silver ..... H04M 1/05  
455/575.2
- 5,068,923 A \* 12/1991 Sjoqvist ..... A61F 11/14  
181/129
- 5,113,428 A \* 5/1992 Fitzgerald ..... H04B 1/385  
379/430
- D326,855 S \* 6/1992 Bose ..... D14/205
- 5,185,807 A \* 2/1993 Bergin ..... H04R 1/1066  
181/128
- D377,174 S \* 1/1997 Runquist ..... D14/206
- D394,436 S \* 5/1998 Hall ..... D14/206
- 5,751,825 A \* 5/1998 Myers ..... G04F 5/025  
381/118
- D402,575 S \* 12/1998 Jones ..... D10/106.1

(Continued)

*Primary Examiner* — Paula Allen Greene

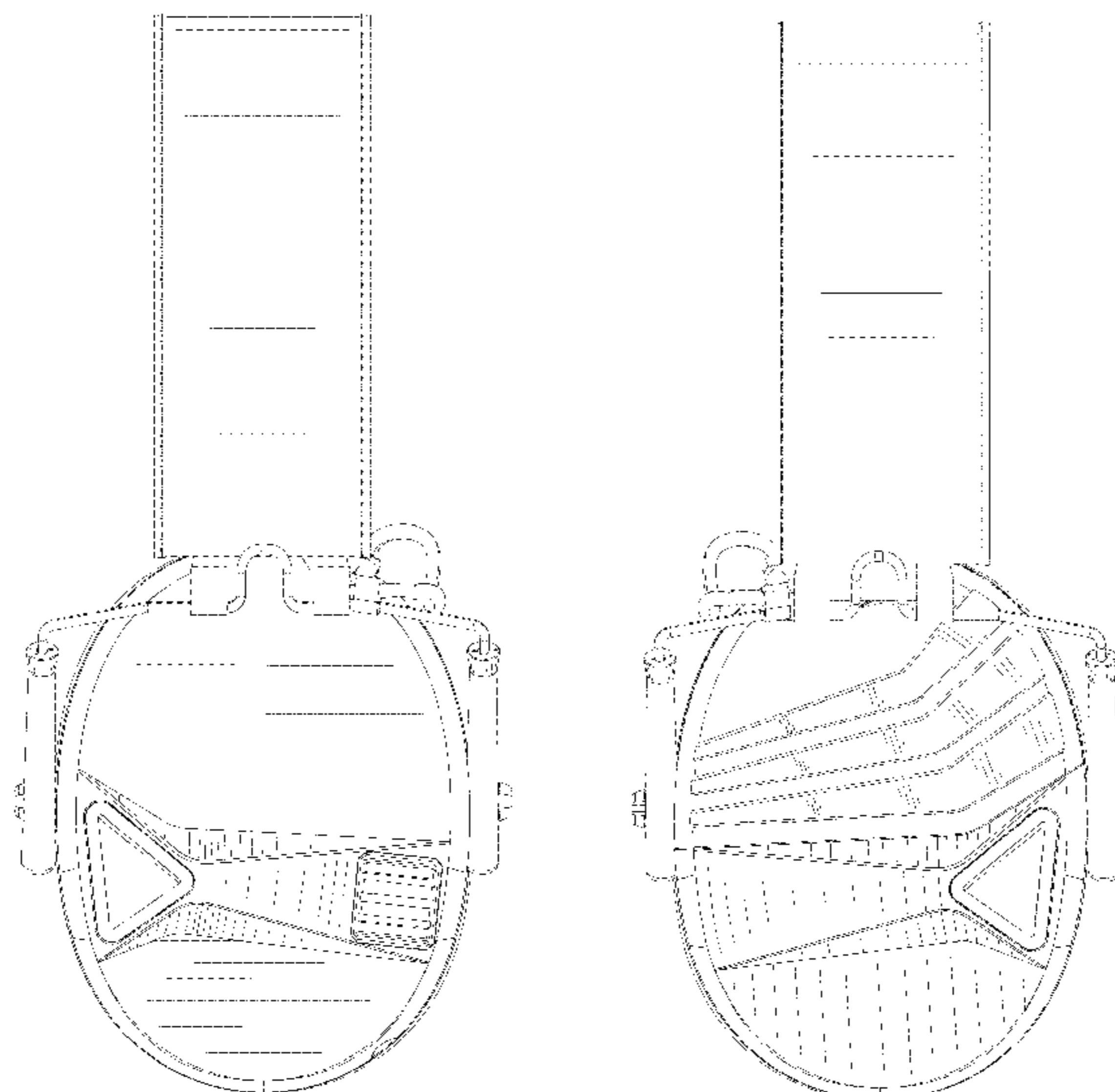
(57) **CLAIM**

The ornamental design for headphones, as shown and described.

**DESCRIPTION**

FIG. 1 is a front elevational view of headphones showing my new design;  
 FIG. 2 is a rear elevational view thereof;  
 FIG. 3 is a left side elevational view thereof;  
 FIG. 4 is a right side elevational view thereof;  
 FIG. 5 is a top plan view thereof;  
 FIG. 6 is a bottom plan view thereof;  
 FIG. 7 is a perspective view thereof; and,  
 FIG. 8 is another perspective view thereof.  
 The claimed design is shown in the figures by solid lines as well as by dashed lines that represent stitching.

**1 Claim, 8 Drawing Sheets**



(56)

References Cited

U.S. PATENT DOCUMENTS

D406,140 S \* 2/1999 Hall ..... D14/205  
 D409,615 S \* 5/1999 Sloan ..... D14/205  
 D410,238 S \* 5/1999 Sloan ..... D14/205  
 D411,200 S \* 6/1999 Almqvist ..... D14/192  
 D413,413 S \* 8/1999 Dillon ..... D14/205  
 D414,483 S \* 9/1999 Cox ..... D14/402  
 D418,509 S \* 1/2000 Zeitman ..... D14/192  
 6,055,312 A \* 4/2000 Pralus ..... H04M 1/05  
 379/430  
 D425,888 S \* 5/2000 Fitzgerald ..... D14/142  
 D429,229 S \* 8/2000 Fitzgerald ..... D14/142  
 D434,191 S \* 11/2000 Emilsson ..... D29/112  
 D441,734 S \* 5/2001 Fitzgerald ..... D14/142  
 D449,290 S \* 10/2001 Taylor ..... D14/206  
 D456,379 S \* 4/2002 Fitzgerald ..... D14/142  
 D491,917 S \* 6/2004 Asai ..... D14/205  
 D497,608 S \* 10/2004 Birgersson ..... D14/205  
 D509,323 S \* 9/2005 Emilsson ..... D29/112  
 6,965,681 B2 \* 11/2005 Almqvist ..... H04R 1/1041  
 381/371  
 7,114,823 B2 \* 10/2006 McCullough ..... F21V 33/0056  
 362/105

D548,221 S \* 8/2007 Huang ..... D14/205  
 D592,639 S \* 5/2009 Kuh ..... D14/205  
 D605,629 S \* 12/2009 Suwalski ..... D14/206  
 D613,266 S \* 4/2010 Barry ..... D14/205  
 D615,528 S \* 5/2010 Kuo ..... D14/206  
 D633,894 S \* 3/2011 Meyer ..... D14/205  
 8,139,807 B2 \* 3/2012 Reiss ..... H04R 1/1083  
 381/371  
 D658,630 S \* 5/2012 Gondo ..... D14/205  
 D672,744 S \* 12/2012 Scarpa ..... D14/205  
 D691,111 S \* 10/2013 Lee ..... D14/206  
 D698,748 S \* 2/2014 Naitou ..... D14/205  
 8,743,533 B2 \* 6/2014 Stanley ..... H01H 9/0228  
 361/679.01  
 D713,375 S \* 9/2014 Dedinas ..... D14/206  
 D726,146 S \* 4/2015 Binder ..... D14/205  
 D763,225 S \* 8/2016 Bin ..... D14/205  
 D788,071 S \* 5/2017 Logan ..... D14/205  
 D791,102 S \* 7/2017 Katsuno ..... D14/205  
 D791,734 S \* 7/2017 Ou ..... D14/206  
 D824,362 S \* 7/2018 Probst ..... D14/206  
 2002/0003889 A1 \* 1/2002 Fischer ..... H04R 1/1041  
 381/370  
 2011/0194721 A1 \* 8/2011 Schmidt ..... H04R 1/1066  
 381/370

\* cited by examiner

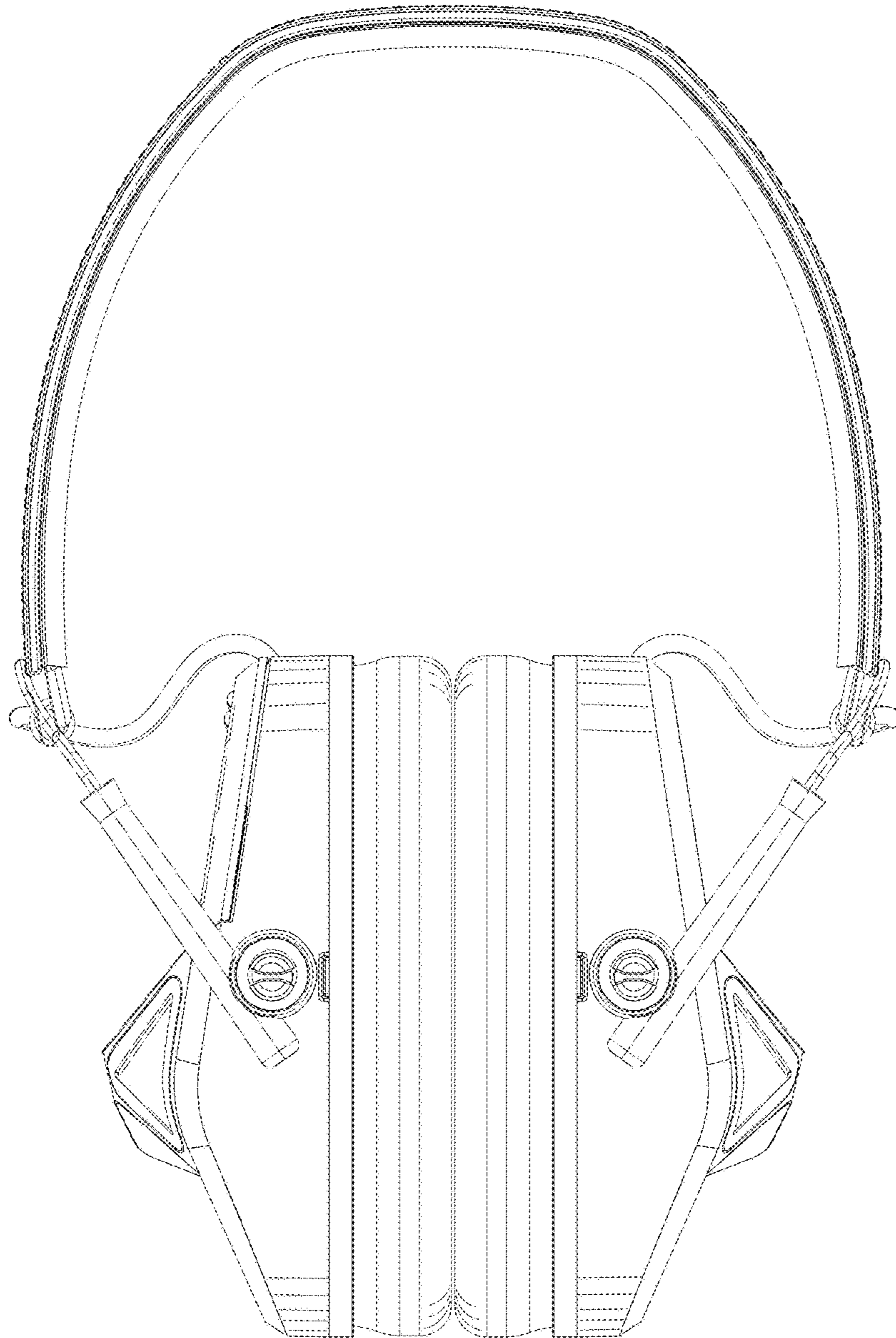


FIG. 1

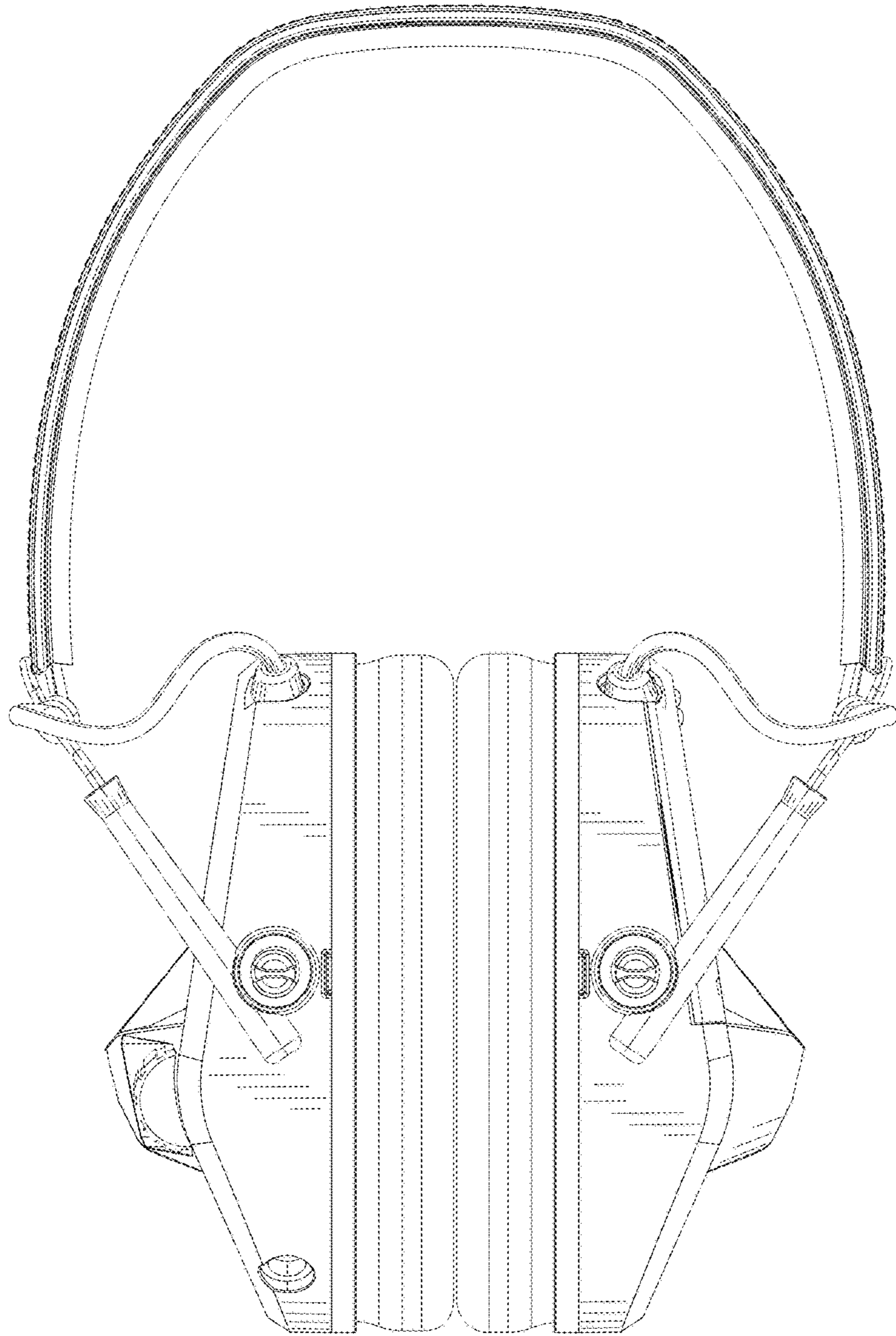


FIG.2

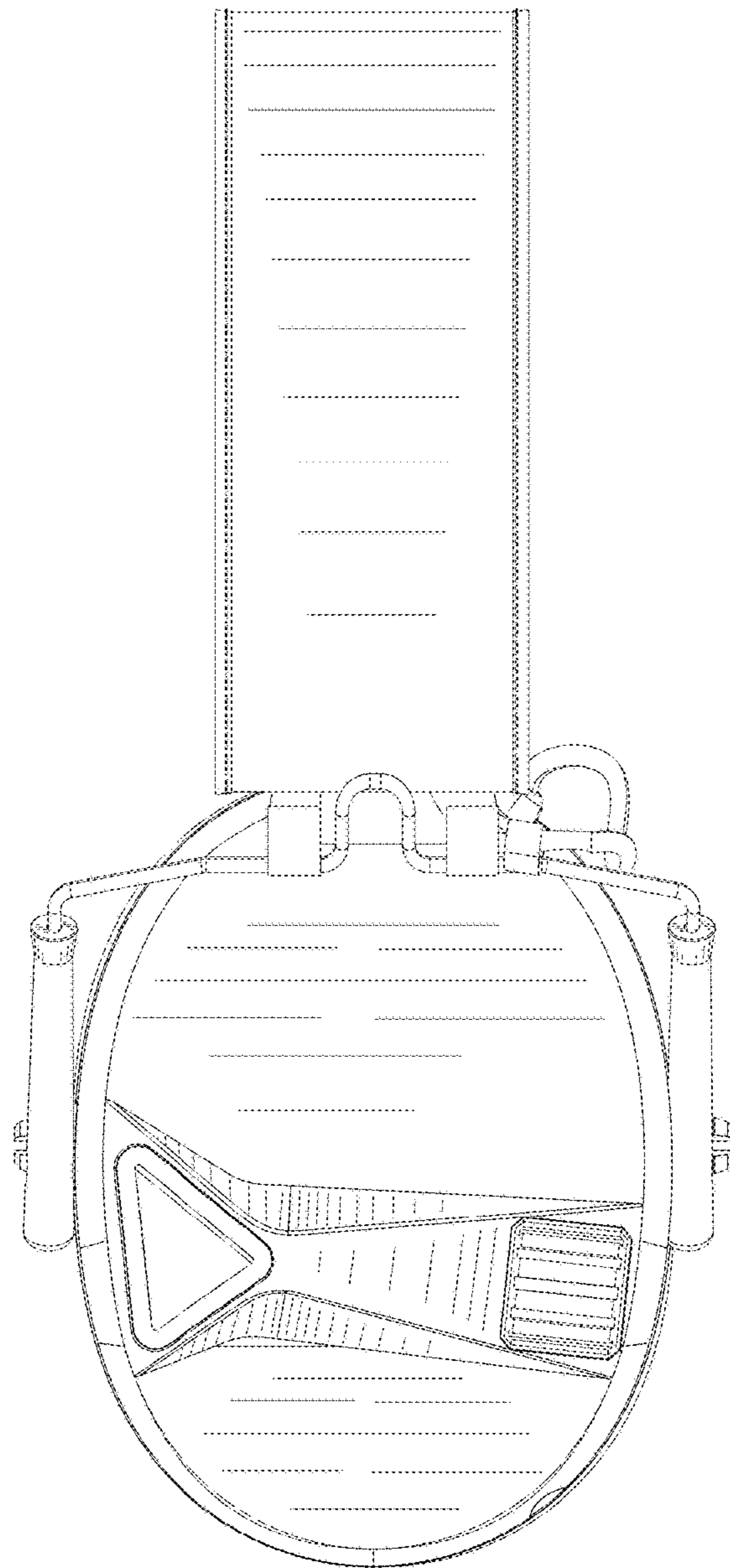


FIG.3

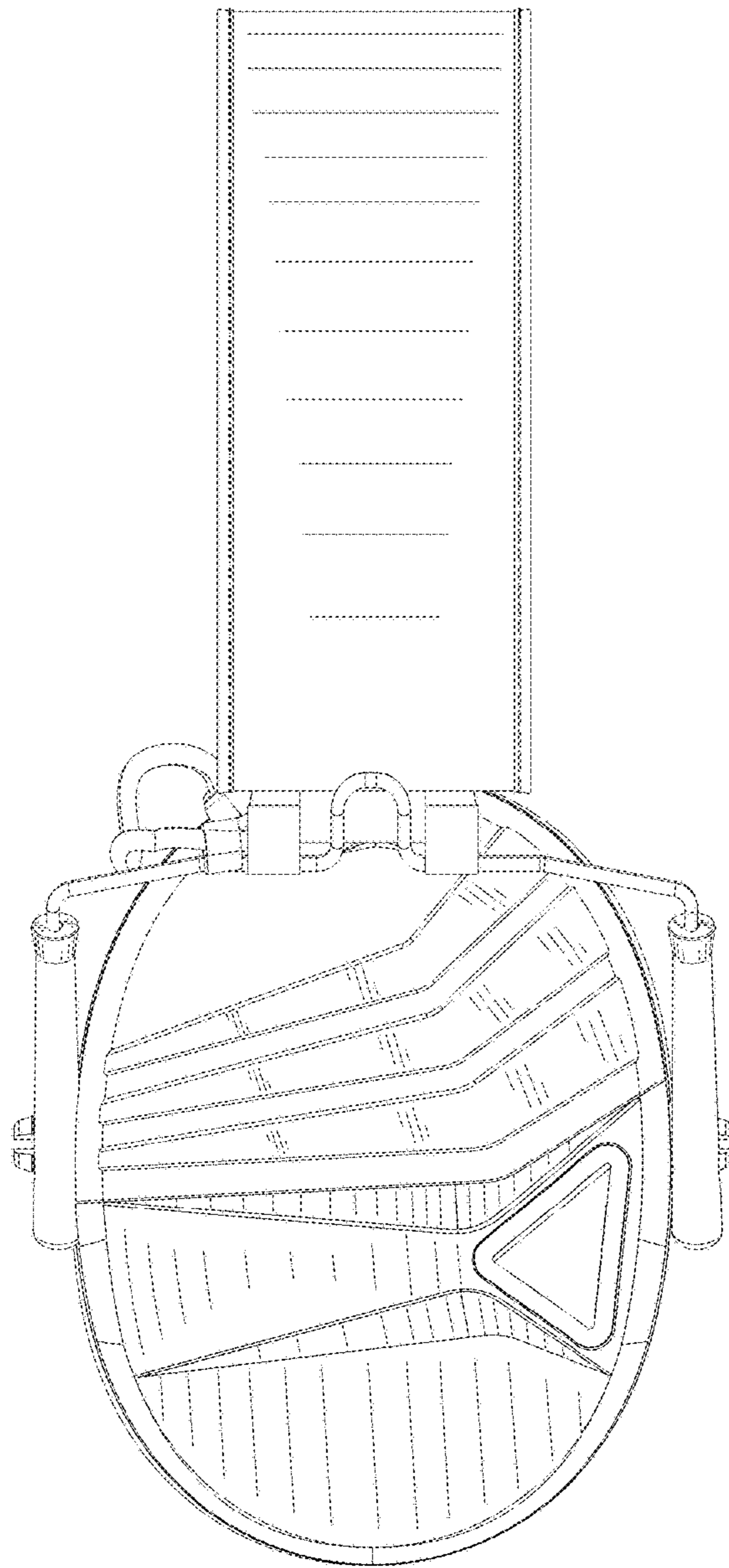


FIG.4

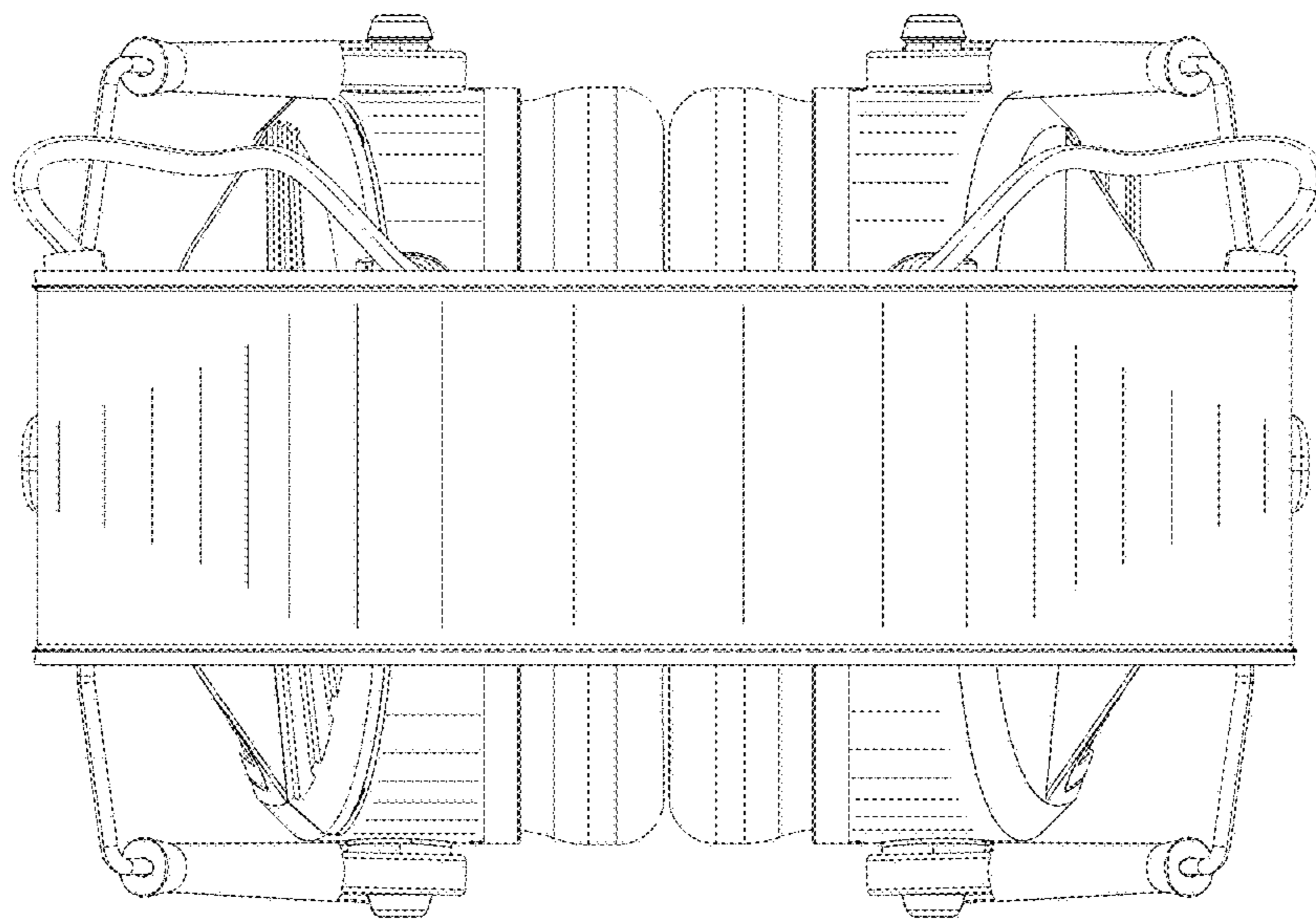


FIG.5

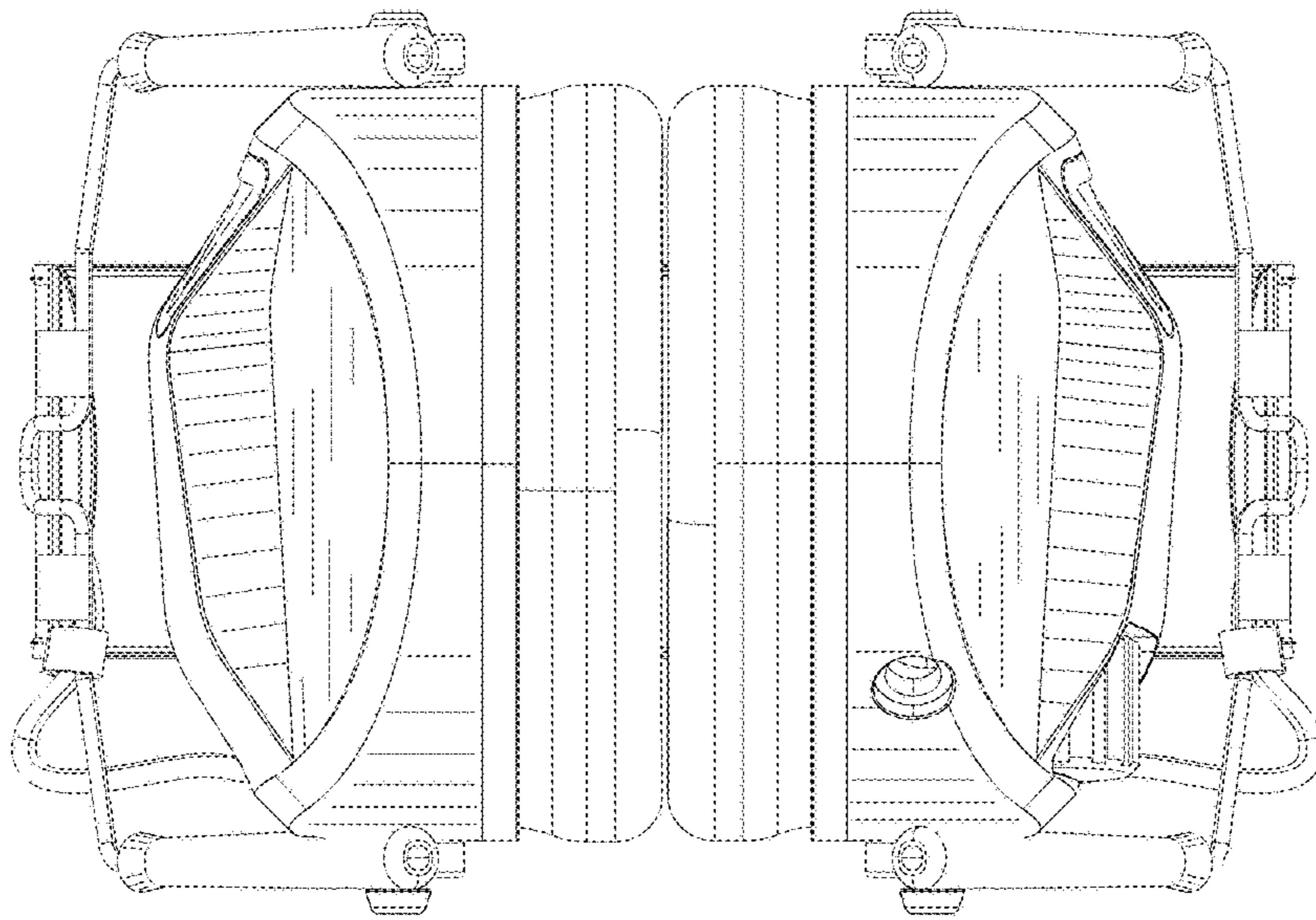


FIG.6



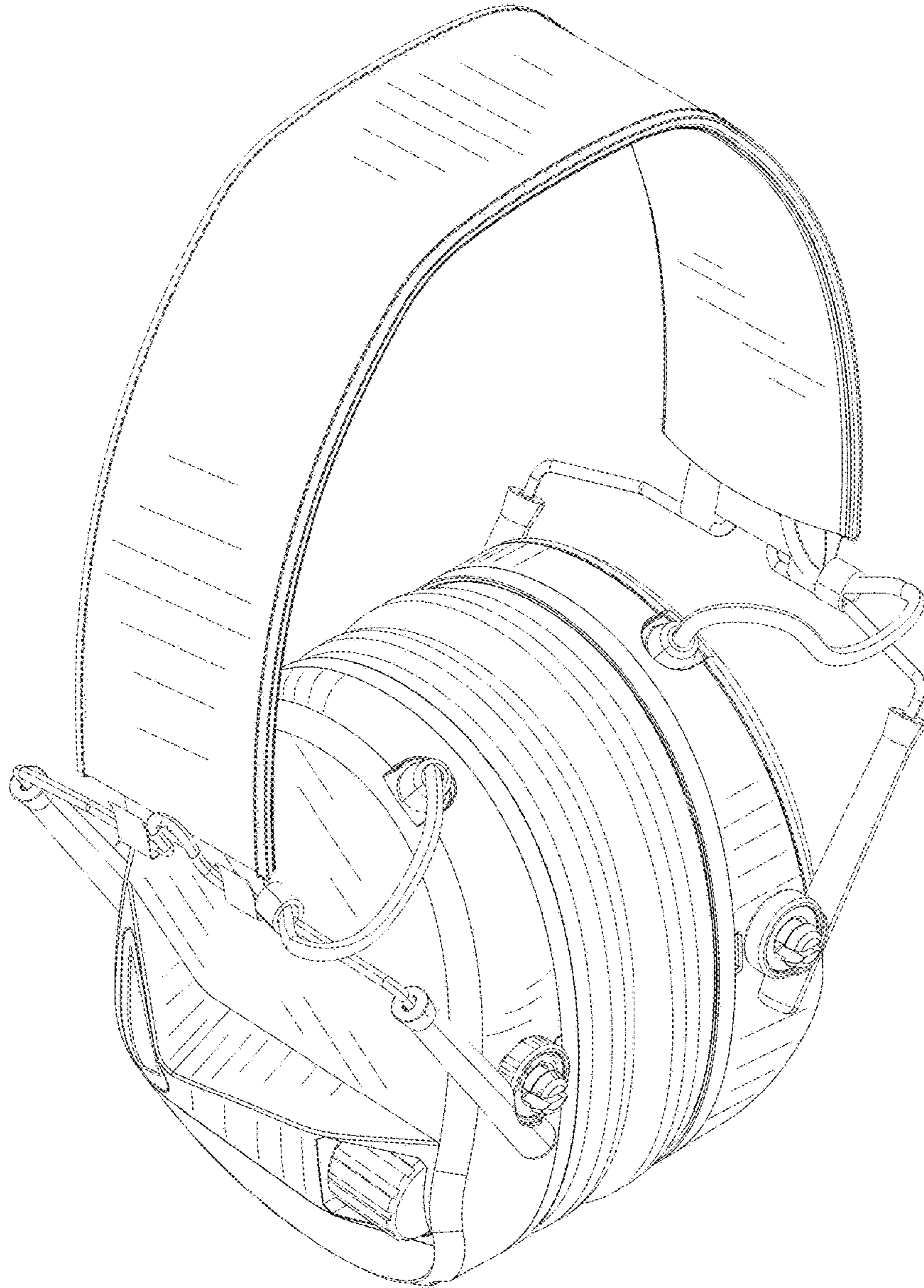


FIG.7

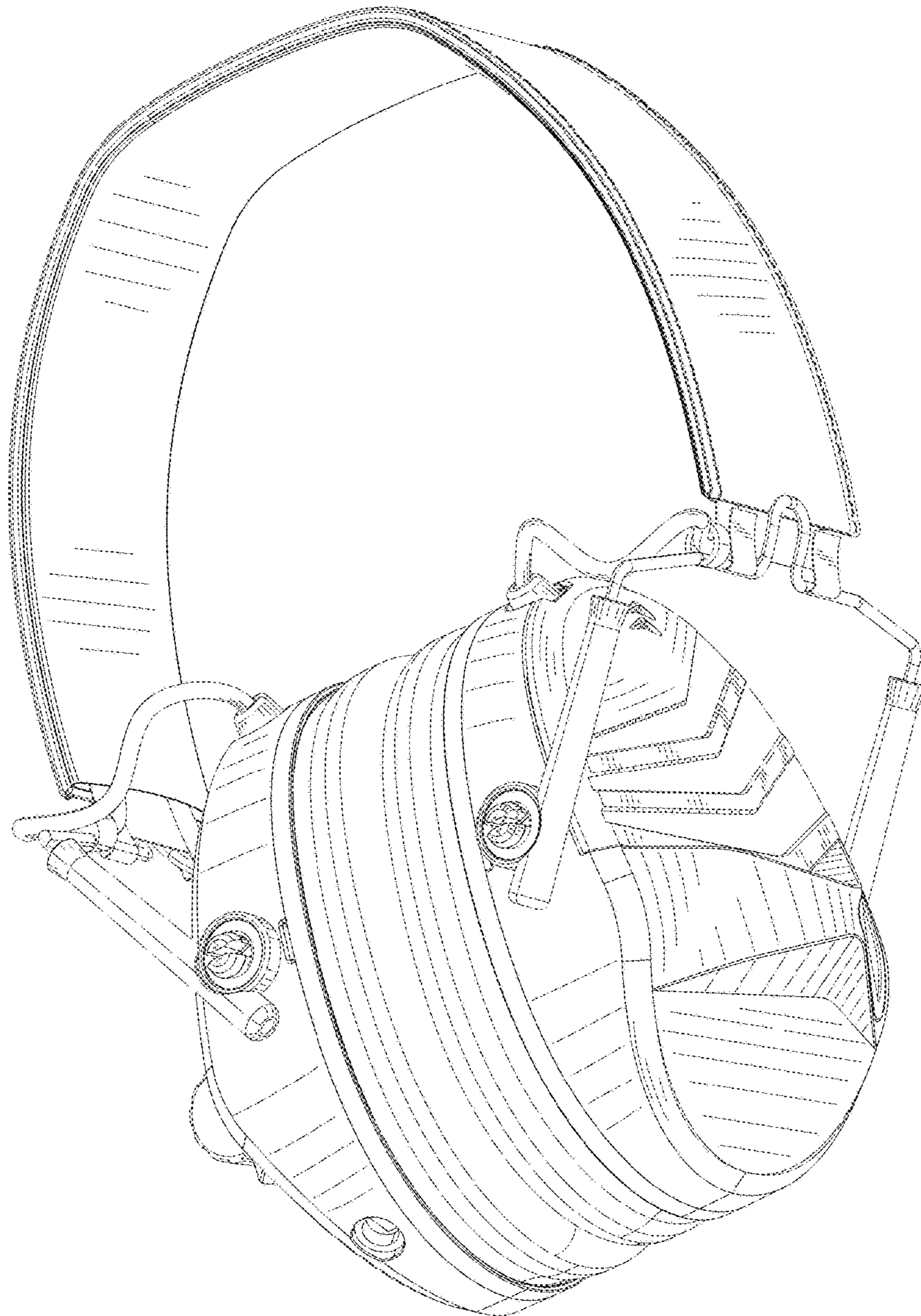


FIG.8