



US00D859354S

(12) **United States Design Patent** (10) **Patent No.:** **US D859,354 S**  
**Xia** (45) **Date of Patent:** **\*\* Sep. 10, 2019**

(54) **HEADSET**  
(71) Applicant: **SHENZHEN JIUHU TECHNOLOGY CO., LTD**, Shenzhen, Guangdong Province (CN)  
(72) Inventor: **Ji Xia**, Shenzhen (CN)  
(73) Assignee: **Shenzhen Jiuhu Technology Co., Ltd.**, Shenzhen (CN)  
(\*\*) Term: **15 Years**  
(21) Appl. No.: **29/631,022**  
(22) Filed: **Dec. 26, 2017**  
(30) **Foreign Application Priority Data**

Nov. 2, 2017 (CN) ..... 2017 3 0535203

(51) **LOC (12) Cl.** ..... **14-01**  
(52) **U.S. Cl.**  
USPC ..... **D14/205**

(58) **Field of Classification Search**  
USPC ..... D14/205, 188, 192; D29/112; 181/129, 181/130, 135; 379/430, 431; 381/380, 381/381, 374, 74, 375; 455/90.3, 575.1, 455/569.1  
CPC .... H04R 25/00; H04R 1/1066; H04R 1/1016; H04R 5/033; H04R 5/0335  
See application file for complete search history.

(56) **References Cited**

**U.S. PATENT DOCUMENTS**

1,087,704 A \* 2/1914 Adams-Randall ... H04R 5/0335 381/378  
D254,183 S \* 2/1980 Doodson ..... D14/205  
D328,074 S \* 7/1992 Yamazaki ..... D14/205  
D328,461 S \* 8/1992 Daido ..... D14/205  
5,293,647 A \* 3/1994 Mirmilshsteyn ..... H04R 1/10 2/209

D351,172 S \* 10/1994 Nakamura ..... D14/205  
5,862,241 A \* 1/1999 Nelson ..... H04R 1/105 381/374  
D431,550 S \* 10/2000 Yoneda ..... D14/205  
6,654,966 B2 \* 12/2003 Rolla ..... H04R 1/1066 2/209  
D491,163 S \* 6/2004 Green ..... D14/205  
D514,087 S \* 1/2006 Wilson ..... D14/206  
D541,255 S \* 4/2007 Taylor ..... D14/205  
D573,581 S \* 7/2008 Gondo ..... D14/205  
D576,604 S \* 9/2008 Suzuki ..... D14/205  
D585,871 S \* 2/2009 Lee ..... D14/205  
D600,674 S \* 9/2009 Brennwald ..... D14/205  
D635,959 S \* 4/2011 Hutchieson ..... D14/205  
D639,776 S \* 6/2011 Arimoto ..... D14/205  
D665,775 S \* 8/2012 Katsumata ..... D14/205

(Continued)

*Primary Examiner* — Paula Allen Greene

(74) *Attorney, Agent, or Firm* — Li & Cai Intellectual Property Office

(57) **CLAIM**

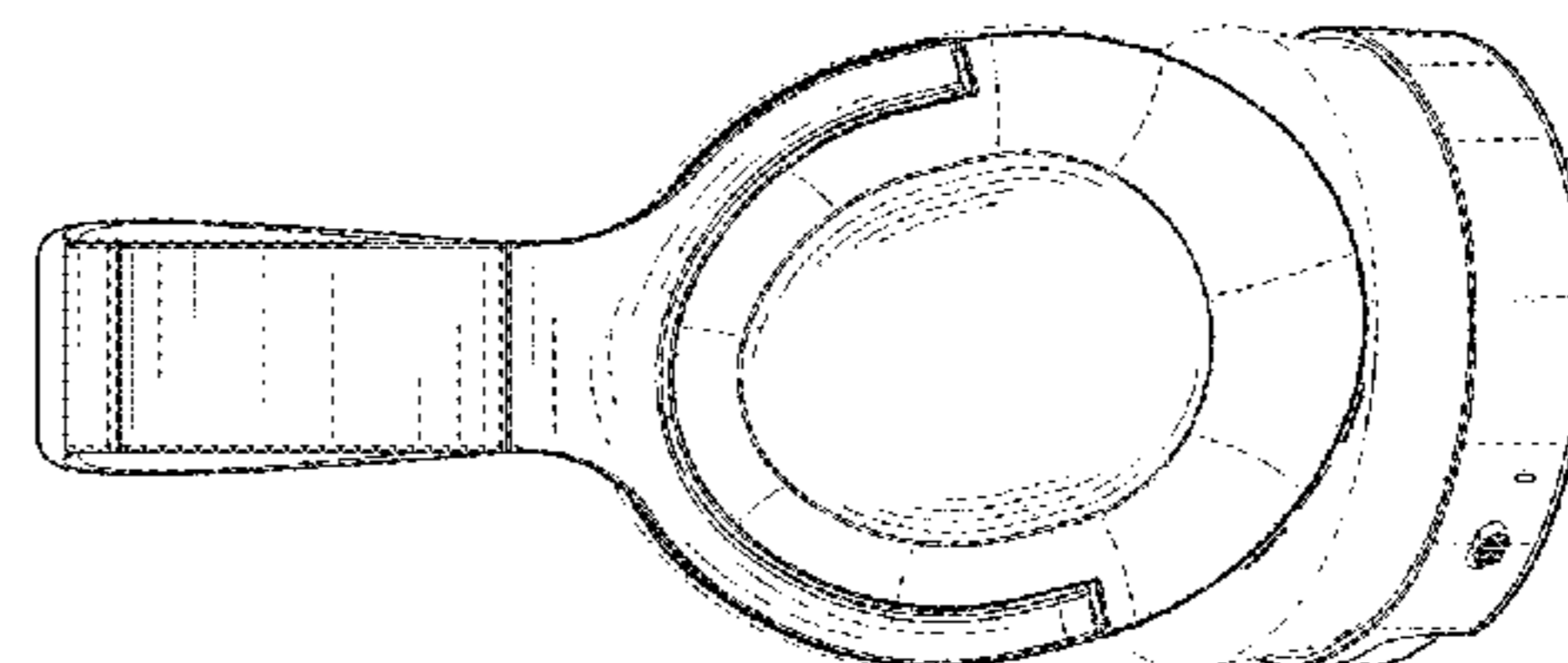
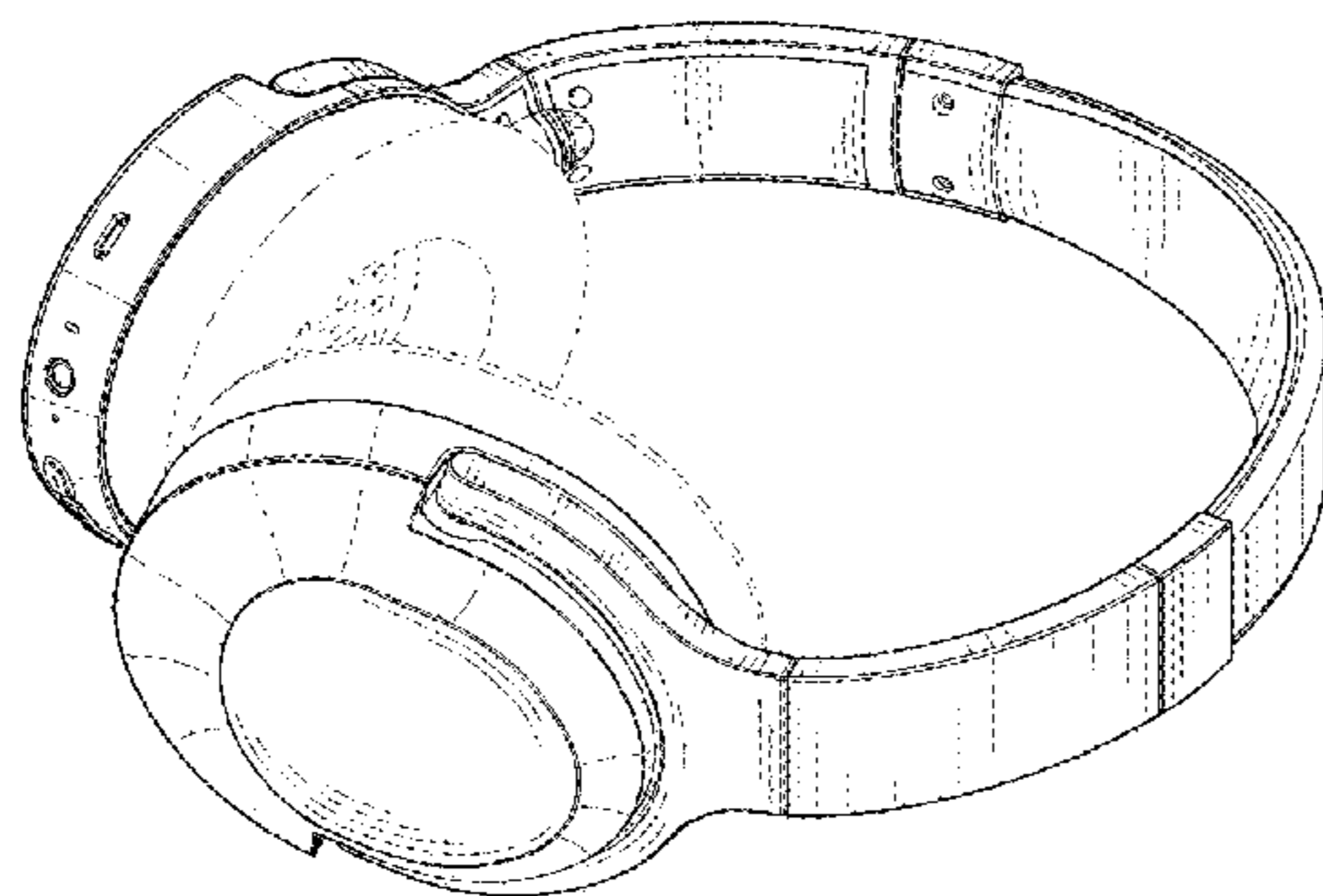
The ornamental design for a “headset”, as shown and described.

**DESCRIPTION**

FIG. 1 is a front, top and right perspective view of a headset showing our new design;  
FIG. 2 is a front elevational view thereof;  
FIG. 3 is a rear elevational view thereof;  
FIG. 4 is a left side elevational view thereof;  
FIG. 5 is a right side elevational view thereof;  
FIG. 6 is a top plan view thereof;  
FIG. 7 is a bottom plan view thereof;  
FIG. 8 is a front, bottom and left perspective thereof; and,  
FIG. 9 is a reference front, top and right perspective view thereof, showing two loudspeaker drivers of this article being rotated.

The broken lines shown represent unclaimed subject matter and form no part of the claimed design.

**1 Claim, 9 Drawing Sheets**



(56)

**References Cited**

## U.S. PATENT DOCUMENTS

D666,990 S \* 9/2012 Komiyama ..... D14/205  
D673,523 S \* 1/2013 Brennwald ..... D14/206  
D691,583 S \* 10/2013 Kitayama ..... D14/205  
D693,791 S \* 11/2013 Troy ..... D14/205  
D697,048 S \* 1/2014 Pavitsich ..... D14/205  
D698,334 S \* 1/2014 Fujioka ..... D14/205  
D705,750 S \* 5/2014 Wu ..... H04R 1/1066  
D14/205  
D719,136 S \* 12/2014 Schaal ..... D14/205  
D721,053 S \* 1/2015 Fujioka ..... D14/205  
D787,470 S \* 5/2017 Kelly ..... D14/205  
D811,365 S \* 2/2018 Czaniecki ..... D14/205  
D826,894 S \* 8/2018 Zhang ..... D14/205  
D836,084 S \* 12/2018 Xie ..... D14/205  
D840,370 S \* 2/2019 Kelly ..... D14/205  
2008/0056525 A1 \* 3/2008 Fujiwara ..... H04R 1/1033  
381/374  
2010/0310093 A1 \* 12/2010 Semcken ..... H04R 1/1058  
381/104  
2017/0230746 A1 \* 8/2017 Silvestri ..... H04R 1/1083

\* cited by examiner

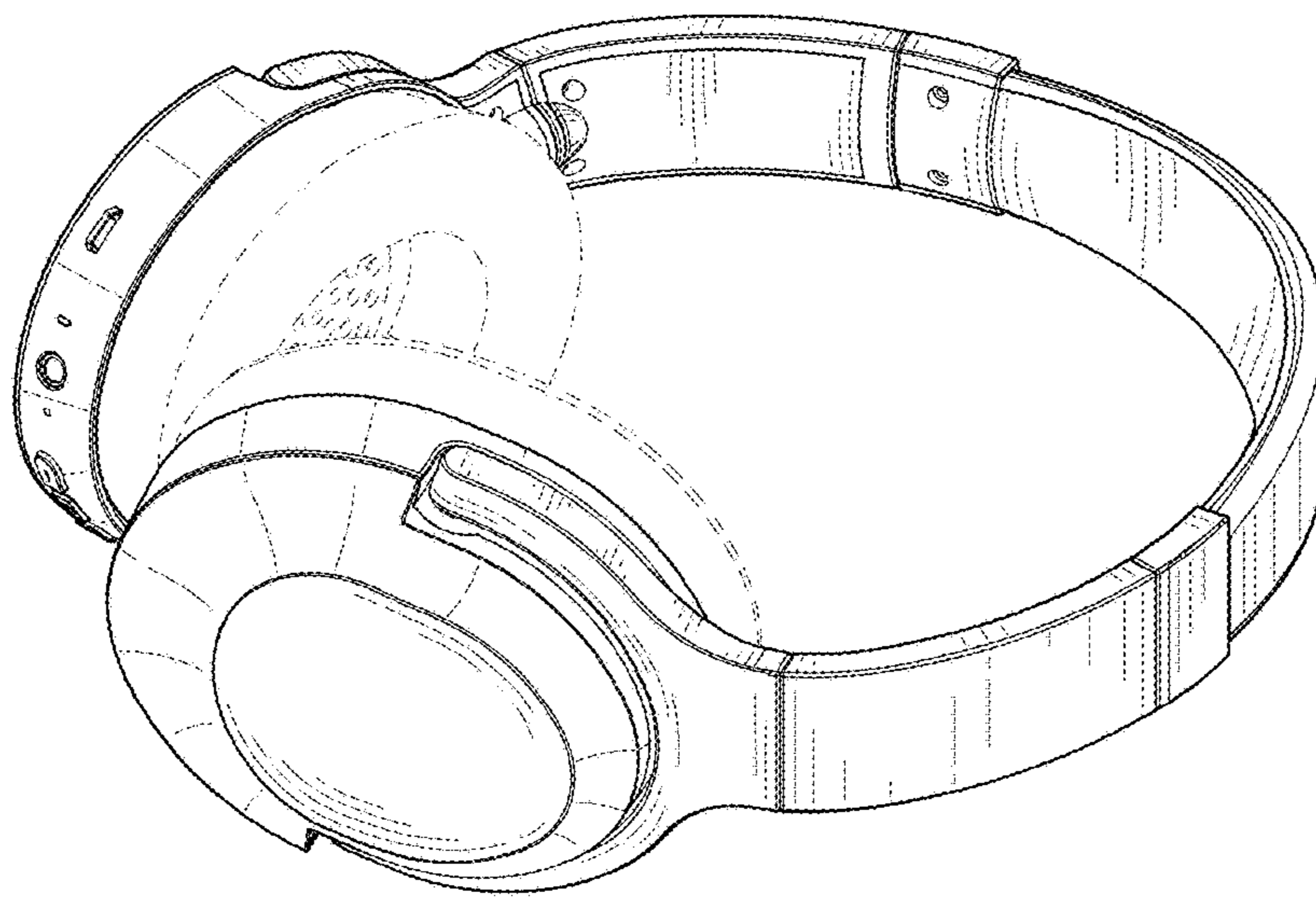


FIG. 1

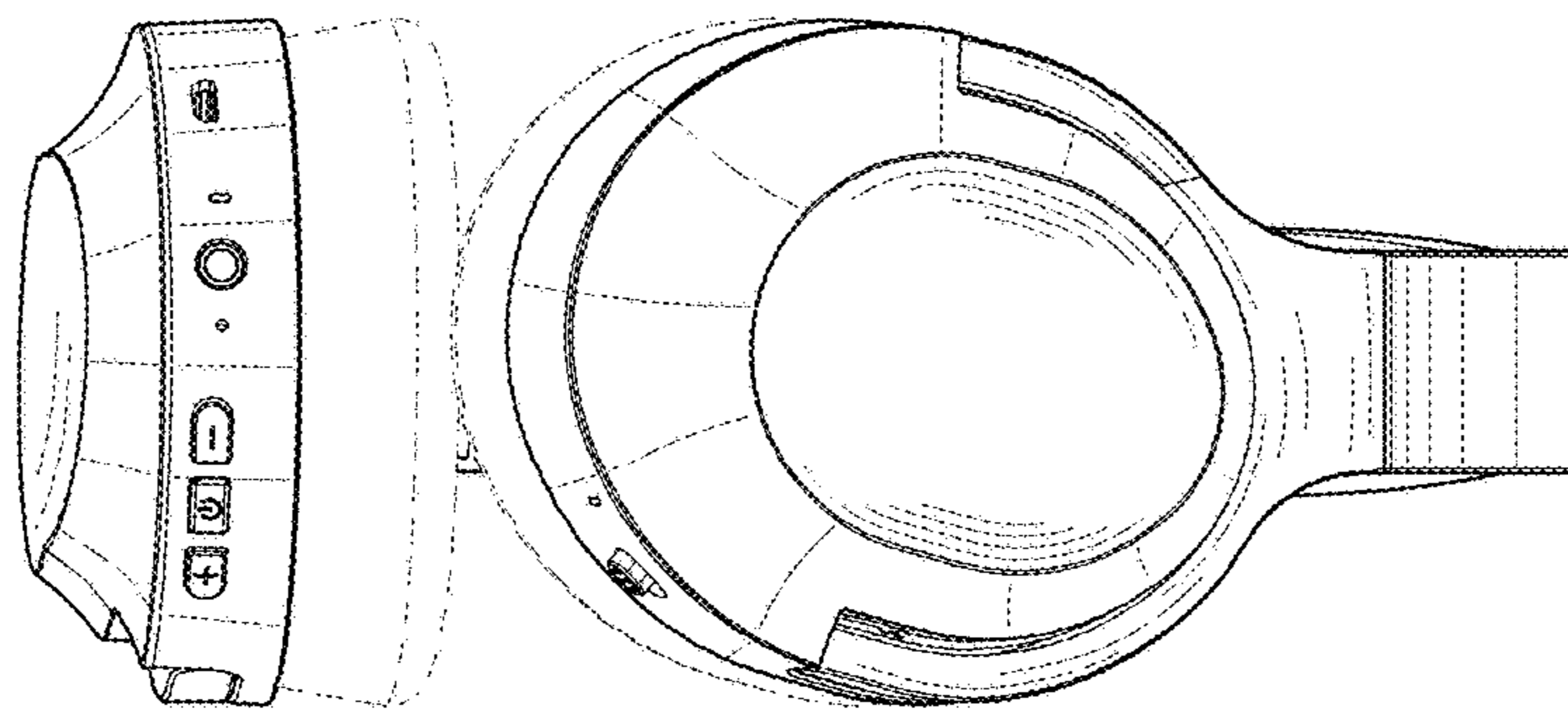


FIG. 2

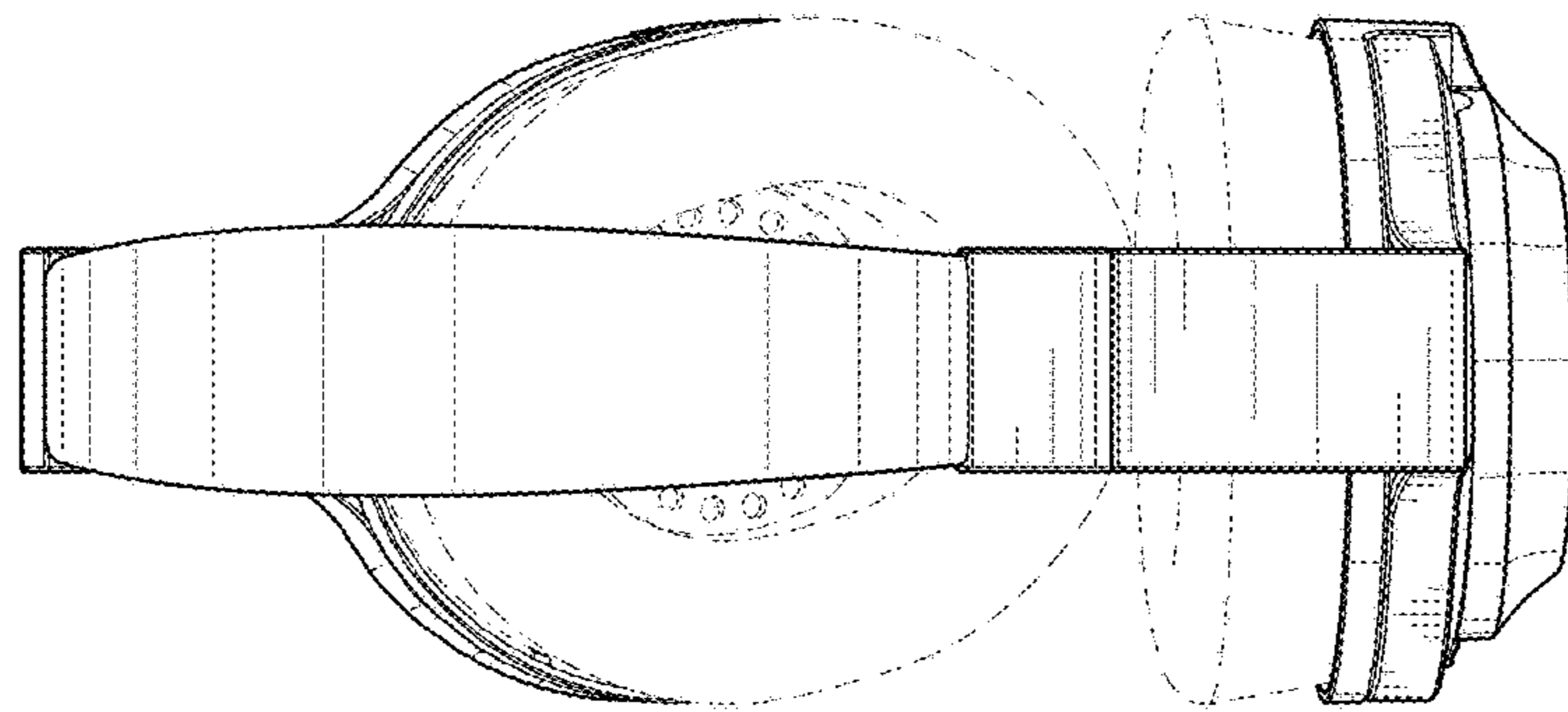


FIG. 3

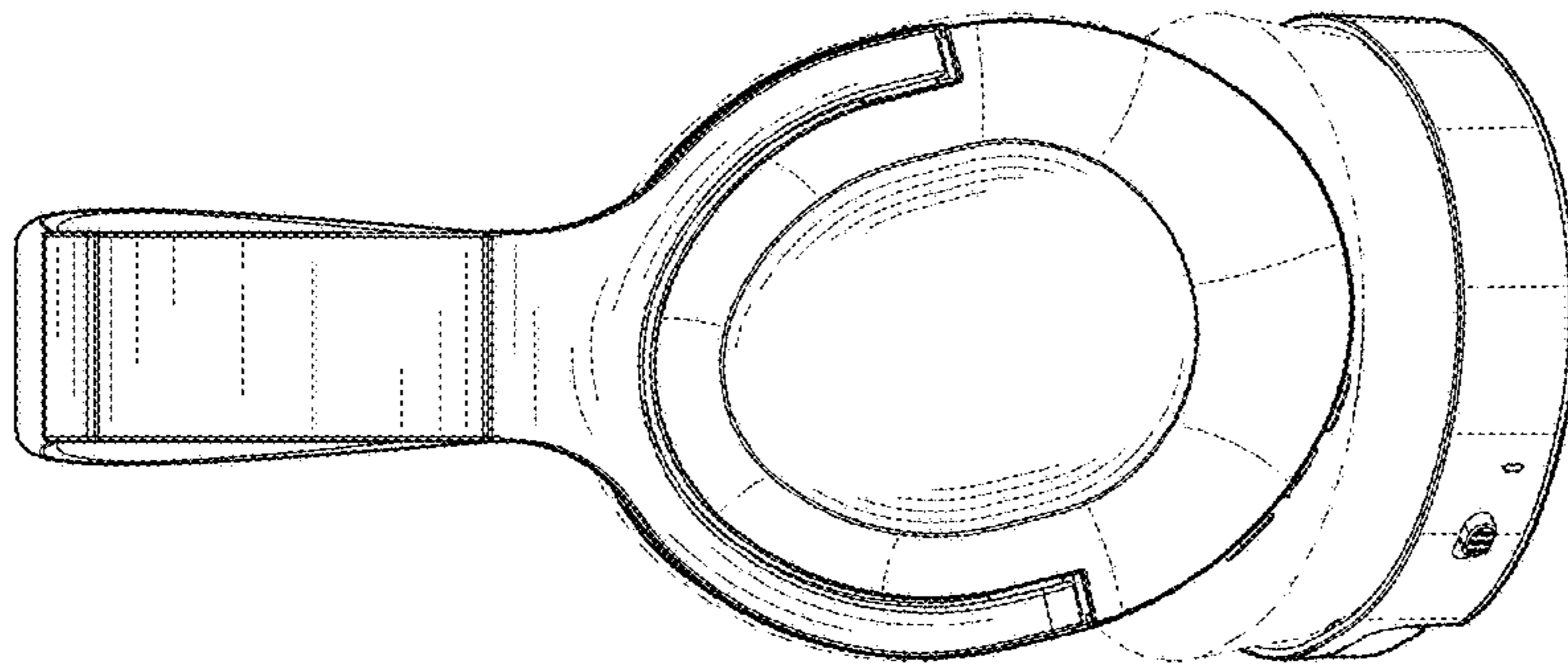


FIG. 4



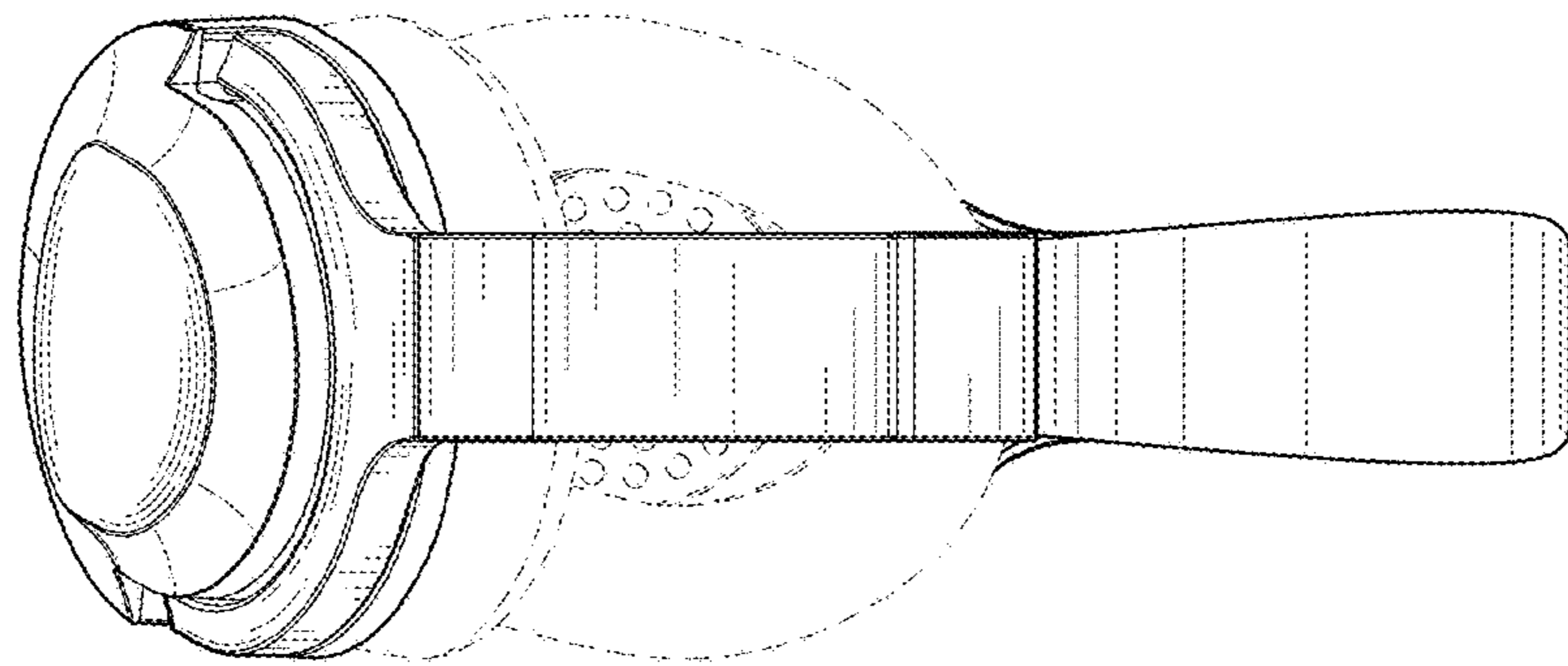


FIG. 5

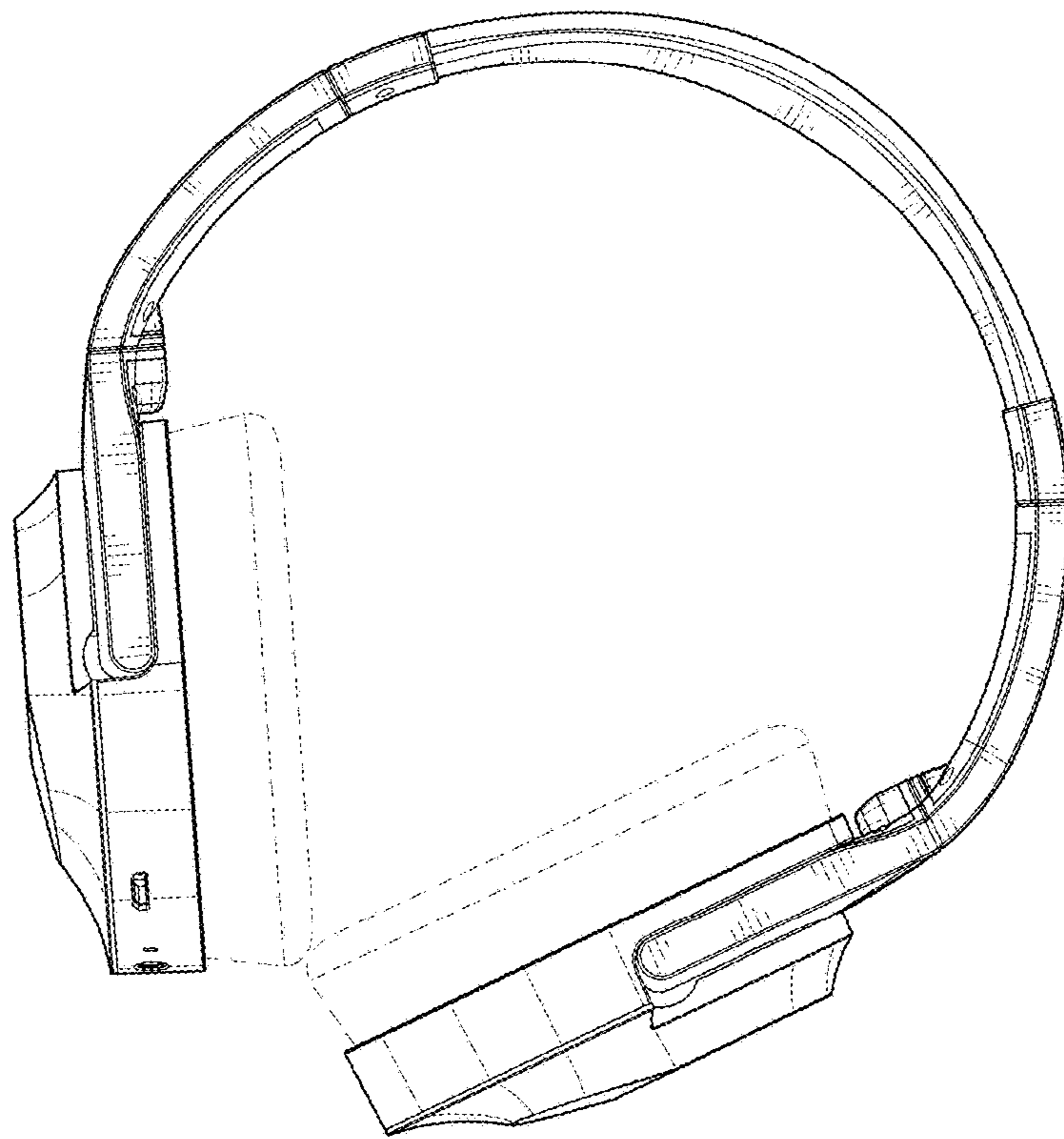


FIG. 6



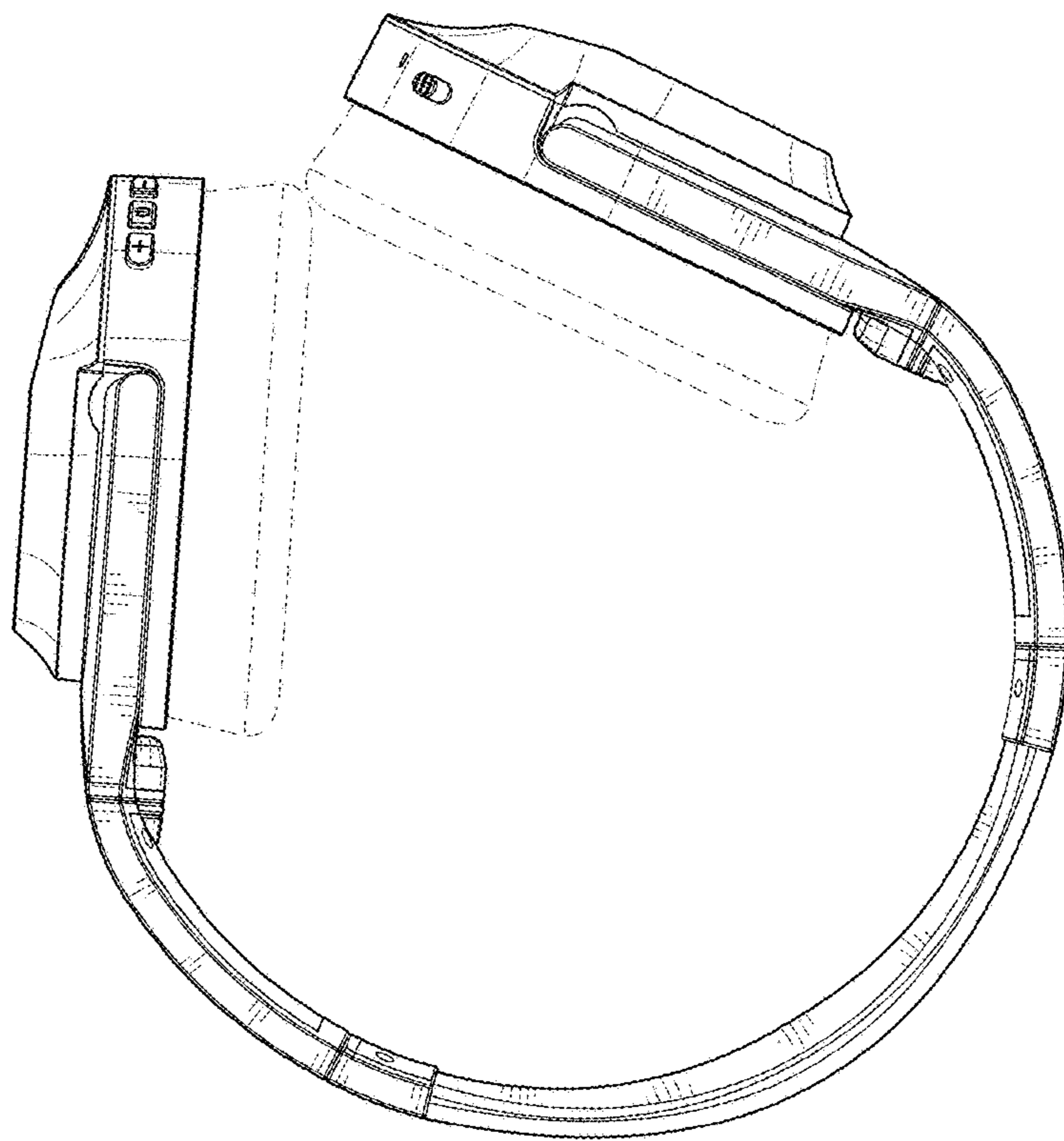


FIG. 7

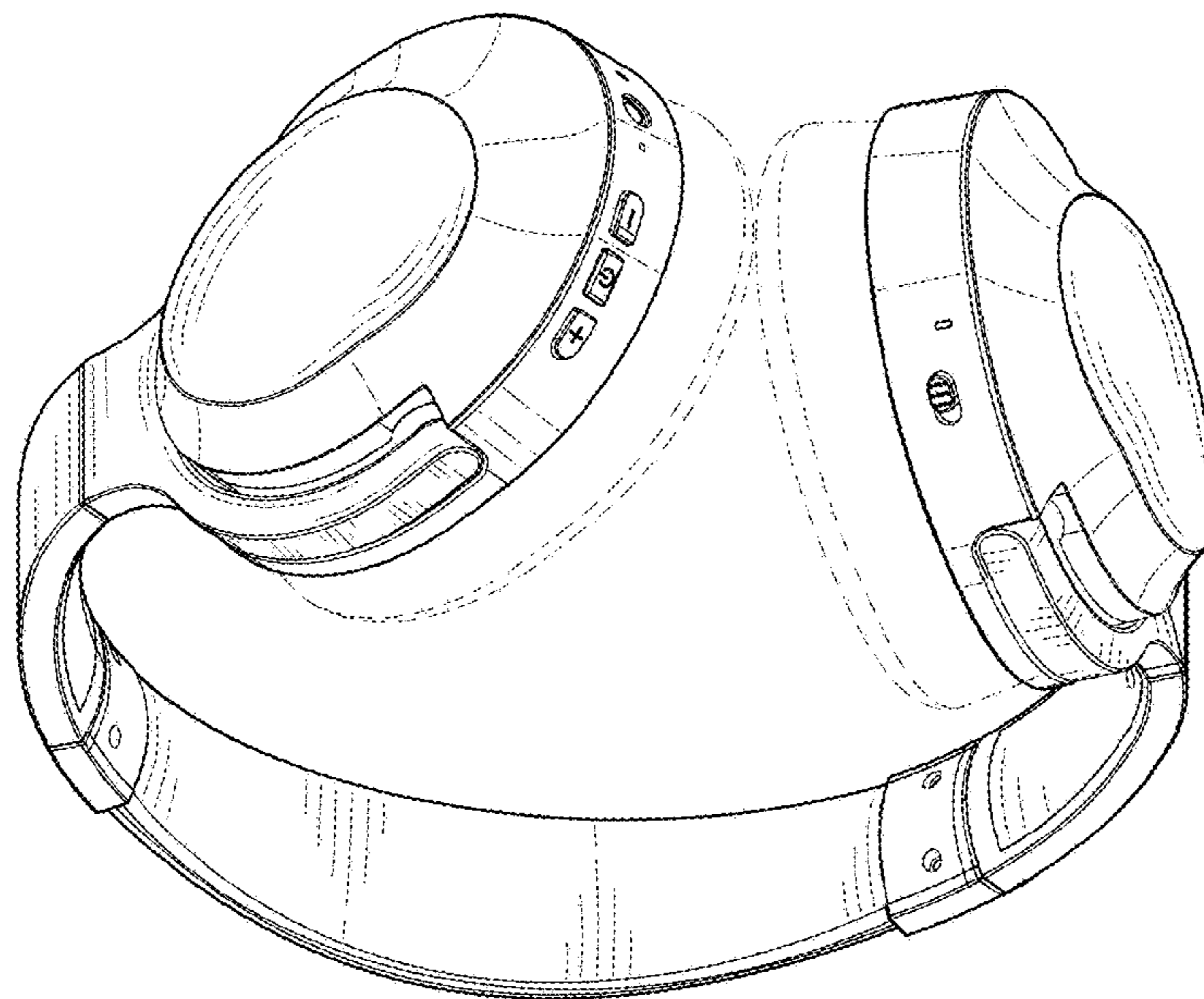


FIG. 8

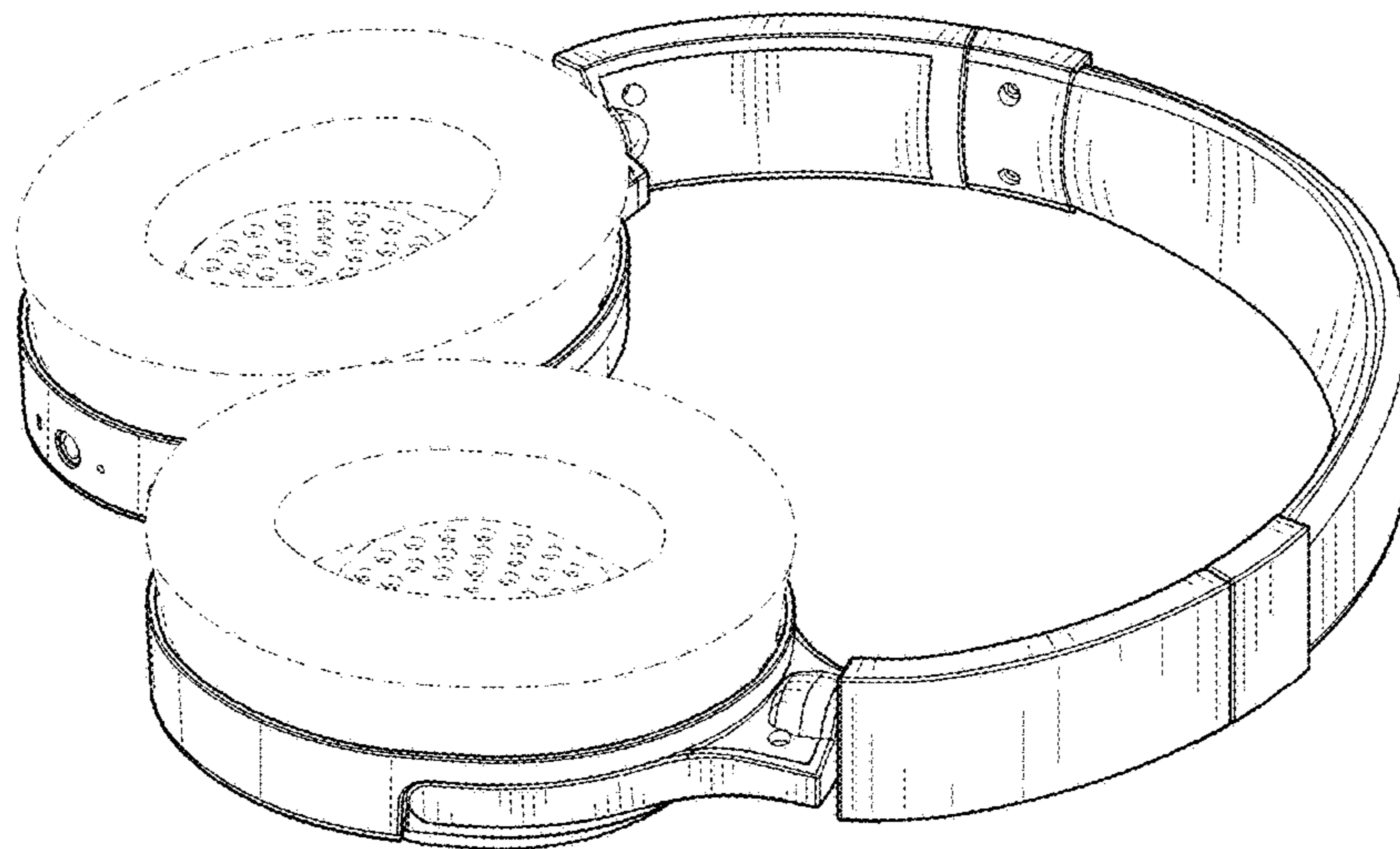


FIG. 9