



US00D859353S

(12) **United States Design Patent**
Wagner

(10) **Patent No.:** **US D859,353 S**
(45) **Date of Patent:** **** Sep. 10, 2019**

- (54) **EARPHONES**
- (71) Applicant: **B&O PLAY A/S**, Struer (DK)
- (72) Inventor: **Jakob Wagner**, København Ø (DK)
- (73) Assignee: **Bang & Olufsen A/S**, Struer (DK)
- (**) Term: **15 Years**
- (21) Appl. No.: **29/612,962**
- (22) Filed: **Aug. 4, 2017**
- (30) **Foreign Application Priority Data**

Feb. 7, 2017 (EM) 003743228

- (51) **LOC (12) Cl.** **14-01**
- (52) **U.S. Cl.**
USPC **D14/205**
- (58) **Field of Classification Search**
USPC D14/205, 206, 188, 192; D29/112;
2/209; 181/129, 130, 135; 379/430, 431;
381/380, 381, 370, 374, 375, 74;
455/90.3, 575.1, 569.1
CPC H04R 1/1066; H04R 1/1016; H04R 1/10;
H04R 1/105; H04R 5/033; H04R 5/0335
See application file for complete search history.

(56) **References Cited**

U.S. PATENT DOCUMENTS

- 2,437,049 A * 3/1948 Salisbury A61F 11/14
128/866
- 2,537,201 A * 1/1951 Amfitheatrof A61F 11/008
181/136
- 2,593,892 A * 4/1952 Kindel A42B 3/166
128/866
- D246,259 S * 11/1977 Nishimura D14/205
- D270,634 S * 9/1983 Ungar D14/205
- 4,571,746 A * 2/1986 Gorike H04R 5/0335
2/209

- 4,597,469 A * 7/1986 Nagashima H04R 5/0335
181/129
- 4,634,816 A * 1/1987 O'Malley H04M 1/05
379/430
- 4,689,822 A * 8/1987 Houng H04R 1/1066
381/371
- D292,205 S * 10/1987 Kikutani 381/378
- D300,133 S * 3/1989 Daidoh D14/205
- D316,861 S * 5/1991 Yoda D14/205
- D318,669 S * 7/1991 Nakayama D14/205
- D328,074 S * 7/1992 Yamazaki D14/205
- D328,461 S * 8/1992 Daido D14/205
- D338,010 S * 8/1993 Yamatogi D14/205
- 5,459,290 A * 10/1995 Yamagishi H04R 1/1075
181/129
- D373,360 S * 9/1996 Kanno D14/205
- D375,312 S * 11/1996 Kanno D14/205

(Continued)

Primary Examiner — Paula Allen Greene

(74) *Attorney, Agent, or Firm* — Dykema Gossett PLLC

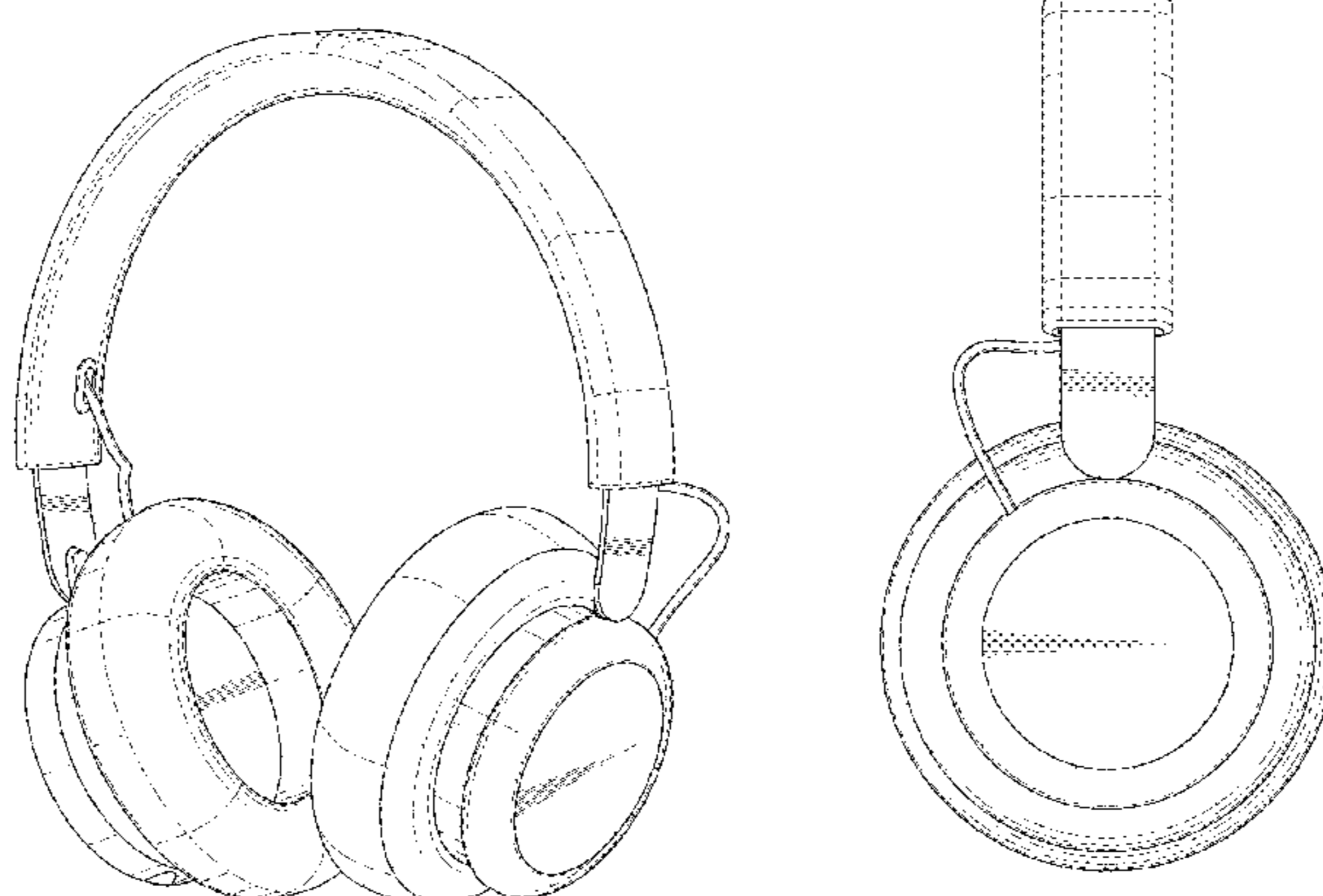
(57) **CLAIM**

The ornamental design for earphones, as shown and described.

DESCRIPTION

FIG. 1 is an isometric view of the front and left side of earphones according to the present design.
 FIG. 2 is a rear elevation view of the earphones depicted in FIG. 1.
 FIG. 3 is a right elevation view of the earphones depicted in FIG. 1.
 FIG. 4 is an isometric view of the rear and right side of the earphones depicted in FIG. 1.
 FIG. 5 is a rear elevation view of the earphones depicted in FIG. 1.
 FIG. 6 is a left elevation view of the earphones depicted in FIG. 1; and,
 FIG. 7 is a bottom plan view of the earphones depicted in FIG. 1.

1 Claim, 7 Drawing Sheets



(56)

References Cited

U.S. PATENT DOCUMENTS

D377,021 S * 12/1996 Isono D14/205
 5,809,573 A * 9/1998 Bary A61F 7/03
 128/866
 D399,206 S * 10/1998 Yasutomi D14/205
 5,887,286 A * 3/1999 Waldron A61F 11/14
 181/129
 D481,375 S * 10/2003 Suzuki D14/206
 D484,485 S * 12/2003 Matsuoka D14/205
 D502,938 S * 3/2005 Tokioka D14/205
 D532,407 S * 11/2006 Motoishi D14/205
 D539,267 S * 3/2007 Komiyama D14/205
 D544,464 S * 6/2007 Lee D14/205
 D573,581 S * 7/2008 Gondo D14/205
 D582,890 S * 12/2008 Koza D14/205
 D584,715 S * 1/2009 Brennwald D14/205
 D588,098 S * 3/2009 Kurihara D14/205
 D591,263 S * 4/2009 Shimizu D14/205
 D593,995 S * 6/2009 Shimizu D14/205
 D594,847 S * 6/2009 Suzuki D14/205
 7,580,539 B2 * 8/2009 Tachikawa H04R 1/1066
 381/374
 D600,674 S * 9/2009 Brennwald D14/205
 D634,298 S * 3/2011 Shimizu D14/205
 D639,776 S * 6/2011 Arimoto D14/205
 8,098,872 B2 * 1/2012 Chang H04R 1/1075
 381/370
 D654,472 S * 2/2012 Fischer D14/206
 D656,125 S * 3/2012 Komiyama D14/205
 D657,776 S * 4/2012 Lee D14/205
 D662,080 S * 6/2012 Carr D14/205
 D663,717 S * 7/2012 Hutchieson D14/206
 D665,775 S * 8/2012 Katsumata D14/205
 8,295,529 B2 * 10/2012 Petersen H04R 1/083
 381/371
 D676,595 S * 2/2013 Giacomazzi D26/118
 D684,140 S * 6/2013 Enquist D14/205
 D689,843 S * 9/2013 Lee D14/205

D691,109 S * 10/2013 Hardi D14/205
 D691,579 S * 10/2013 Lee D14/205
 D704,161 S * 5/2014 Morimoto H04R 1/1066
 D14/205
 D706,240 S * 6/2014 Szymanski H04R 1/1066
 D14/205
 D706,241 S * 6/2014 Szymanski H04R 1/1066
 D14/205
 D706,242 S * 6/2014 Yang H04R 1/1066
 D14/205
 D707,653 S * 6/2014 Hardi H04R 1/10
 D14/205
 8,755,555 B2 * 6/2014 Dougherty H04R 1/1066
 381/370
 D708,163 S * 7/2014 Ishikura D14/205
 D712,375 S * 9/2014 Miyake D14/205
 D713,374 S * 9/2014 Farrage D14/205
 8,923,525 B2 * 12/2014 Saideh H04R 1/1033
 381/309
 D722,998 S * 2/2015 Sancho D14/205
 D727,289 S * 4/2015 Czaniecki D14/205
 D728,512 S * 5/2015 Nakagawa D14/205
 D729,194 S * 5/2015 Boeckel D14/205
 D733,090 S * 6/2015 Petersen D14/205
 D750,041 S * 2/2016 Birger D14/205
 D750,593 S * 3/2016 Hardi H04R 1/10
 D14/205
 D759,626 S * 6/2016 Wagner D14/205
 D763,226 S * 8/2016 Petersen D14/205
 D769,840 S * 10/2016 Henning D14/205
 D771,012 S * 11/2016 Wagner D14/205
 D787,469 S * 5/2017 Djohar D14/205
 D837,764 S * 1/2019 Xiao D14/205
 2007/0165899 A1 * 7/2007 Garin H04R 1/1066
 381/377
 2010/0310093 A1 * 12/2010 Semcken H04R 1/1058
 381/104
 2013/0087404 A1 * 4/2013 Peskar G10K 11/168
 181/129

* cited by examiner



FIG. 1

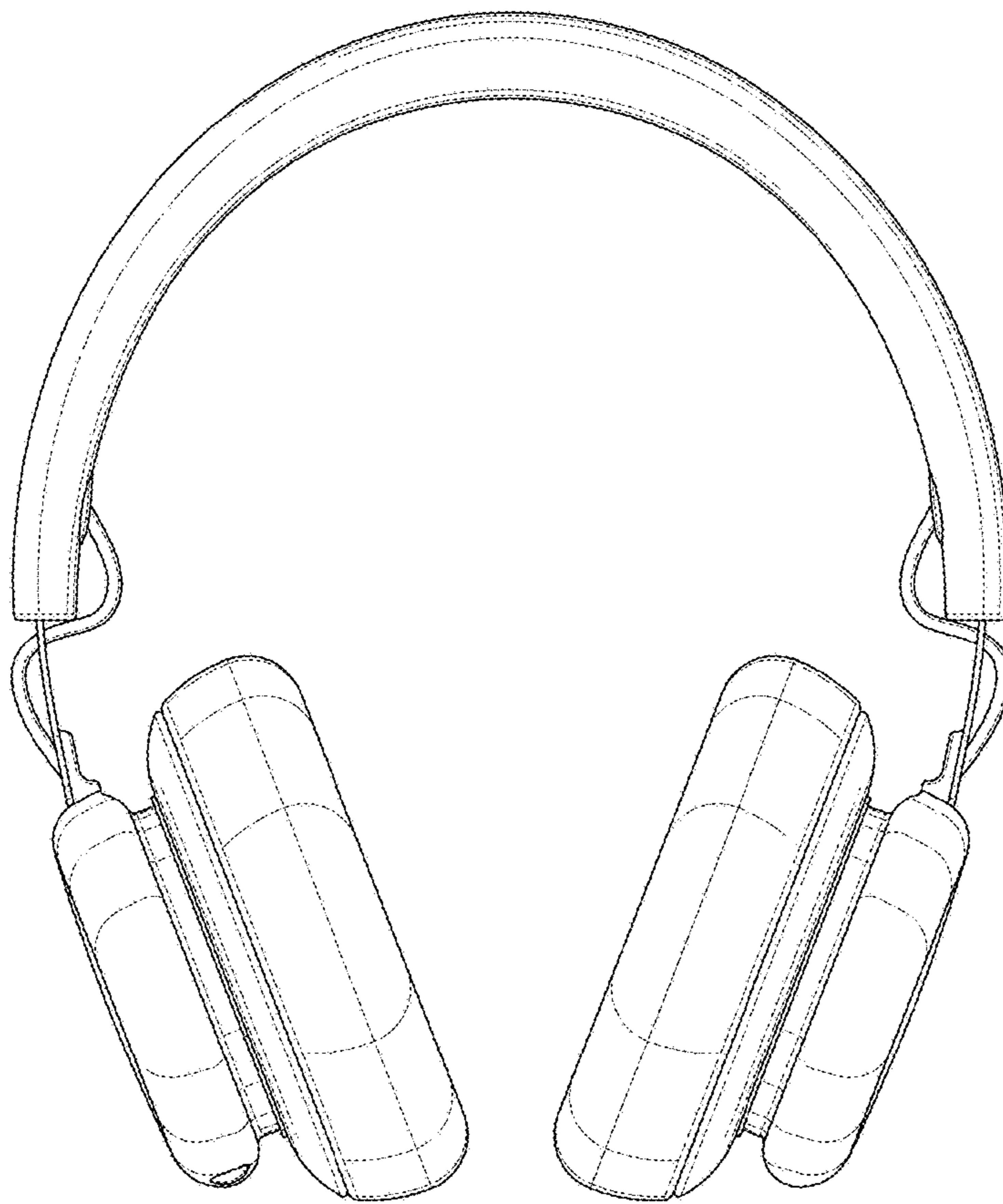


FIG. 2

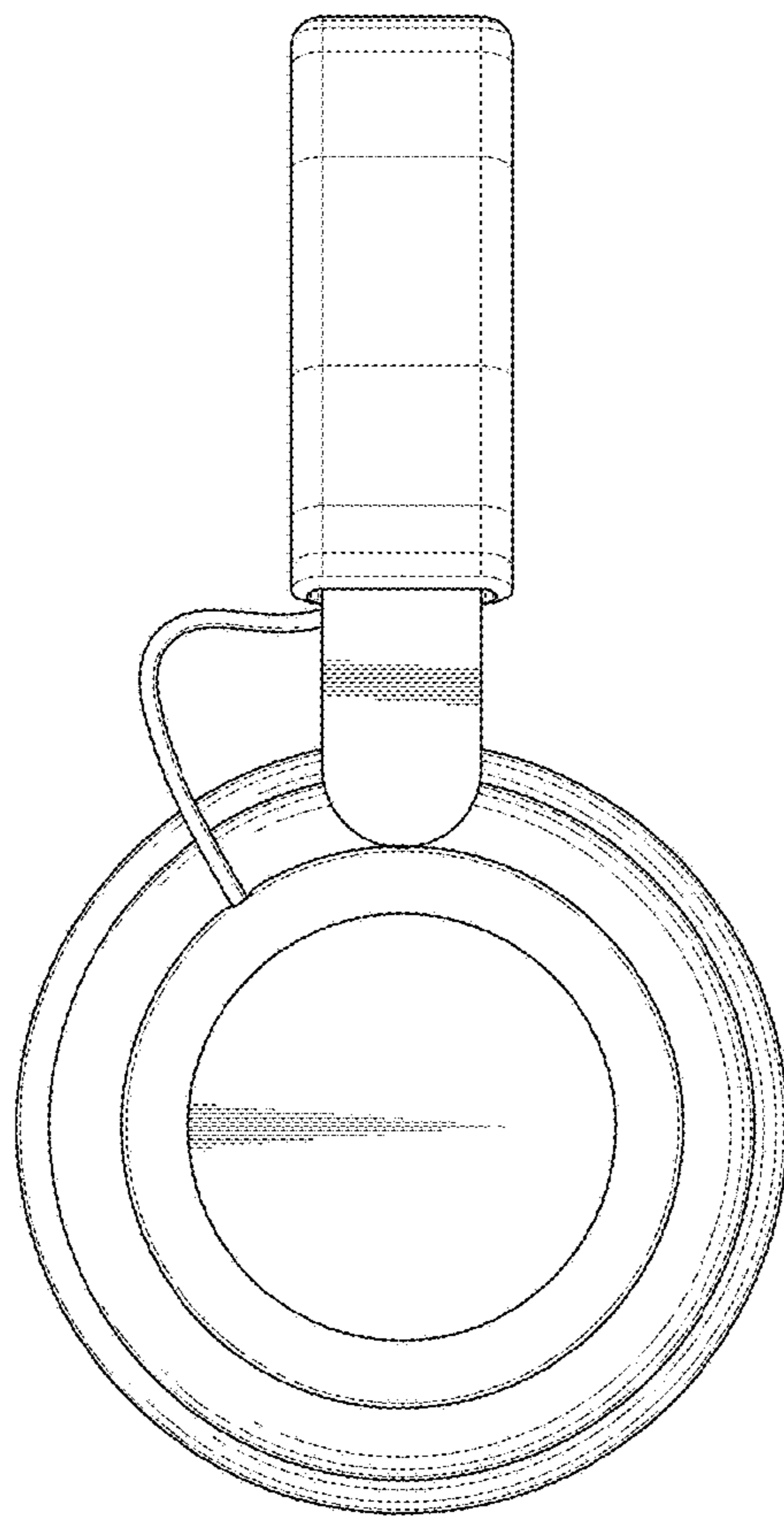


FIG. 3

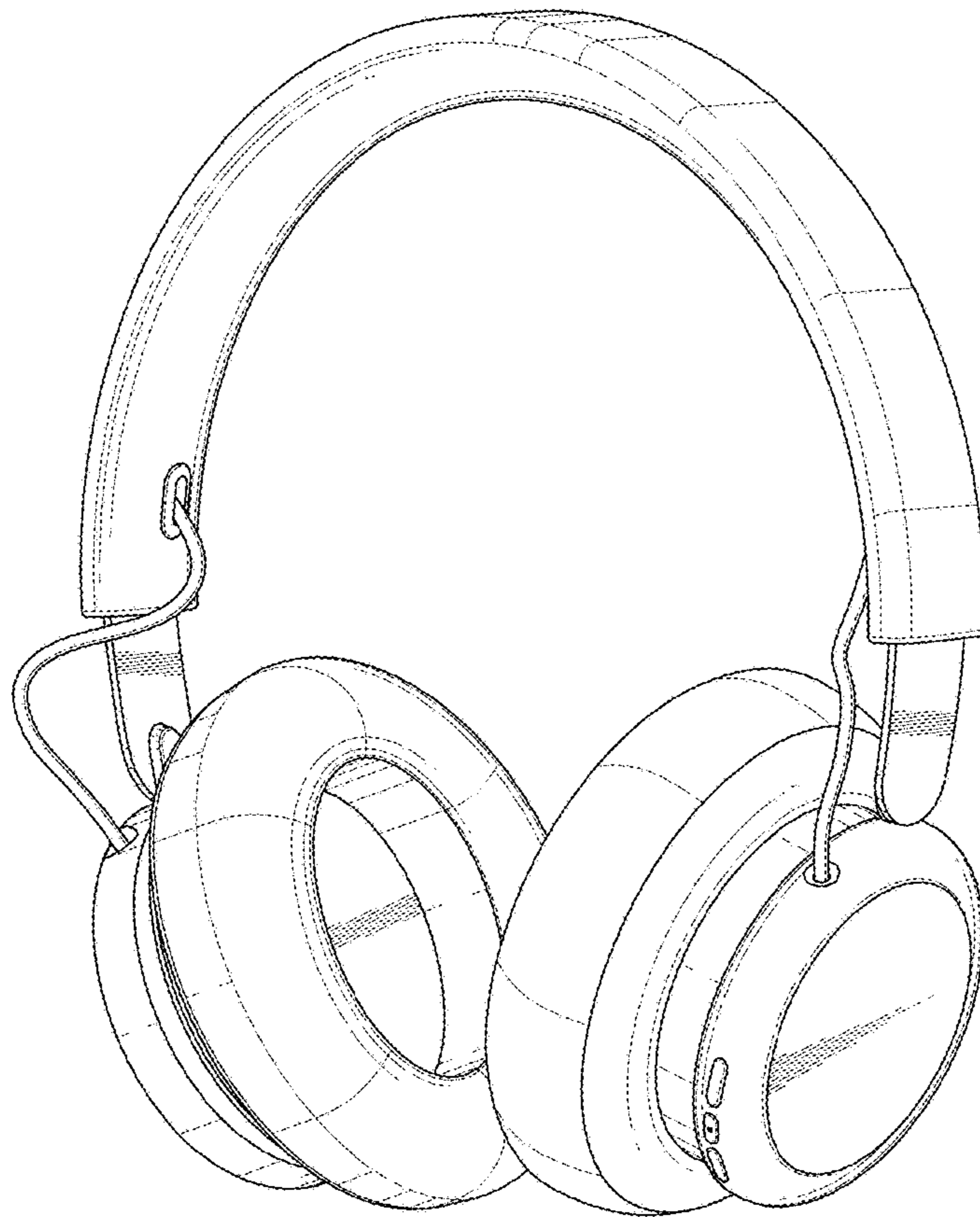


FIG. 4



FIG. 5

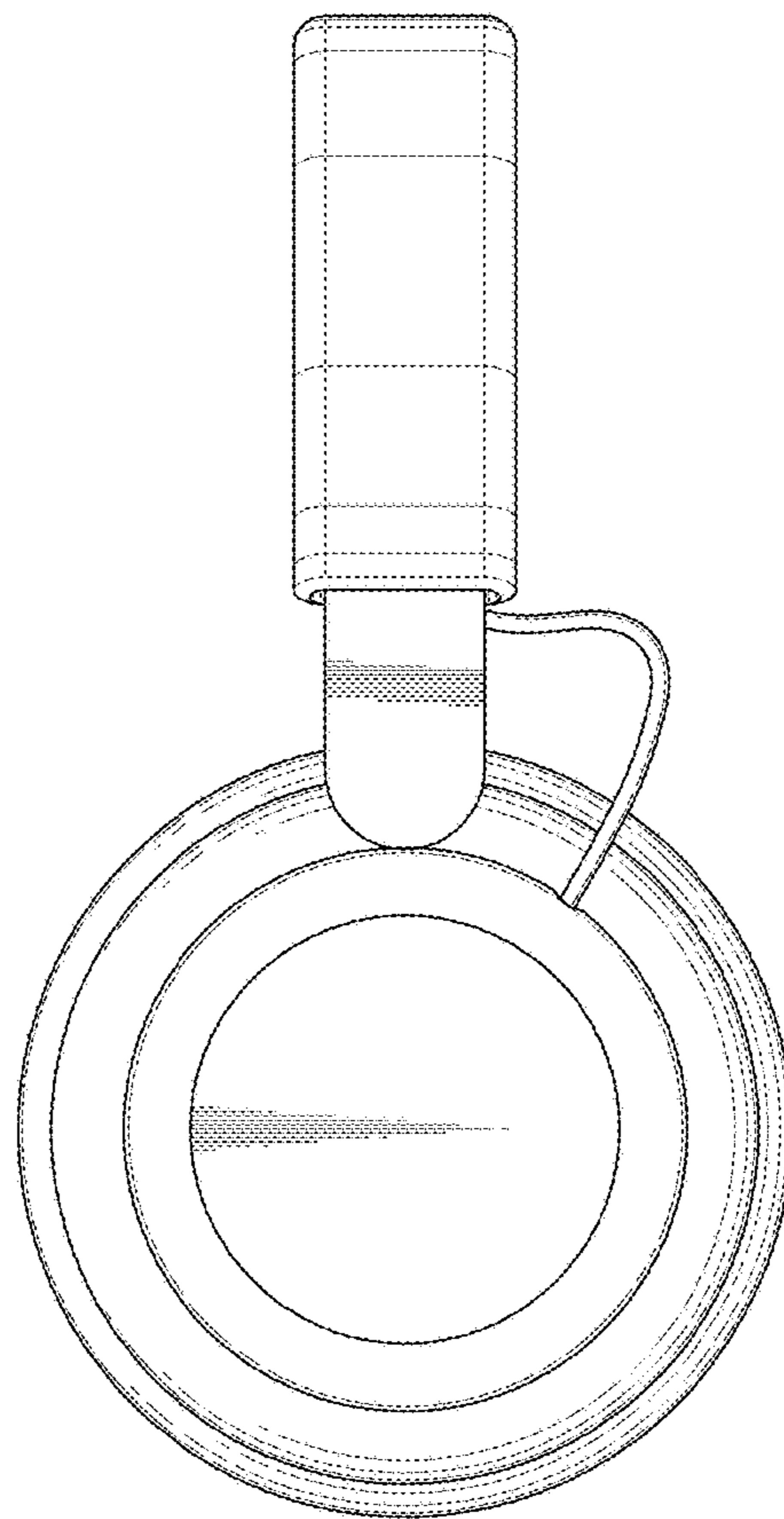


FIG. 6

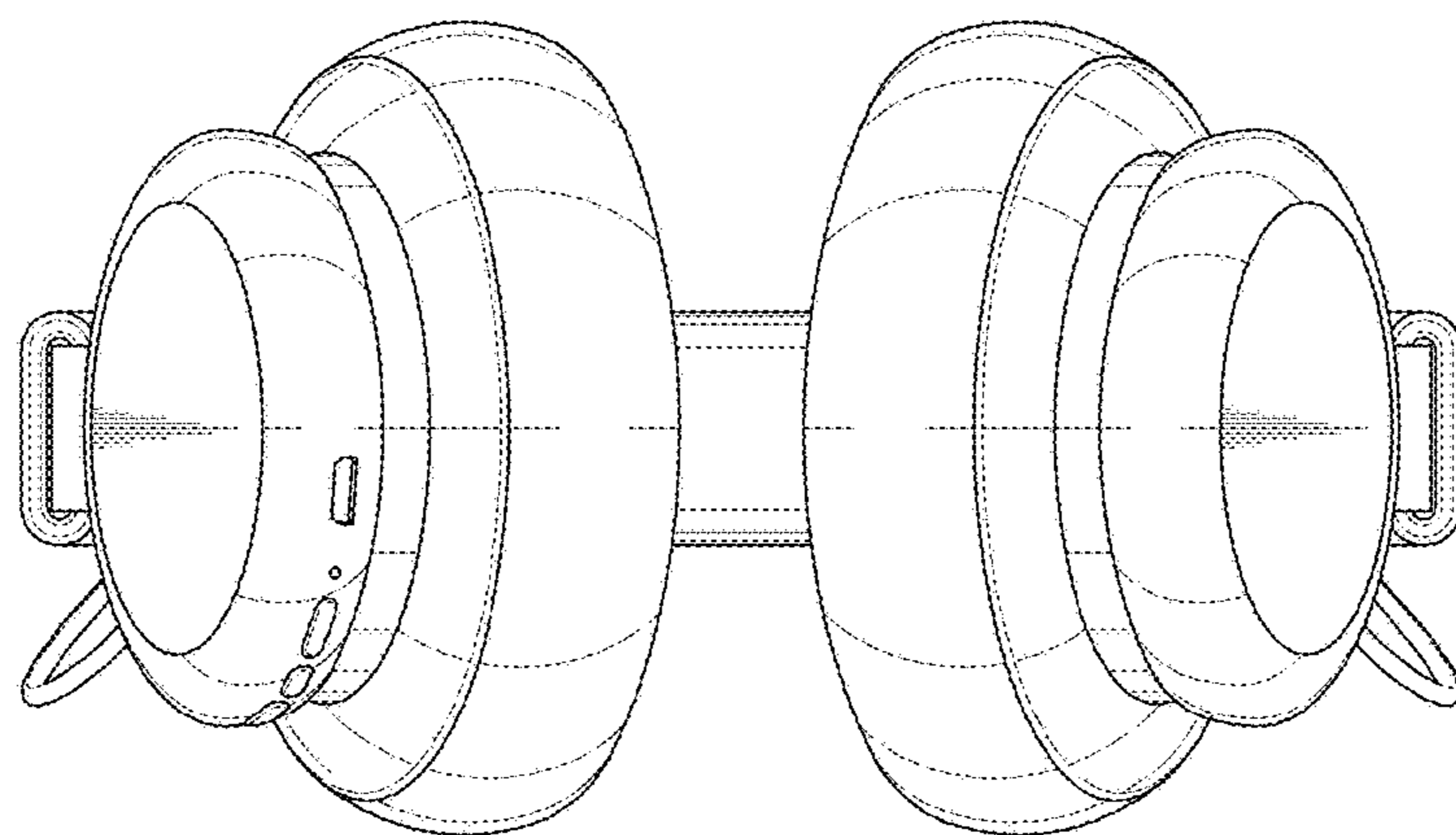


FIG. 7