



US00D859352S

(12) **United States Design Patent** (10) **Patent No.:** **US D859,352 S**
Liu (45) **Date of Patent:** **** Sep. 10, 2019**

- (54) **WIRELESS CAR MP3**
- (71) Applicant: **Moushui Liu**, Guangdong (CN)
- (72) Inventor: **Moushui Liu**, Guangdong (CN)
- (73) Assignee: **Dongguan Kaweidi Automobile Fittings Co., Ltd.**, Dongguan, Guangdong (CN)
- (**) Term: **15 Years**
- (21) Appl. No.: **29/616,710**
- (22) Filed: **Sep. 8, 2017**
- (51) **LOC (12) Cl.** **14-01**
- (52) **U.S. Cl.**
USPC **D14/203.6**; D14/203.3; D14/496
- (58) **Field of Classification Search**
USPC D14/167, 168, 170–172, 188, 194–196, D14/204, 209.1, 210–216, 219, 221, 222, D14/224, 239, 496, 203.1–203.8
CPC B60R 11/0217; G06F 1/1688; G10K 9/22; G10K 11/004; H03F 1/327; H04M 1/03; H04M 1/035; H04N 5/642; H04N 21/4852; H04R 1/02; H04R 1/06; H04R 1/021; H04R 1/025; H04R 1/026; H04R 1/028; H04R 1/105; H04R 1/323; H04R 1/403; H04R 1/2803; H04R 1/2834; H04R 5/02; H04R 7/20; H04R 9/06; H04R 9/025; H04R 2201/021; H04R 2400/00; H04R 2400/07; H04R 2499/11; H04R 2499/13; H04R 2499/15; H04S 3/00; H04S 7/30

See application file for complete search history.

- (56) **References Cited**
U.S. PATENT DOCUMENTS
- D518,065 S * 3/2006 Kobayashi D14/203.2
- D532,426 S * 11/2006 Lee D14/203.3
- D674,765 S * 1/2013 Hou D14/198
- D723,519 S * 3/2015 Files D14/215
- D804,532 S * 12/2017 Mangum D14/496
- D810,133 S * 2/2018 Wang D14/496
- D813,206 S * 3/2018 Tang D14/223
- D839,233 S * 1/2019 Bian D14/203.7

* cited by examiner

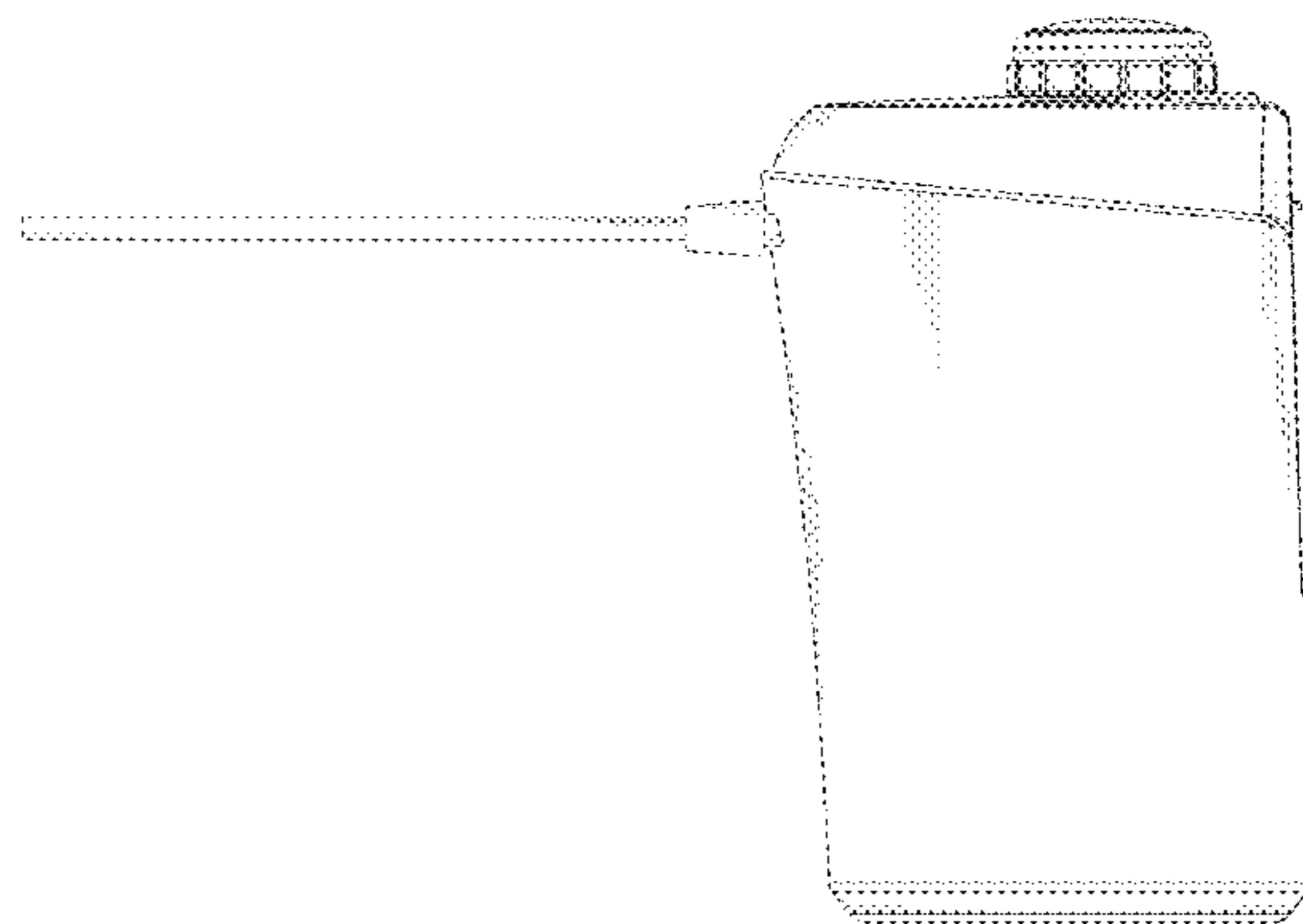
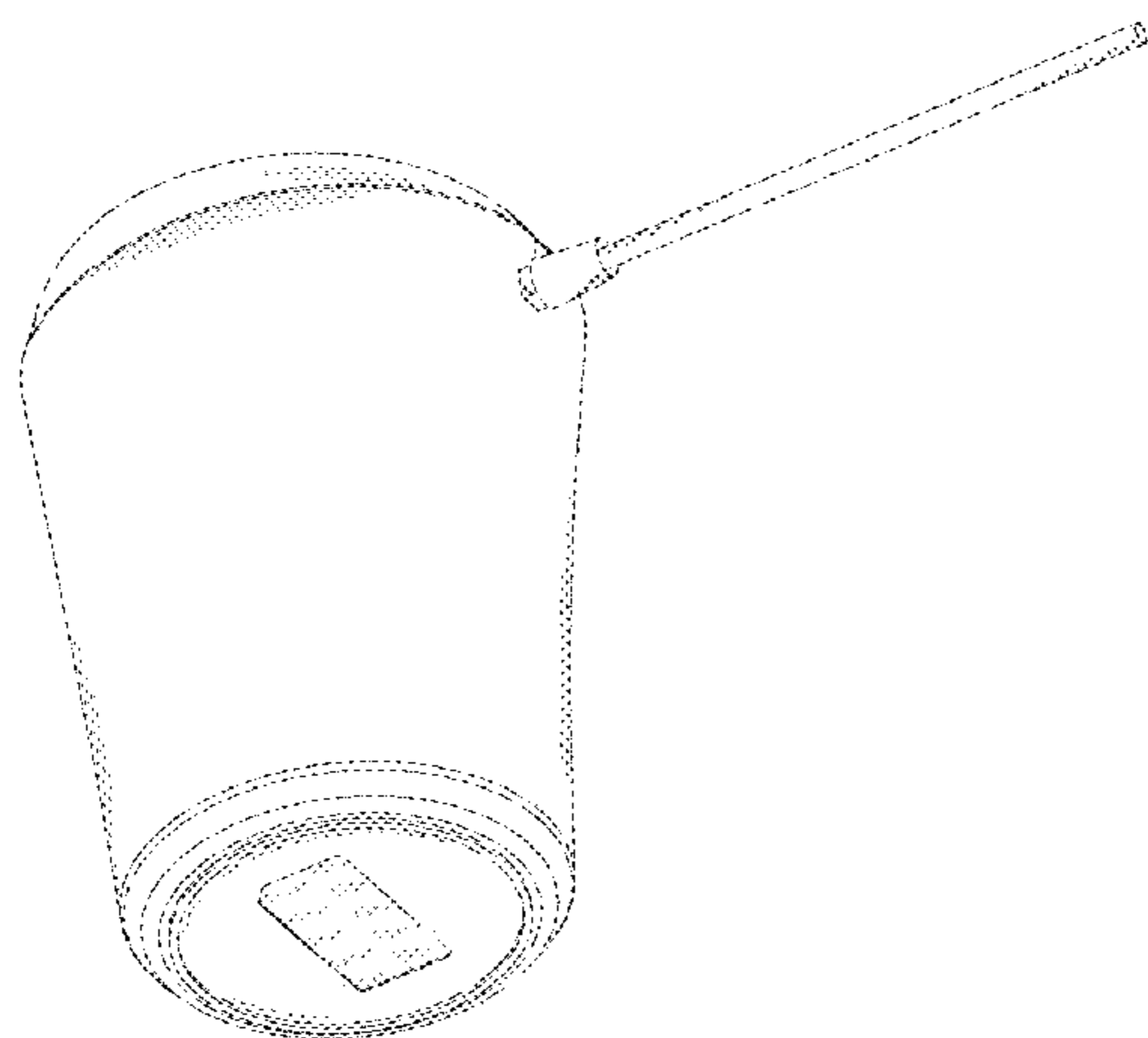
Primary Examiner — Keli L Hill

- (57) **CLAIM**
- The ornamental design for wireless car MP3, as shown and described.

DESCRIPTION

- FIG. 1 is a perspective view of wireless car MP3 showing my new design;
- FIG. 2 is a front elevational view thereof;
- FIG. 3 is a rear elevational view thereof;
- FIG. 4 is a left side elevational view thereof;
- FIG. 5 is a right side elevational view thereof;
- FIG. 6 is a top plan view thereof; and,
- FIG. 7 is a bottom plan view thereof.

1 Claim, 7 Drawing Sheets



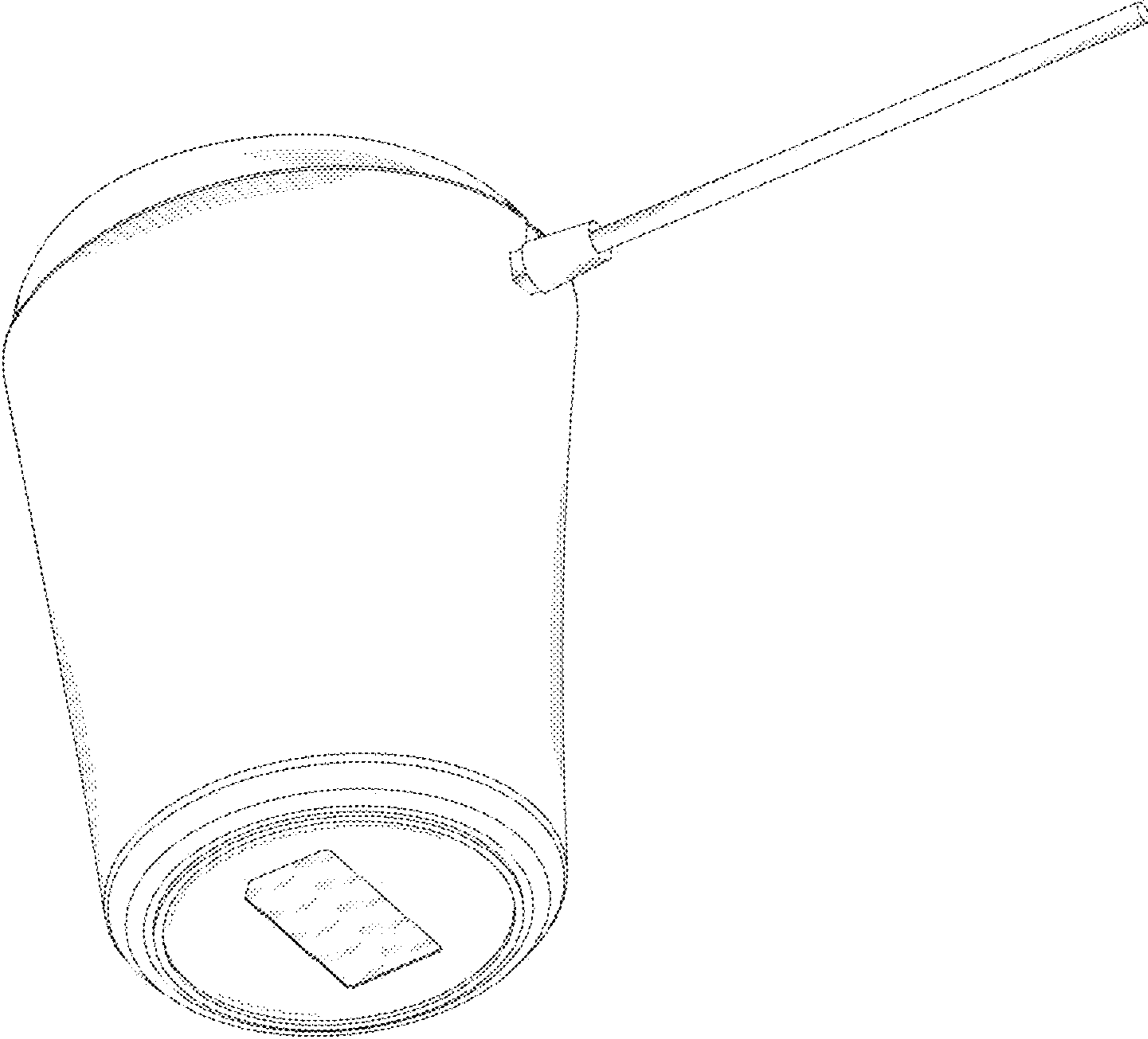


FIG.1

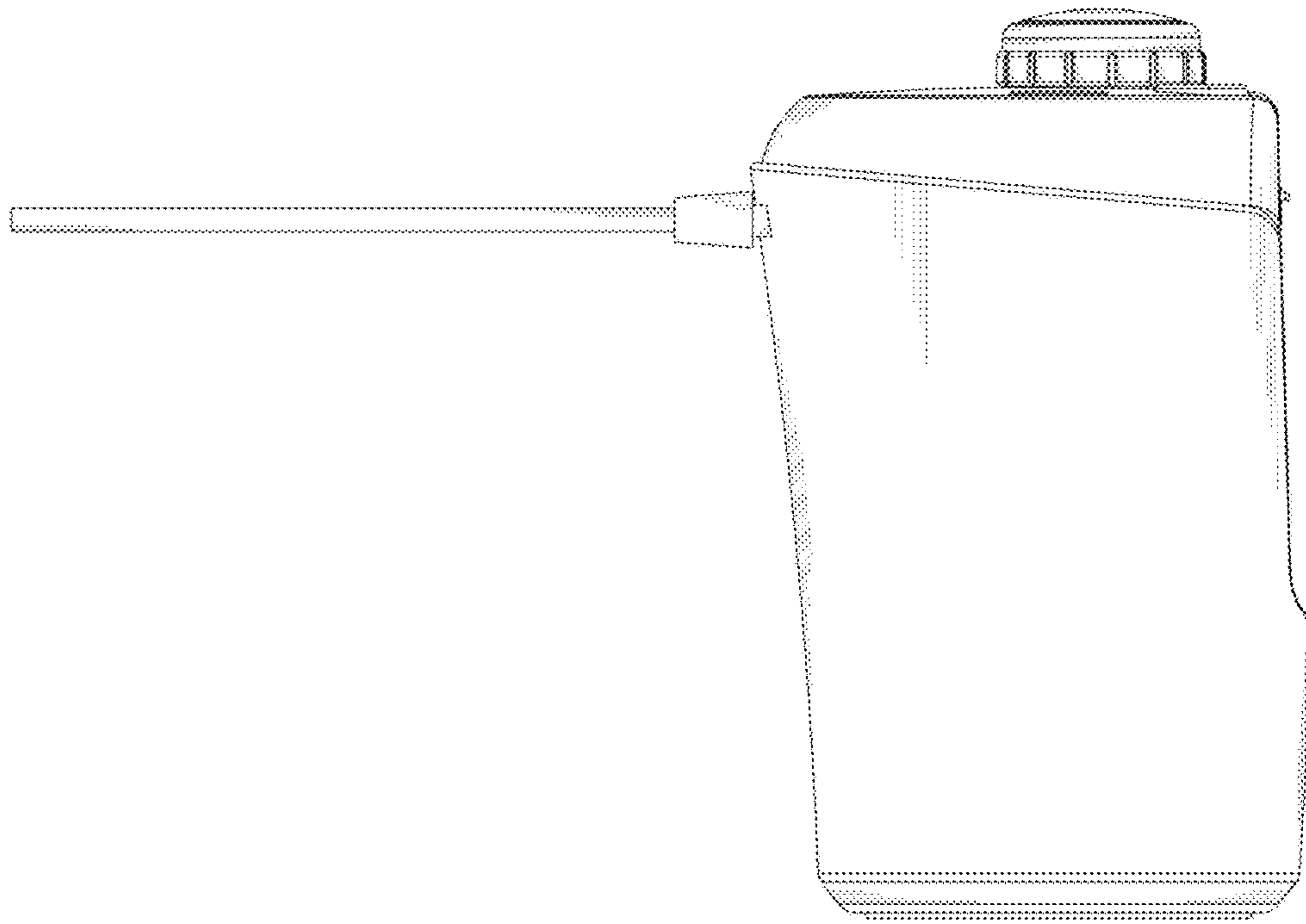


FIG.2

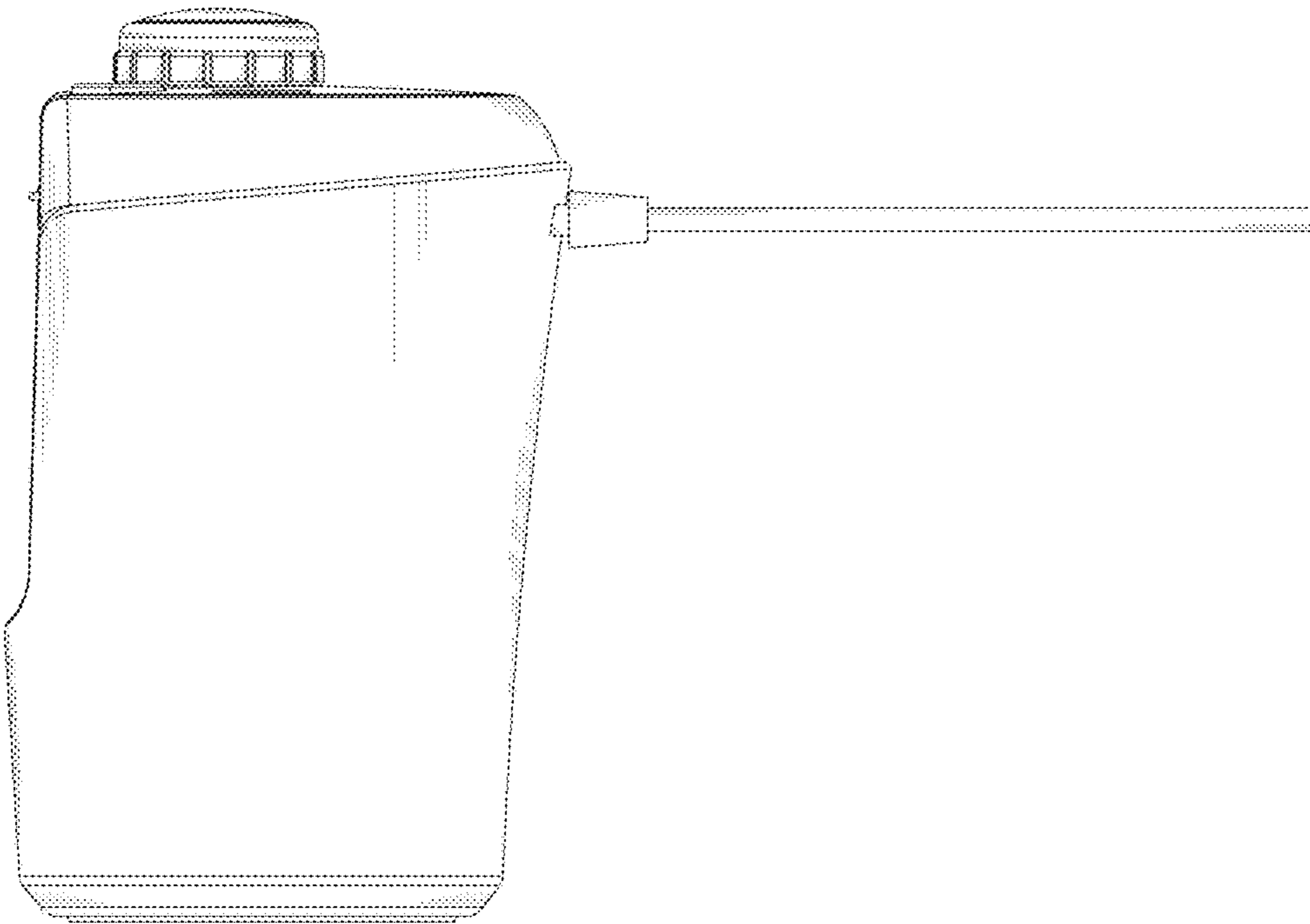


FIG.3

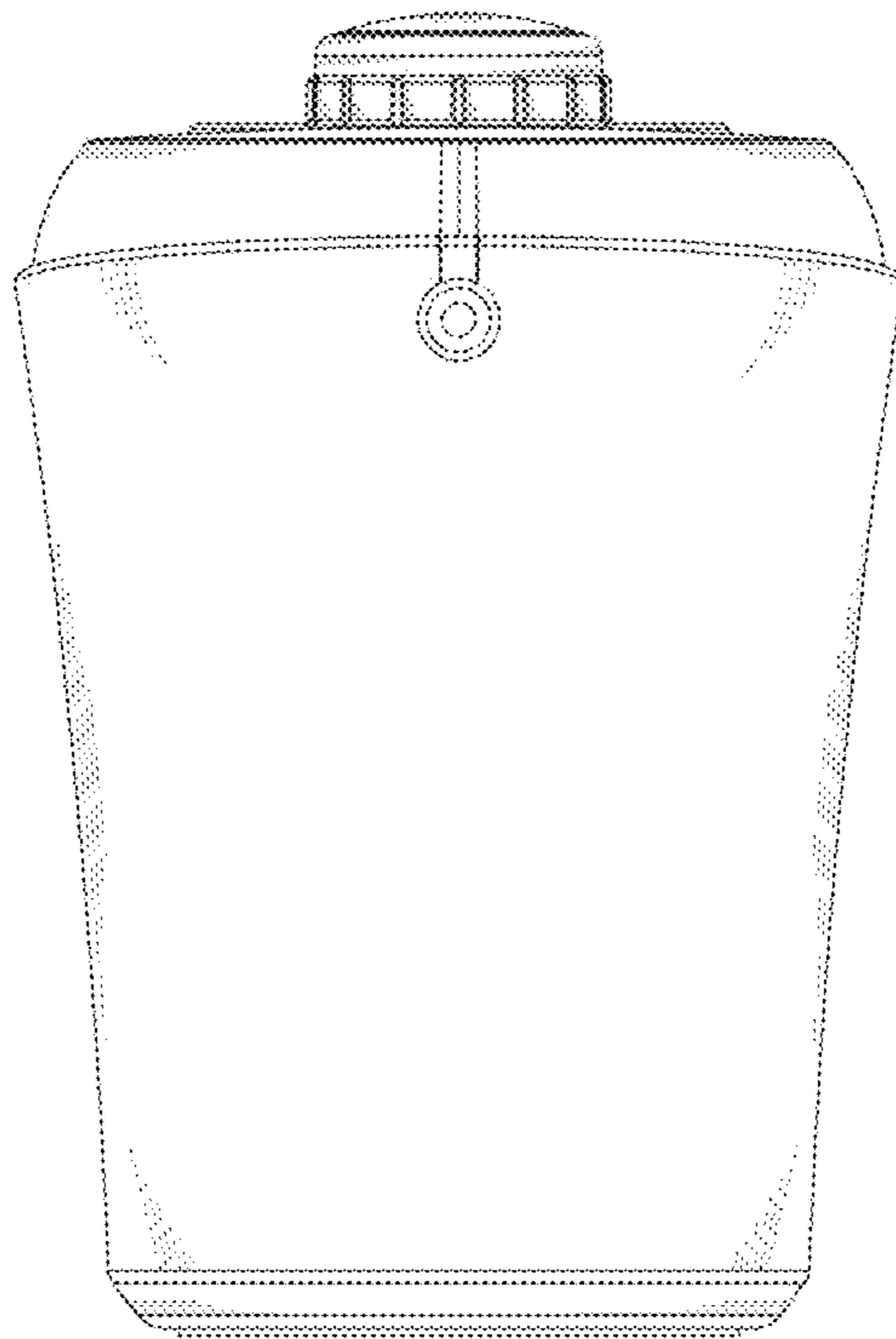


FIG.4

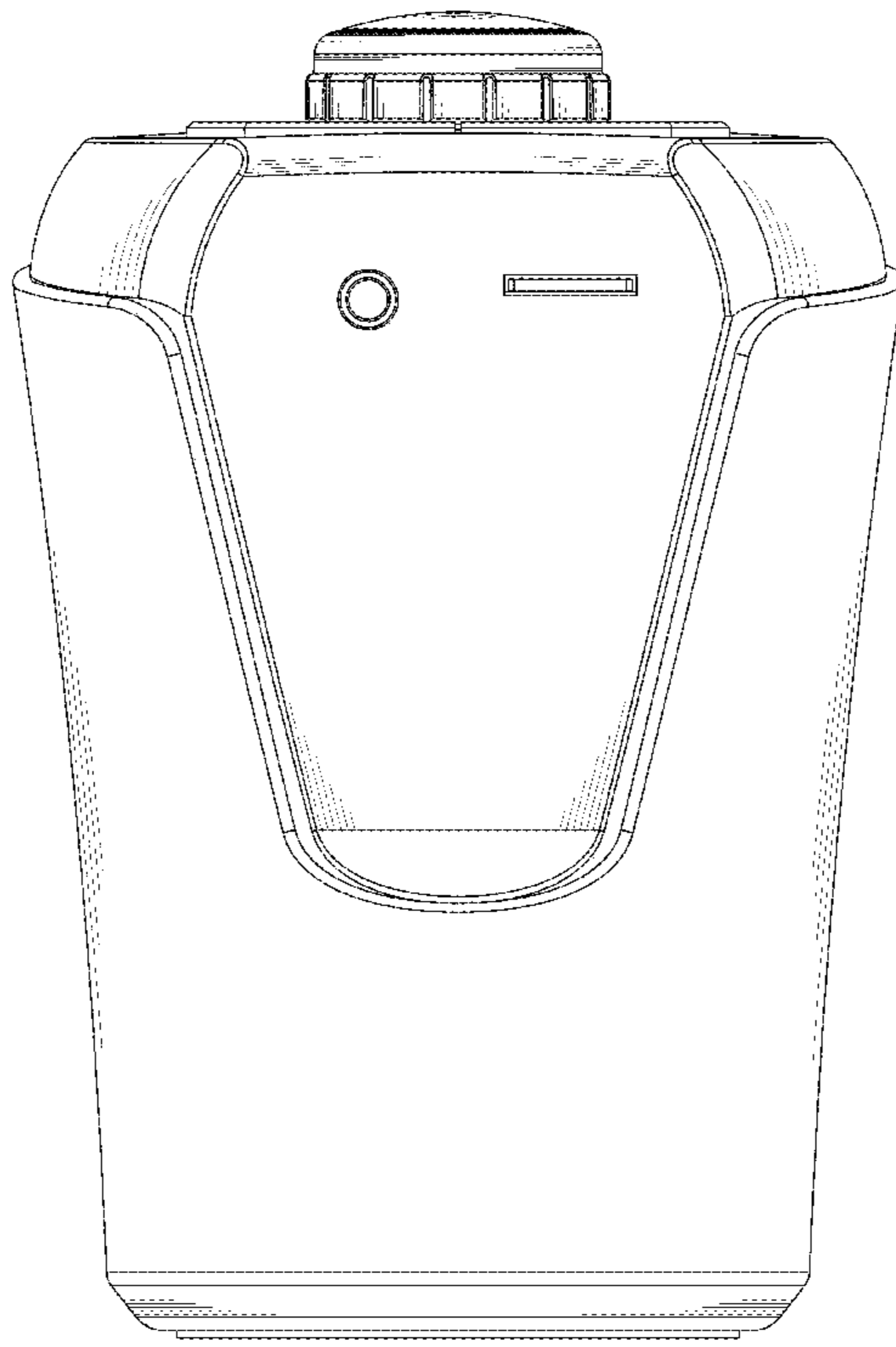


FIG.5

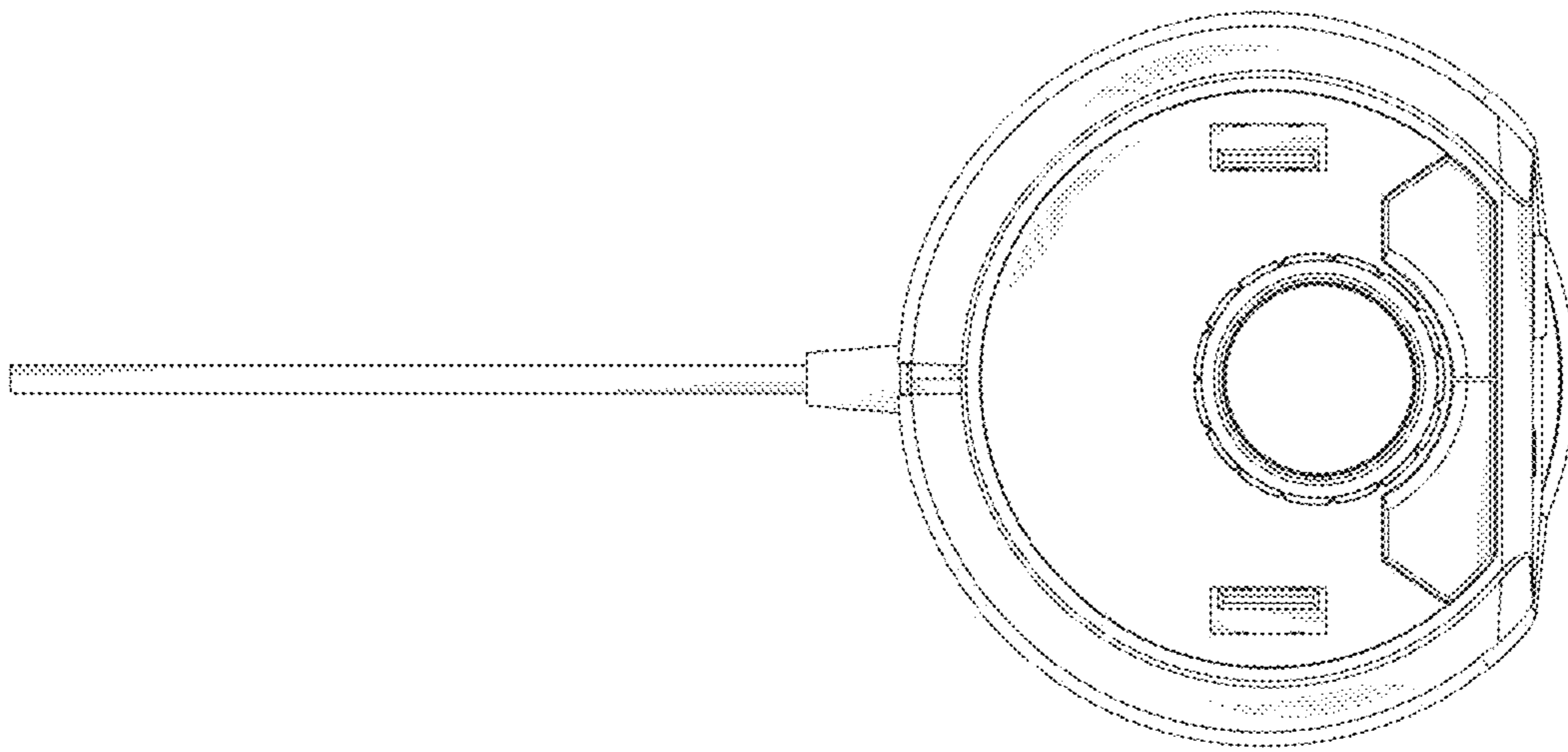


FIG.6

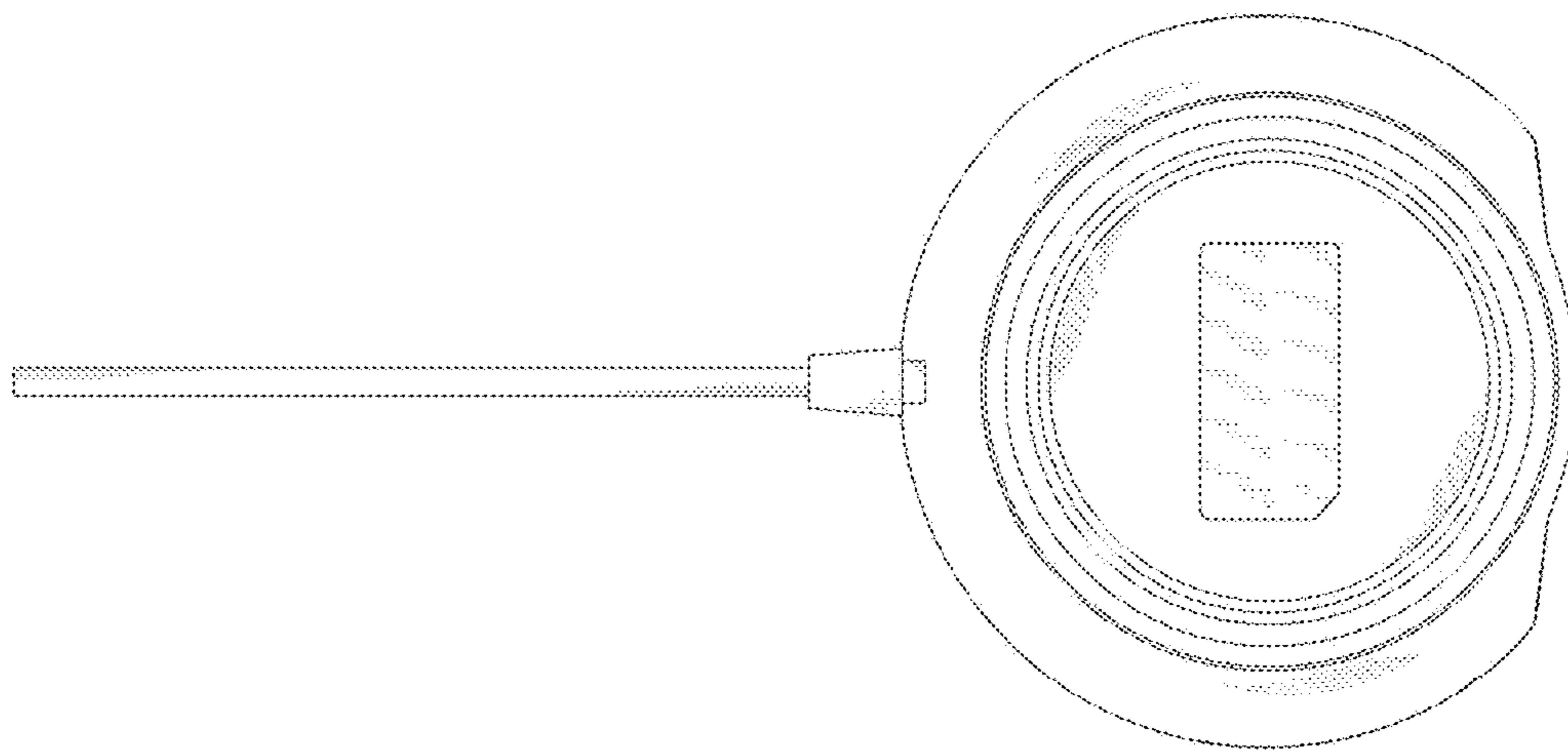


FIG.7