



US00D859351S

(12) **United States Design Patent** (10) **Patent No.:** **US D859,351 S**  
**Park et al.** (45) **Date of Patent:** **\*\* Sep. 10, 2019**

(54) **HIFI ENTERTAINMENT SYSTEM**

(71) Applicant: **LG ELECTRONICS INC.**, Seoul (KR)

(72) Inventors: **Sungyong Park**, Seoul (KR); **Junki Kim**, Seoul (KR); **Sooyoung Park**, Seoul (KR); **Yuonui Chong**, Seoul (KR)

(73) Assignee: **LG ELECTRONICS INC.**, Seoul (KR)

(\*\*) Term: **15 Years**

(21) Appl. No.: **35/505,355**

(22) Filed: **Jan. 26, 2018**

(80) **Hague Agreement Data**

Int. Filing Date: **Jan. 26, 2018**

Int. Reg. No.: **DM/101319**

Int. Reg. Date: **Jan. 26, 2018**

Int. Reg. Pub. Date: **Jul. 27, 2018**

(30) **Foreign Application Priority Data**

Jul. 28, 2017 (KR) ..... 30-2017-0035197

(51) **LOC (12) Cl.** ..... **14-01**

(52) **U.S. Cl.**  
USPC ..... **D14/172**

(58) **Field of Classification Search**

USPC ..... D14/204–216, 221, 265, 496–506, 188, D14/194–198, 203.1, 203.8, 136, 165, D14/168, 172

CPC ..... H04R 1/02; H04R 1/021; H04R 1/023; H04R 5/00; H04R 9/06; H04R 2420/07; H04R 1/025; H04R 1/026; H04R 1/323; H04R 1/403; H04R 1/2803; H04R 1/2834; H04R 5/02; H04R 2201/021; H04R 2400/00; H04R 2400/07; H04R 2499/11; G06F 1/1688

See application file for complete search history.

(56) **References Cited**

U.S. PATENT DOCUMENTS

D148,151 S \* 12/1947 Doblin ..... D14/212  
D519,105 S \* 4/2006 Masui ..... D14/214  
D615,068 S \* 5/2010 Yuasa ..... D14/216  
D616,422 S \* 5/2010 Chen ..... D14/222  
D618,214 S \* 6/2010 Wang ..... D14/209.1

(Continued)

OTHER PUBLICATIONS

LG CK43\_ LG XBOOM 300W Hi-Fi Shelf System, no date available, [online], [site visited Apr. 9, 2019]. Retrieved from url:https://www.lg.com/us/home-audio/lg-CK43-mini-shelf (Year: 2019).\*

(Continued)

*Primary Examiner* — Jeffrey D Asch

*Assistant Examiner* — Tracey J Bell

(74) *Attorney, Agent, or Firm* — Birch, Stewart, Kolasch & Birch, LLP

(57) **CLAIM**

The ornamental design for a Hi-Fi entertainment system, as shown and described.

**DESCRIPTION**

1. Hi-Fi entertainment system

**1.1** : Perspective

**1.2** : Front

**1.3** : Back

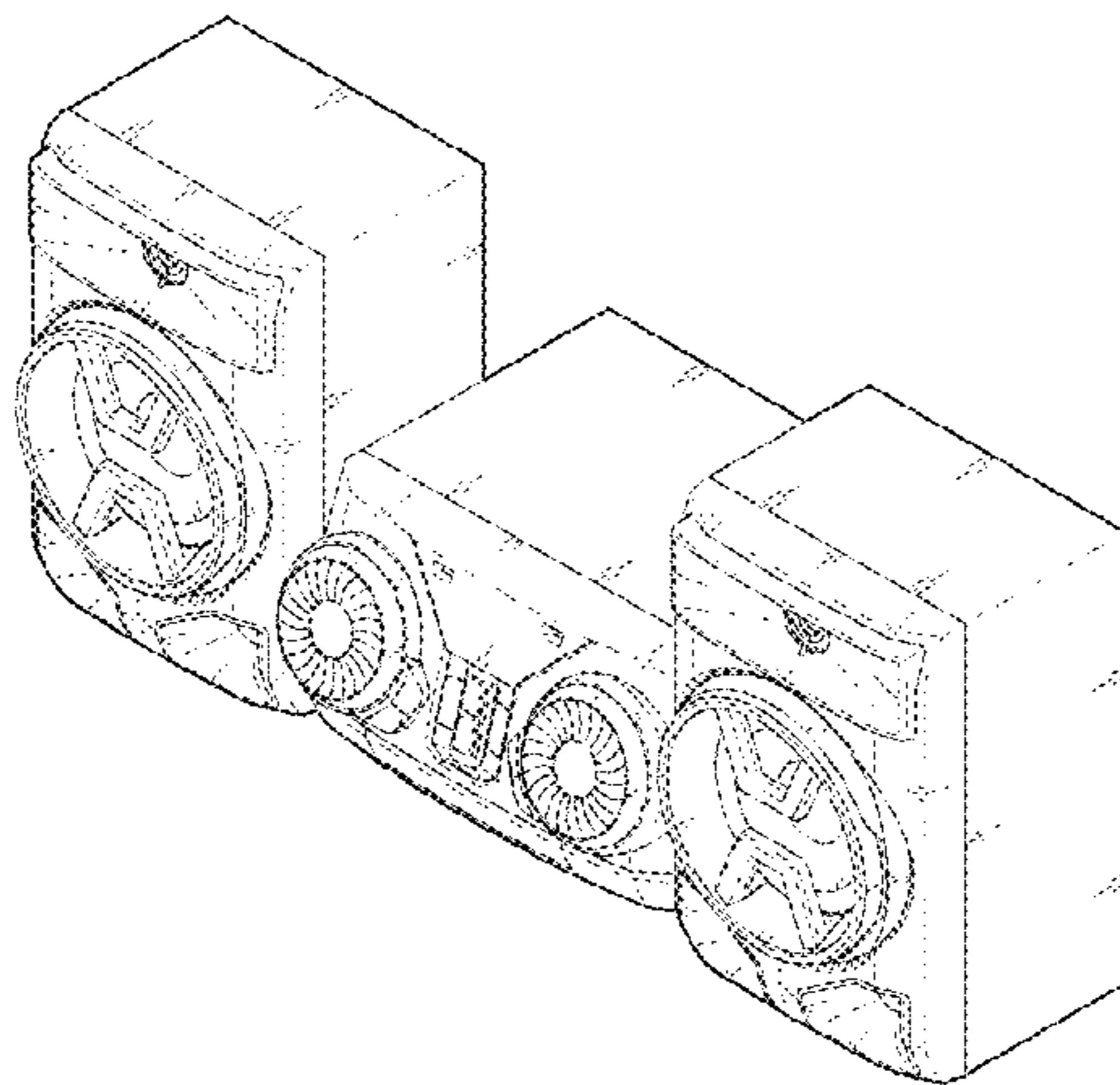
**1.4** : Left

**1.5** : Top

**1.6** : Bottom

Reproduction **1.1** is a front perspective view of the Hi-Fi entertainment system; reproduction **1.2** is a front view thereof; reproduction **1.3** is a back view thereof; reproduction **1.4** is a left view thereof where the right view is a mirror image; reproduction **1.5** is a top view thereof; reproduction **1.6** is a bottom view thereof.

**1 Claim, 6 Drawing Sheets**



(56)

**References Cited**

U.S. PATENT DOCUMENTS

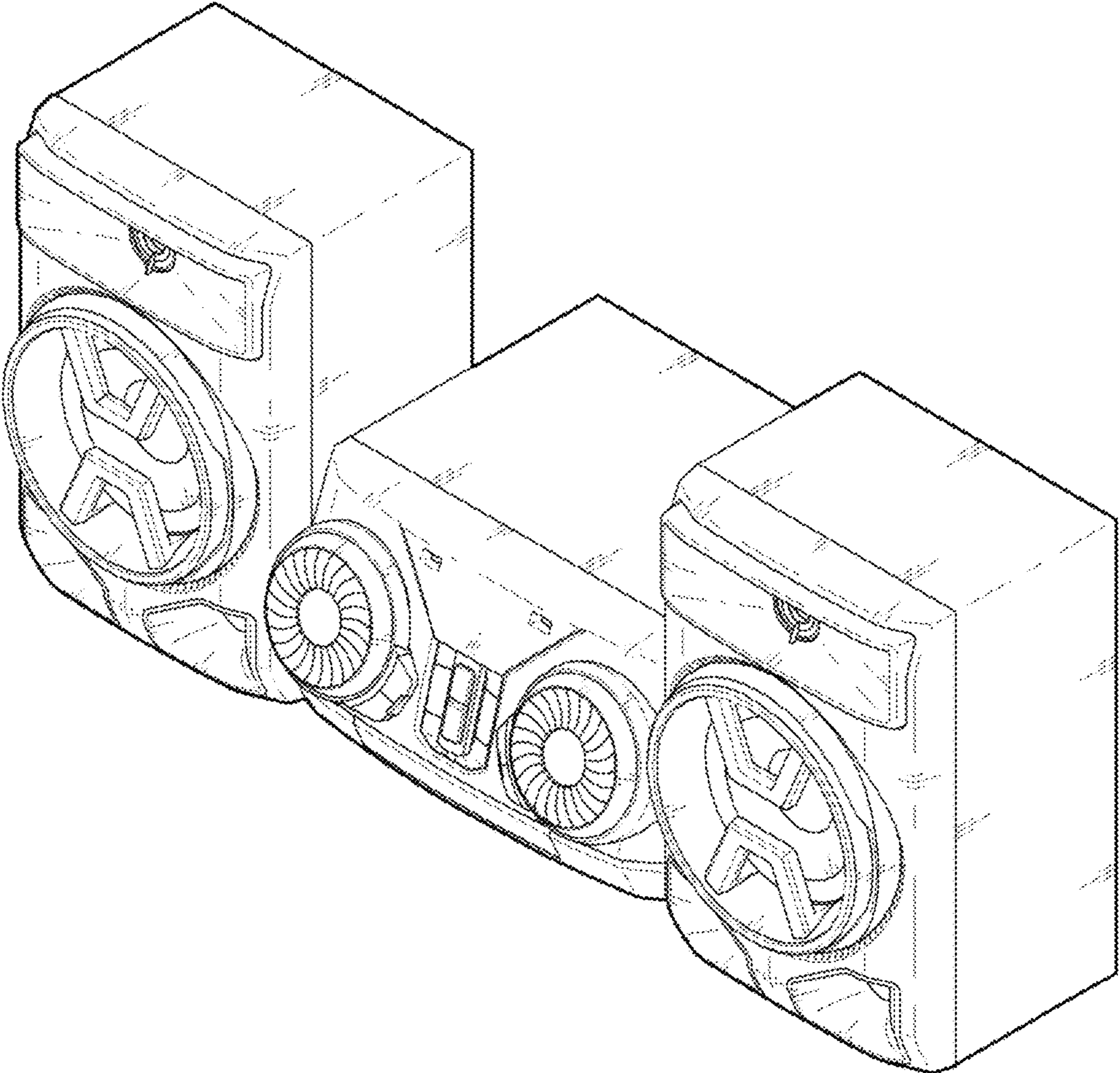
|            |   |         |        |       |           |
|------------|---|---------|--------|-------|-----------|
| D627,329 S | * | 11/2010 | Ryu    | ..... | D14/168   |
| D628,553 S | * | 12/2010 | Cho    | ..... | D14/168   |
| D678,240 S | * | 3/2013  | Park   | ..... | D14/172   |
| D775,107 S | * | 12/2016 | Green  | ..... | D14/221   |
| D777,705 S | * | 1/2017  | Wang   | ..... | D14/215   |
| D777,707 S | * | 1/2017  | Kimura | ..... | D14/216   |
| D779,456 S | * | 2/2017  | Cho    | ..... | D14/204   |
| D829,191 S | * | 9/2018  | Yang   | ..... | D14/214   |
| D836,601 S | * | 12/2018 | Yang   | ..... | D14/209.1 |
| D840,375 S | * | 2/2019  | Sakata | ..... | D14/216   |

OTHER PUBLICATIONS

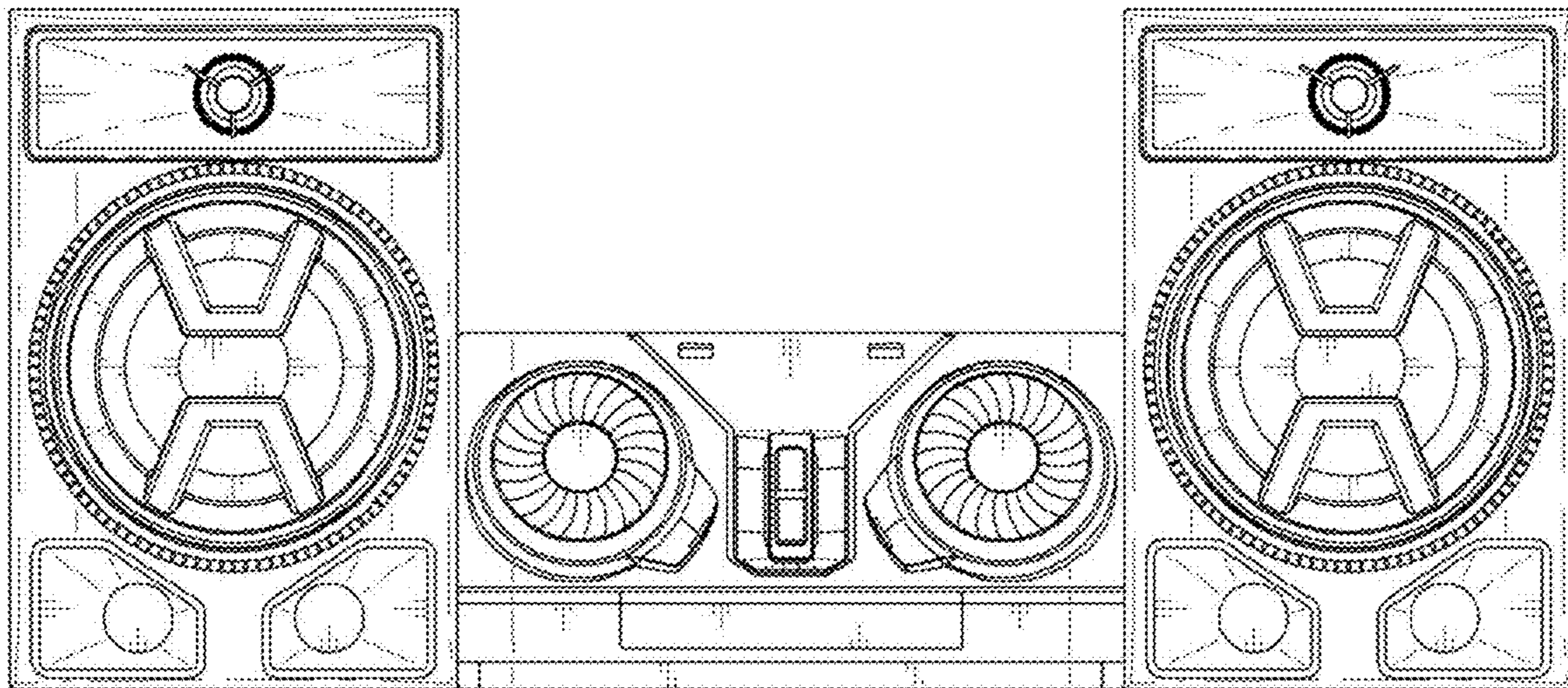
LG CM8460\_ LG XBOOM 2750W Hi-Fi Entertainment System ,  
no date available, [online], [site visited Apr. 12, 2019]. Retrieved  
from url:<https://www.lg.com/us/home-audio/lg-CM8460-mini-shelf> (Year: 2019).\*

\* cited by examiner

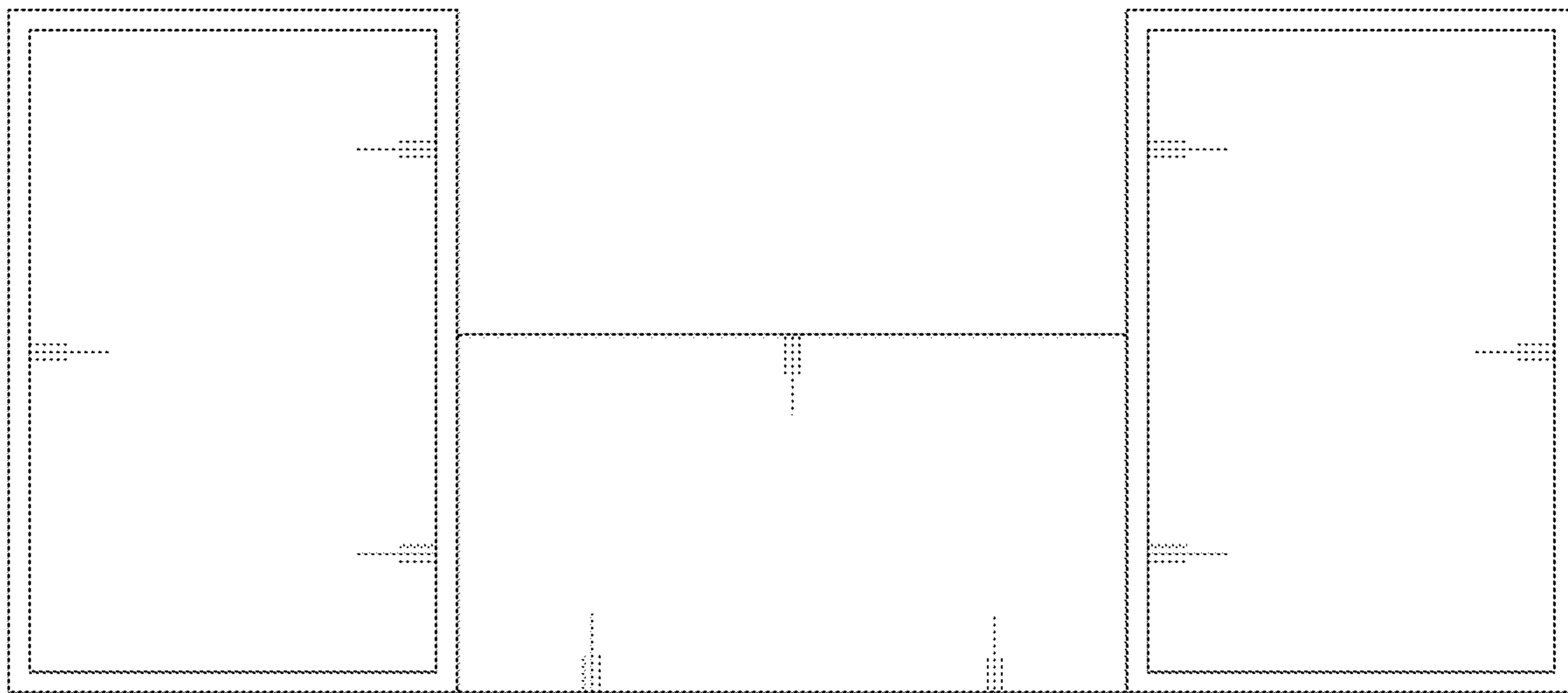
1.1



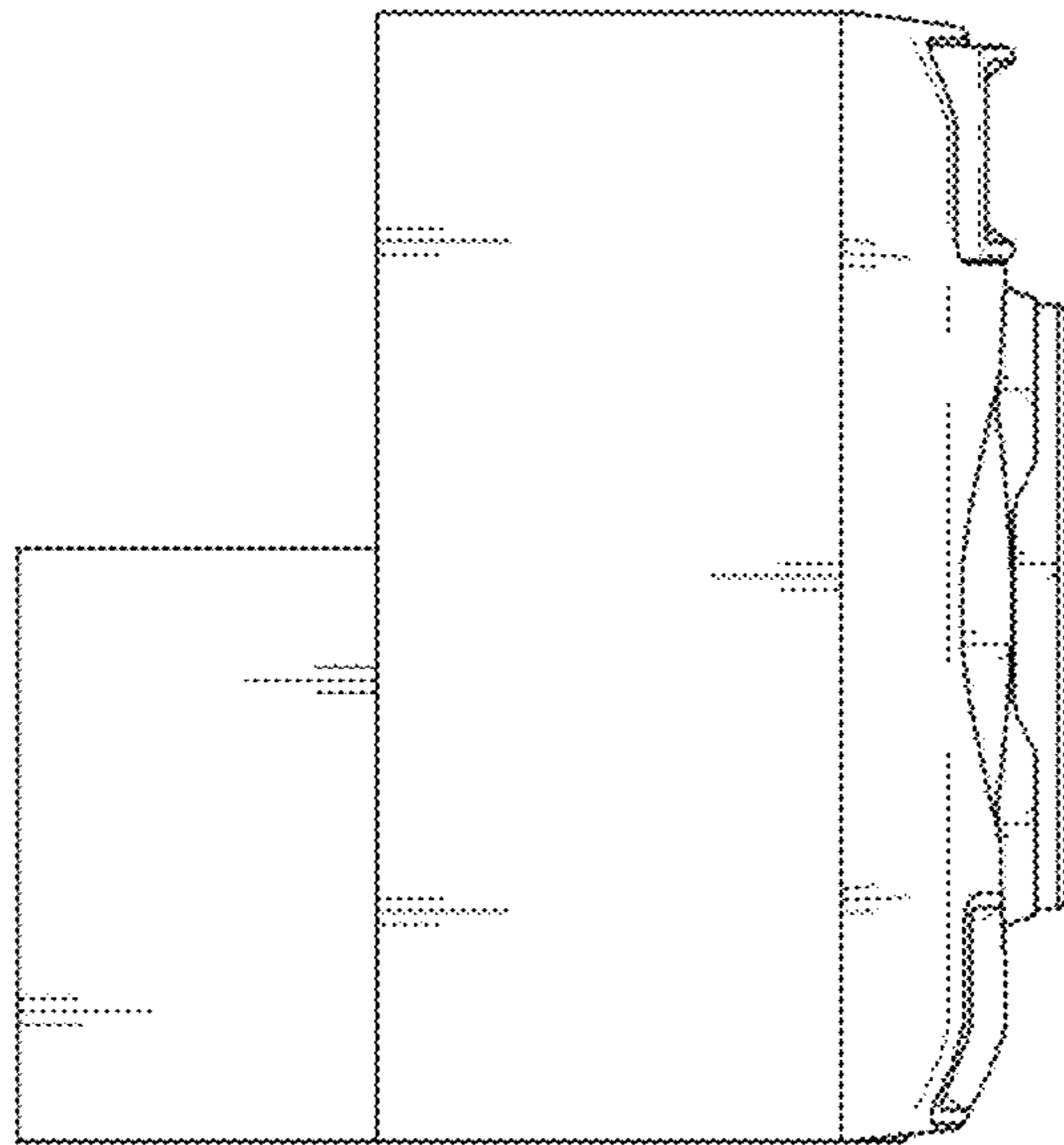
1.2



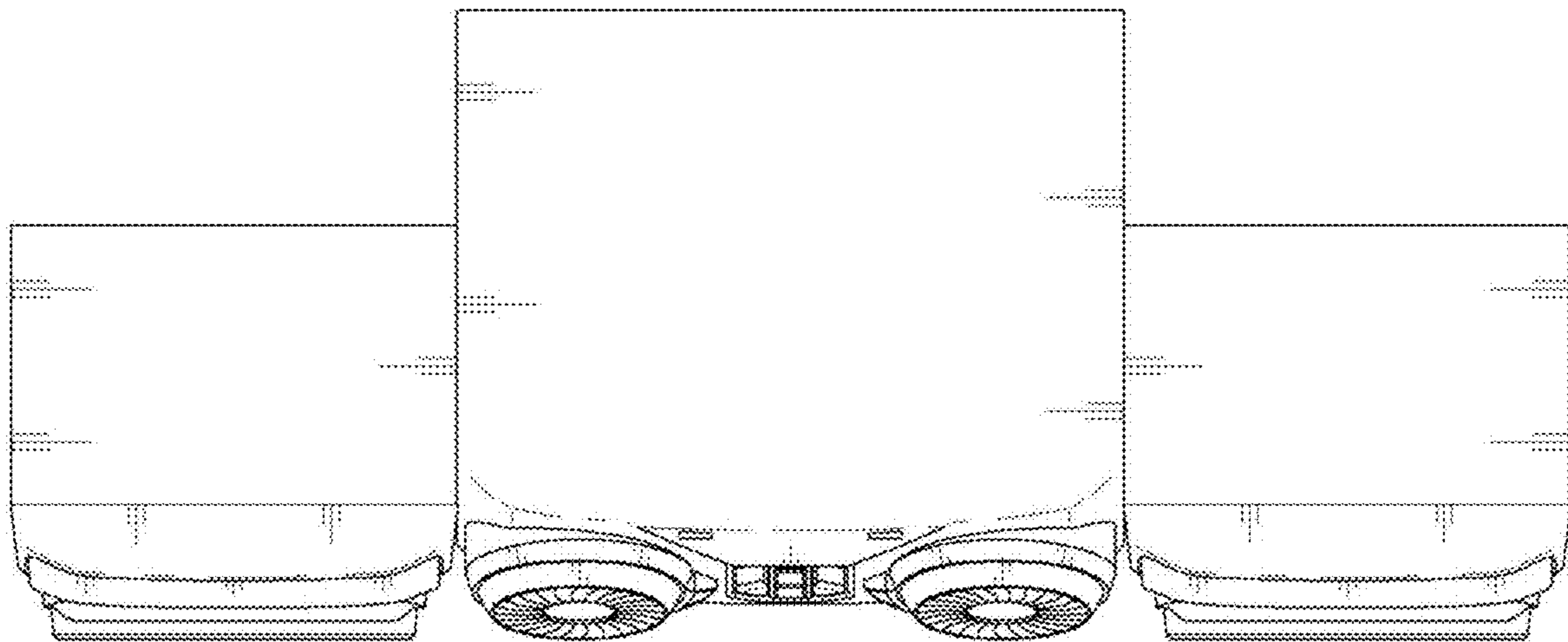
1.3



1.4



1.5



1.6

