



US00D859349S

(12) **United States Design Patent** (10) **Patent No.:** **US D859,349 S**
Yeom (45) **Date of Patent:** **** Sep. 10, 2019**

(54) **FLEXIBLE ELECTRONIC DEVICE**

FOREIGN PATENT DOCUMENTS

(71) Applicant: **Lenovo (Beijing) Co., Ltd.**, Beijing (CN)

CN 303387364 4/2015 14/3

(72) Inventor: **Jihun Yeom**, Beijing (CN)

OTHER PUBLICATIONS

(73) Assignee: **Lenovo (Beijing) Co., Ltd.**, Beijing (CN)

Lenovo Foldable and Flexible Phone and Tablet Concept, Jun. 11, 2017, [online], [site visited Feb. 22, 2017]. Retrieved from Url:https://www.concept-phones.com/lenovo/lenovo-foldable-flexible-phone-tablet-concept-predict-interesting-2017-video/ (Year:2016).

(**) Term: **15 Years**

(Continued)

(21) Appl. No.: **29/659,053**

Primary Examiner — Cathron C Brooks

(22) Filed: **Aug. 6, 2018**

Assistant Examiner — Tracey J Bell

Related U.S. Application Data

(74) *Attorney, Agent, or Firm* — Oppedahl Patent Law Firm LLC

(62) Division of application No. 29/627,821, filed on Nov. 29, 2017, now Pat. No. Des. 828,321, which is a (Continued)

(57) **CLAIM**

(30) **Foreign Application Priority Data**

The ornamental design for a flexible electronic device, as shown and described.

Nov. 4, 2015 (CN) 2015 3 0435397

DESCRIPTION

(51) **LOC (12) Cl.** **14-03**

(52) **U.S. Cl.**
USPC **D14/138 AB**; D14/345

(58) **Field of Classification Search**
USPC D14/138 AA, 138 AB, 138 AC, 138 AD, D14/138 C, 138 R, 138 G, 248, 341, 345, D14/203.7, 371, 137; D21/329; D10/50, D10/65

CPC .. H04M 1/027; H04M 1/0202; H04M 1/0279; H04M 1/0235; H04M 1/0237; H04M 1/0239; H04M 1/0266; H04M

(Continued)

FIG. 1 is a perspective view of a flexible electronic device showing the new design;
FIG. 2 is a front view thereof;
FIG. 3 is a back view thereof;
FIG. 4 is a left side view thereof;
FIG. 5 is a right side view thereof;
FIG. 6 is a top view thereof;
FIG. 7 is a bottom view thereof;
FIG. 8 is a perspective view of the flexible electronic device shown in a first bending position;
FIG. 9 is a left side view of FIG. 8;
FIG. 10 is a perspective view of the flexible electronic device shown in a second bending position; and,
FIG. 11 is a left side view of FIG. 10.

The features shown in broken lines in the drawings form no part of the claimed design.

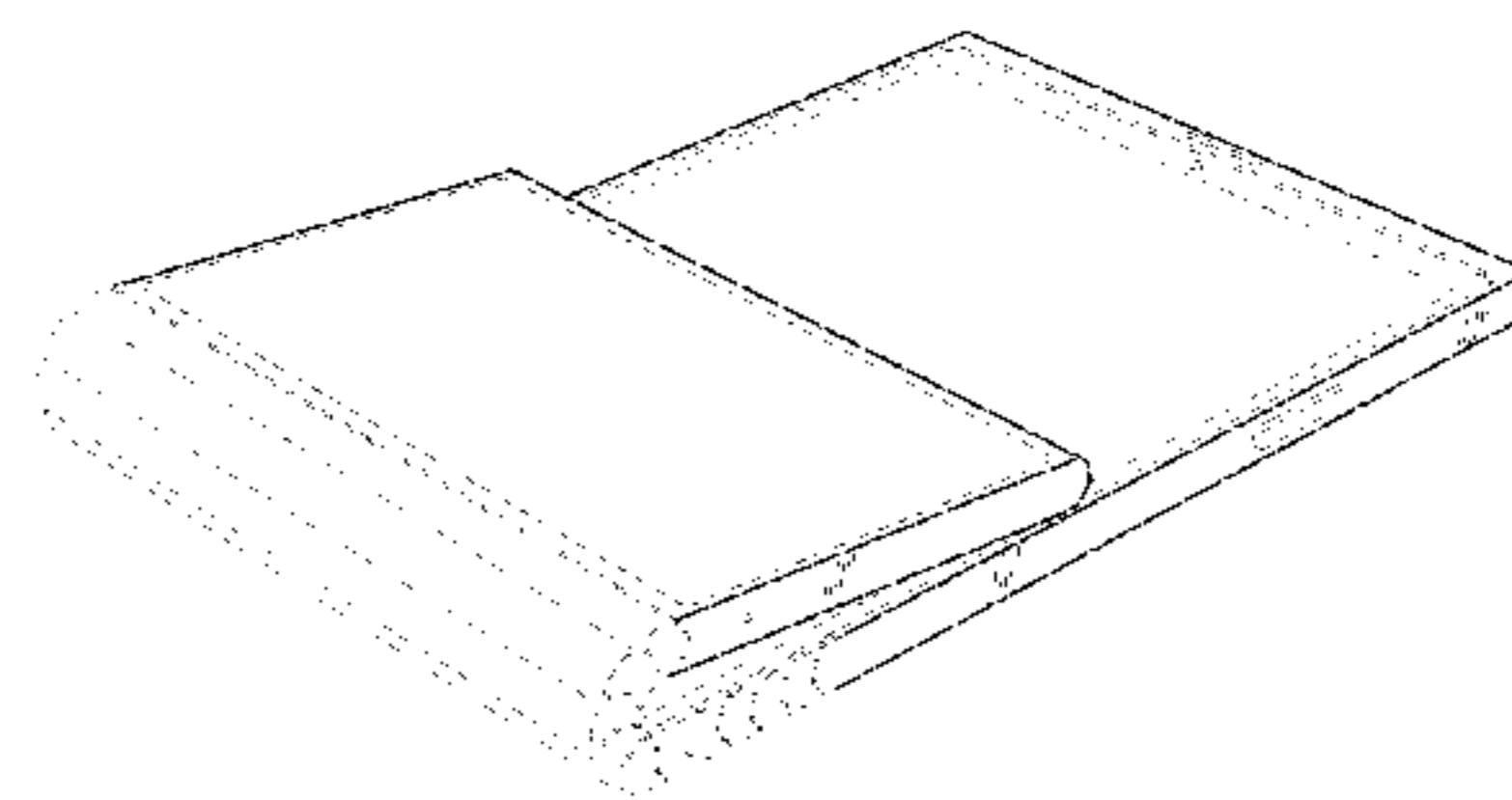
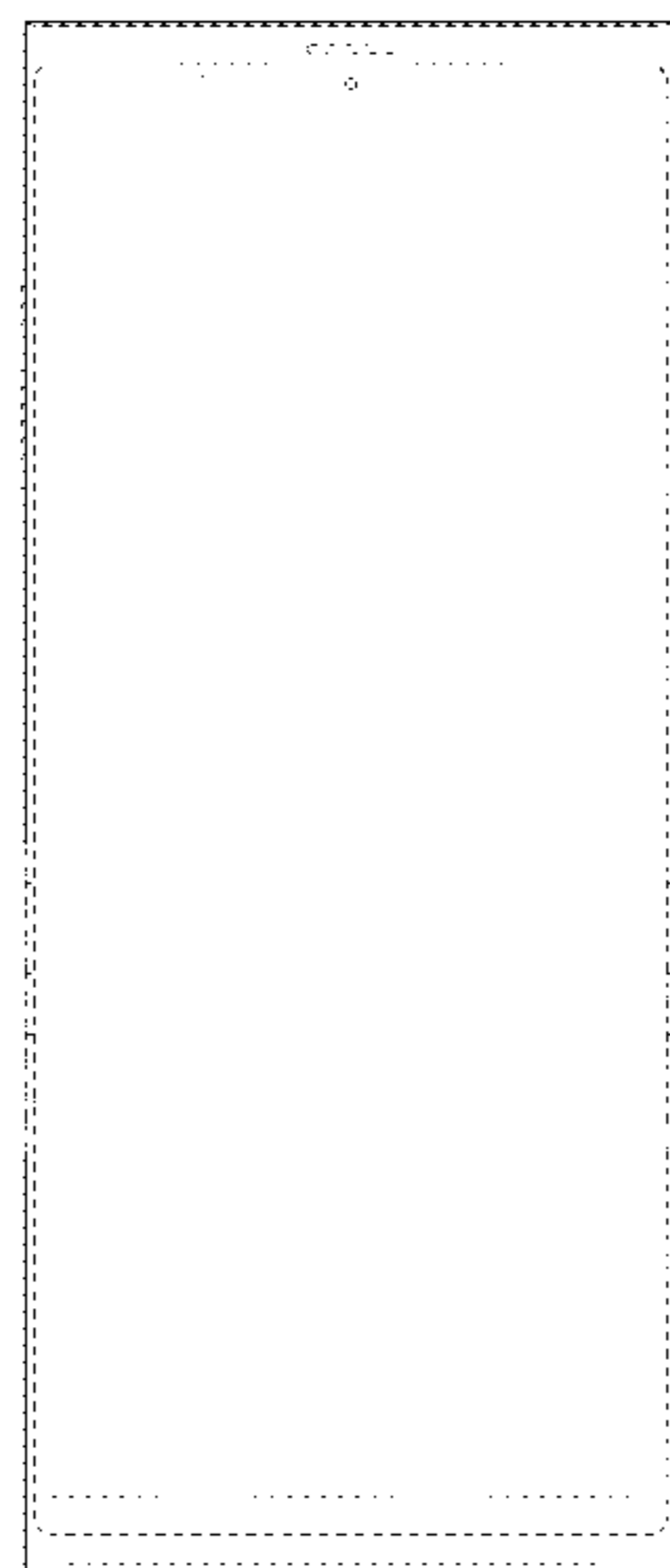
(56) **References Cited**

U.S. PATENT DOCUMENTS

D224,602 S 8/1972 Poon D11/12
D333,544 S 2/1993 Uehara D34/29

(Continued)

1 Claim, 8 Drawing Sheets



Related U.S. Application Data

division of application No. 29/563,416, filed on May 4, 2016, now abandoned.

(58) **Field of Classification Search**

CPC .. 1/0268; H04M 1/0295; G06F 1/1652; G06F 1/1641; G06F 1/1647; G06F 1/1626

See application file for complete search history.

(56) **References Cited**

U.S. PATENT DOCUMENTS

D468,657 S 1/2003 Calvani D11/12
 6,684,089 B1 1/2004 Lee G06F 1/1626
 361/724
 D588,487 S 3/2009 Hartzband D11/12
 D613,637 S 4/2010 Grassi Damiani D11/13
 D642,074 S 7/2011 Chastaingt D10/32
 D723,541 S 3/2015 Sohn D14/315
 9,013,864 B2 4/2015 Griffin H04M 1/0216
 16/382
 9,047,055 B2 6/2015 Song E05D 3/14
 D736,664 S 8/2015 Paradise
 D738,734 S 9/2015 Cripe D14/138 AB
 9,158,332 B2 10/2015 Vanska G06F 1/16
 9,164,547 B1 10/2015 Kwon G06F 1/1656
 9,173,287 B1 10/2015 Kim H05K 1/028
 D748,625 S * 2/2016 Takahashi D14/345
 9,337,434 B2 5/2016 Lindblad H01L 51/52
 9,343,362 B2 5/2016 Ko G06F 1/1626
 9,354,476 B2 5/2016 Han G02F 1/13452
 D767,525 S * 9/2016 Byun D14/138 AB
 D767,526 S * 9/2016 Lee D14/138 AB
 9,489,080 B2 11/2016 Seo G01F 1/1641
 9,506,279 B2 11/2016 Kauhaniemi G06F 1/1652
 D774,015 S 12/2016 Park D14/138 AB
 D782,439 S * 3/2017 Choo D14/138 AA
 D786,816 S * 5/2017 Choo D14/138 AA
 D788,726 S 6/2017 Lee D14/138 AB
 D796,500 S * 9/2017 Yeom D14/341
 D797,070 S * 9/2017 Lee D14/138 AB
 D798,256 S * 9/2017 Choo D14/138 AA
 9,798,359 B2 10/2017 Seo G06F 1/1681
 D804,443 S 12/2017 Kang D14/138 AE
 D814,435 S 4/2018 Kwon D14/138 AB
 D825,518 S * 8/2018 Kikuchi D14/138 AB
 D828,321 S * 9/2018 Yeom D14/138 AB
 D841,612 S * 2/2019 Kwon D14/138 AB
 2011/0241998 A1 * 10/2011 McKinney G06F 1/1616
 345/168
 2012/0307423 A1 12/2012 Bohn G06F 1/1641
 361/79.01
 2013/0216740 A1 8/2013 Russell-Clarke B23K 26/38
 426/33
 2014/0111954 A1 * 4/2014 Lee G06F 1/1641
 361/749
 2014/0198036 A1 * 7/2014 Kim G06F 1/1652
 345/156
 2014/0218321 A1 * 8/2014 Lee G06F 1/1652
 345/173
 2014/0226275 A1 * 8/2014 Ko G06F 1/1626
 361/679.27
 2014/0241551 A1 8/2014 Kim B23K 26/38
 426/33

2014/0362513 A1 12/2014 Nurmi G06F 1/1652
 361/679.27
 2015/0043174 A1 2/2015 Han H04R 3/12
 381/306
 2015/0062840 A1 3/2015 Kim
 2015/0207102 A1 * 7/2015 Jeong H01L 51/5256
 257/40
 2015/0361696 A1 * 12/2015 Tazbaz H04M 1/022
 361/679.27
 2015/0370287 A1 * 12/2015 Ko G06F 1/1626
 361/749
 2015/0381929 A1 12/2015 Lee H04M 1/0202
 348/14.03
 2016/0026219 A1 * 1/2016 Kim H04M 1/0245
 345/173
 2016/0048170 A1 2/2016 Kim G06F 3/0414
 345/173
 2016/0070304 A1 * 3/2016 Shin H04M 1/0268
 361/679.26
 2016/0116944 A1 * 4/2016 Lee H04M 1/022
 361/679.26
 2016/0132075 A1 5/2016 Tazbaz G06F 1/1681
 361/679.27
 2016/0195901 A1 * 7/2016 Kauhaniemi G06F 1/1652
 361/679.27
 2016/0291642 A1 * 10/2016 Kwak G06F 1/1652
 2016/0324023 A1 11/2016 Kim G06F 1/16
 2016/0357221 A1 12/2016 Huh G06F 1/1652
 2016/0357222 A1 12/2016 Seo G06F 1/1652
 2016/0370828 A1 12/2016 Hsu G06F 1/1652
 2017/0038915 A1 2/2017 Choi G06F 3/0481
 2017/0052698 A1 2/2017 Seo G06F 1/1641
 2017/0069299 A1 * 3/2017 Kwak G06F 3/147
 2017/0075389 A1 3/2017 Yeom G06F 1/1652
 2017/0090681 A1 3/2017 Gao G06F 1/1652
 2017/0094168 A1 * 3/2017 Kang H04M 1/0264
 2017/0102738 A1 4/2017 Park G06F 1/1652
 2017/0142848 A1 5/2017 Yeo H05K 1/023
 2017/0199712 A1 7/2017 Lee G01B 7/22
 2017/0357289 A1 12/2017 Ahn G06F 1/1641
 2018/0011515 A1 1/2018 Yoo G06F 1/1636
 2018/0035208 A1 2/2018 Choi G06F 1/1652
 2018/0039387 A1 2/2018 Cheong G06F 3/04847
 2018/0039408 A1 * 2/2018 Cheong G06F 1/1652
 2018/0049329 A1 * 2/2018 Seo E05D 3/06
 2018/0070460 A1 * 3/2018 Han G06F 1/1652
 2018/0109871 A1 * 4/2018 Huh G06F 1/1652
 2018/0164852 A1 * 6/2018 Lim H04M 1/0214
 2018/0234530 A1 * 8/2018 Lee H04M 1/02

OTHER PUBLICATIONS

Nokia 888 Mobile Phone by Tamer Nakisci, Yanko Design, Sep. 30, 2005, [online], [site visited Apr. 10, 2018]. Retrieved from url:https://www.yankodesign.com/2005/09/30/nokia-888-mobile-phone-by-tamer-nakisci/ (Year: 2005).
 Kyocera Unveils Kinetic Flexible OLED Cell Phone, Ariel Schwartz, Inhabitat, Apr. 16, 2009, [online], [site visited Apr. 10, 2018]. Retrieved from url:https://inhabitat.com/kyocera-unveils-kinetic-flexible-oled-cell-phone/ (Year: 2009).
 I Just Died and Went to Samsung Galaxy Heaven, Radhika Seth, Yanko Design, Jul. 26, 2011, [site visited Apr. 10, 2018]. Retrieved from url:https://www.yankodesign.com/2011/07/26/i-just-died-and-went-to-samsung-galaxy-heaven/comment-page-4/ (Year:2011).

* cited by examiner

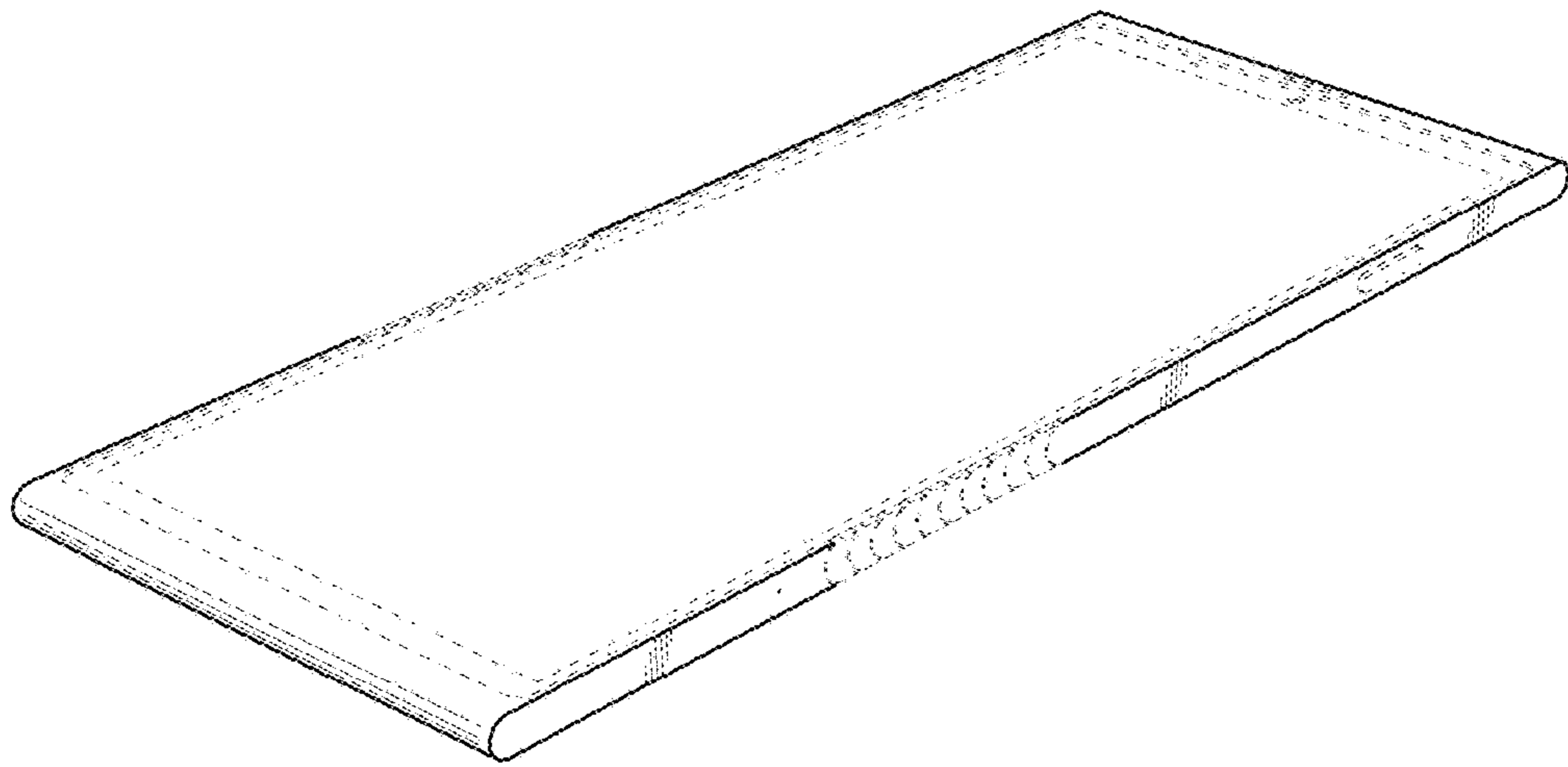


Fig. 1

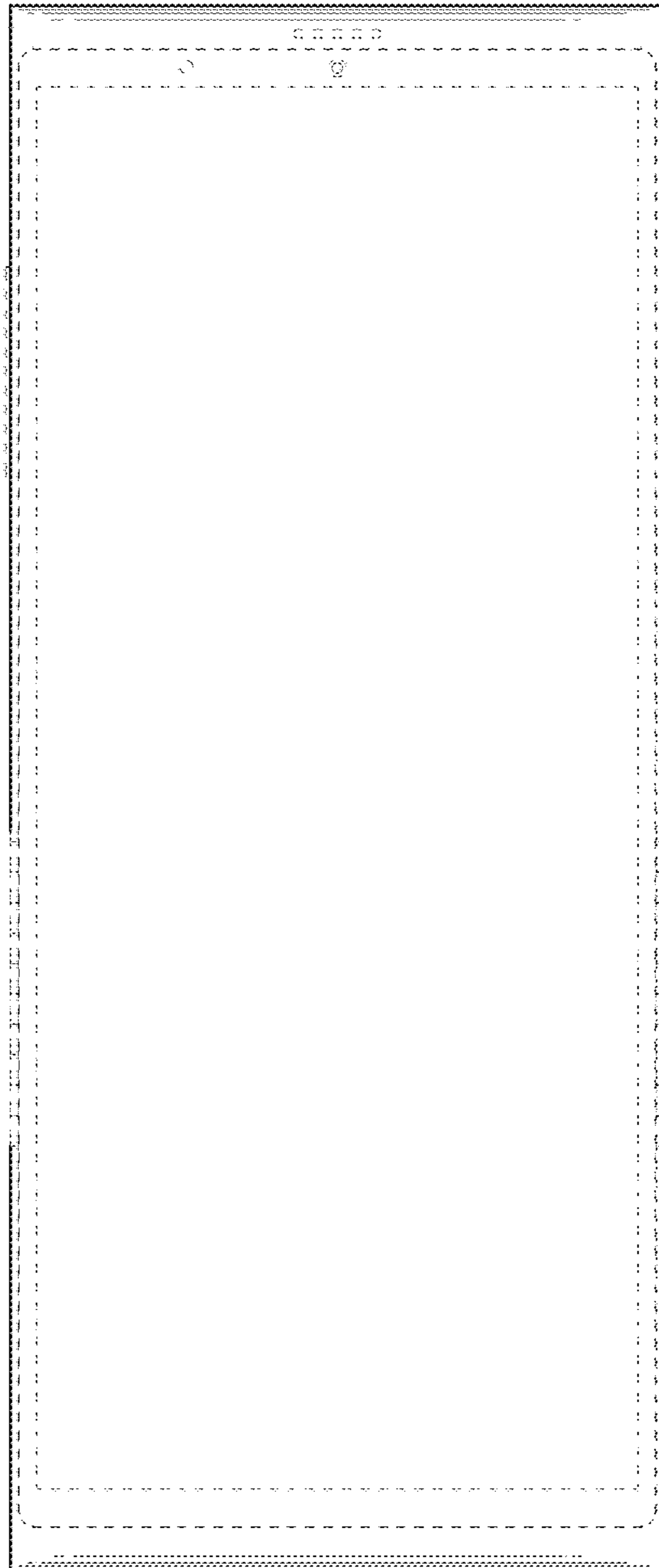


Fig. 2

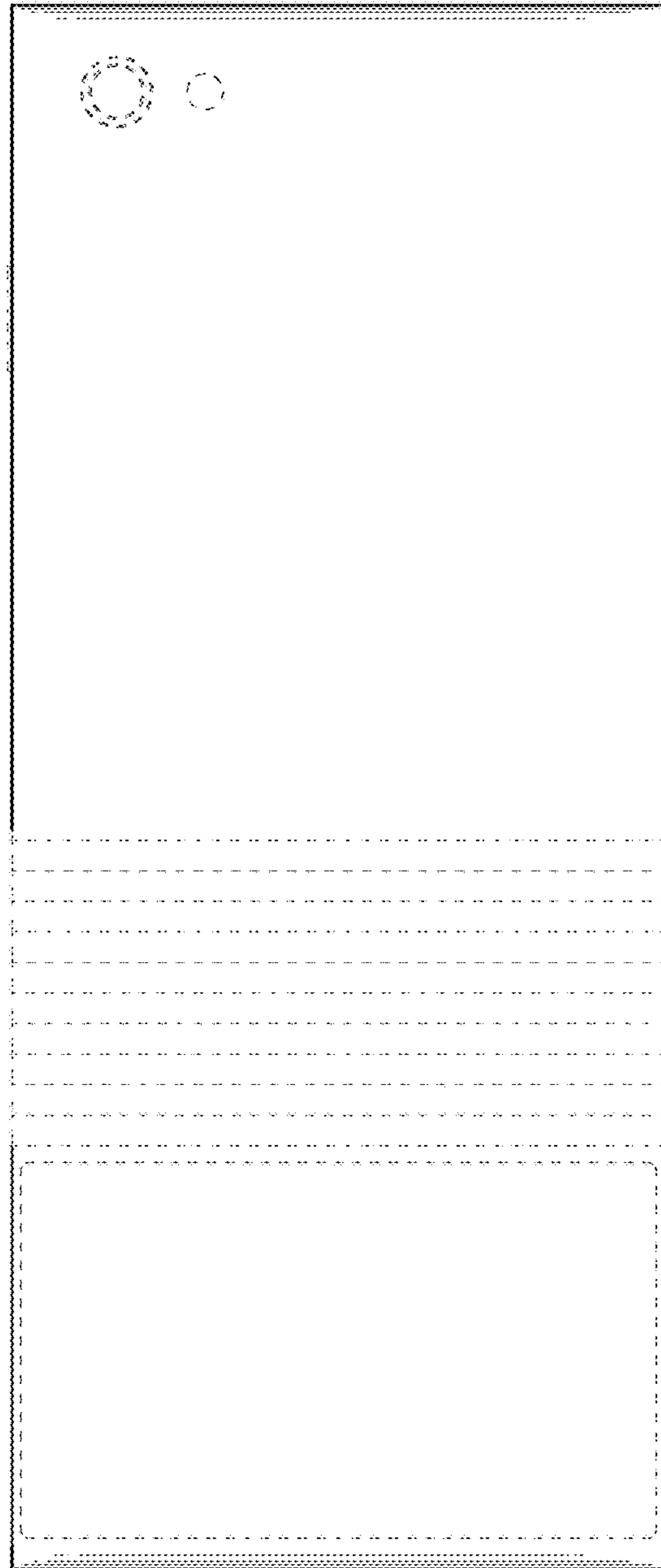


Fig. 3



Fig. 4

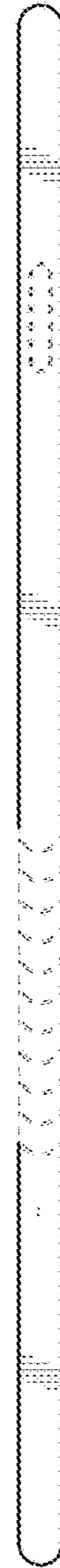


Fig. 5



Fig. 6



Fig. 7

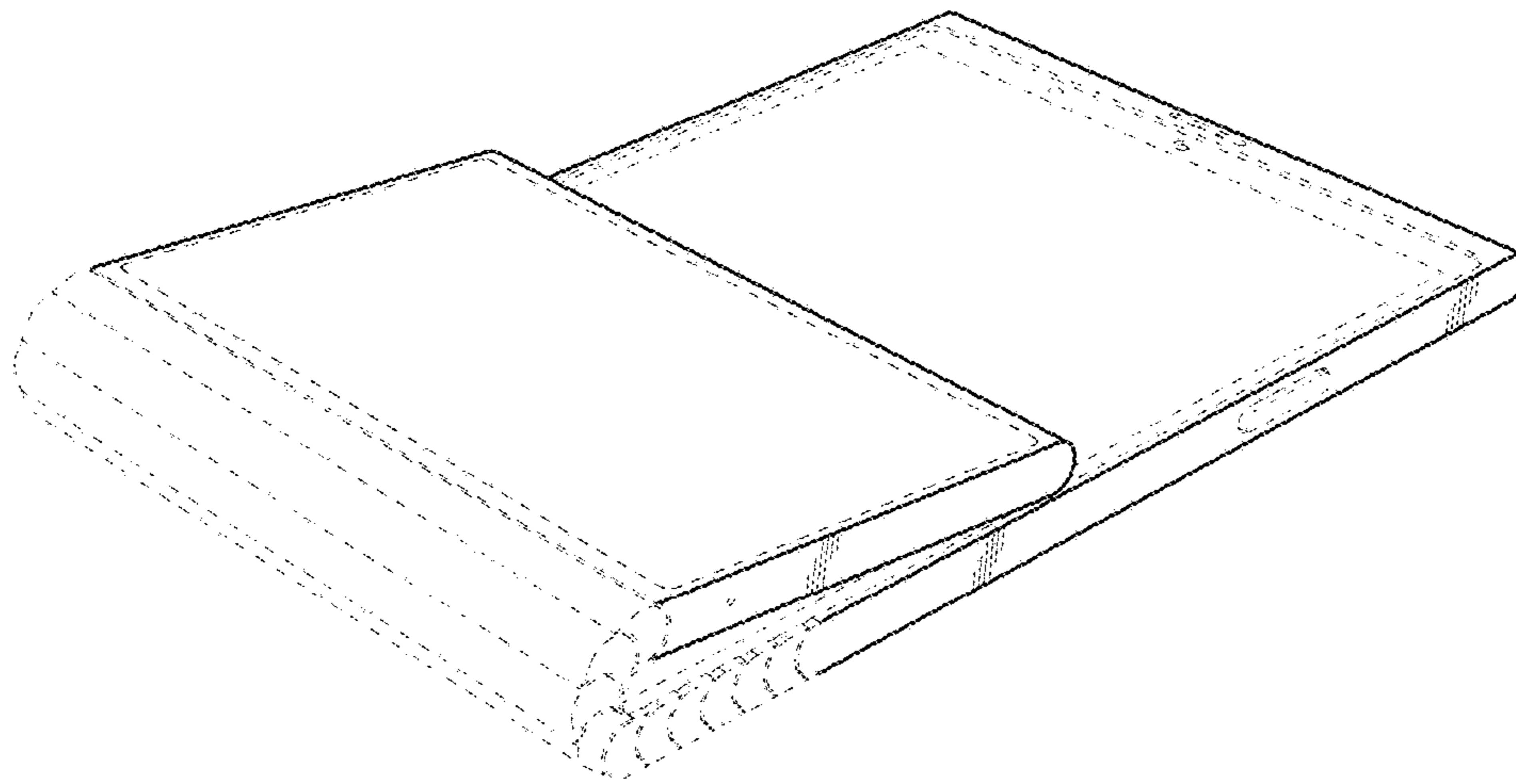


Fig. 8

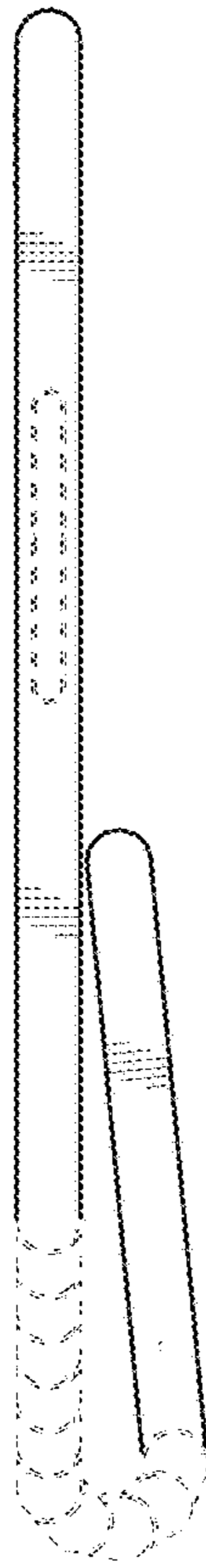


Fig. 9

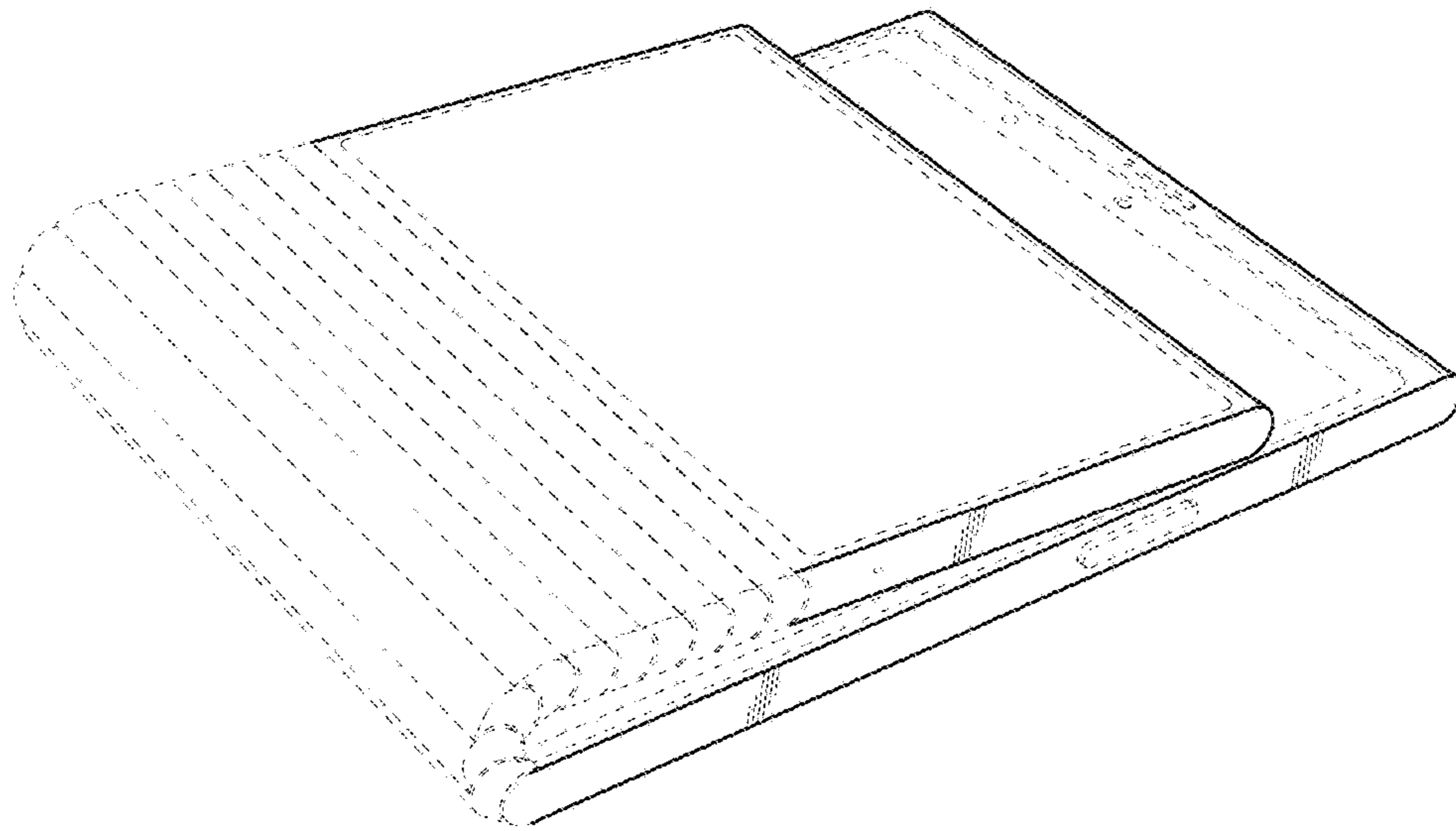


Fig. 10

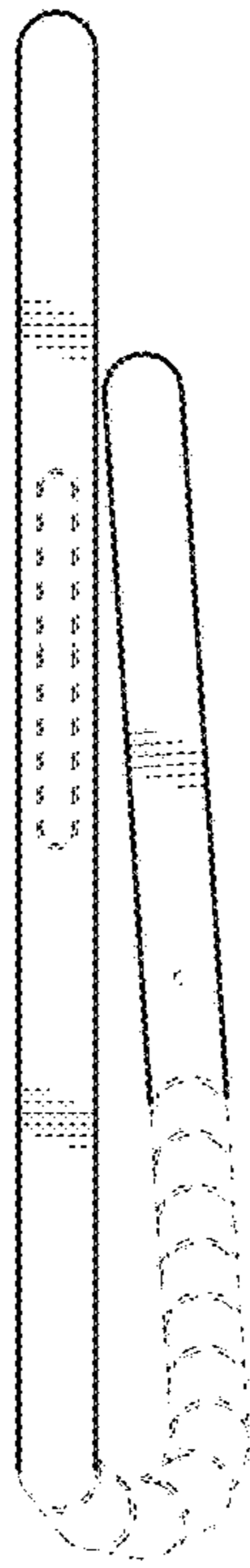


Fig. 11