



US00D859348S

(12) **United States Design Patent** (10) **Patent No.:** **US D859,348 S**
Hunt (45) **Date of Patent:** **** Sep. 10, 2019**

(54) **PHONE**
(71) Applicant: **CATERPILLAR INC.**, Deerfield, IL (US)
(72) Inventor: **Patrick Hunt**, London (GB)
(73) Assignee: **Caterpillar Inc.**, Deerfield, IL (US)
(**) Term: **15 Years**
(21) Appl. No.: **29/653,207**
(22) Filed: **Jun. 13, 2018**
(51) **LOC (12) Cl.** **14-03**
(52) **U.S. Cl.**
USPC **D14/138 G**
(58) **Field of Classification Search**
USPC D14/138 G, 248, 341, 371, 374, 138 R, D14/138 AA, 138 AB, 138 AC, 138 AD, D14/138 C, 247
CPC H04M 1/0202; H04M 1/0235; H04M 1/0237; H04M 1/0239; H04M 1/0266; H04M 1/0268; H04M 1/027; H04M 1/0295
See application file for complete search history.

D775,099 S * 12/2016 Higashide D14/138 G
D775,596 S * 1/2017 Guo D14/138 G
D779,453 S * 2/2017 Daniel D14/138 G
D785,612 S * 5/2017 Kim D14/248
D786,212 S 5/2017 Huang
D787,464 S * 5/2017 Kim D14/138 G
D788,058 S 5/2017 Astheimer
D789,315 S 6/2017 Astheimer
(Continued)

OTHER PUBLICATIONS

Cat B15, announced Released 2013, [online], [retrieved on Apr. 11, 2019]. Retrieved from Internet ,<URL: http://www.gsmarena.com>.*

(Continued)

Primary Examiner — Bridget L Eland
(74) *Attorney, Agent, or Firm* — Finnegan, Henderson, Farabow, Garrett & Dunner, LLP

(57) **CLAIM**

The ornamental design for a phone, as shown and described.

DESCRIPTION

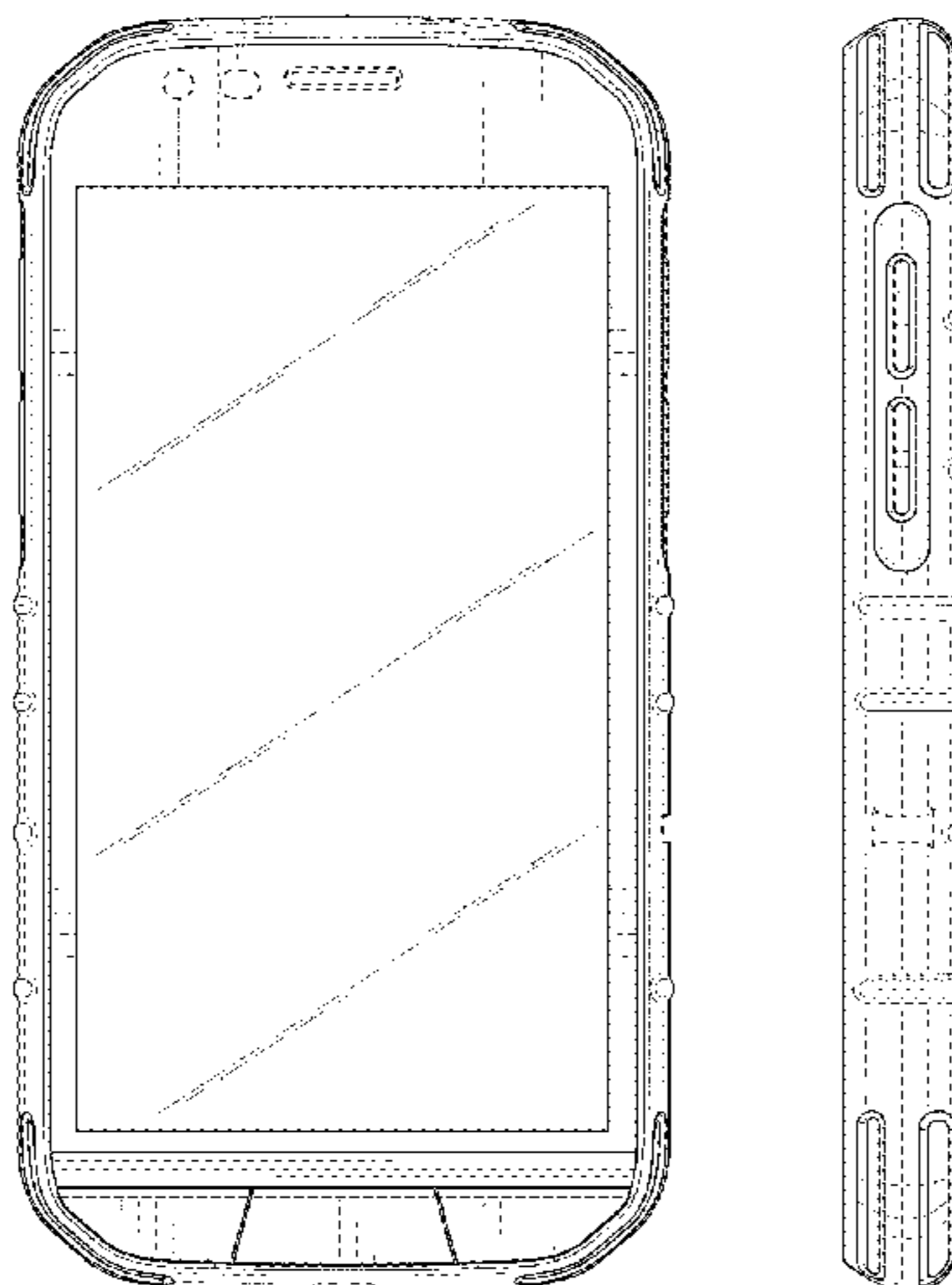
FIG. 1 is a front, right, top perspective view of a phone showing my new design;
FIG. 2 is a rear, left, bottom perspective view thereof;
FIG. 3 is a front elevation view thereof;
FIG. 4 is a rear elevation view thereof;
FIG. 5 is a left side elevation view thereof;
FIG. 6 is a right side elevation view thereof;
FIG. 7 is a top plan view thereof; and,
FIG. 8 is a bottom plan view thereof.
The even length broken lines immediately adjacent the shaded areas represent the bounds of the claimed design while all other broken lines are directed to environment and are for illustrative purposes only; the broken lines form no part of the claimed design.

1 Claim, 8 Drawing Sheets

(56) **References Cited**

U.S. PATENT DOCUMENTS

D657,336 S * 4/2012 Nilsen D14/138 G
D678,232 S * 3/2013 Harmon D14/138 G
D680,984 S * 4/2013 Harmon D14/138 G
D685,754 S * 7/2013 Palmer D14/138 G
D687,004 S * 7/2013 Behling D14/138 G
D688,219 S * 8/2013 Ikezu D14/138 G
D705,747 S * 5/2014 Boucquey D14/138 G
D712,864 S * 9/2014 Hirota D14/138 G
D715,245 S * 10/2014 Meneses D14/138 G
D716,249 S * 10/2014 Zhang D14/138 G
D723,499 S * 3/2015 Nishikawa D14/138 G
D729,188 S * 5/2015 Nilsen D14/138 G
D775,098 S * 12/2016 Nishikawa D14/138 G



(56)

References Cited

U.S. PATENT DOCUMENTS

D793,389 S * 8/2017 Kim D14/341
D797,695 S * 9/2017 Yoshihara D14/138 G
D802,551 S 11/2017 Hunt
D808,918 S * 1/2018 Wei D14/138 G
D818,984 S * 5/2018 Hunt D14/138 G
2013/0271922 A1* 10/2013 Wilson H04M 1/185
361/724
2013/0273944 A1* 10/2013 Wilson H04W 4/90
455/457

OTHER PUBLICATIONS

BLU Tank Xtreme Pro, announced Jul. 2017, [online], [retrieved on Apr. 11, 2019]. Retrieved from Internet ,<URL: <http://www.gsmarena.com>>.*

* cited by examiner

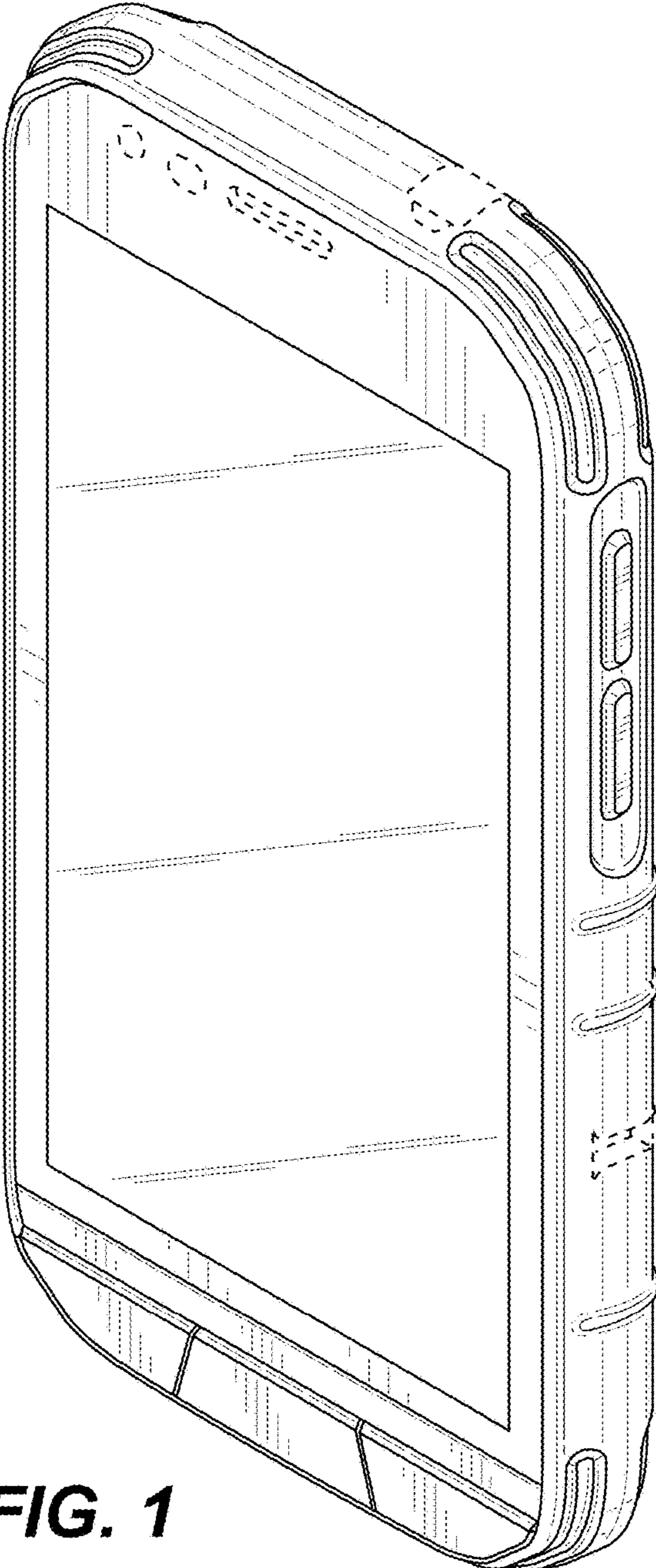


FIG. 1

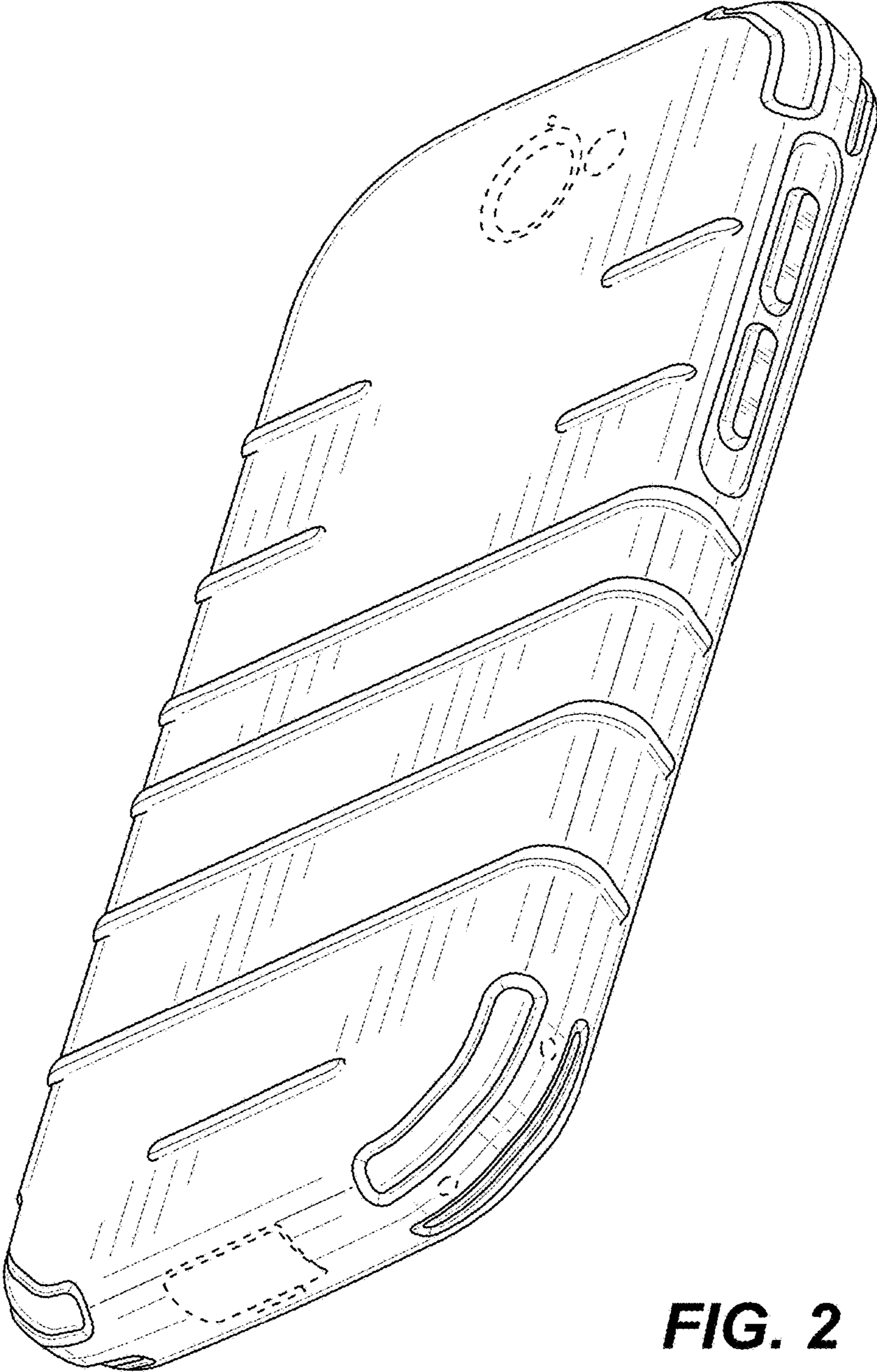


FIG. 2

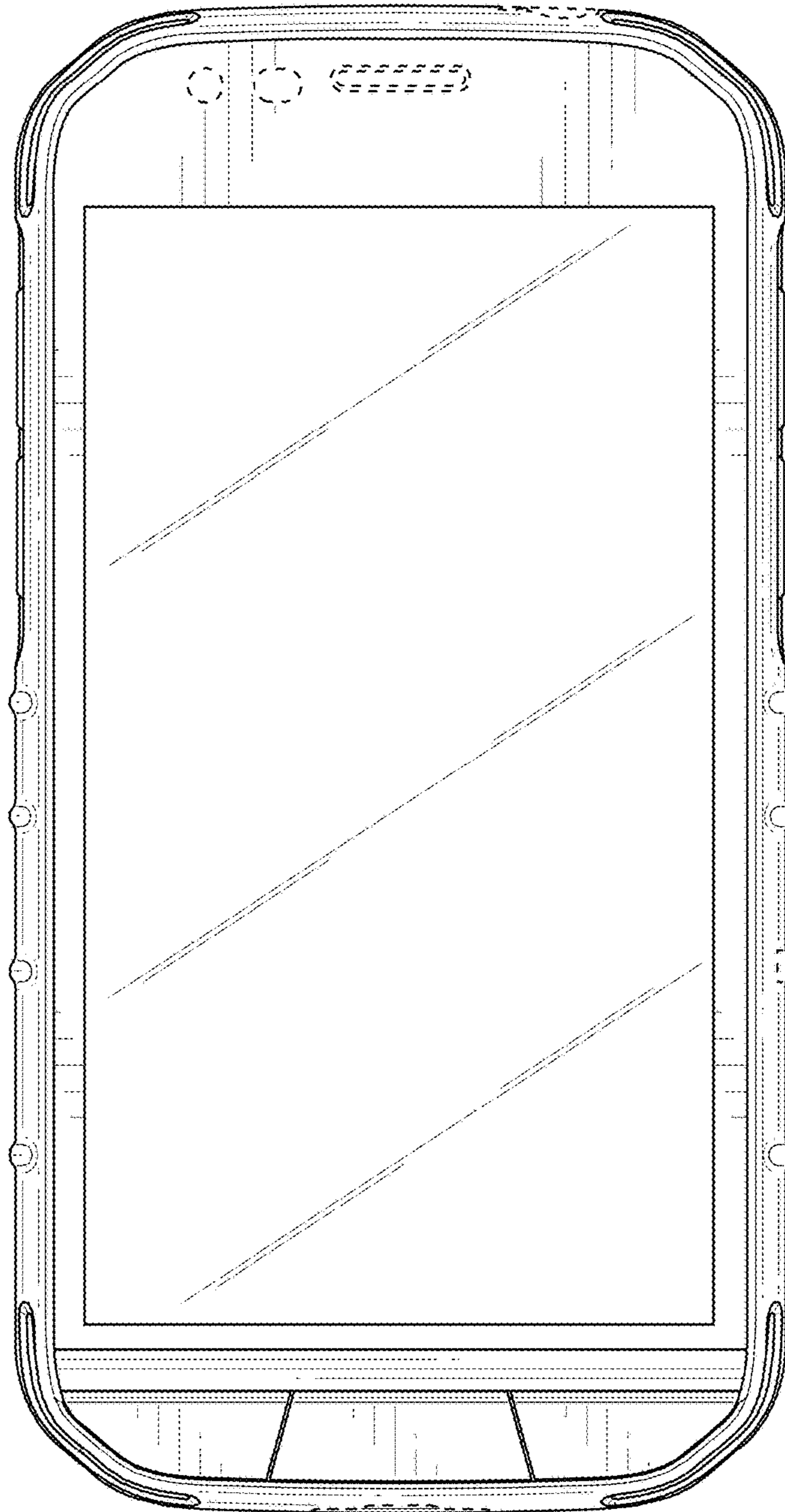


FIG. 3

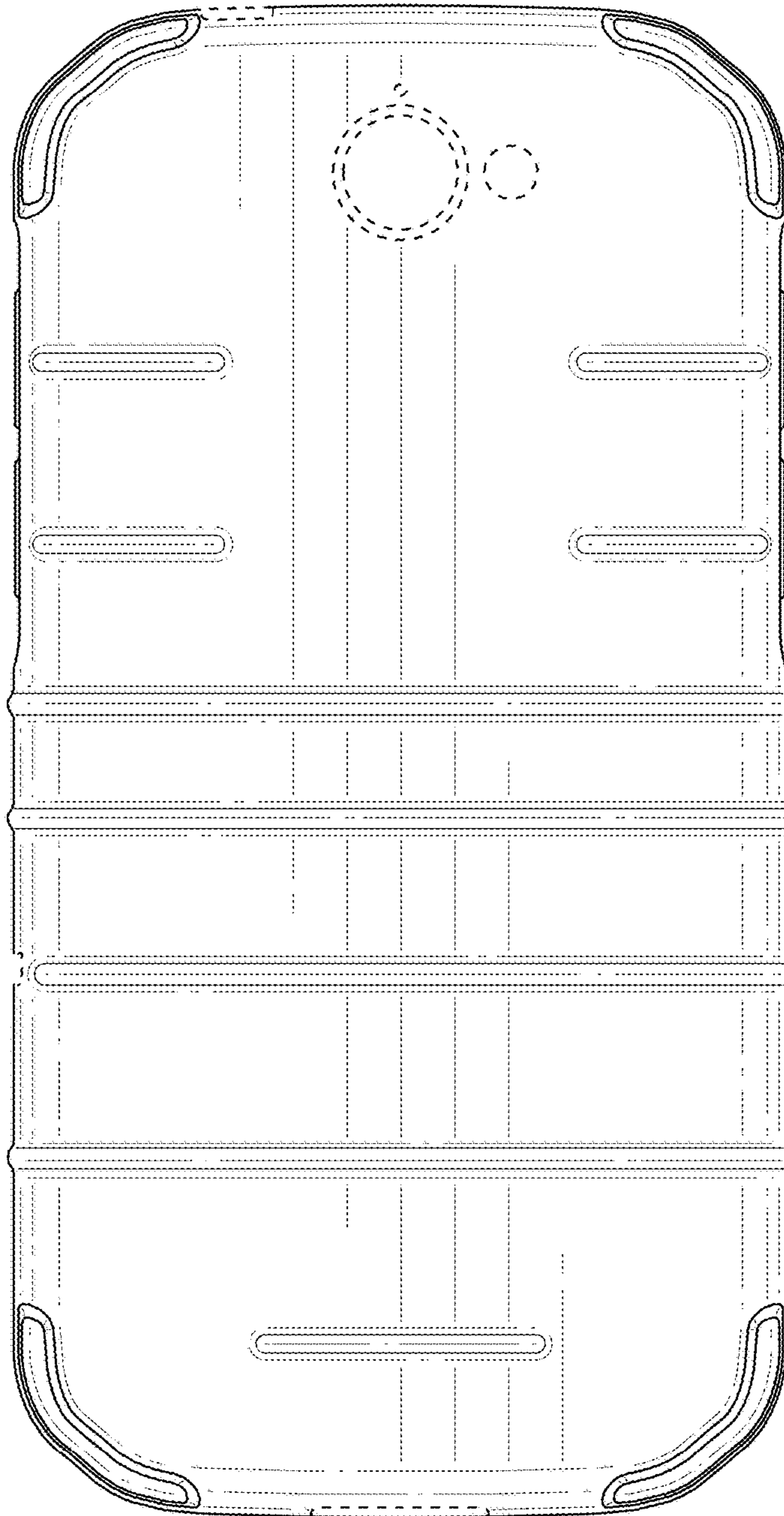


FIG. 4

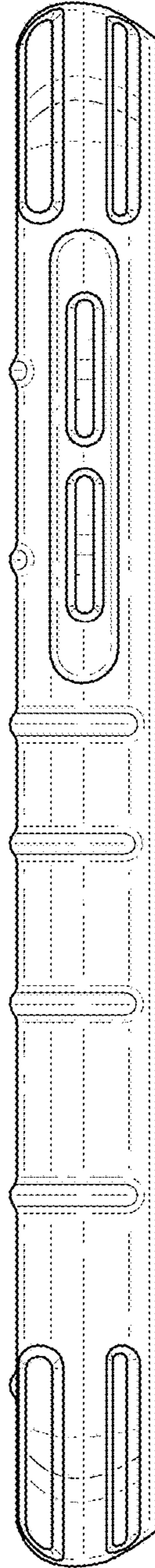


FIG. 5

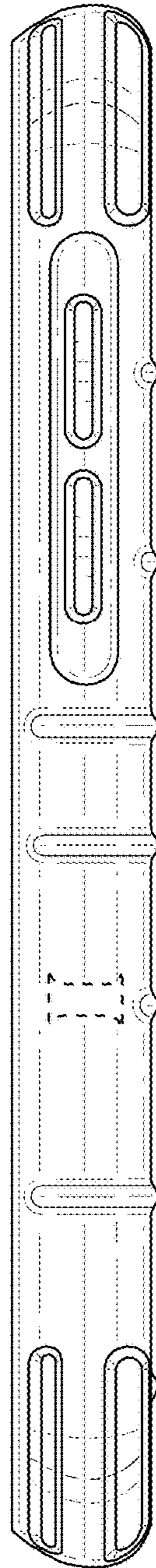


FIG. 6

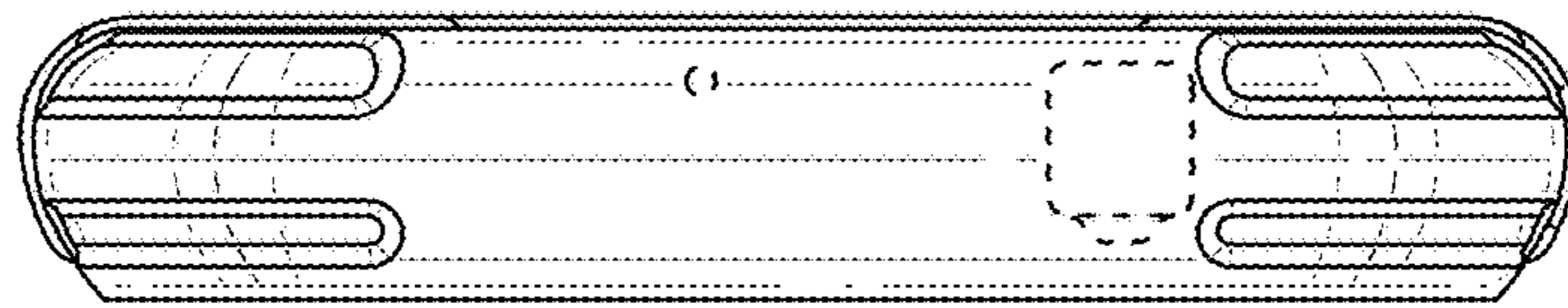


FIG. 7



FIG. 8