



US00D859340S

(12) **United States Design Patent**
Siponen

(10) **Patent No.:** **US D859,340 S**

(45) **Date of Patent:** **** Sep. 10, 2019**

(54) **TELECOMMUNICATIONS APPARATUS**

(71) Applicant: **SAVOX COMMUNICATIONS OY AB (LTD)**, Espoo (FI)

(72) Inventor: **Mikko Siponen**, Espoo (FI)

(73) Assignee: **SAVOX COMMUNICATIONS OY AB (LTD)**, Espoo (FI)

(**) Term: **15 Years**

(21) Appl. No.: **29/624,857**

(22) Filed: **Nov. 3, 2017**

(30) **Foreign Application Priority Data**

Jun. 26, 2017 (EM) 004067353-0001

(51) **LOC (12) Cl.** **14-03**

(52) **U.S. Cl.**
USPC **D14/137; D14/226**

(58) **Field of Classification Search**
USPC D14/137, 138 R, 138 AA, 147, 148, 218,
D14/155, 159, 142, 225, 226, 191, 172,
D14/243, 204, 217, 188, 192, 194, 197,
D14/198; D21/517; D10/104.1, 104.2,
D10/106.1, 65, 70; D13/168

CPC H04B 1/3833; H04B 1/3827; H04B
2001/3861; H04M 1/0202; H04M 1/03;
H04M 1/035; G08B 21/0202

See application file for complete search history.

(56) **References Cited**

U.S. PATENT DOCUMENTS

D158,220 S * 4/1950 Sandler D14/172
D256,361 S * 8/1980 Mishiro D14/194
D352,706 S * 11/1994 Hong D14/137
D367,017 S * 2/1996 Dempsey D10/104.1
D385,209 S * 10/1997 Mercer D10/106.1
D412,705 S * 8/1999 Laiacona D14/172
D416,912 S * 11/1999 Hsieh D14/225

D459,718 S * 7/2002 Ma D14/225
D477,287 S * 7/2003 Roman D13/162
D486,813 S * 2/2004 Chun D14/203.3
D491,157 S * 6/2004 Terashima D14/138 AB
D498,226 S * 11/2004 Tien D14/188

(Continued)

FOREIGN PATENT DOCUMENTS

CN 304261779 * 8/2017
CN 304292628 * 9/2017
JP D1604876 * 4/2018

OTHER PUBLICATIONS

TRICS® Tactical Radio and Intercom Controller, no publishing date, (c) 2019 Savox Product Pages, [online], [site visited Mar. 24, 2019]. Available from Internet, <<https://products.savox.com/products/trics%C2%AE-tactical-radio-and-intercom-controller>>.*

Primary Examiner — Jeffrey D Asch

(74) *Attorney, Agent, or Firm* — Young & Thompson

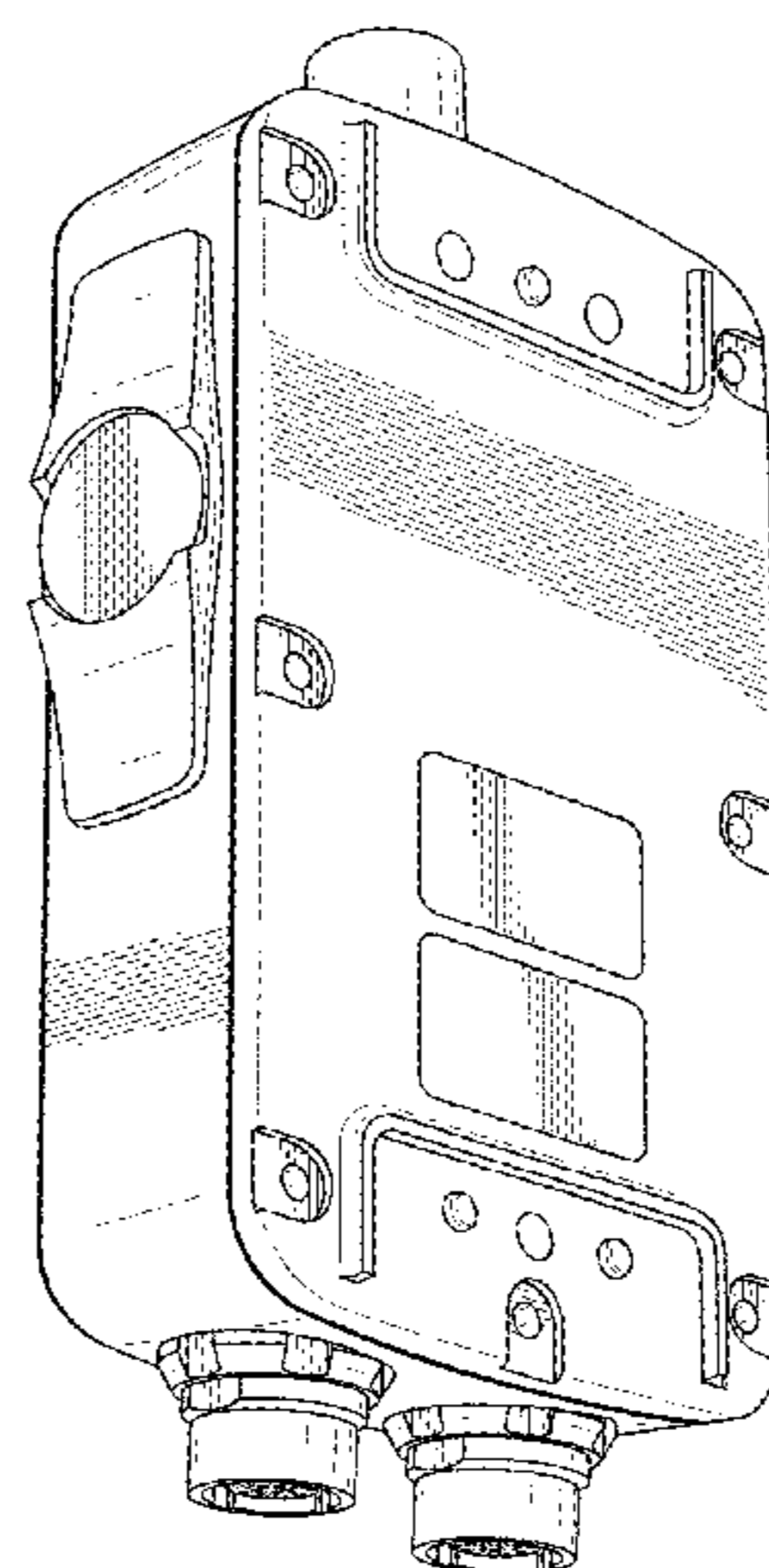
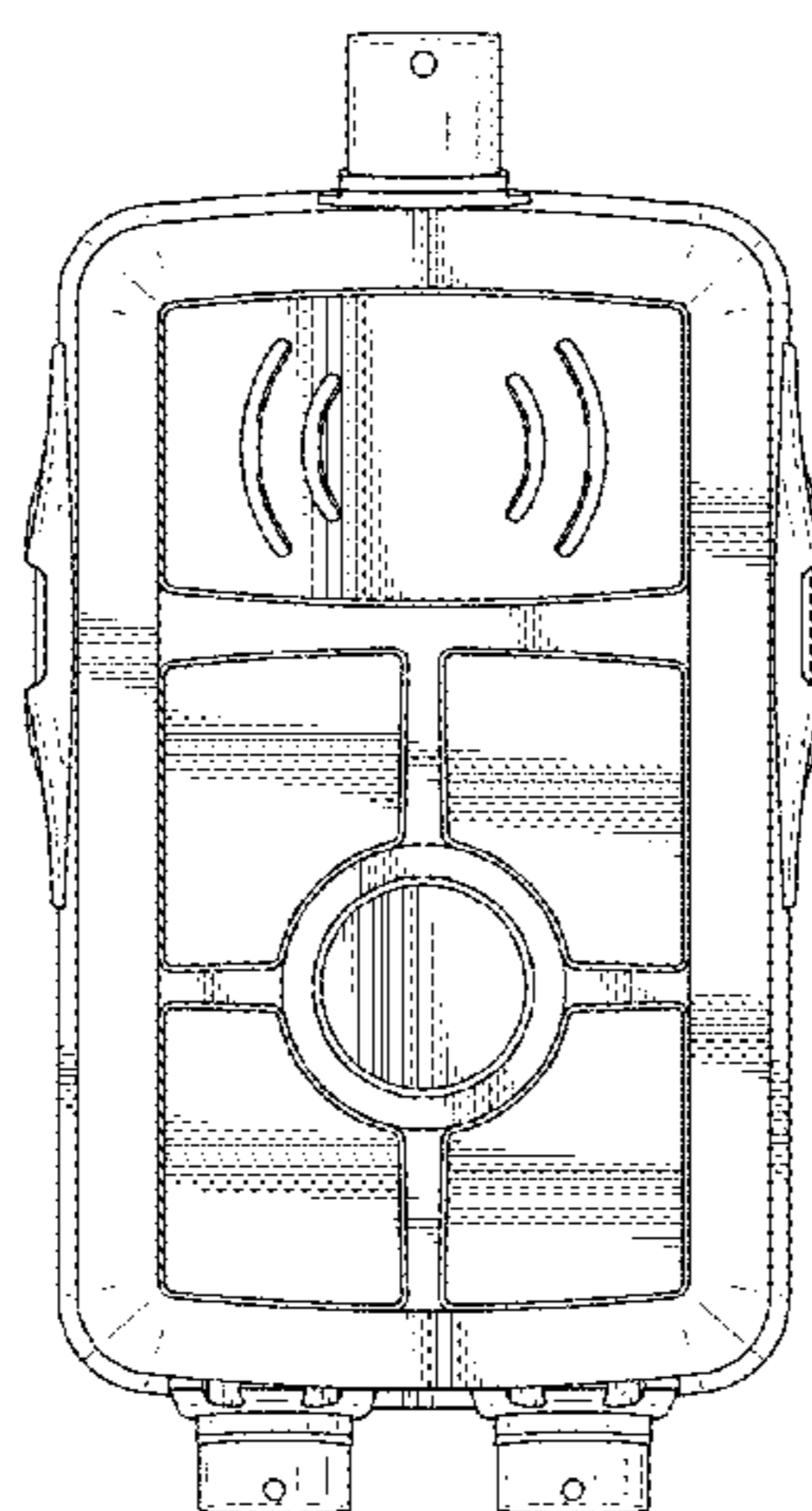
(57) **CLAIM**

The ornamental design for a telecommunications apparatus, as shown and described.

DESCRIPTION

FIG. 1 is a front, right side, and top perspective view of a telecommunications apparatus showing the new design; FIG. 2 is a rear, right side, and top perspective view thereof; FIG. 3 is a front elevation view thereof; FIG. 4 is a rear elevation view thereof; FIG. 5 is a right side elevation view thereof; FIG. 6 is a left side elevation view thereof; FIG. 7 is a top plan view thereof; FIG. 8 bottom plan view thereof; FIG. 9 is a front, left side, and bottom perspective view thereof; and, FIG. 10 rear, left side, and bottom perspective view thereof.

1 Claim, 10 Drawing Sheets



(56)

References Cited

U.S. PATENT DOCUMENTS

D519,045 S * 4/2006 Wu D10/70
D527,296 S * 8/2006 Concari D10/106.1
D539,530 S * 4/2007 Sanderson D3/218
D546,345 S * 7/2007 Kim D14/496
D562,284 S * 2/2008 Kwon D14/138 AA
D571,332 S * 6/2008 Lee D14/138 AA
D636,371 S * 4/2011 Spielvogel D14/142
D637,174 S * 5/2011 Elkerbout D14/159
D659,036 S * 5/2012 Madsen D10/65
D700,148 S * 2/2014 Paul D13/168
D711,346 S * 8/2014 Ismail D14/137
D712,381 S * 9/2014 Hwang D14/218
D721,660 S * 1/2015 Wang D13/168
D723,007 S * 2/2015 Oh D14/218
D733,673 S * 7/2015 Zhu D14/137
D749,665 S * 2/2016 Jannard D16/237
D764,957 S * 8/2016 Bhattacharya D10/104.1
D766,864 S * 9/2016 Tani D14/159
D778,877 S * 2/2017 Lin D14/218
D789,438 S * 6/2017 Kim D16/237
D794,609 S * 8/2017 Meyer D14/218
D799,353 S * 10/2017 Qu D10/104.2
D800,085 S * 10/2017 Shepher D14/138 R
D801,940 S * 11/2017 Aketa D13/168
D842,139 S * 3/2019 Fischer D10/65
D842,263 S * 3/2019 Takahata D14/159
2008/0012760 A1 * 1/2008 Derrick G08B 21/0211
342/357.74

* cited by examiner

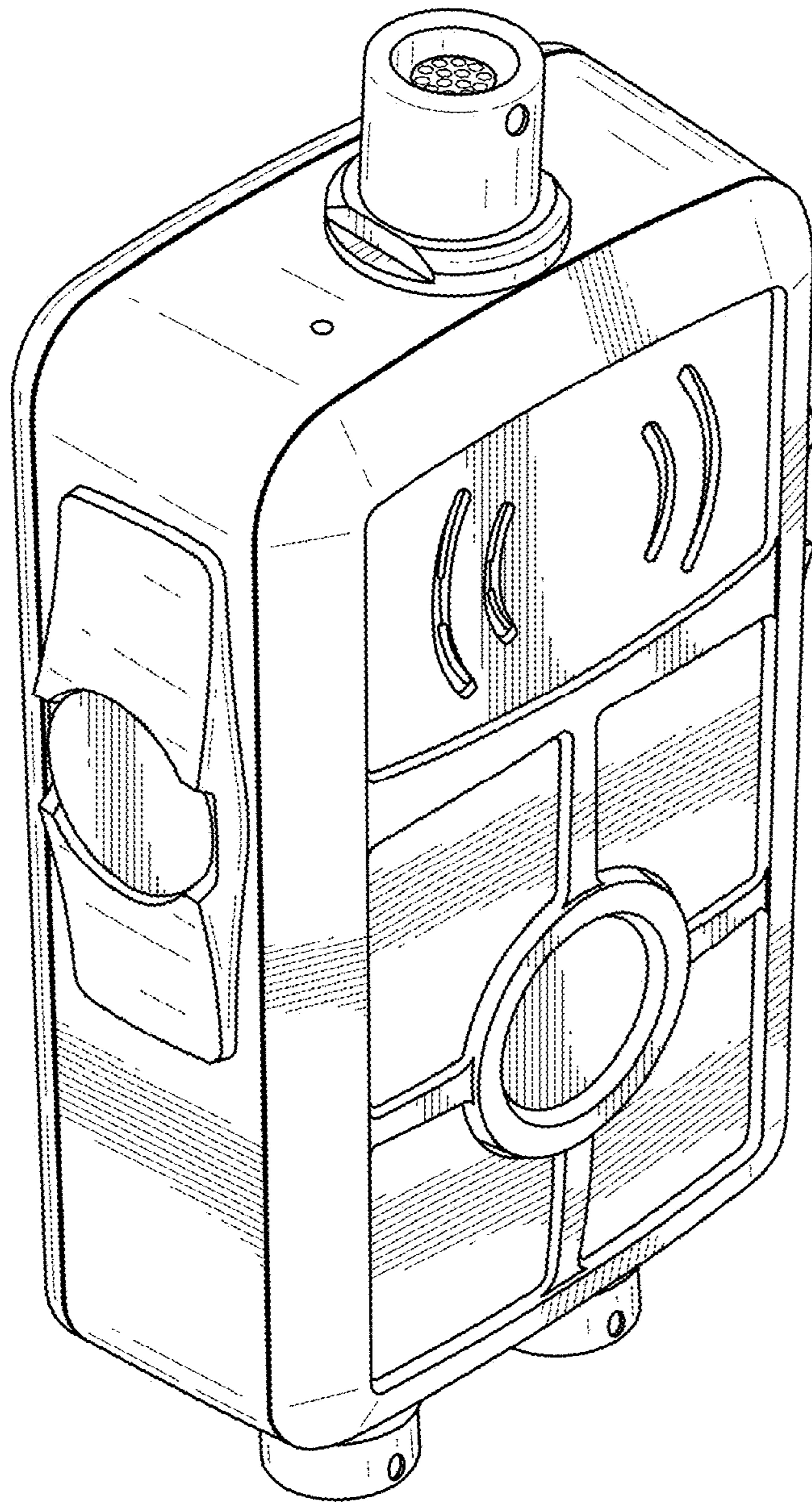


FIG.1

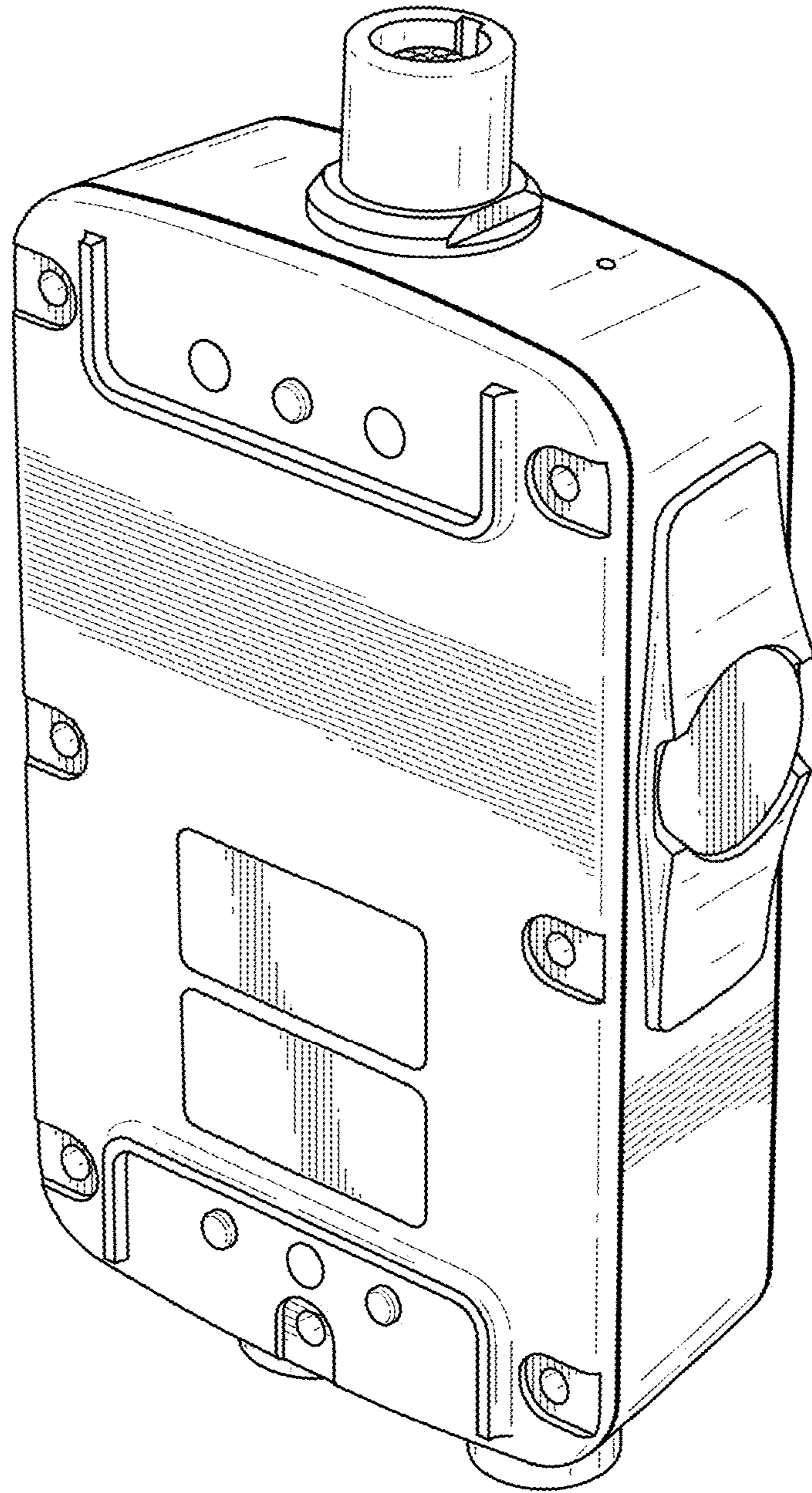


FIG.2

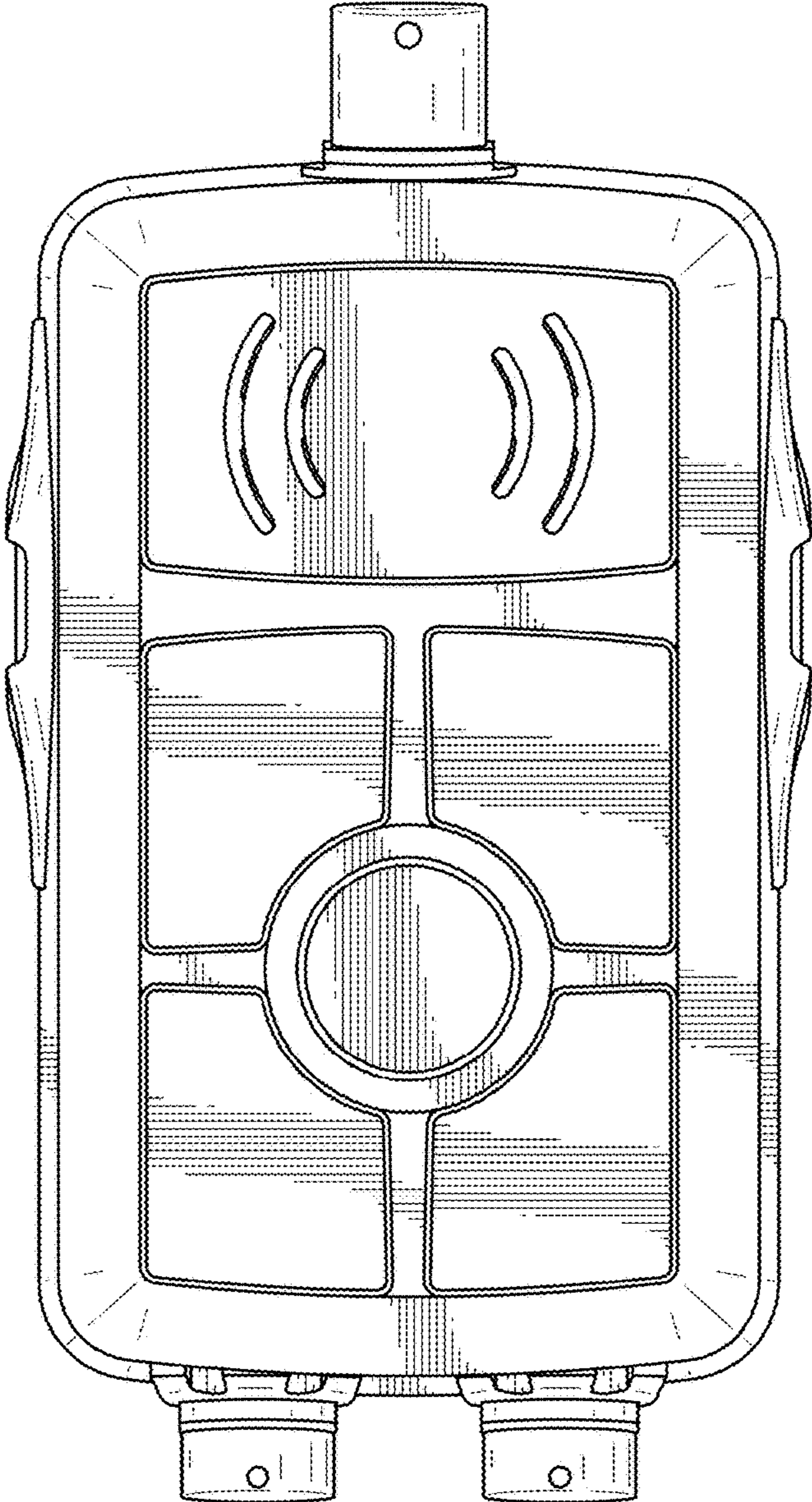


FIG.3

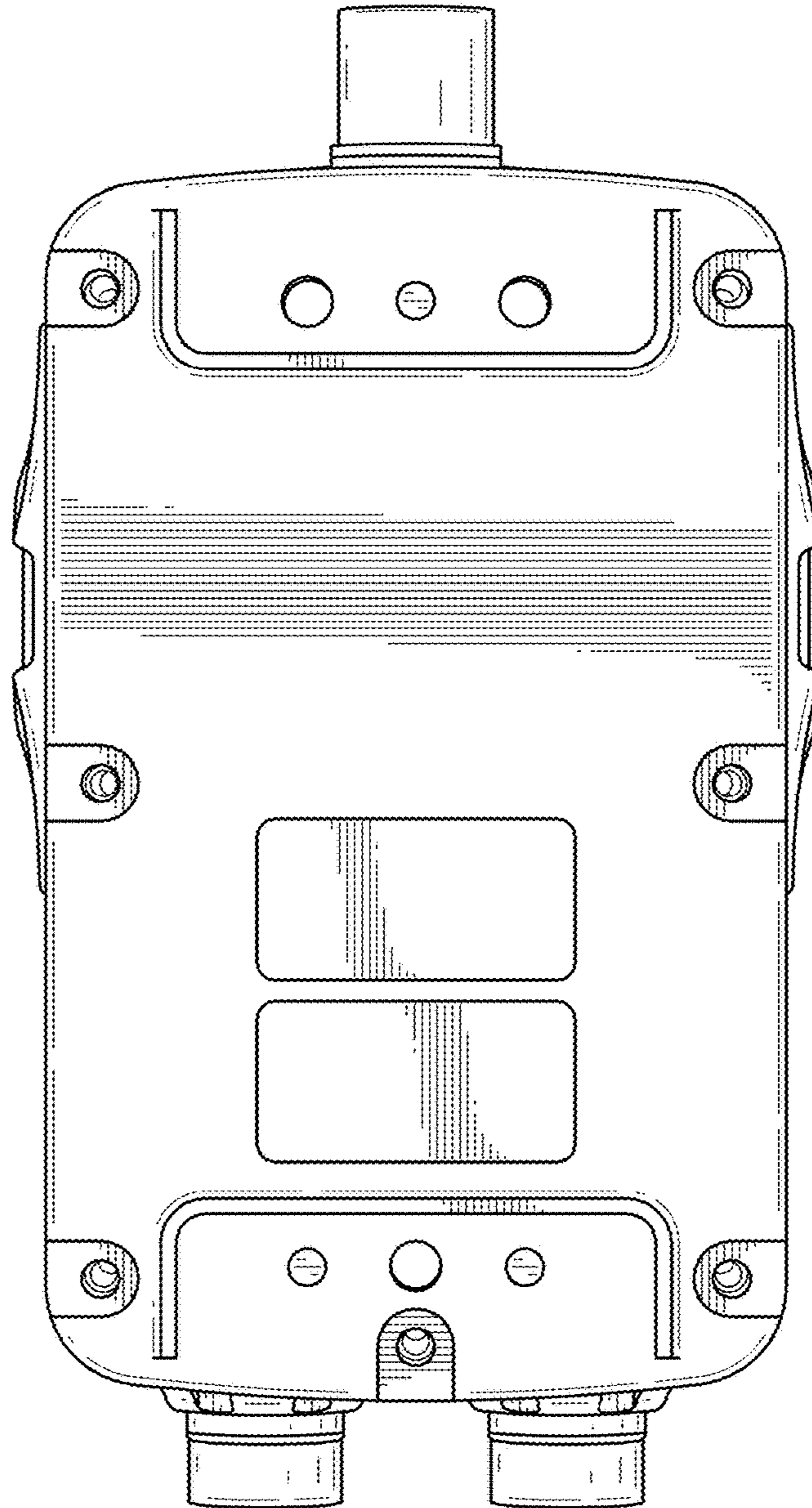


FIG.4

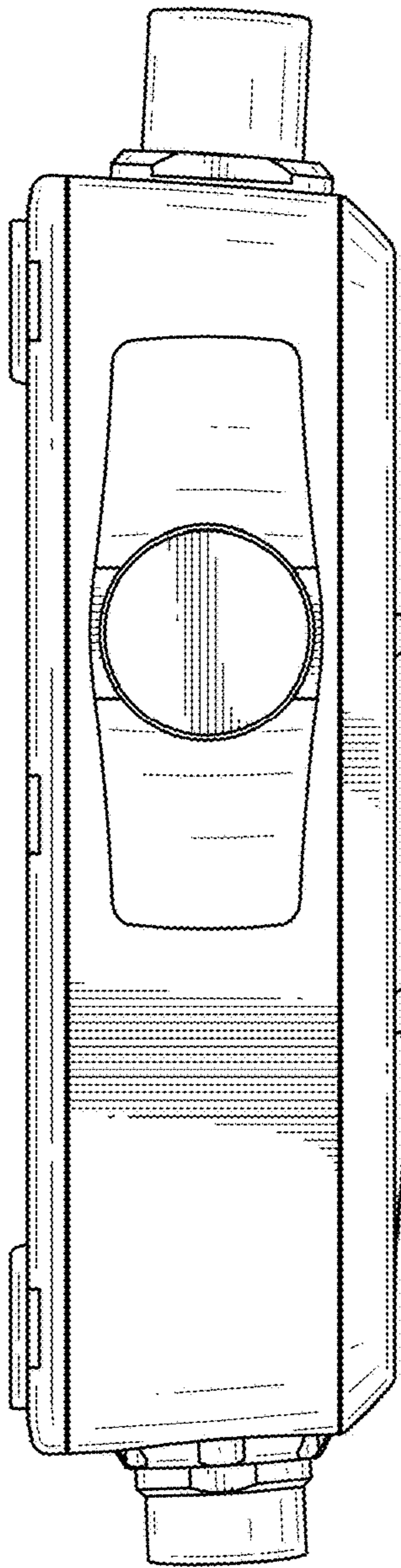


FIG.5

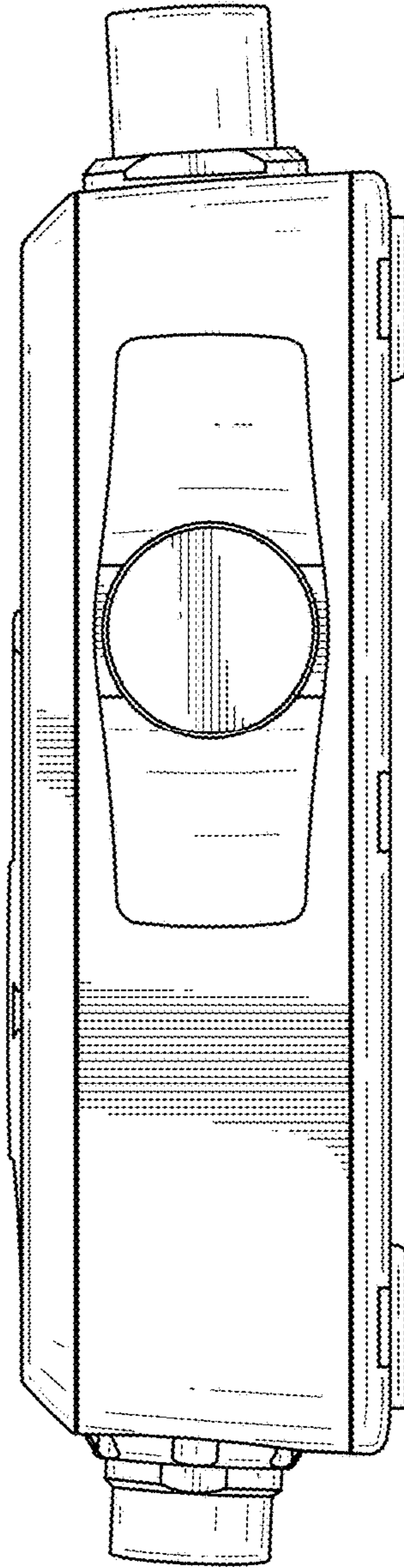


FIG.6

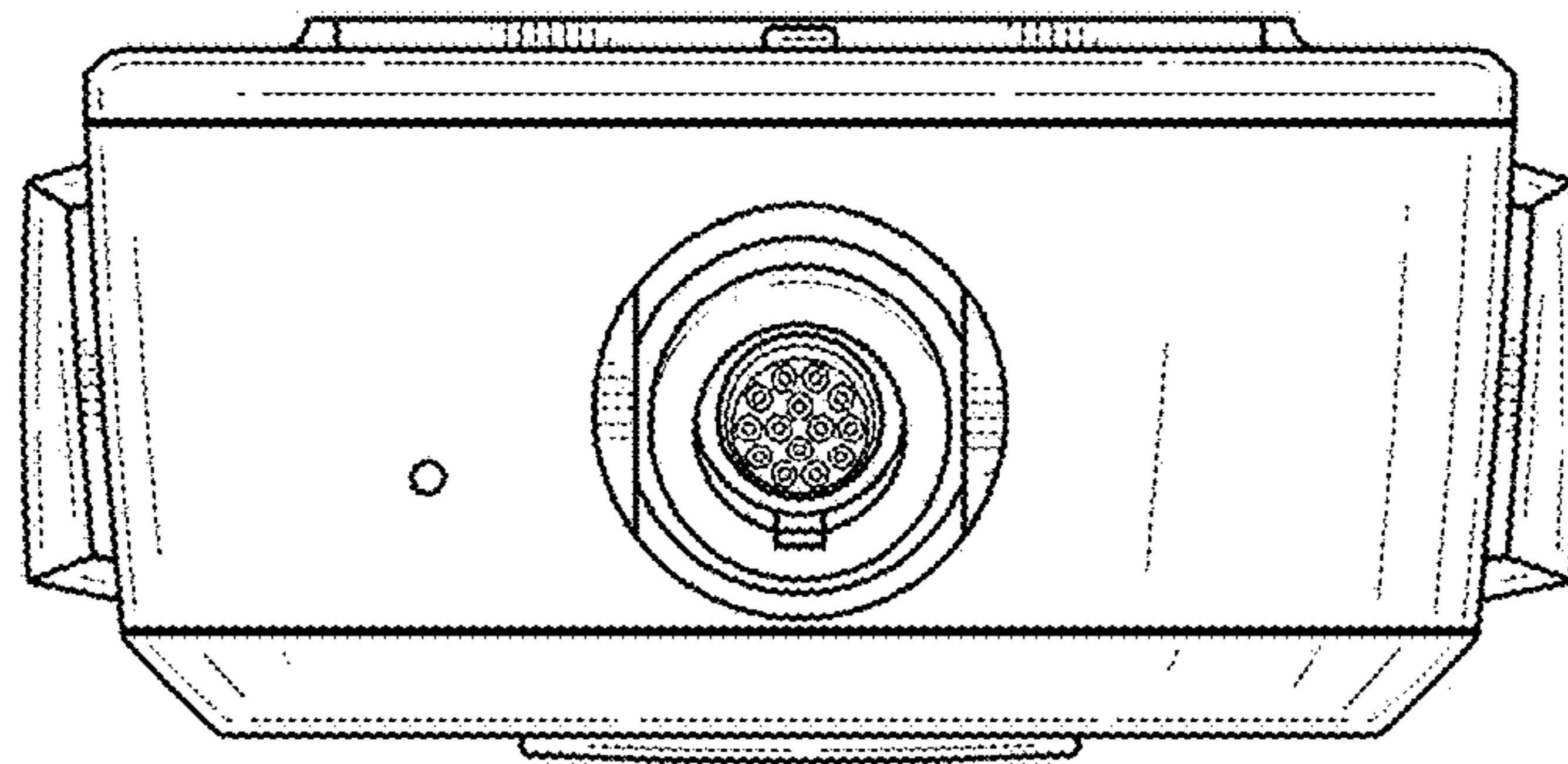


FIG.7

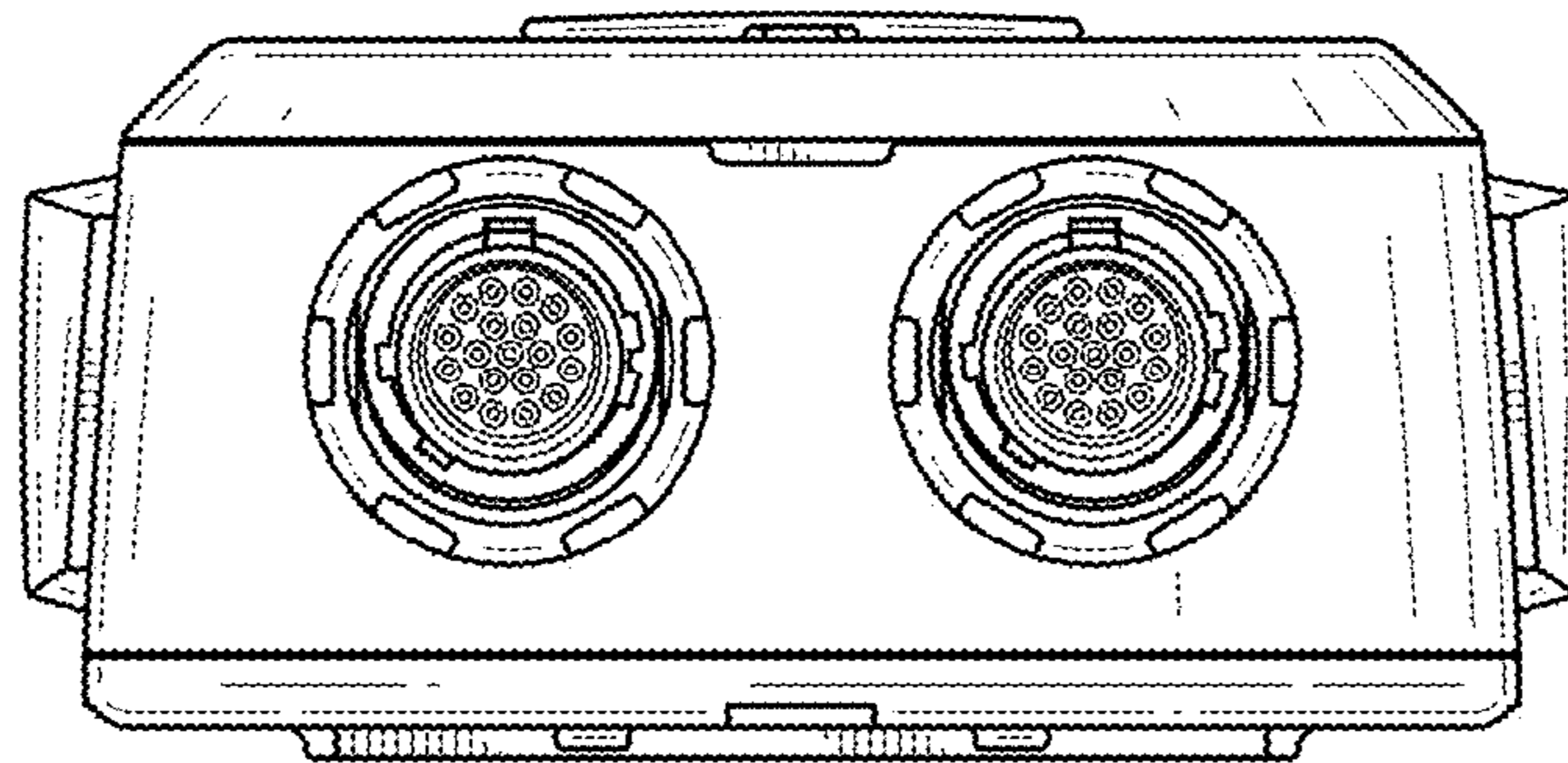


FIG.8

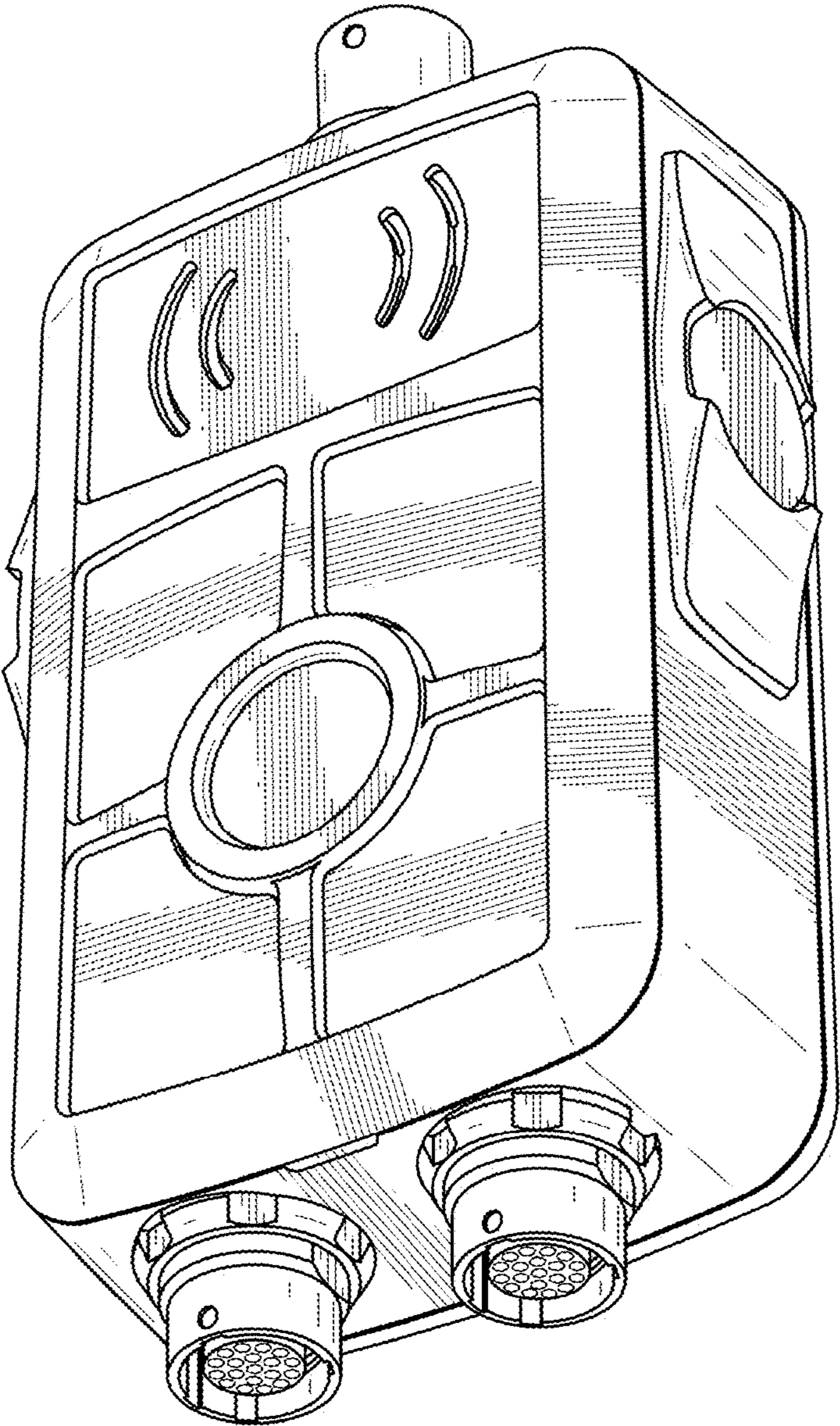


FIG.9

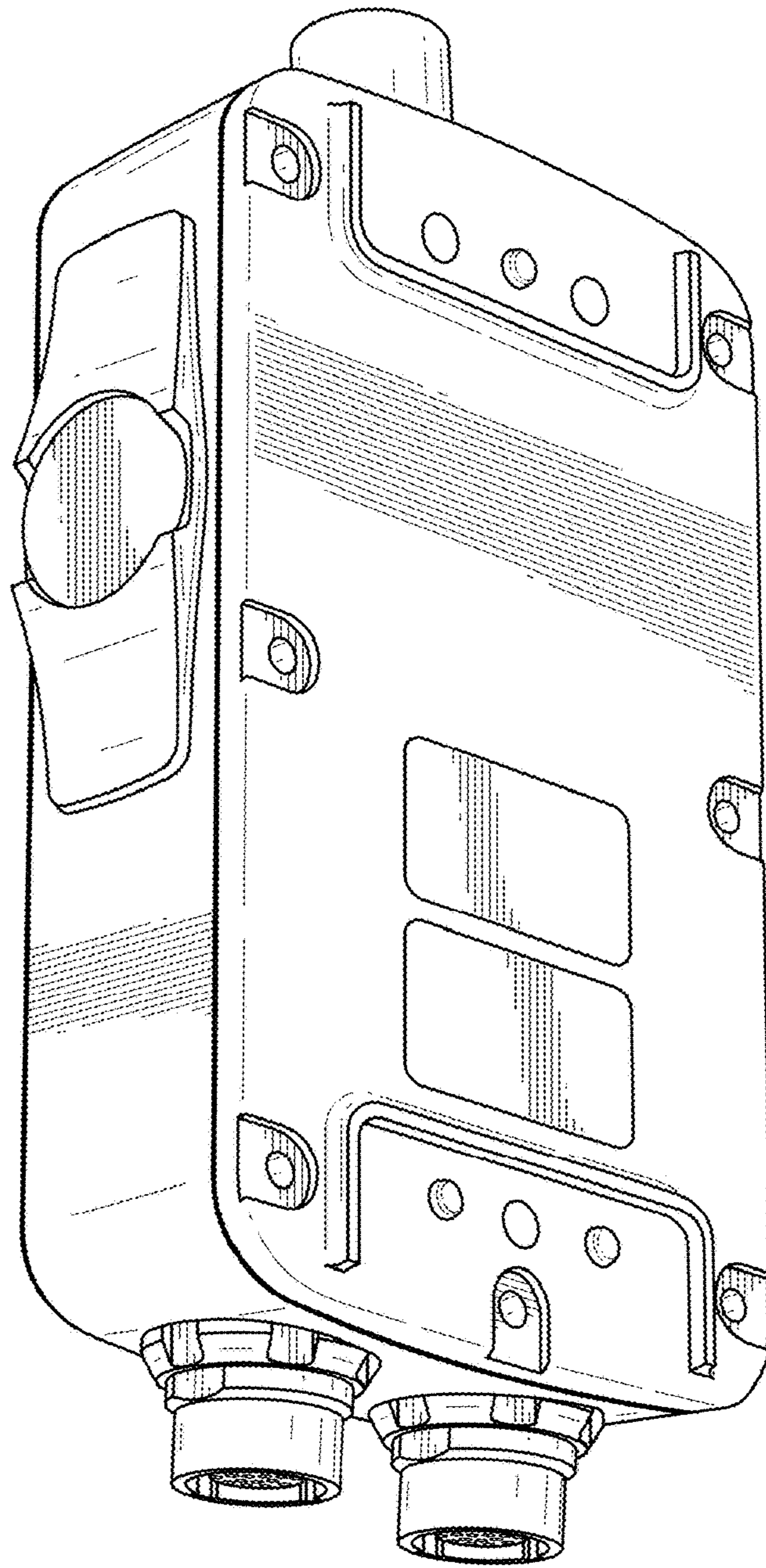


FIG.10