



US00D859339S

(12) **United States Design Patent**
Yu

(10) **Patent No.:** **US D859,339 S**

(45) **Date of Patent:** **** Sep. 10, 2019**

(54) **PORTABLE DVD PLAYER**

(71) Applicant: **Qing Qing Yu**, Shenzhen (CN)

(72) Inventor: **Qing Qing Yu**, Shenzhen (CN)

(**) Term: **15 Years**

(21) Appl. No.: **29/654,396**

(22) Filed: **Jun. 22, 2018**

(51) **LOC (12) Cl.** **14-03**

(52) **U.S. Cl.**
USPC **D14/129; D14/501**

(58) **Field of Classification Search**
USPC D14/125, 129, 498-511
CPC B60K 35/00; B60K 37/00; B60K 37/02;
B60K 37/06; B60R 11/02; H04B 1/06;
H04B 1/08; H04B 1/082
See application file for complete search history.

(56) **References Cited**

U.S. PATENT DOCUMENTS

- D501,656 S * 2/2005 Peng D14/129
- D503,165 S * 3/2005 Tsuge D14/501
- D519,476 S * 4/2006 Peng D14/129

- D540,276 S * 4/2007 Naruo D14/126
- D548,207 S * 8/2007 Hsiung D14/126
- D839,309 S * 1/2019 Gan D14/501

* cited by examiner

Primary Examiner — Randall H Gholson

(74) *Attorney, Agent, or Firm* — Tony Hom

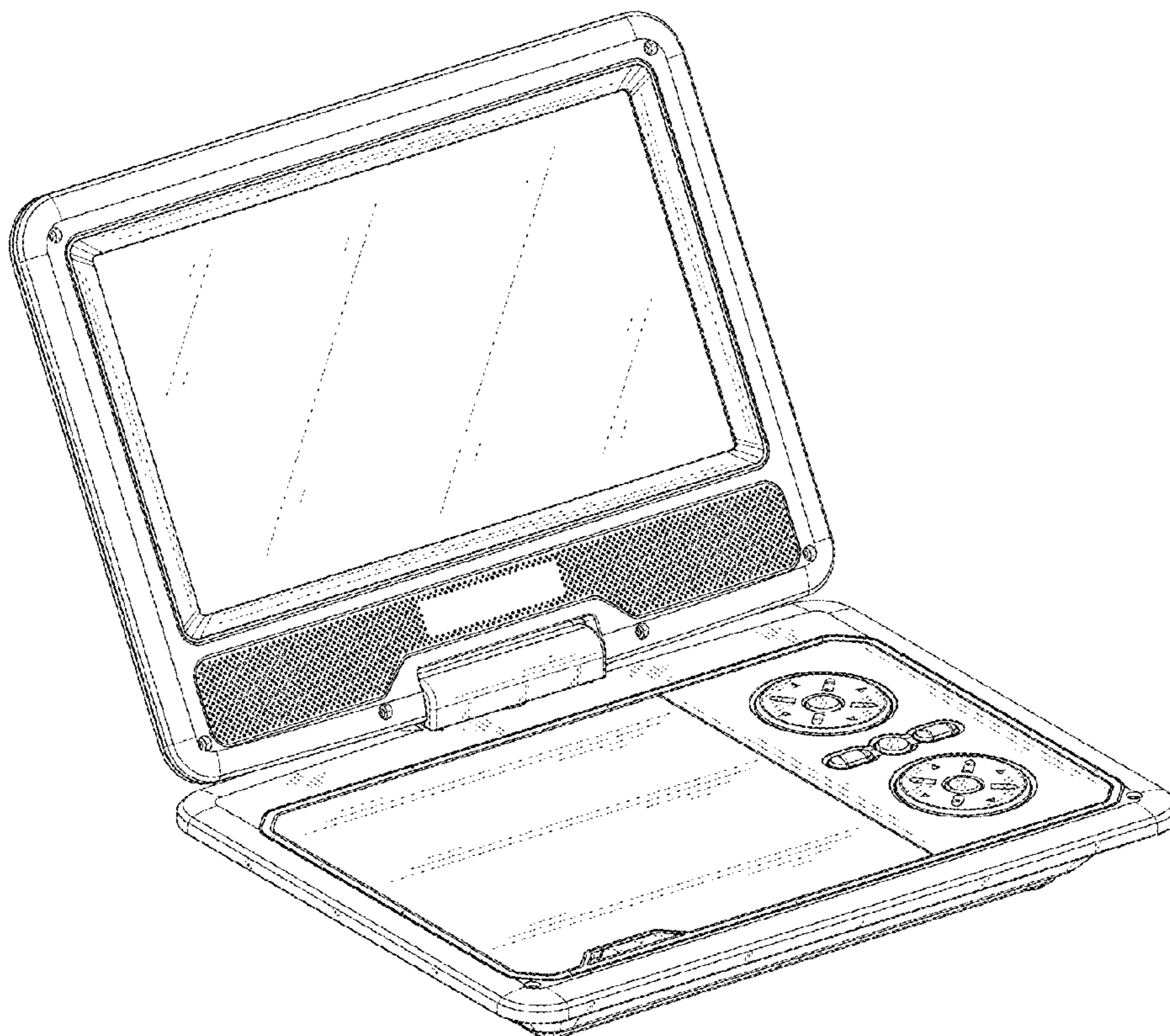
(57) **CLAIM**

A new, original, ornamental design for a portable DVD player, as shown and described.

DESCRIPTION

FIG. 1 is a top perspective view of a portable DVD player showing my new design;
 FIG. 2 is a bottom perspective view thereof;
 FIG. 3 is a front view thereof;
 FIG. 4 is a back view thereof;
 FIG. 5 is a left view thereof;
 FIG. 6 is a right view thereof;
 FIG. 7 is a top view thereof; and,
 FIG. 8 is a bottom view thereof.
 The broken lines in the drawing depict environmental subject matter only and form no part of the claimed design.

1 Claim, 8 Drawing Sheets



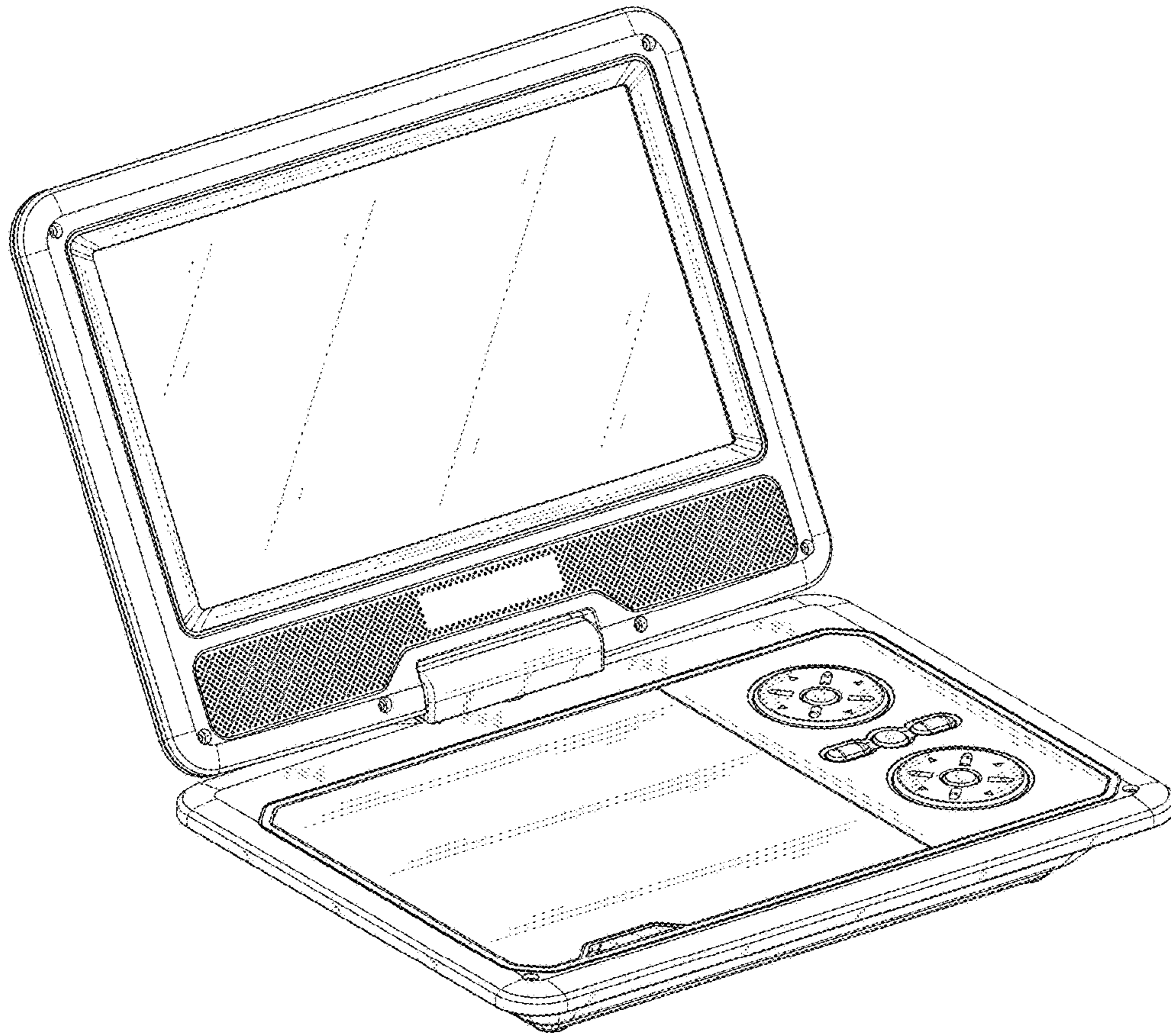


FIG. 1

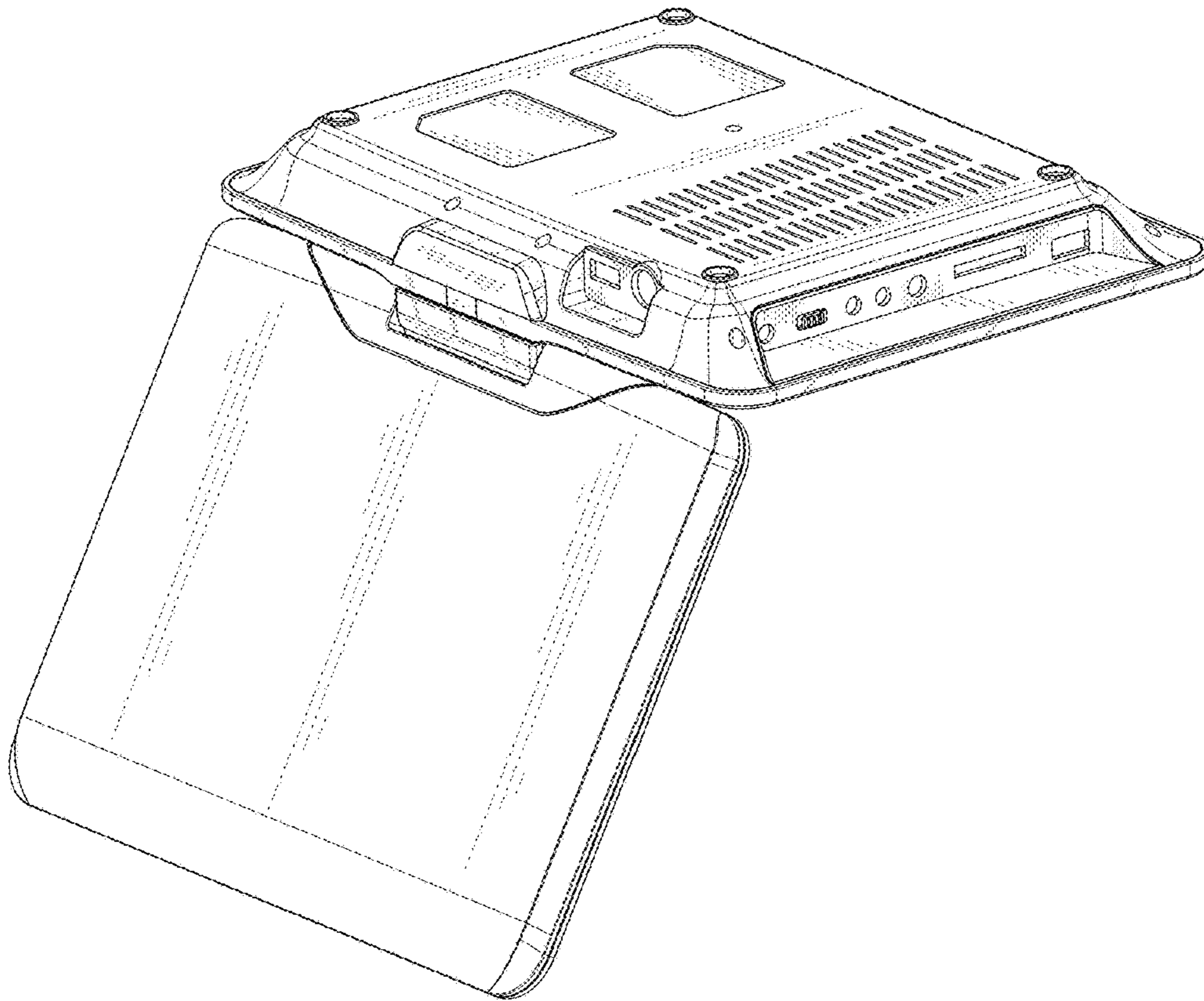


FIG. 2

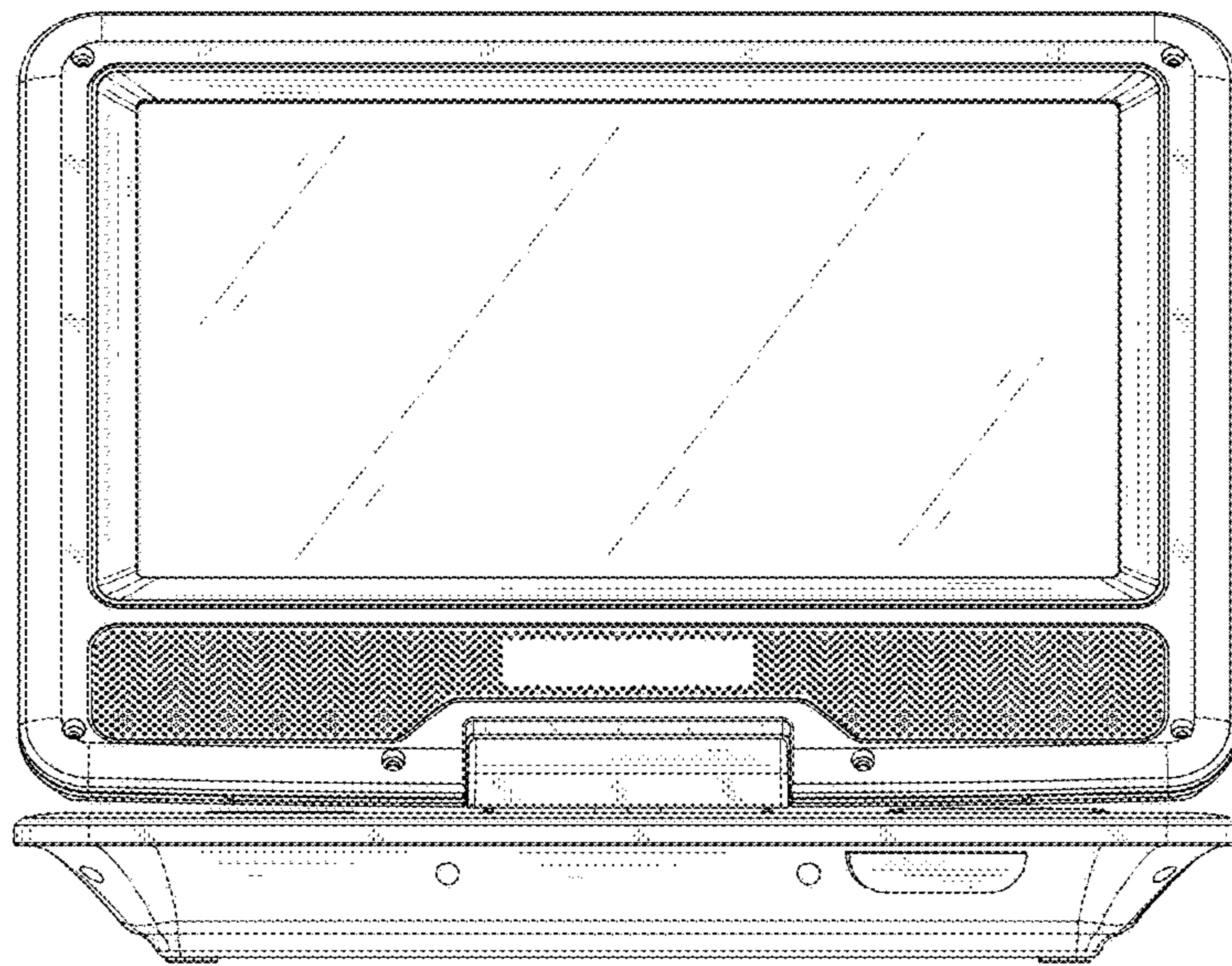


FIG. 3

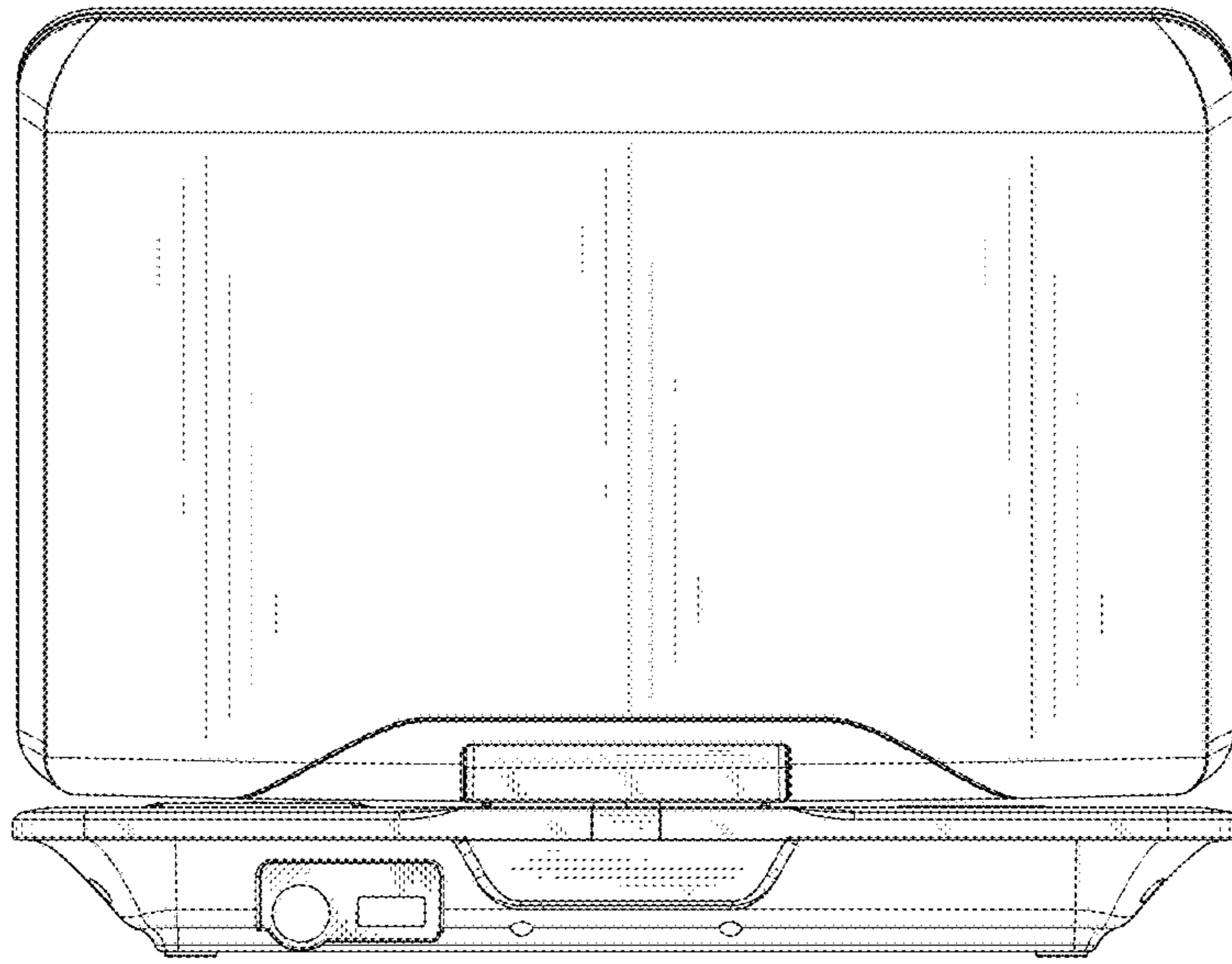


FIG. 4

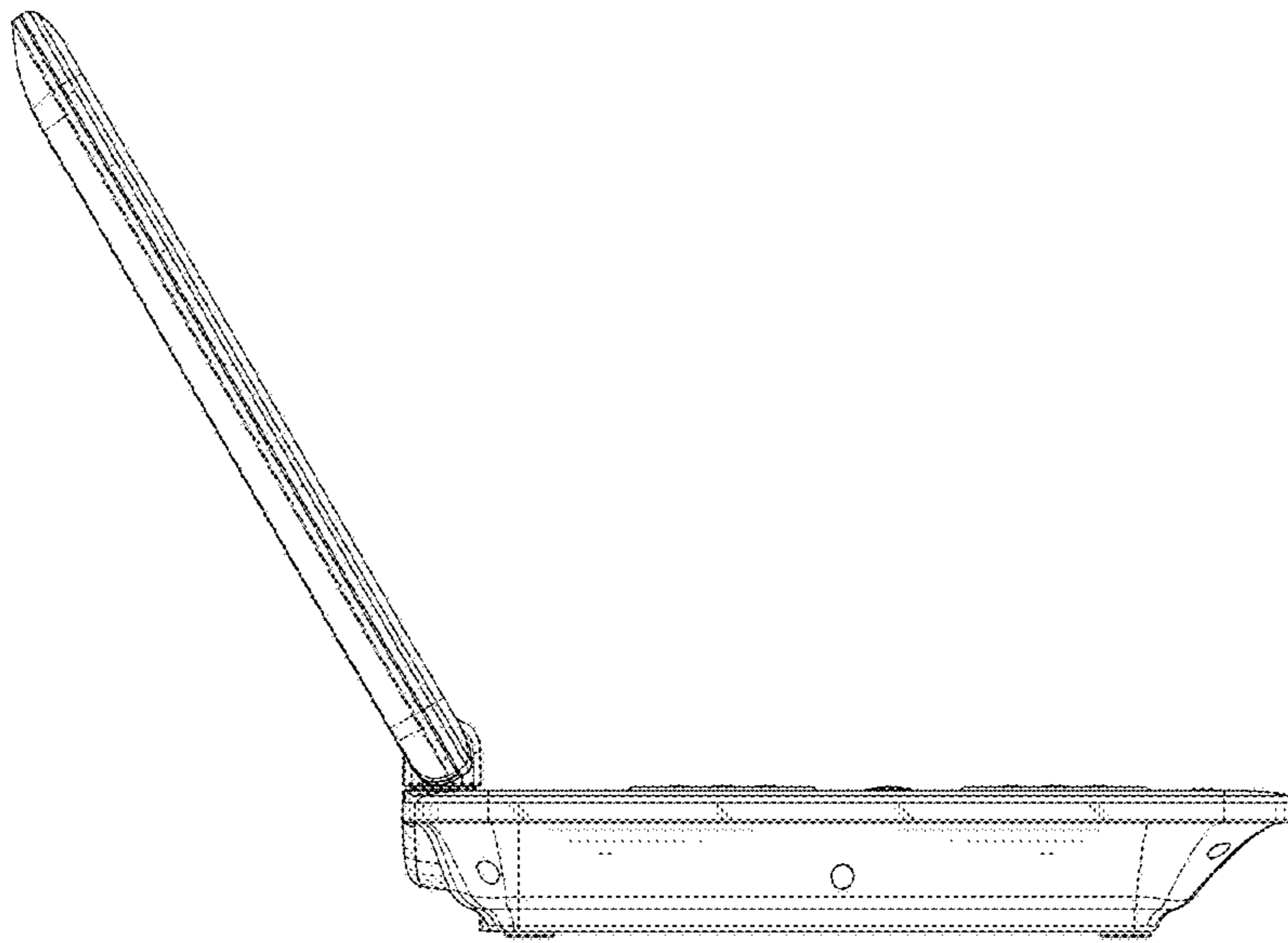


FIG. 5

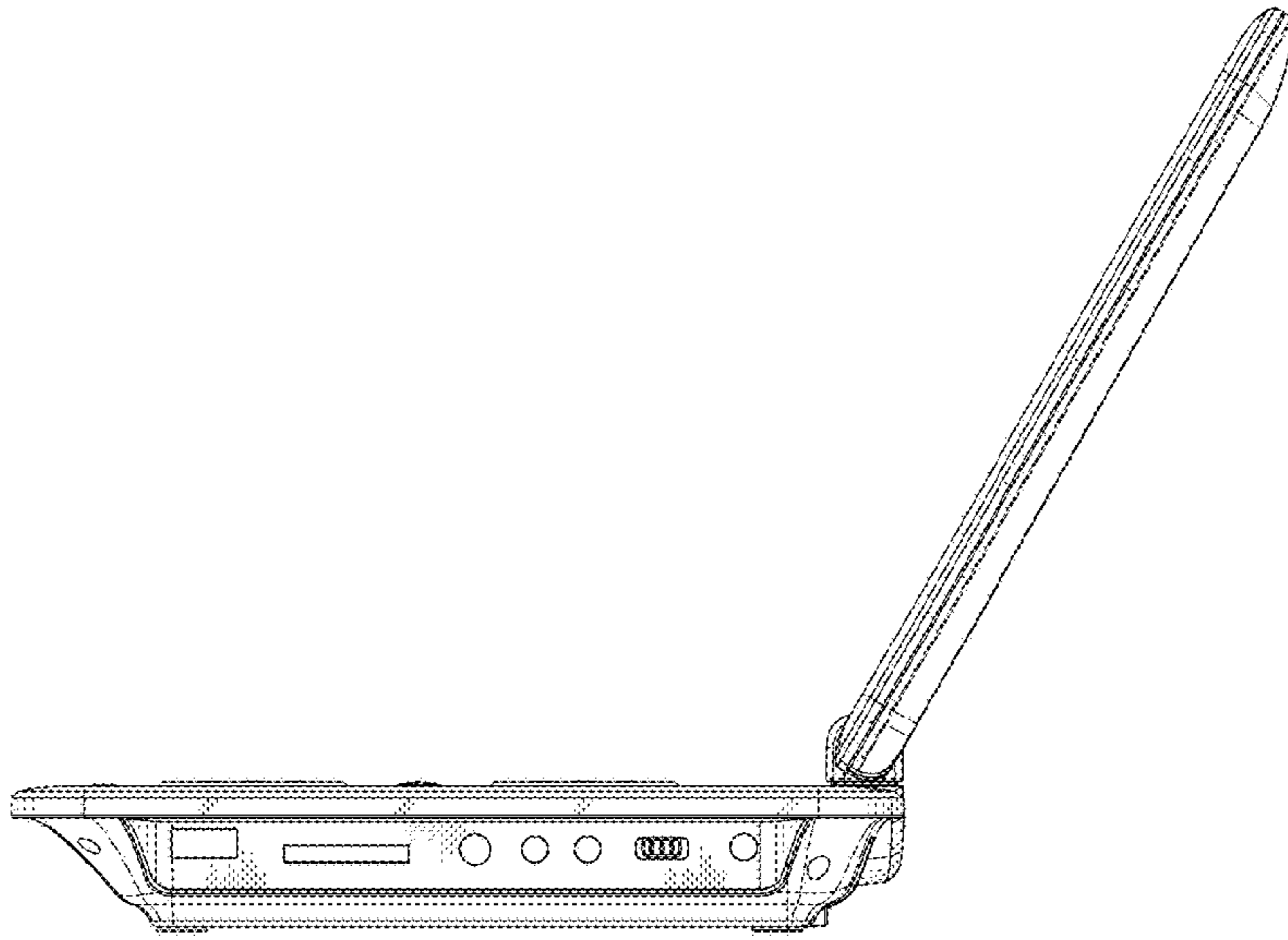


FIG. 6

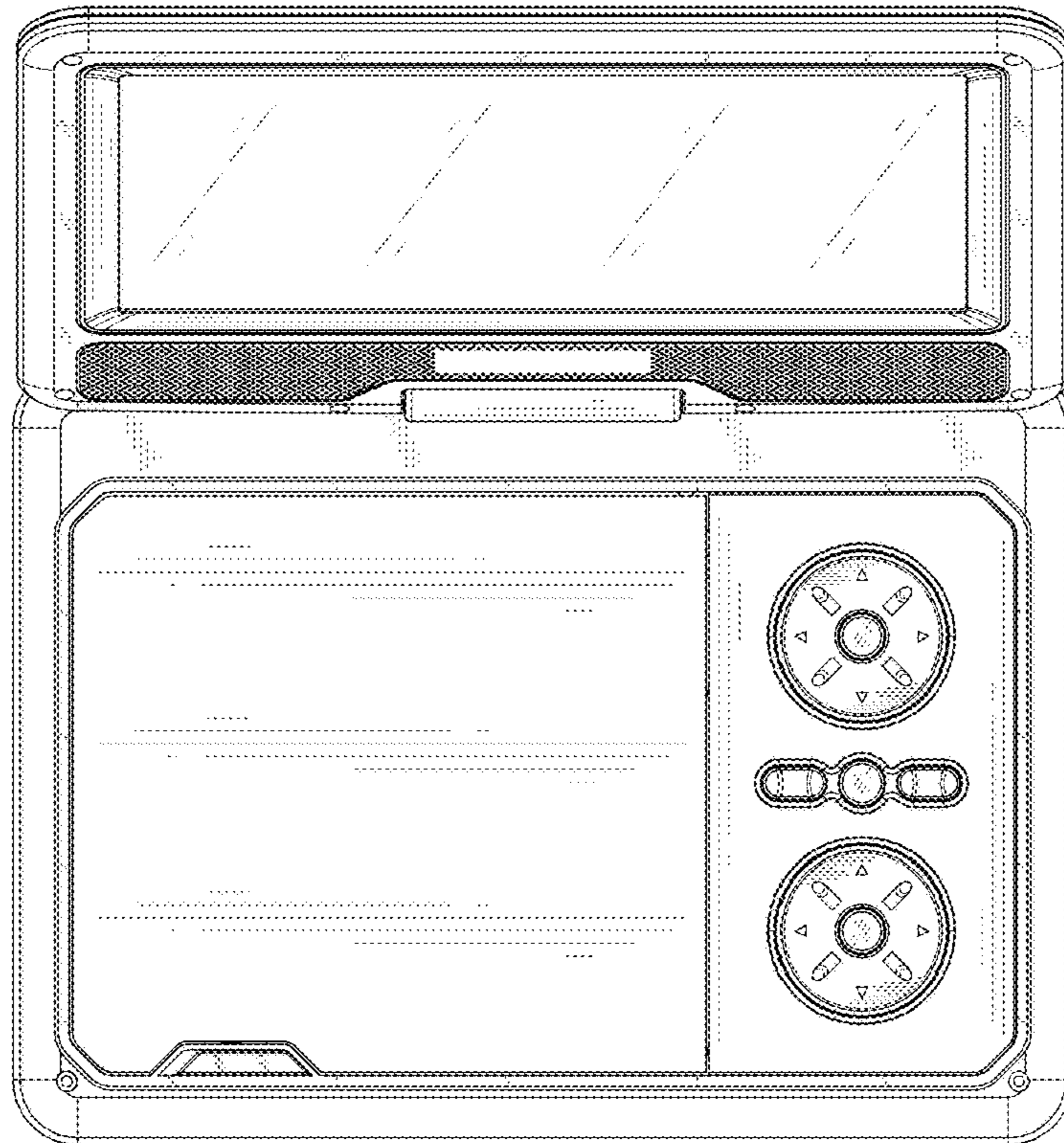


FIG. 7

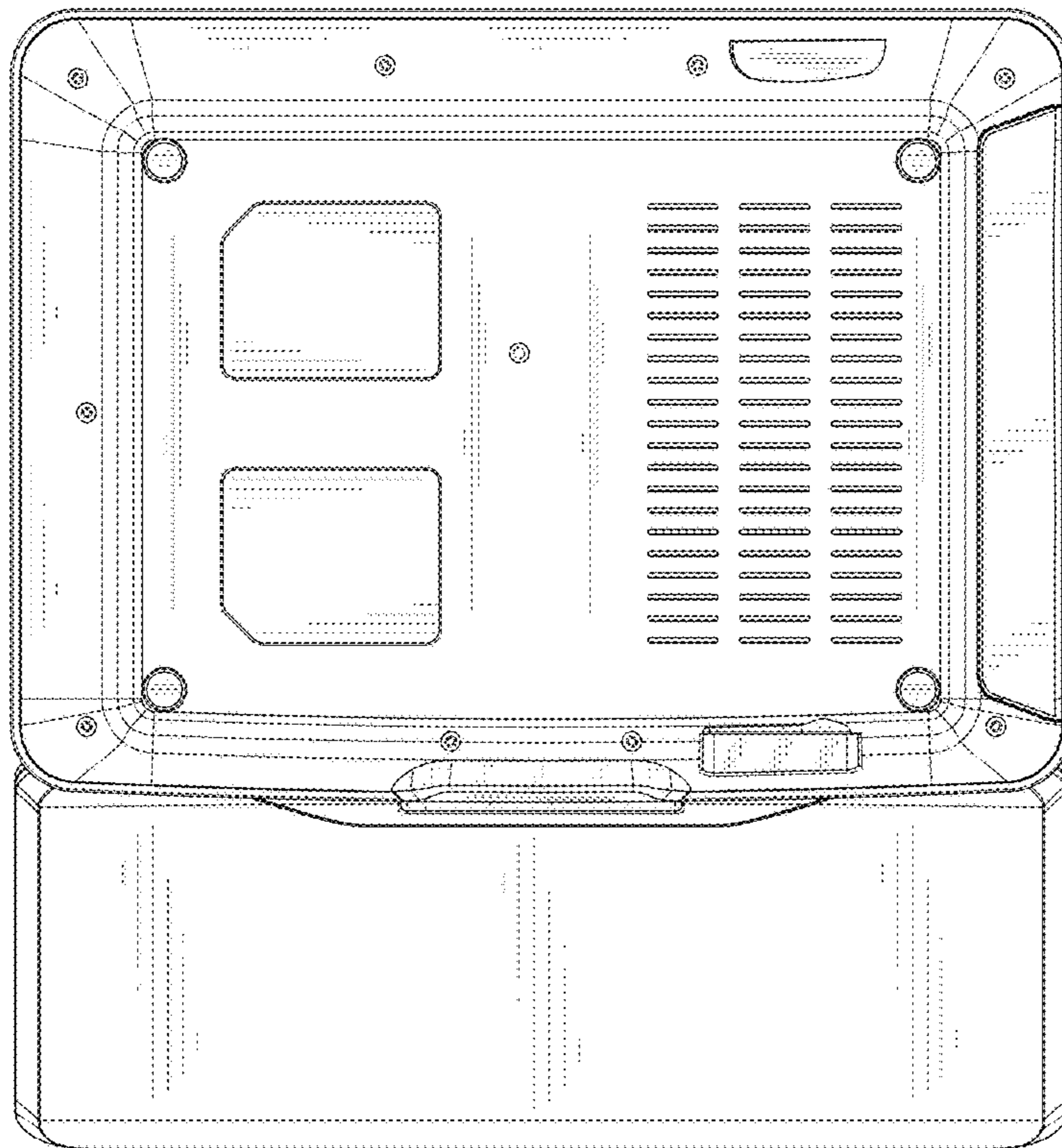


FIG. 8