



US00D859338S

(12) **United States Design Patent** (10) **Patent No.:** **US D859,338 S**  
**Lim et al.** (45) **Date of Patent:** **\*\* \*Sep. 10, 2019**

(54) **TELEVISION**  
(71) Applicant: **LG ELECTRONICS INC.**, Seoul (KR)  
(72) Inventors: **Chulhee Lim**, Seoul (KR); **Yooseok Kim**, Seoul (KR); **Sangik Lee**, Seoul (KR); **Jeongrok Lee**, Seoul (KR)  
(73) Assignee: **LG ELECTRONICS INC.**, Seoul (KR)  
(\* ) Notice: This patent is subject to a terminal disclaimer.  
(\*\* ) Term: **15 Years**  
(21) Appl. No.: **35/504,982**  
(22) Filed: **Nov. 22, 2017**  
(80) **Hague Agreement Data**  
Int. Filing Date: **Nov. 22, 2017**  
Int. Reg. No.: **DM/098712**  
Int. Reg. Date: **Nov. 22, 2017**  
Int. Reg. Pub. Date: **May 25, 2018**

(30) **Foreign Application Priority Data**  
May 24, 2017 (KR) ..... 30-2017-0023615  
(51) **LOC (12) Cl.** ..... **14-03**  
(52) **U.S. Cl.**  
USPC ..... **D14/126**  
(58) **Field of Classification Search**  
USPC ..... D14/126, 316, 335, 336, 340, 374;  
D21/515  
CPC ..... G06F 1/1626; H04N 5/64; H04N 5/645;  
H05K 5/00; H05K 5/0204  
See application file for complete search history.

(56) **References Cited**  
U.S. PATENT DOCUMENTS  
D731,994 S \* 6/2015 Won ..... D14/126  
D748,596 S \* 2/2016 McManigal ..... D14/126

D749,532 S \* 2/2016 McManigal ..... D14/126  
D750,582 S \* 3/2016 Kim ..... D14/126  
D783,555 S \* 4/2017 Cho ..... D14/126  
D785,581 S \* 5/2017 McManigal ..... D14/126  
D786,813 S \* 5/2017 McManigal ..... D14/126  
D806,666 S \* 1/2018 Kim ..... D14/126  
D817,902 S \* 5/2018 Lee ..... D14/126  
D818,979 S \* 5/2018 Won ..... D14/126  
10,057,504 B2 \* 8/2018 Lee ..... H04N 5/2628  
D827,601 S \* 9/2018 Kim ..... D14/126  
D835,059 S \* 12/2018 Kim ..... D14/126  
D836,075 S \* 12/2018 Ryu ..... D14/126  
D837,756 S \* 1/2019 Cheng ..... H04N 5/2628  
D14/126  
D837,757 S \* 1/2019 Kim ..... D14/126

\* cited by examiner

*Primary Examiner* — Robert M. Spear  
(74) *Attorney, Agent, or Firm* — Birch, Stewart, Kolasch & Birch, LLP

(57) **CLAIM**

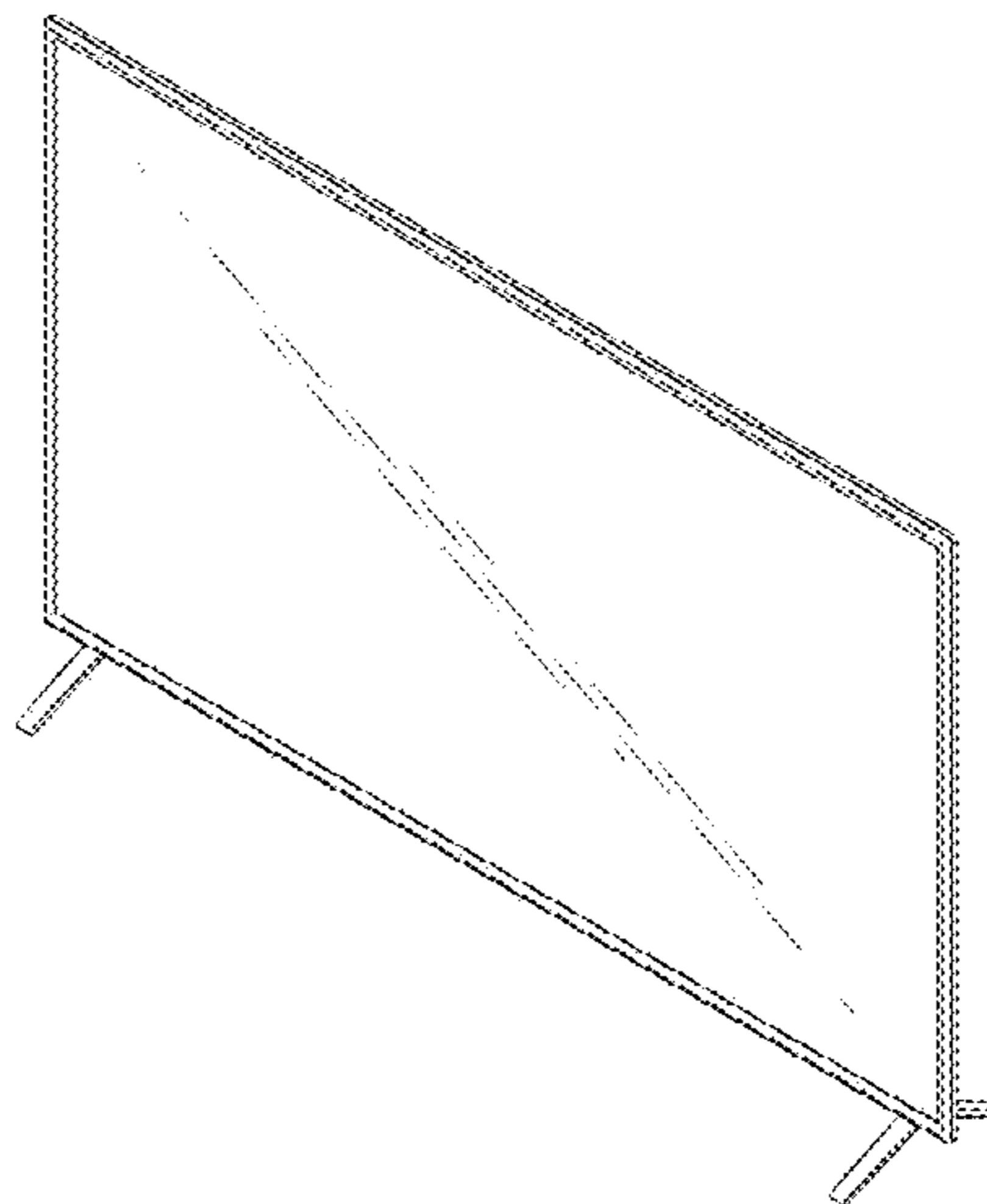
The ornamental design for a television, as shown and described.

**DESCRIPTION**

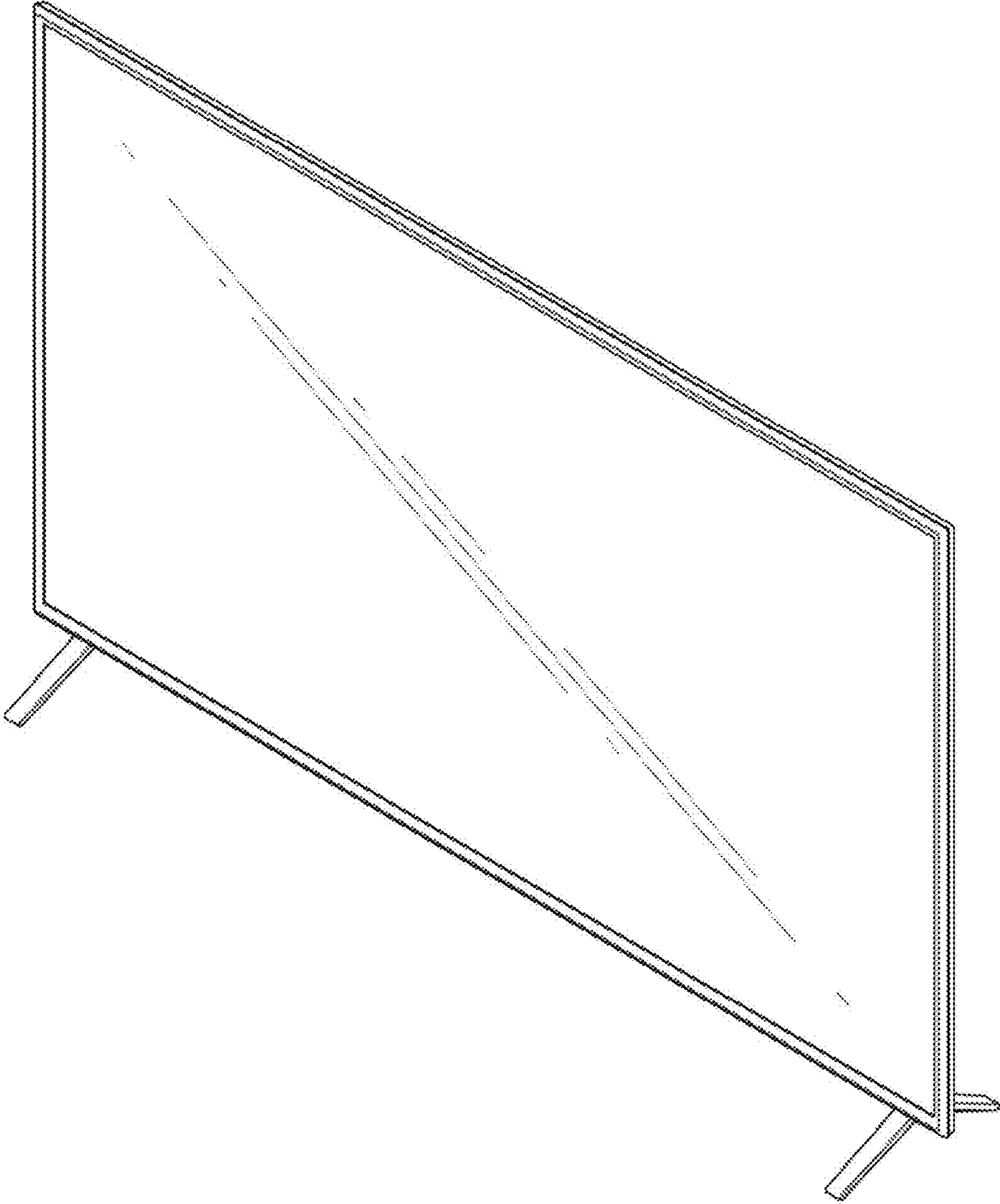
- 1. Television
- 1.1 : Perspective
- 1.2 : Front
- 1.3 : Back
- 1.4 : Left
- 1.5 : Right
- 1.6 : Top
- 1.7 : Bottom

The parallel fine lines and curves shown in all the drawings indicate the relief of surface of the product; the broken lines indicate unclaimed portions of the article that form no part of the claimed design.

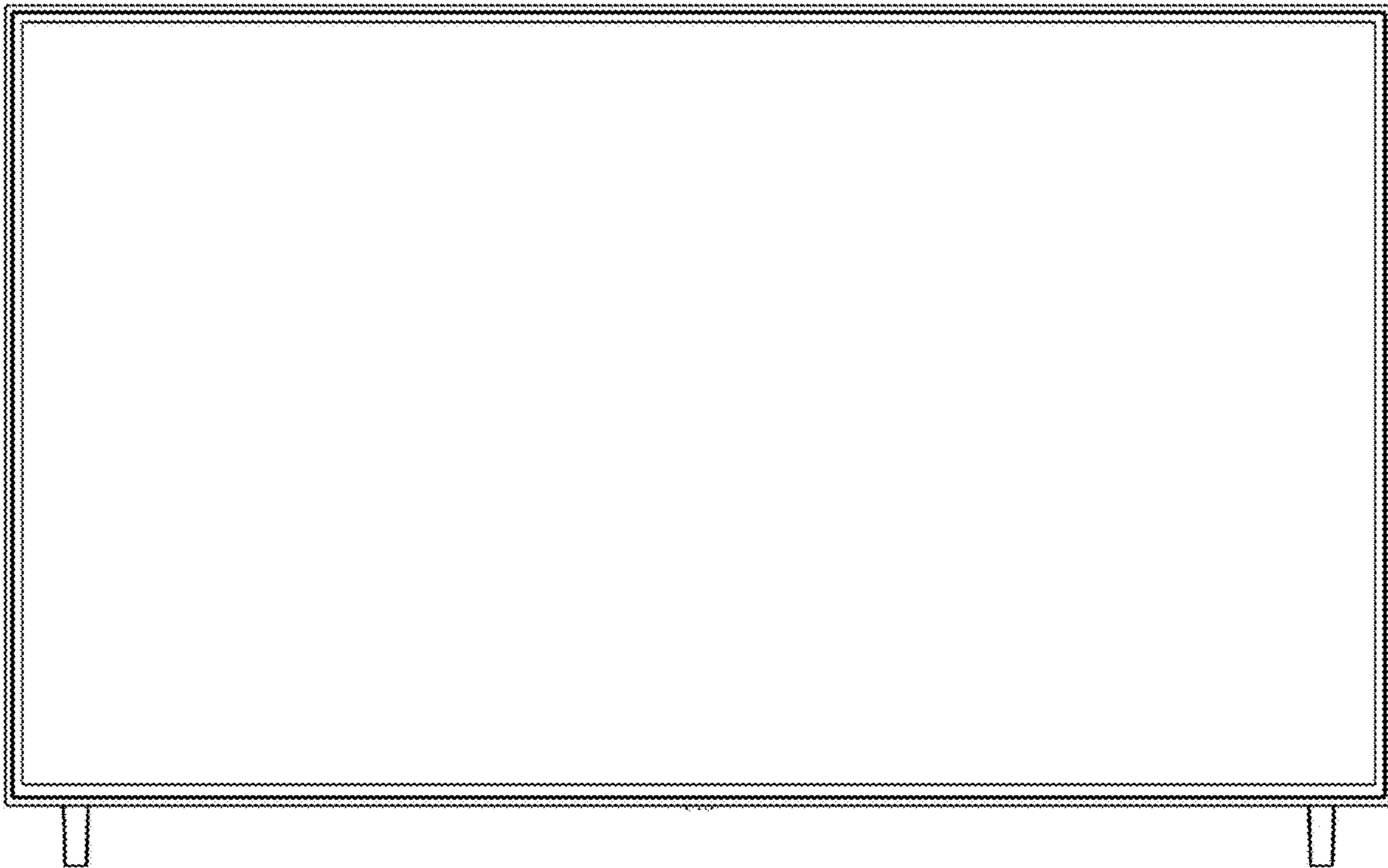
**1 Claim, 7 Drawing Sheets**



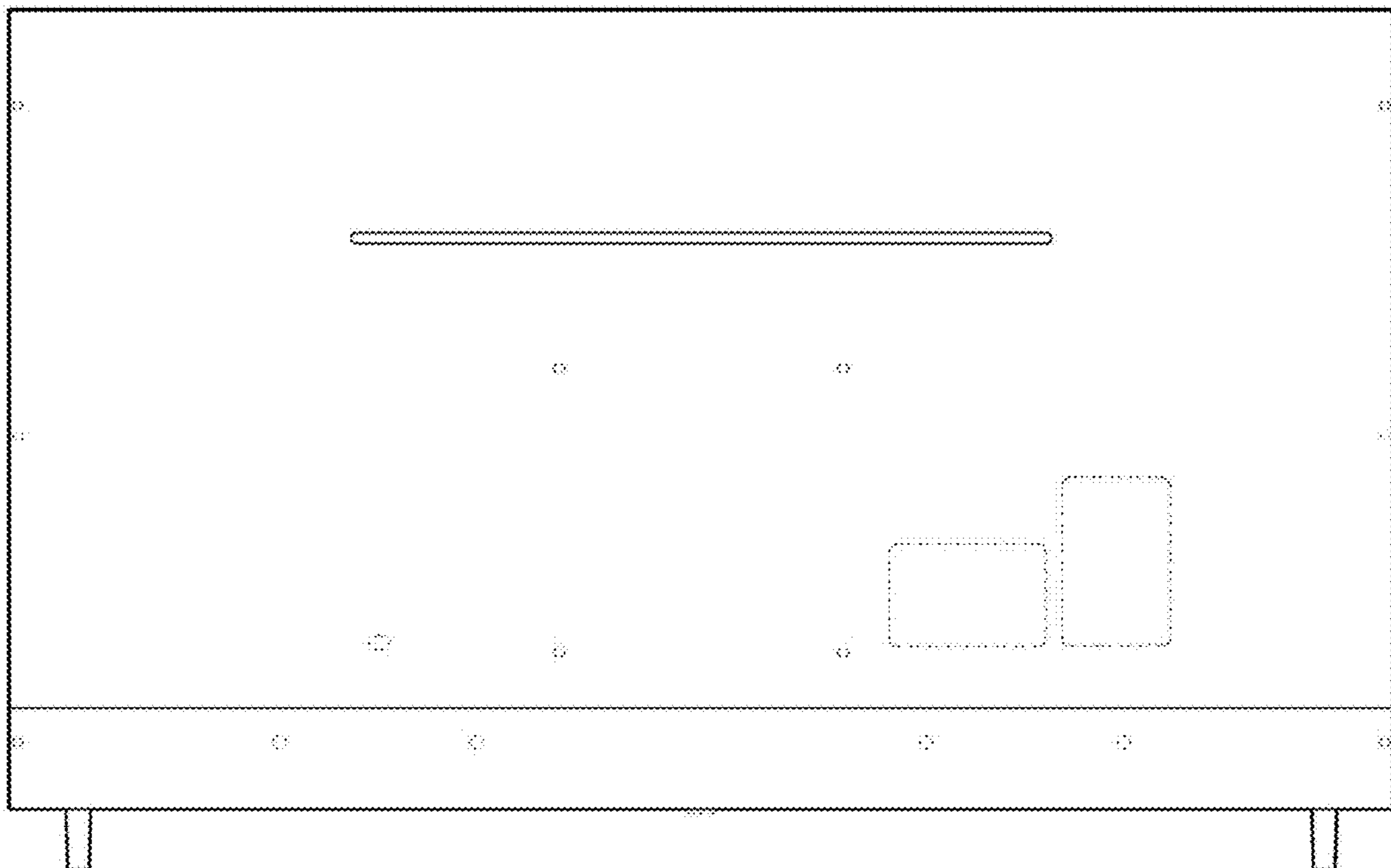
1.1



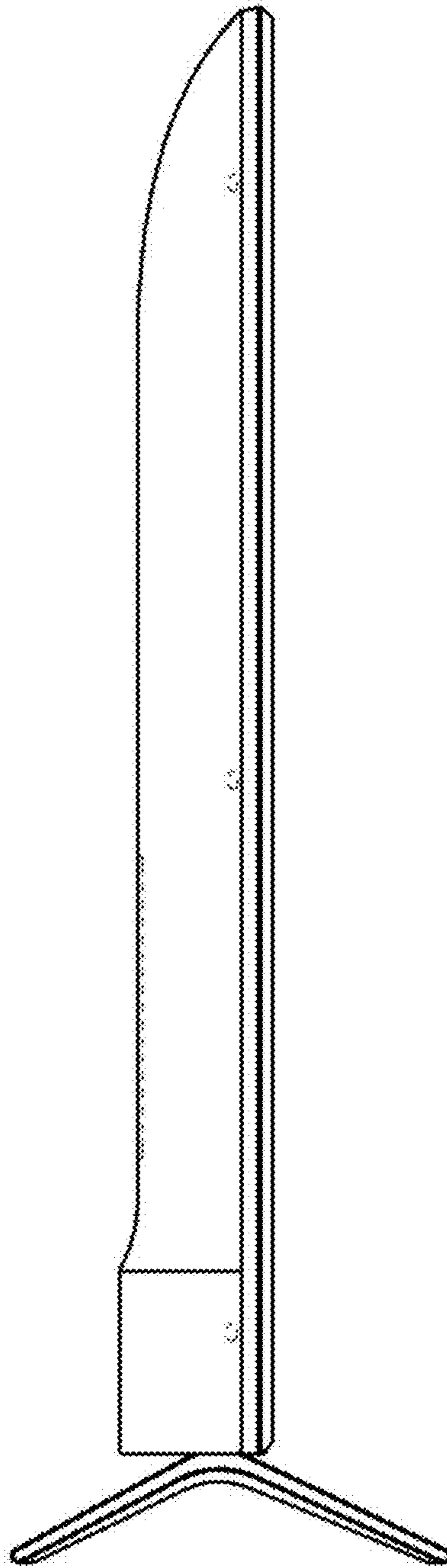
1.2



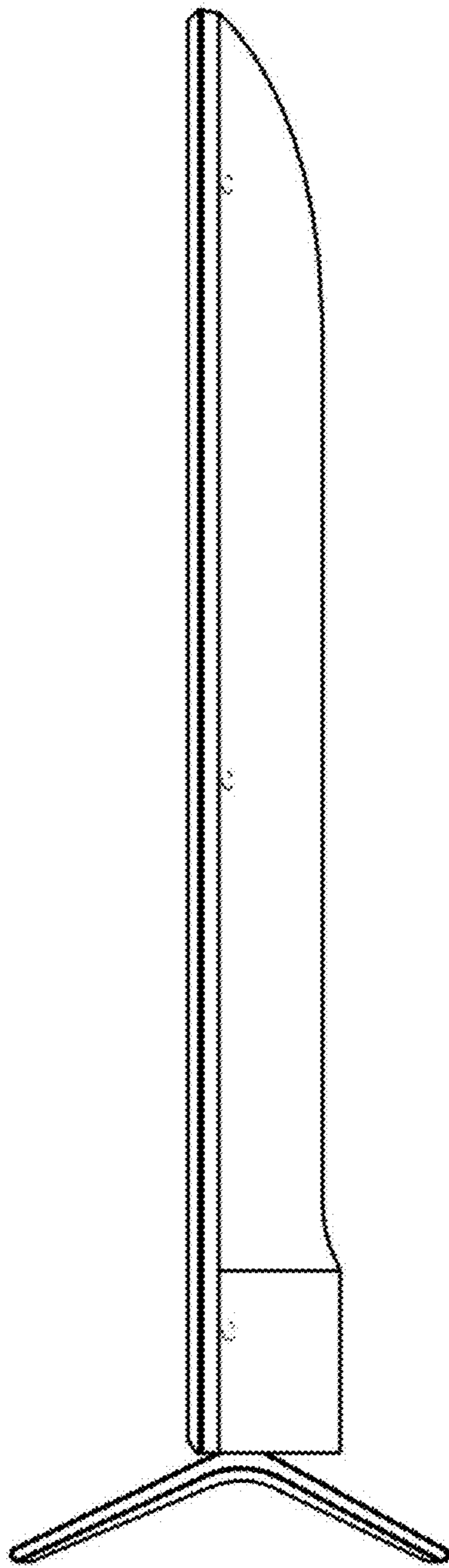
1.3



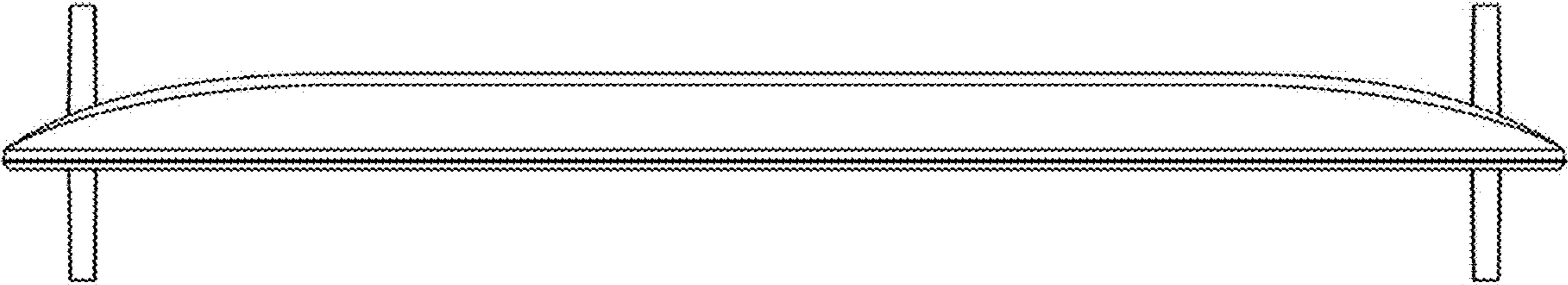
1.4



1.5



1.6



1.7

