

US00D859335S

(12) **United States Design Patent** (10) **Patent No.:** **US D859,335 S**
D'Ambrosio et al. (45) **Date of Patent:** **** Sep. 10, 2019**

(54) **ELECTRONIC DISPLAY APPARATUS**
(71) Applicant: **Plantronics, Inc.**, Santa Cruz, CA (US)
(72) Inventors: **Jeremy Jacob D'Ambrosio**, Soquel, CA (US); **Darrin Caddes**, Soquel, CA (US); **Jiefu Guo**, Santa Cruz, CA (US); **Jeffrey Michael Larson**, Santa Cruz, CA (US)
(73) Assignee: **Plantronics, Inc.**, Santa Cruz, CA (US)
(**) Term: **15 Years**
(21) Appl. No.: **29/653,525**
(22) Filed: **Jun. 15, 2018**

(56) **References Cited**
U.S. PATENT DOCUMENTS
D162,354 S * 3/1951 Smth D20/10
D414,476 S * 9/1999 Hibino D13/101
D496,038 S * 9/2004 Floyd D14/356
D512,406 S * 12/2005 Shimizu D14/167
D592,708 S * 5/2009 Hsu D21/369
D777,100 S * 1/2017 Price D13/103

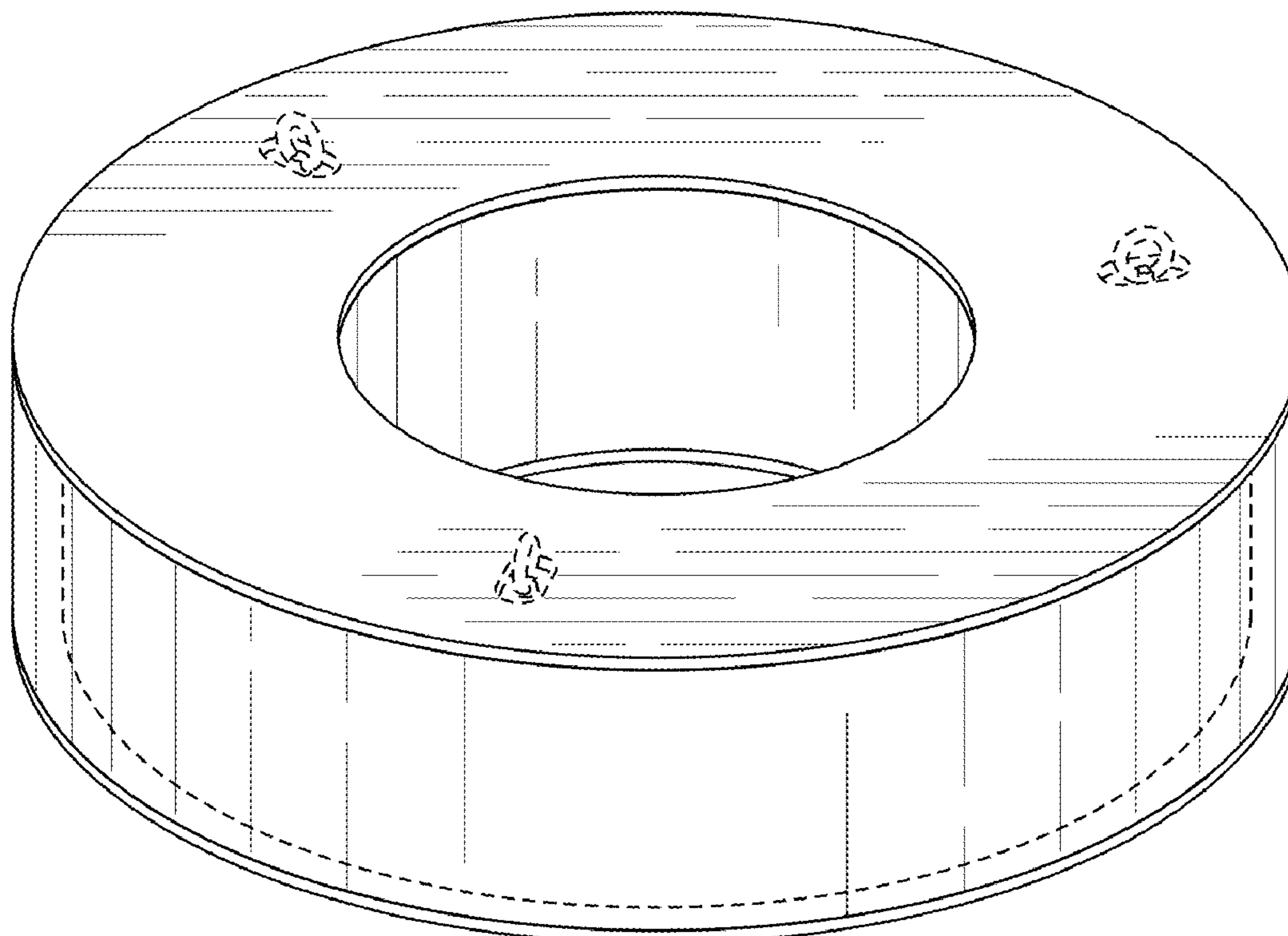
* cited by examiner
Primary Examiner — Randall H Gholson

(57) **CLAIM**
The ornamental design for an electronic display apparatus, as shown and described.

Related U.S. Application Data
(63) Continuation-in-part of application No. 29/630,653, filed on Dec. 21, 2017, now Pat. No. Des. 845,258.
(51) **LOC (12) Cl.** **14-03**
(52) **U.S. Cl.**
USPC **D14/125; D20/42**
(58) **Field of Classification Search**
USPC D14/125, 357-358, 496, 188, 242, 432;
D13/184; 348/10, 460, 706, 731;
340/825.03; 455/6.1, 6.2; 312/223.1,
312/7.2; D20/42
CPC .. H04N 5/50; H04N 5/64; H05K 5/02; H05K
5/03; G06F 1/16
See application file for complete search history.

DESCRIPTION
FIG. 1 is a top-front perspective view of an electronic display apparatus showing our new design;
FIG. 2 is a bottom-back perspective view thereof;
FIG. 3 is a front view thereof;
FIG. 4 is a back view thereof;
FIG. 5 is a right-side view thereof;
FIG. 6 is a left-side view thereof;
FIG. 7 is a top view thereof; and,
FIG. 8 is a bottom view thereof.
The broken lines showing the unclaimed features form no part of the claimed design.

1 Claim, 5 Drawing Sheets



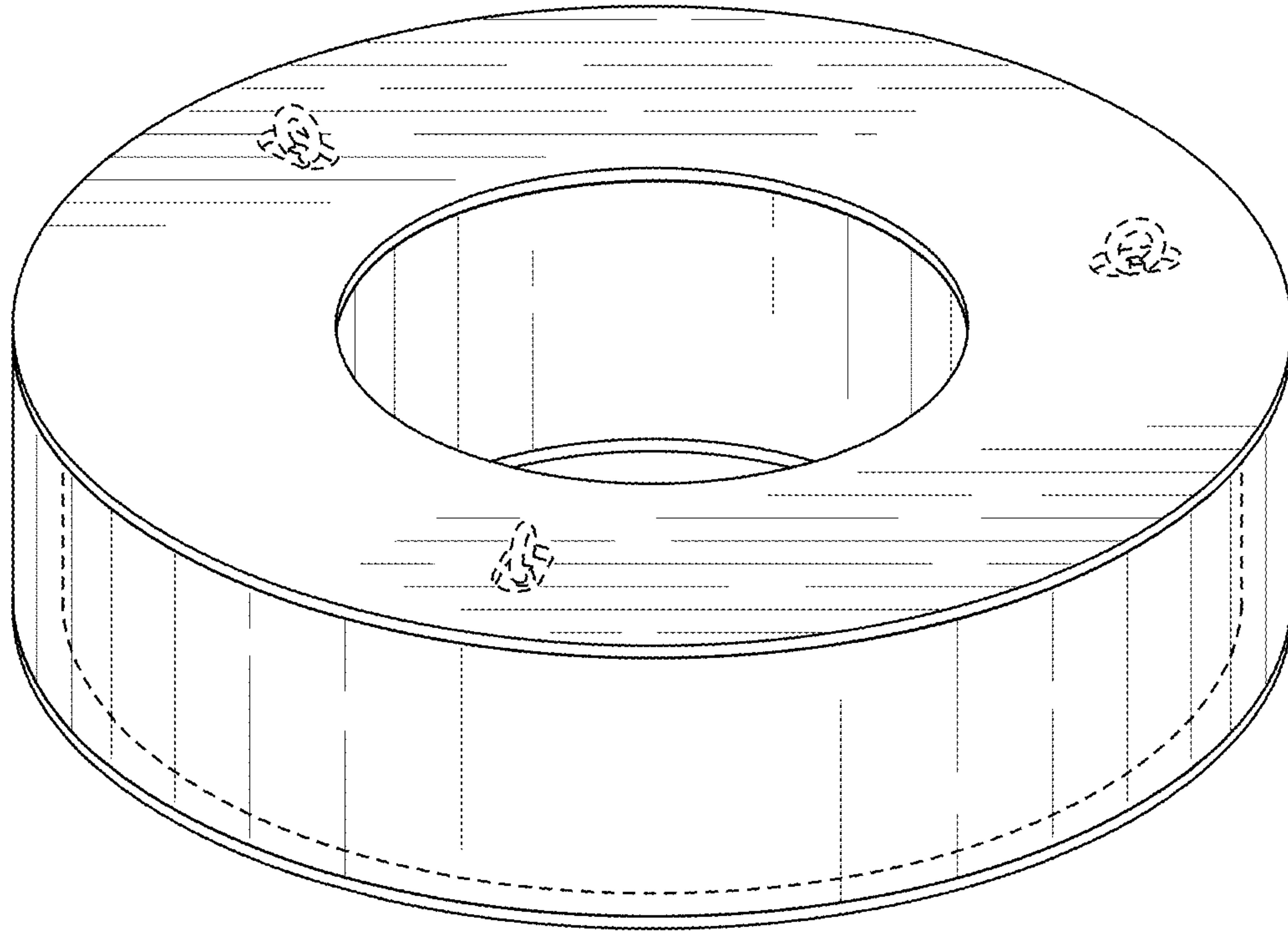


FIG. 1

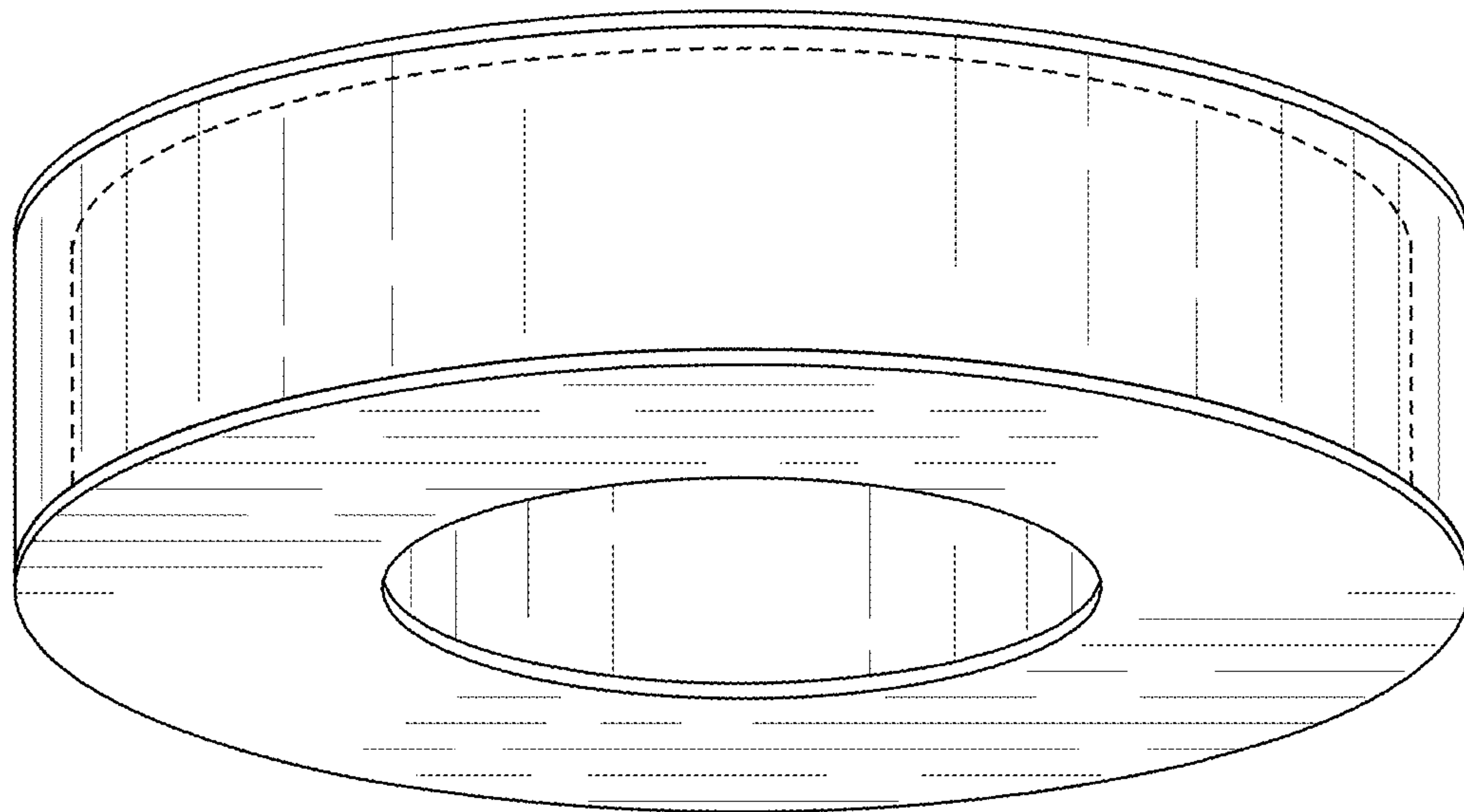


FIG. 2

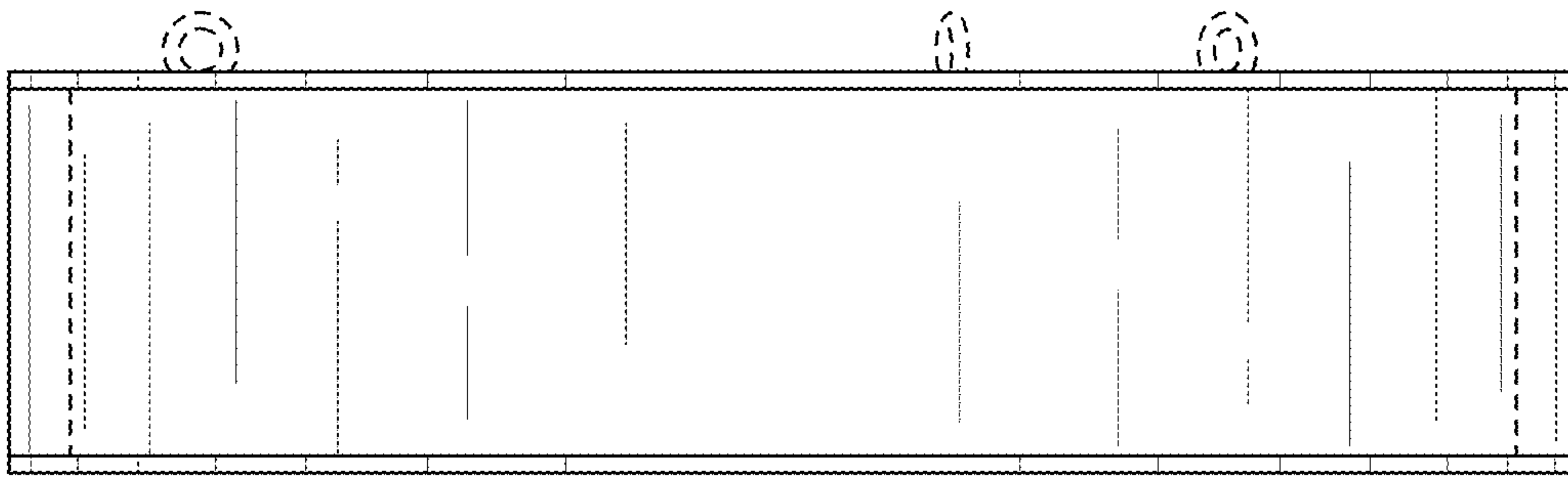


FIG. 3

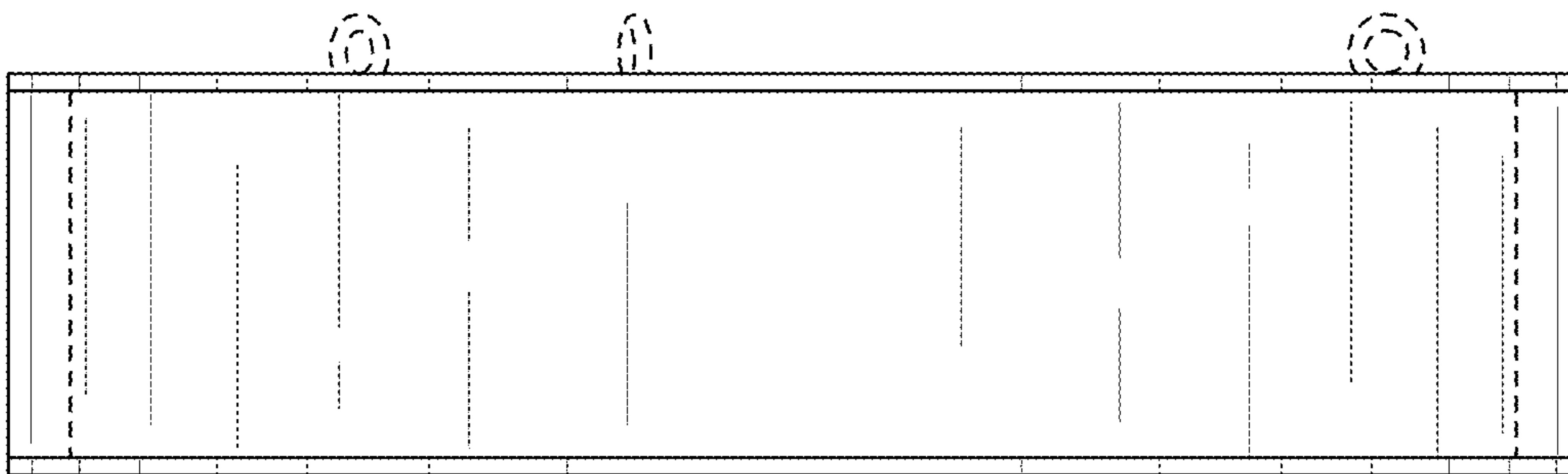


FIG. 4

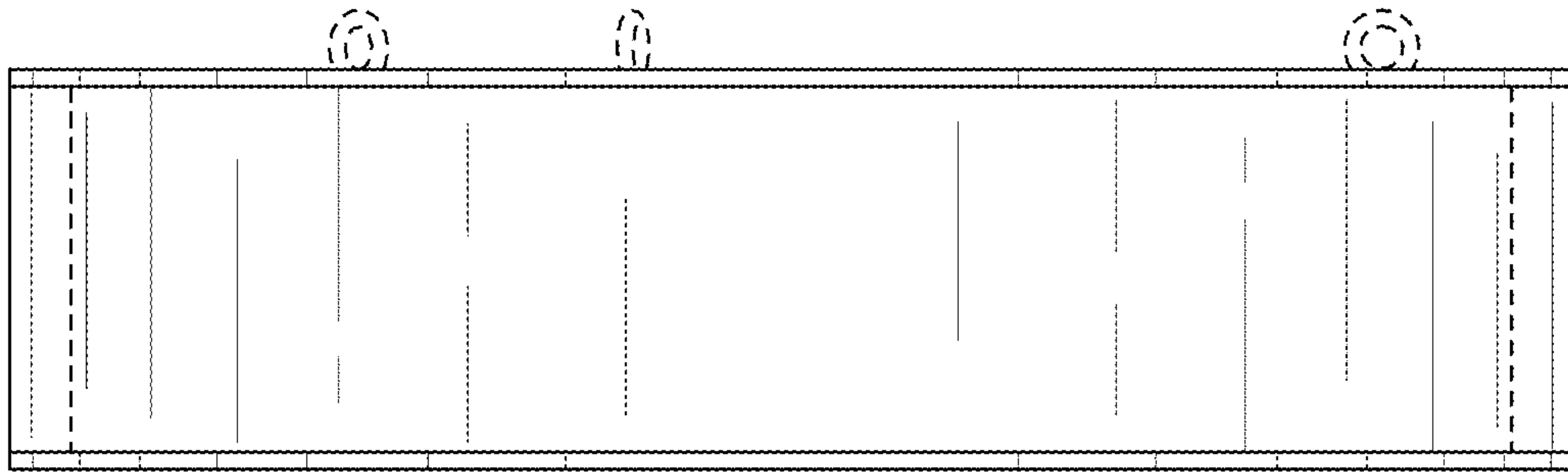


FIG. 5

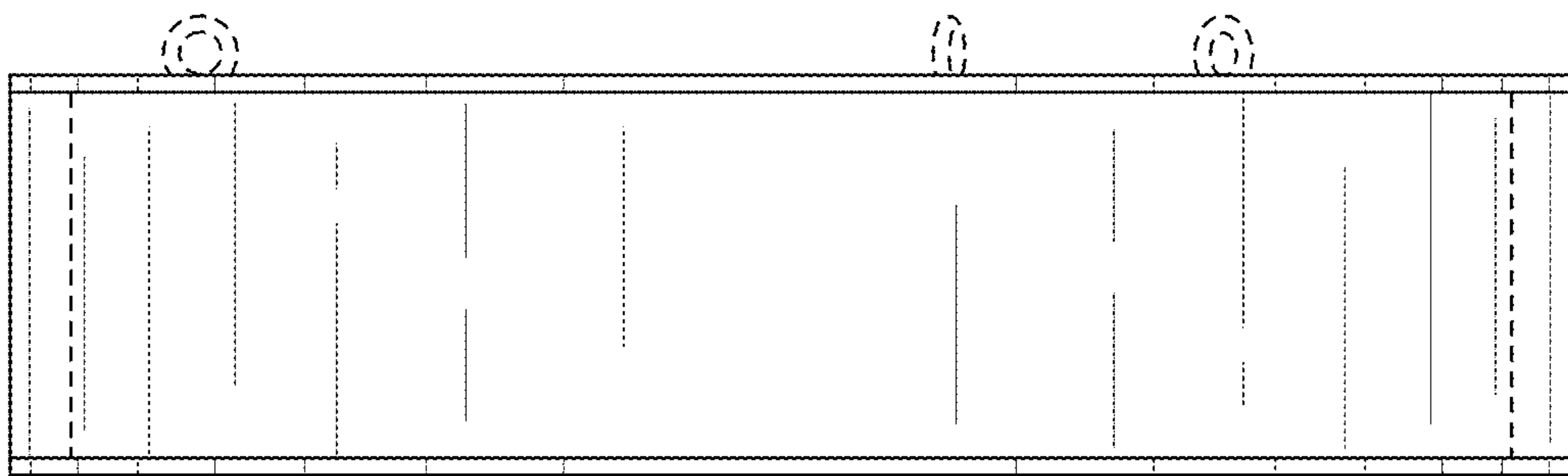


FIG. 6

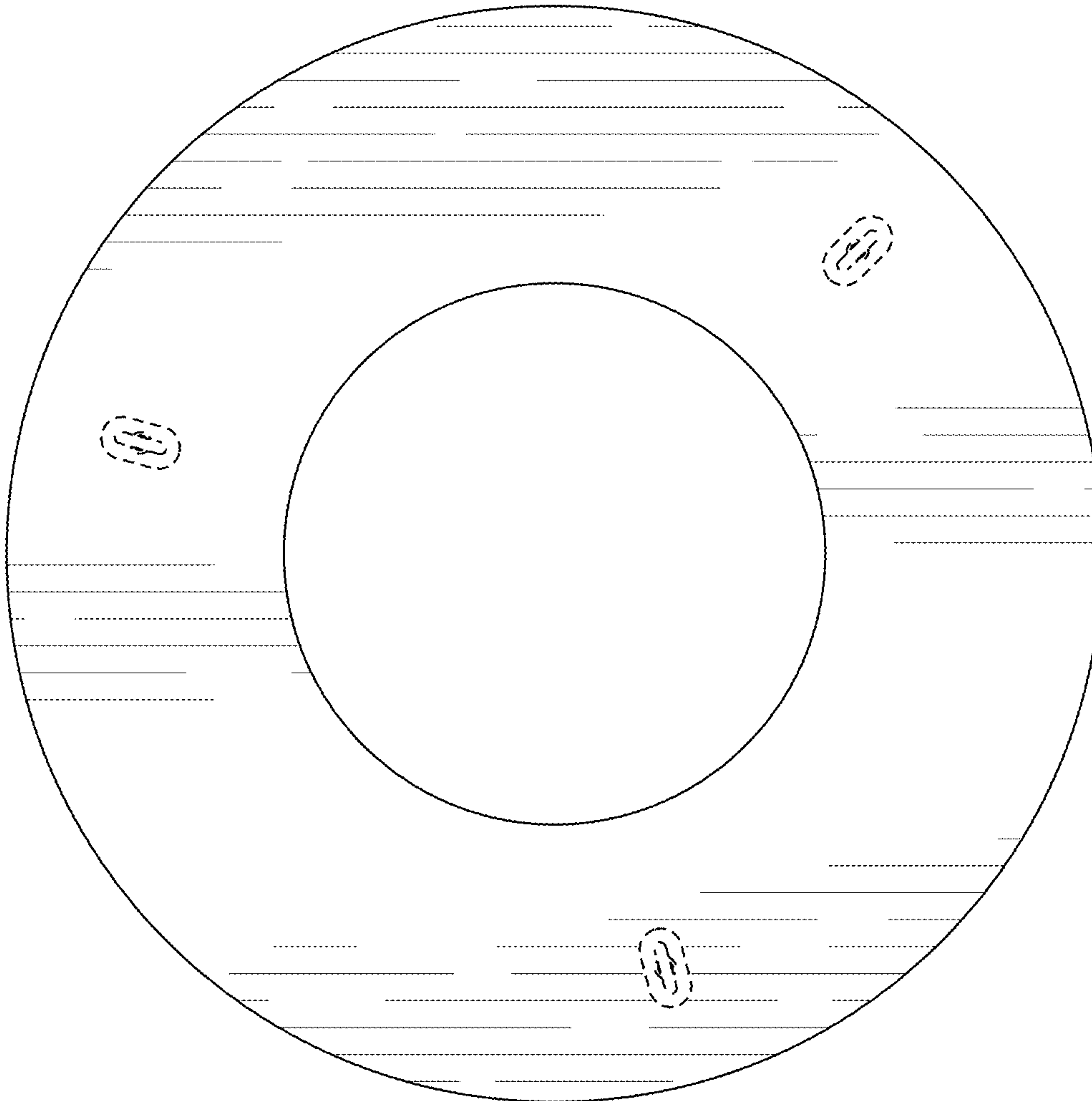


FIG. 7

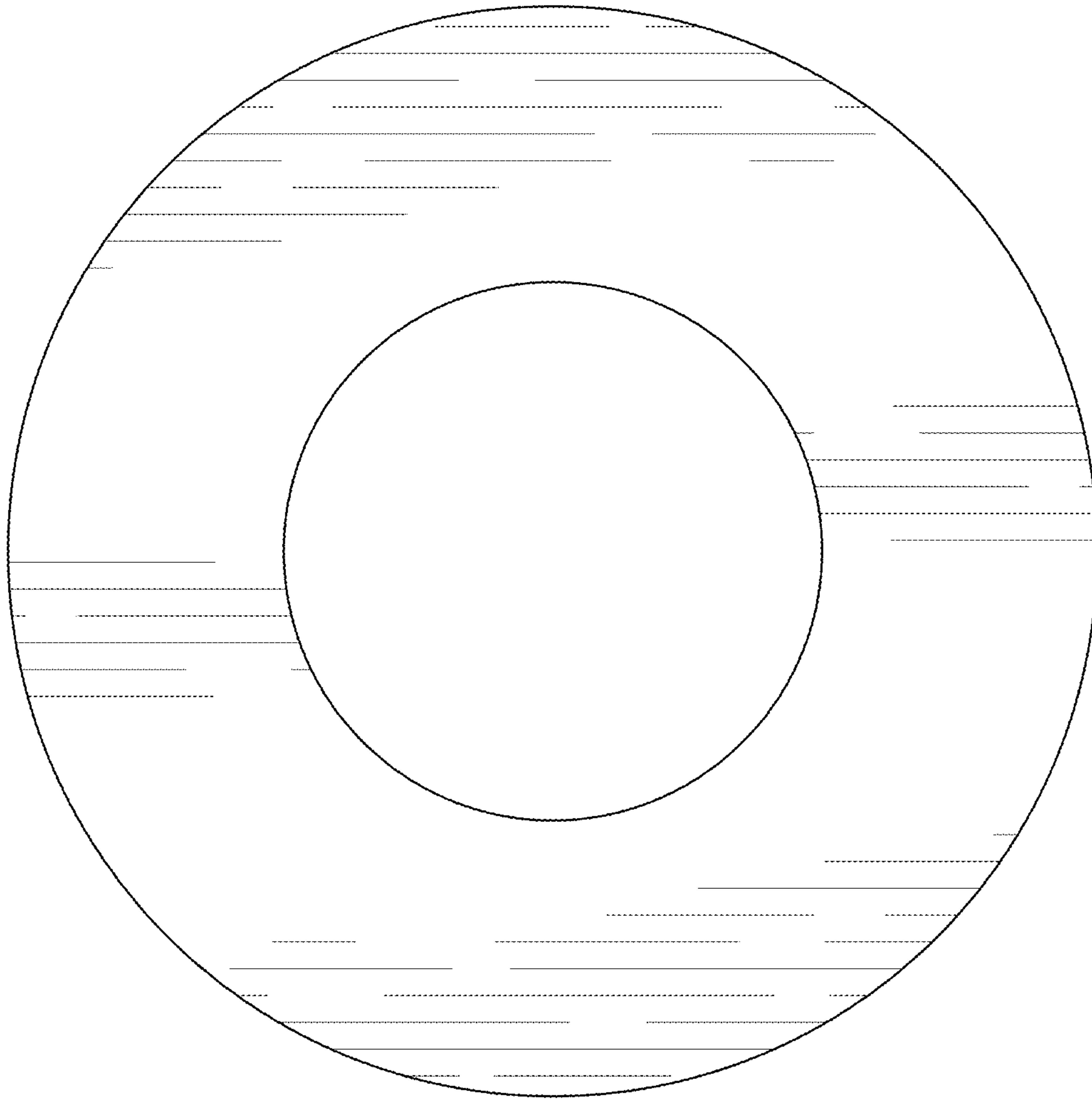


FIG. 8