



US00D859330S

(12) **United States Design Patent**  
**Yamamoto**

(10) **Patent No.:** **US D859,330 S**

(45) **Date of Patent:** **\*\* Sep. 10, 2019**

(54) **SWITCH FOR ELEVATING DESK TOP PLATE**

(71) Applicant: **Okamura Corporation**, Kanagawa (JP)

(72) Inventor: **Takayuki Yamamoto**, Tokyo (JP)

(73) Assignee: **OKAMURA CORPORATION**, Kanagawa (JP)

(\*\*) Term: **15 Years**

(21) Appl. No.: **29/634,711**

(22) Filed: **Jan. 24, 2018**

(30) **Foreign Application Priority Data**

Jul. 27, 2017 (JP) ..... 2017-016254

(51) **LOC (12) Cl.** ..... **13-03**

(52) **U.S. Cl.**  
USPC ..... **D13/177**

(58) **Field of Classification Search**  
USPC ... D13/139.4, 155, 156, 162, 164, 171, 173,  
D13/177; D14/305, 441, 445; D6/641,  
D6/655, 655.1, 704, 705, 705.1, 705.2,  
D6/705.5; D7/397, 399; D8/353, 354,  
D8/380

CPC .. H01H 3/00; H01H 3/02; H01H 3/04; H01H  
3/06; H01H 9/02; H01H 13/02; H01H  
13/04; H01H 13/10; H01H 13/86; H01H  
21/22; H01H 21/24; A47C 1/0345; A47C  
1/035; A47B 21/02; A47B 9/00; A61G  
13/02; A61G 7/018; G05B 15/02

See application file for complete search history.

(56) **References Cited**

**U.S. PATENT DOCUMENTS**

4,440,096 A \* 4/1984 Rice ..... A47B 9/04  
108/147  
D305,018 S \* 12/1989 Pena ..... D13/164

D305,019 S \* 12/1989 Pena ..... D13/171  
D310,202 S \* 8/1990 Suck ..... D13/164  
D315,527 S \* 3/1991 Kulikowski ..... D10/108  
5,120,117 A \* 6/1992 Williams ..... A47B 21/0314  
108/25  
D335,283 S \* 5/1993 Justiniano ..... D13/171  
D336,895 S \* 6/1993 Rogov ..... D13/177

(Continued)

**OTHER PUBLICATIONS**

Google image; Jarvis Bamboo Standing Desk; prior to Jan. 24, 2018-; 1 pg.; [https://www.google.com/search?q=height+adjustable+desk++control&hl=en&biw=1536&bih=813&source=Int&tbs=cdr%3A1%2Ccd\\_min%3A%2Ccd\\_max%3A1%2F24%2F2018&tbm=isch#imgcr=0RziQLjYsFQ60M:&spf=1555938362075.\\*](https://www.google.com/search?q=height+adjustable+desk++control&hl=en&biw=1536&bih=813&source=Int&tbs=cdr%3A1%2Ccd_min%3A%2Ccd_max%3A1%2F24%2F2018&tbm=isch#imgcr=0RziQLjYsFQ60M:&spf=1555938362075.*)

(Continued)

*Primary Examiner* — Selina Sikder

(74) *Attorney, Agent, or Firm* — IPUSA, PLLC

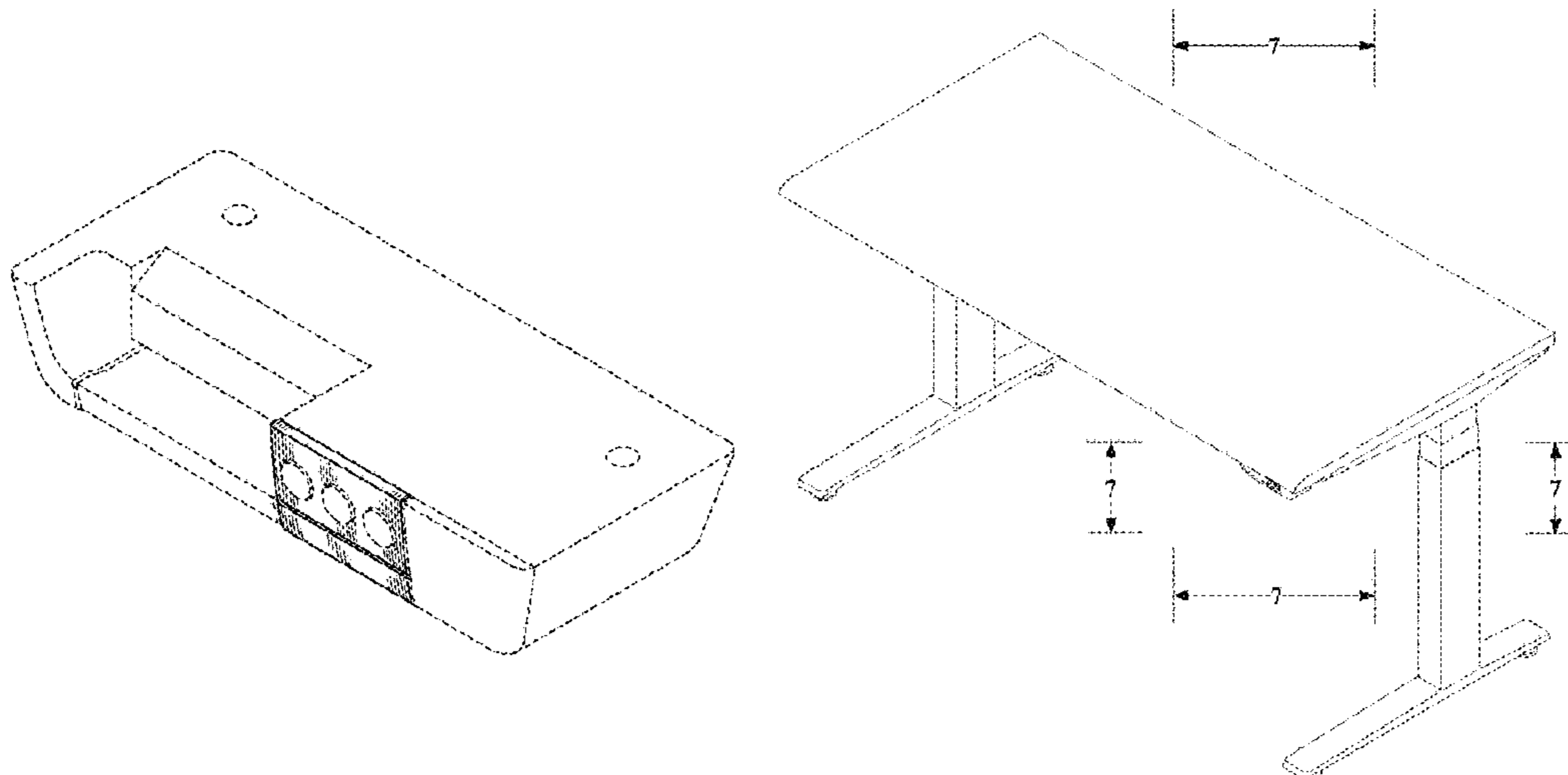
(57) **CLAIM**

The ornamental design for a switch for elevating desk top plate, as shown and described.

**DESCRIPTION**

FIG. 1 is a front, top, and right side perspective view of a switch for elevating desk top plate, showing our new design; FIG. 2 is a front, top, and left side perspective view thereof; FIG. 3 is a front view thereof; FIG. 4 is a top plan view thereof; FIG. 5 is a bottom plan view thereof; FIG. 6 is a perspective view thereof, shown in a state of use; and, FIG. 7 is an enlarged portion view thereof, illustrating the region indicated by 7 in FIG. 6. The broken lines shown in the drawings represent portions of the switch for elevating desk top plate that form no part of the claimed design. All sides not shown form no part of the claimed design.

**1 Claim, 4 Drawing Sheets**



(56)

References Cited

U.S. PATENT DOCUMENTS

5,452,950	A *	9/1995	Crenshaw	.....	A47B 39/00 248/918
D414,759	S *	10/1999	Lu	.....	D14/445
D442,561	S *	5/2001	Camarota	.....	D13/162
6,595,144	B1 *	7/2003	Doyle	.....	A47B 9/00 108/147
D533,846	S *	12/2006	Burton	.....	D13/171
D562,779	S *	2/2008	Lamoree	.....	D13/171
7,381,913	B2 *	6/2008	Sjostrom	.....	H01H 13/48 200/5 A
D584,244	S *	1/2009	Ohlert	.....	D13/171
D586,205	S *	2/2009	Robbins, III	.....	D8/380
D820,221	S *	6/2018	Yang	.....	D13/164
10,028,576	B1 *	7/2018	Yao	.....	A47B 21/02
D825,493	S *	8/2018	Chen	.....	D13/164
D833,981	S *	11/2018	Seal	.....	D13/162
D841,366	S *	2/2019	Herring	.....	D6/641
D846,503	S *	4/2019	Yang	.....	D13/162
D846,504	S *	4/2019	Yang	.....	D13/162
2008/0245279	A1 *	10/2008	Pan	.....	A47B 9/00 108/144.11
2013/0199419	A1 *	8/2013	Hjelm	.....	A47B 9/00 108/20
2015/0246404	A1 *	9/2015	Teraoka	.....	B23K 3/08 219/129

OTHER PUBLICATIONS

Google image; Edesk Hand Control Panel, prior to Jan. 24, 2018; 1 pg.; [https://www.google.com/search?q=height+adjustable+desk++control&hl=en&biw=1536&bih=813&source=Int&tbs=cdr%3A1%2Ccd\\_min%3A%2Ccd\\_max%3A1%2F24%2F2018&tbm=isch#imgrc=zG6Oqr1Z6awXMM:&spf=1555938362075](https://www.google.com/search?q=height+adjustable+desk++control&hl=en&biw=1536&bih=813&source=Int&tbs=cdr%3A1%2Ccd_min%3A%2Ccd_max%3A1%2F24%2F2018&tbm=isch#imgrc=zG6Oqr1Z6awXMM:&spf=1555938362075).\*

Google image; iMovR Vigor Electric Control, prior to Jan. 24, 2018; 1 pg.; [https://www.google.com/search?q=height+adjustable+switch&hl=en&biw=1536&bih=813&source=Int&tbs=cdr%3A1%2Ccd\\_min%3A%2Ccd\\_max%3A1%2F24%2F2018&tbm=isch#imgdii=nDK7BAG0a2NM4M:&imgrc=IxDIQwXaQsitQM:&spf=1555965626868](https://www.google.com/search?q=height+adjustable+switch&hl=en&biw=1536&bih=813&source=Int&tbs=cdr%3A1%2Ccd_min%3A%2Ccd_max%3A1%2F24%2F2018&tbm=isch#imgdii=nDK7BAG0a2NM4M:&imgrc=IxDIQwXaQsitQM:&spf=1555965626868).\*

Google image, UPLIFT V2 Curved Corner Keypad, prior to Jan. 24, 2018, 1pg.; [https://www.google.com/search?hl=en&biw=1536&bih=813&tbs=cdr%3A1%2Ccd\\_max%3A1%2F24%2F2018&tbm=isch&sa=1&ei=iSe-XPncFqxxgfd\\_42YDA&q=UPLIFT+V2+Curved+](https://www.google.com/search?hl=en&biw=1536&bih=813&tbs=cdr%3A1%2Ccd_max%3A1%2F24%2F2018&tbm=isch&sa=1&ei=iSe-XPncFqxxgfd_42YDA&q=UPLIFT+V2+Curved+)

Corner+Keypad&oq=UPLIFT+V2+Curved+Corner+Keypad&gs\_I=img.12...92381.92381..93438...0.0.\*

Google image—Adjustable Height Units, prior to Jan. 24, 2018, 1 pg.; [https://www.google.com/search?q=height+adjustable+switch&hl=en&biw=1536&bih=813&source=Int&tbs=cdr%3A1%2Ccd\\_min%3A%2Ccd\\_max%3A1%2F24%2F2018&tbm=isch#imgrc=e6EbcPqUx1pcHM:&spf=1556228572404](https://www.google.com/search?q=height+adjustable+switch&hl=en&biw=1536&bih=813&source=Int&tbs=cdr%3A1%2Ccd_min%3A%2Ccd_max%3A1%2F24%2F2018&tbm=isch#imgrc=e6EbcPqUx1pcHM:&spf=1556228572404).\*

Google image MedicalExpo Electric massage table; date unknown; 1 pg.; [https://www.google.com/search?q=height+adjustable+switch&hl=en&tbm=isch&tbs=rimg:CUFf6guahSdnljgxwiLvEnRSRNVpyDEddlttEm69U\\_16SCY986wUJfIDFbPHv6s7sVwle2Wtm8mNEh03b6HweQhCWNioSCTHClu8SdFJEEsP\\_19QUkT7wkKhlJlWnlMR12W20R5xRIORHVkOoq\\_EgkSbr1T\\_1p](https://www.google.com/search?q=height+adjustable+switch&hl=en&tbm=isch&tbs=rimg:CUFf6guahSdnljgxwiLvEnRSRNVpyDEddlttEm69U_16SCY986wUJfIDFbPHv6s7sVwle2Wtm8mNEh03b6HweQhCWNioSCTHClu8SdFJEEsP_19QUkT7wkKhlJlWnlMR12W20R5xRIORHVkOoq_EgkSbr1T_1p).\*

Google image, Three Button Power Function; Jan. 24, 2017, 1 pg.; [https://www.google.com/search?q=three+button+switch+panel&hl=en&biw=1536&bih=813&source=Int&tbs=cdr%3A1%2Ccd\\_min%3A%2Ccd\\_max%3A11%2F24%2F2017&tbm=isch#imgrc=SbkHN3\\_OXShM:&spf=1556214194530](https://www.google.com/search?q=three+button+switch+panel&hl=en&biw=1536&bih=813&source=Int&tbs=cdr%3A1%2Ccd_min%3A%2Ccd_max%3A11%2F24%2F2017&tbm=isch#imgrc=SbkHN3_OXShM:&spf=1556214194530).\*

Google image, NPL 8—Button Panel Deckplate, Nov. 24, 2017, 1 pg.; [https://www.google.com/search?hl=en&biw=1536&bih=813&tbs=cdr%3A1%2Ccd\\_max%3A11%2F24%2F2017&tbm=isch&sa=1&ei=ArjBXNa9DuO8ggek\\_6LYBg&q=three+button++panel&oq=three+button++panel&gs\\_I=img.12...6610.7726..8988...0.0..0.52.263.6.....0....1..gws-w](https://www.google.com/search?hl=en&biw=1536&bih=813&tbs=cdr%3A1%2Ccd_max%3A11%2F24%2F2017&tbm=isch&sa=1&ei=ArjBXNa9DuO8ggek_6LYBg&q=three+button++panel&oq=three+button++panel&gs_I=img.12...6610.7726..8988...0.0..0.52.263.6.....0....1..gws-w).\*

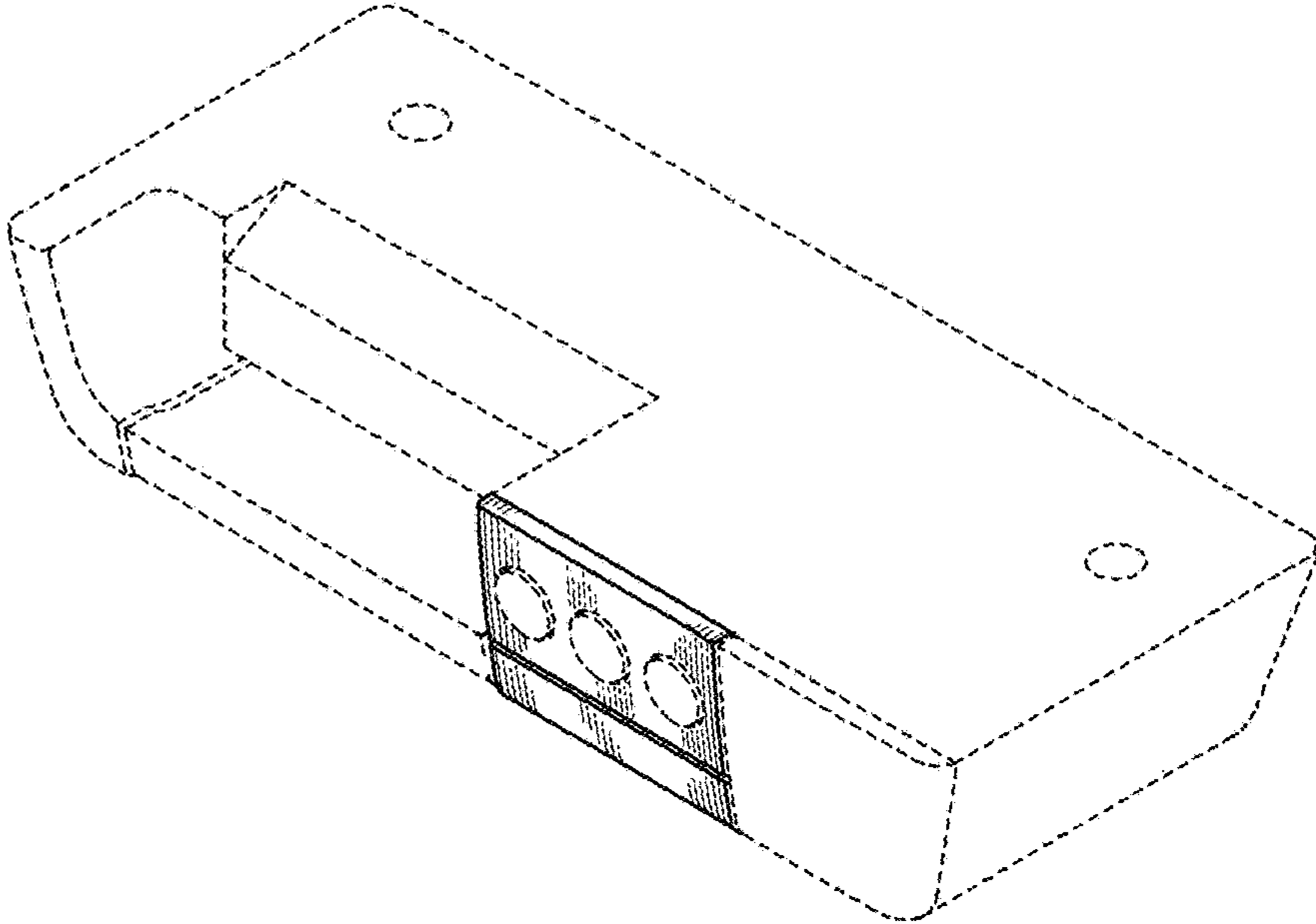
Google image, Button Panel Options, Nov. 24, 2017; 1 pg.; [https://www.google.com/search?hl=en&biw=1536&bih=813&tbs=cdr%3A1%2Ccd\\_max%3A11%2F24%2F2017&tbm=isch&sa=1&ei=ArjBXNa9DuO8ggek\\_6LYBg&q=three+button++panel&oq=three+button++panel&gs\\_1=img.12...6610.7726..8988...0.0..0.52.263.6.....0....1..gws-w#imgrc=PHBA](https://www.google.com/search?hl=en&biw=1536&bih=813&tbs=cdr%3A1%2Ccd_max%3A11%2F24%2F2017&tbm=isch&sa=1&ei=ArjBXNa9DuO8ggek_6LYBg&q=three+button++panel&oq=three+button++panel&gs_1=img.12...6610.7726..8988...0.0..0.52.263.6.....0....1..gws-w#imgrc=PHBA).\*

Google image , Blackmagic DaVinci Control Panel, prior to Nov. 24, 2017; 1 pg.; [https://www.google.com/search?hl=en&biw=1536&bih=813&tbs=cdr%3A1%2Ccd\\_max%3A11%2F24%2F2017&tbm=isch&sa=1&ei=4sfBXIntKoHH\\_Qb10Y\\_gBA&q=three+button+desk+panel&oq=three+button+desk+panel&gs\\_1=img.3...6096907.6102635..6104714...1.0..0](https://www.google.com/search?hl=en&biw=1536&bih=813&tbs=cdr%3A1%2Ccd_max%3A11%2F24%2F2017&tbm=isch&sa=1&ei=4sfBXIntKoHH_Qb10Y_gBA&q=three+button+desk+panel&oq=three+button+desk+panel&gs_1=img.3...6096907.6102635..6104714...1.0..0).\*

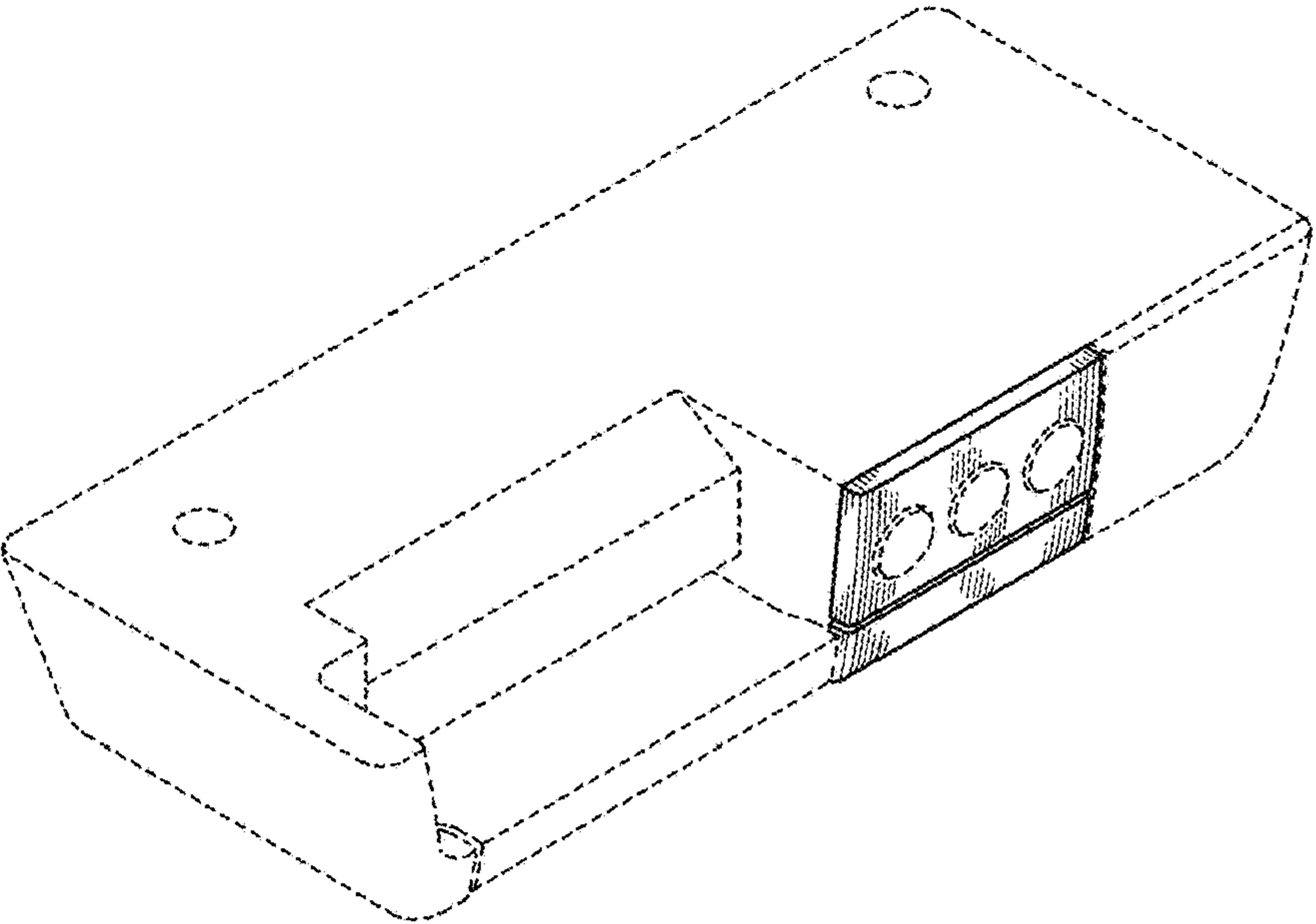
Google image, Height Adjustable Desk Control, Nov. 24, 2017, 1pg.; [https://www.google.com/search?q=switch+for+adjustable++desk&hl=en&biw=1536&bih=813&source=Int&tbs=cdr%3A1%2Ccd\\_min%3A%2Ccd\\_max%3A11%2F24%2F2017&tbm=isch#imgrc=asHm7b4-AtlxwM:&spf=1556213722802](https://www.google.com/search?q=switch+for+adjustable++desk&hl=en&biw=1536&bih=813&source=Int&tbs=cdr%3A1%2Ccd_min%3A%2Ccd_max%3A11%2F24%2F2017&tbm=isch#imgrc=asHm7b4-AtlxwM:&spf=1556213722802).\*

U.S. Appl. No. 29/634,708, filed Jan. 24, 2018, Takayuki Yamamoto.  
U.S. Appl. No. 29/634,705, filed Jan. 24, 2018, Takayuki Yamamoto.  
U.S. Appl. No. 29/634,721, filed Jan. 24, 2018, Takayuki Yamamoto.

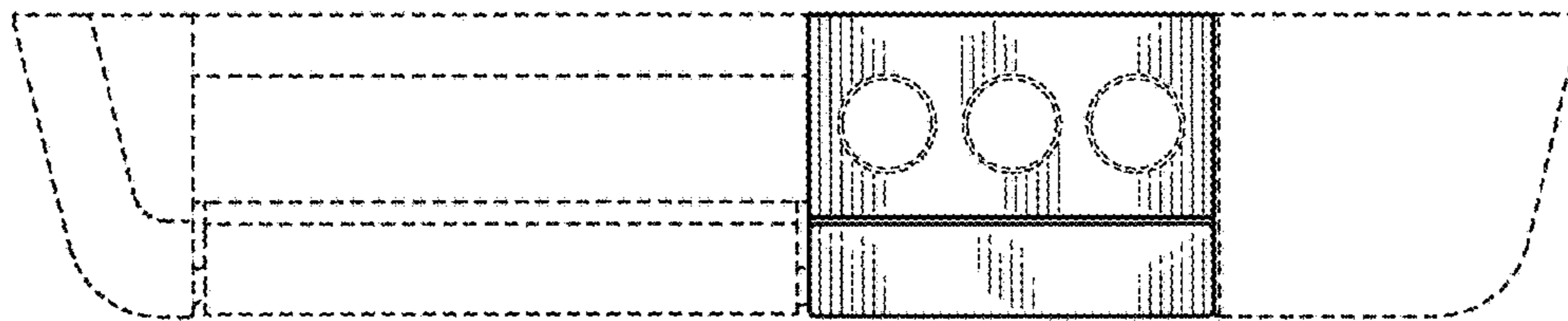
\* cited by examiner



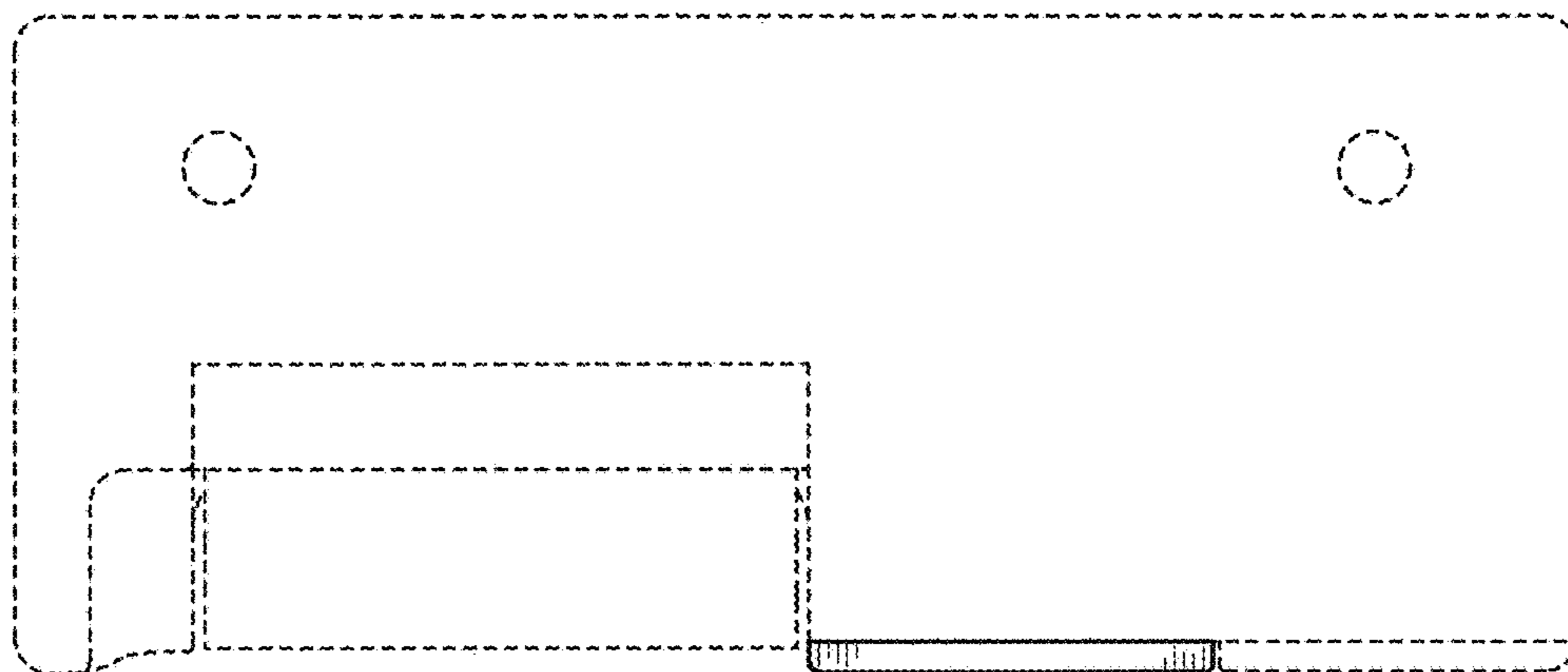
*Fig. 1*



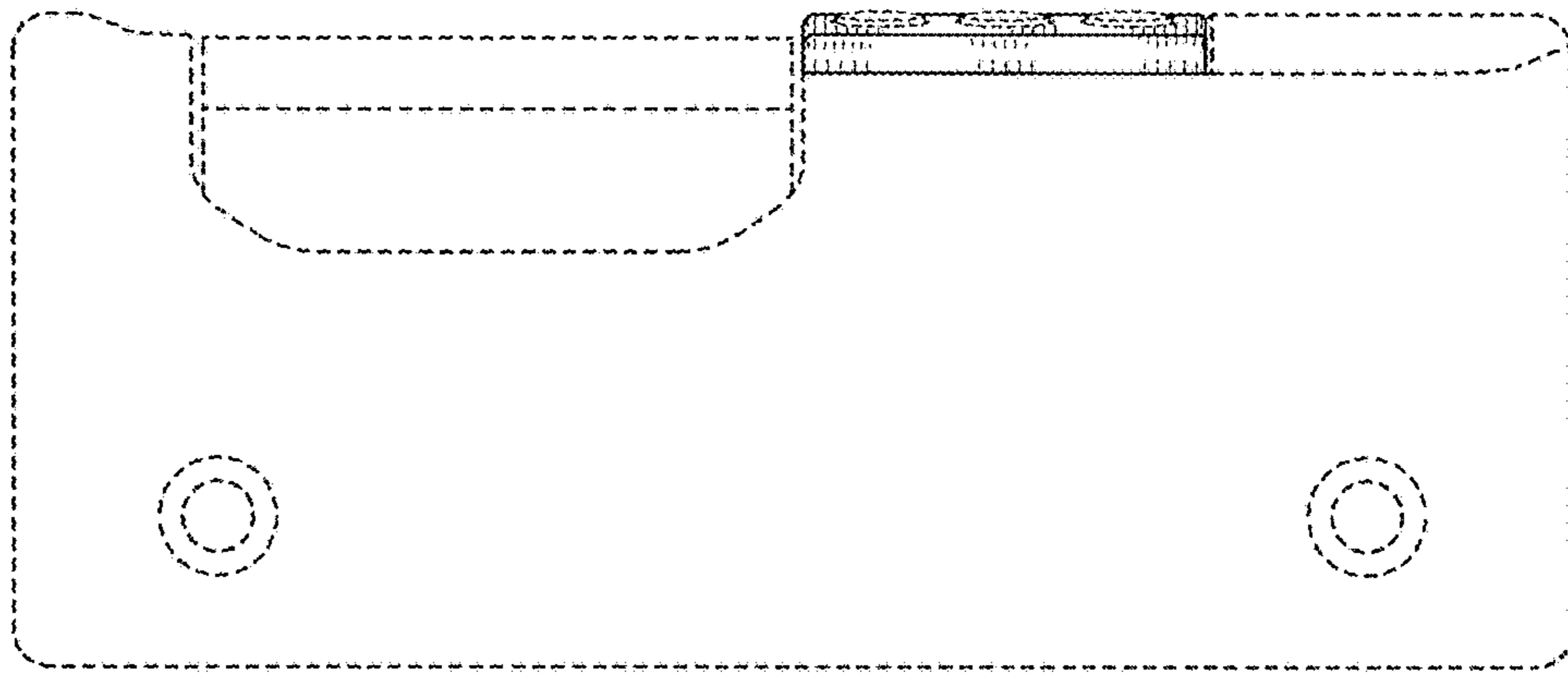
*Fig. 2*



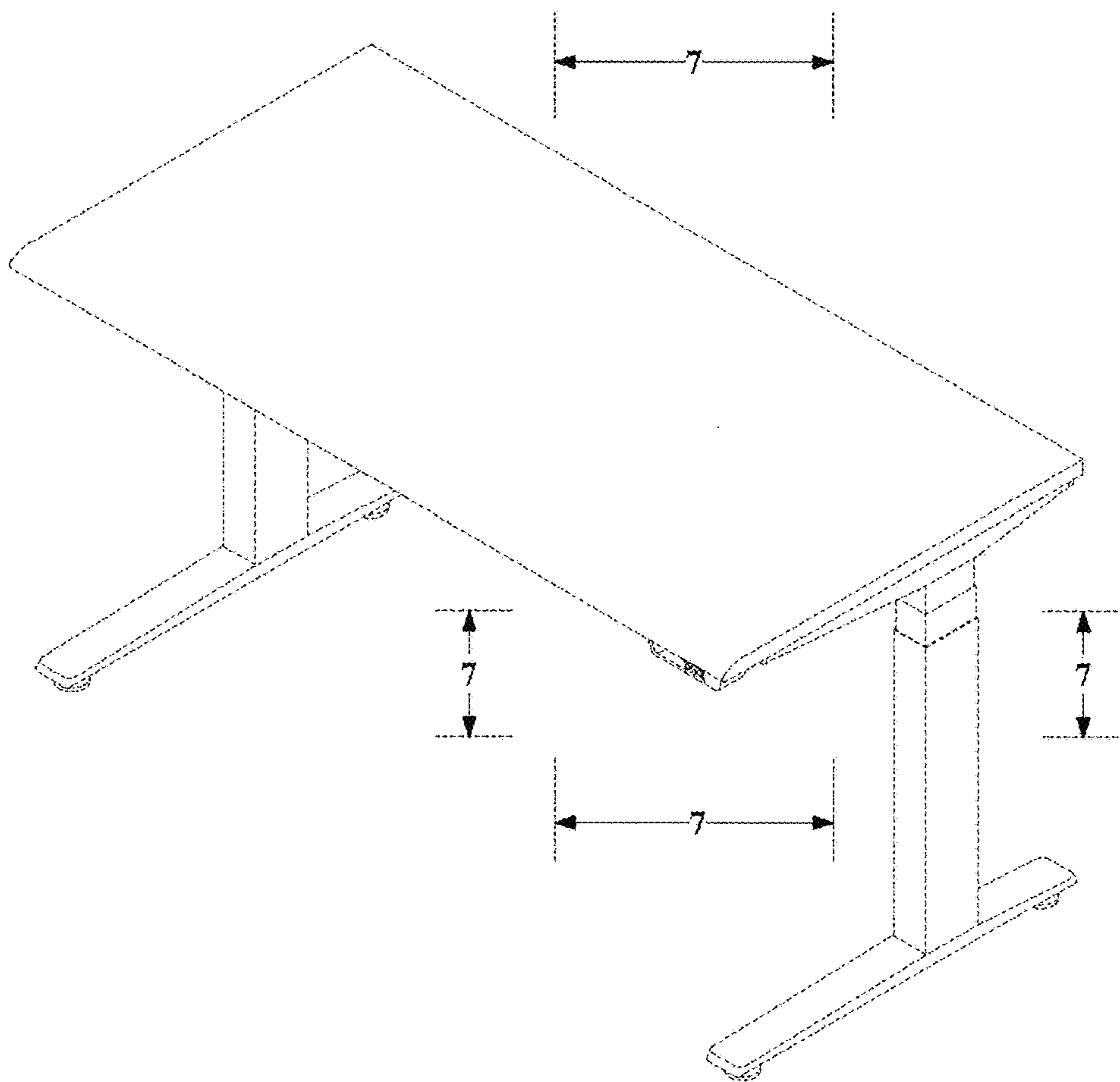
*Fig. 3*



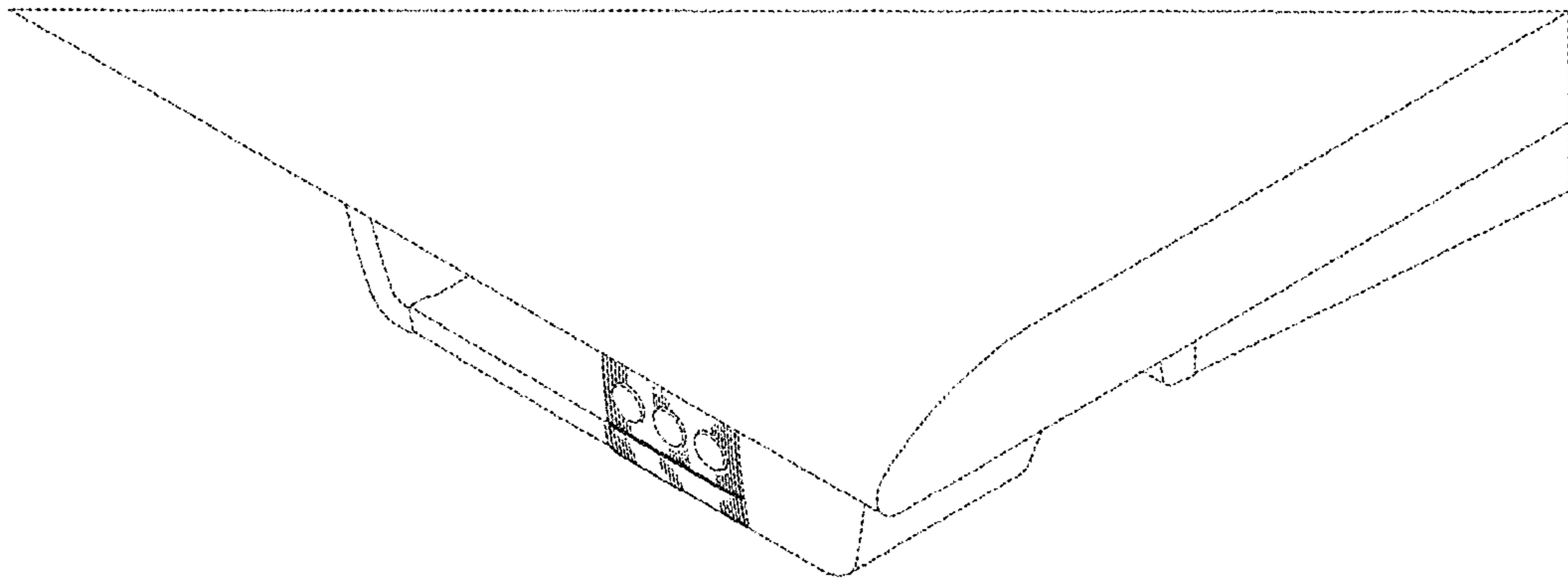
*Fig. 4*



*Fig. 5*



*Fig. 6*



*Fig. 7*