

US00D859329S

(12) **United States Design Patent**
Yamamoto

(10) **Patent No.:** **US D859,329 S**

(45) **Date of Patent:** **** Sep. 10, 2019**

(54) **SWITCH FOR ELEVATING DESK TOP PLATE**

(71) Applicant: **Okamura Corporation**, Kanagawa (JP)

(72) Inventor: **Takayuki Yamamoto**, Tokyo (JP)

(73) Assignee: **OKAMURA CORPORATION**, Kanagawa (JP)

(**) Term: **15 Years**

(21) Appl. No.: **29/634,705**

(22) Filed: **Jan. 24, 2018**

(30) **Foreign Application Priority Data**

Jul. 27, 2017 (JP) 2017-016255

(51) **LOC (12) Cl.** **13-03**

(52) **U.S. Cl.**
USPC **D13/177**

(58) **Field of Classification Search**
USPC D14/305; D13/139.4, 155, 156, 162, D13/164, 171, 173, 177; D6/704, 705, D6/705.1, 705.2, 705.5
CPC .. H01H 3/00; H01H 3/02; H01H 3/04; H01H 3/06; H01H 9/02; H01H 13/02; H01H 13/04; H01H 13/10; H01H 13/86; H01H 21/22; H01H 21/24; A47C 1/0345; A47C 1/035; A47B 21/02; A47B 9/00; A61G 13/02; A61G 7/018; G05B 15/02
See application file for complete search history.

(56) **References Cited**

U.S. PATENT DOCUMENTS

4,440,096 A * 4/1984 Rice A47B 9/04 108/147
D305,018 S * 12/1989 Pena D13/164
D305,019 S * 12/1989 Pena D13/171
D310,202 S * 8/1990 Suck D13/164
D315,527 S * 3/1991 Kulikowski D10/108

5,120,117 A * 6/1992 Williams A47B 21/0314 108/25
D335,283 S * 5/1993 Justiniano D13/171
D336,895 S * 6/1993 Rogov D13/177
5,452,950 A * 9/1995 Crenshaw A47B 39/00 248/918

(Continued)

OTHER PUBLICATIONS

Google image; Jarvis Bamboo Standing Desk; prior to Jan. 24, 2018-; 1 pg.; https://www.google.com/search?q=height+adjustable+desk++control&hl=en&biw=1536&bih=813&source=Int&tbs=cd:r%3A1%2Ccd_min%3A%2Ccd_max%3A1%2F24%2F2018&tbm=isch#imgcr=0RziQLjYsFQ60M:&spf=1555938362075.*

(Continued)

Primary Examiner — Selina Sikder

(74) *Attorney, Agent, or Firm* — IPUSA, PLLC

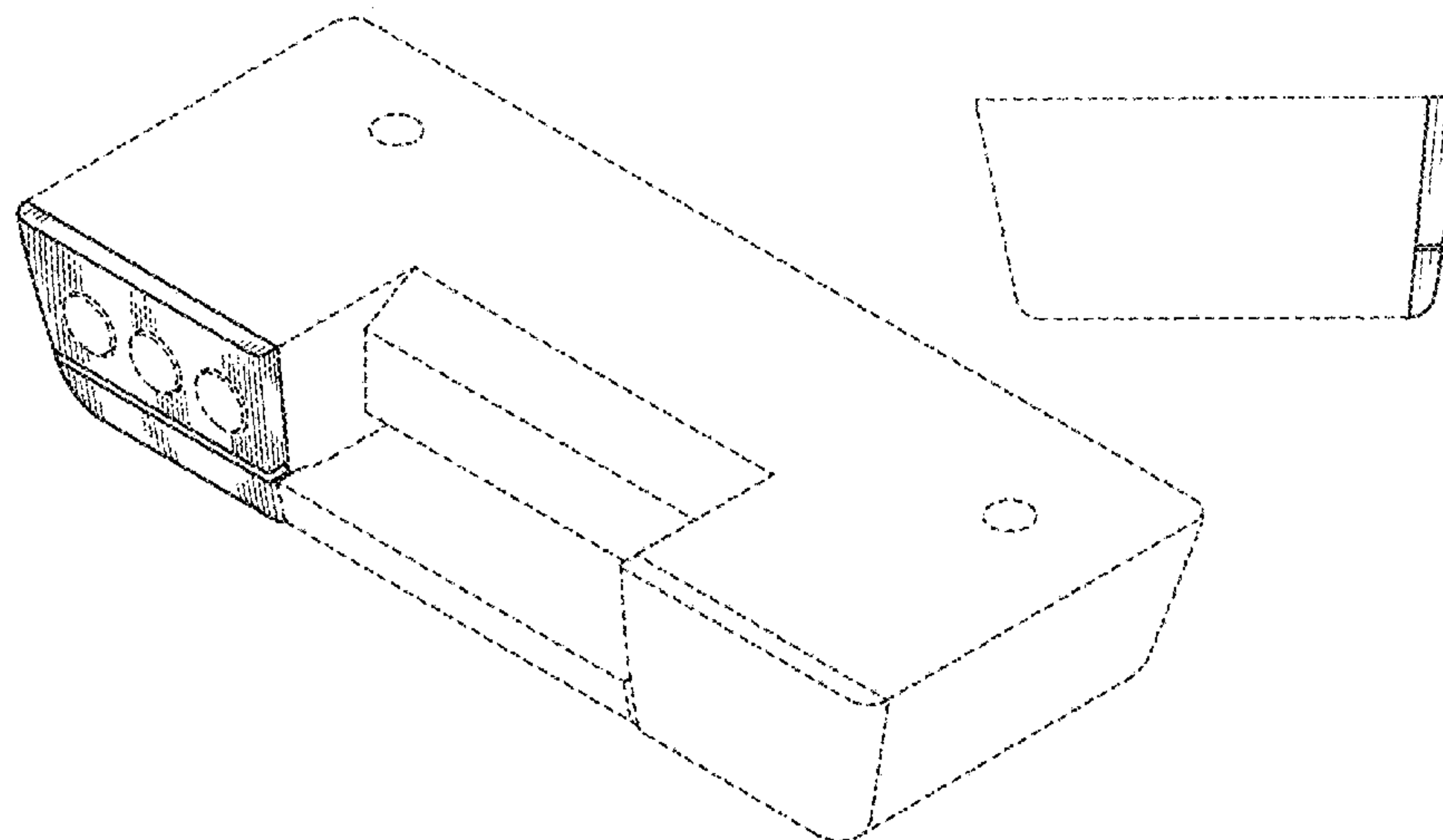
(57) **CLAIM**

The ornamental design for a switch for elevating desk top plate, as shown and described.

DESCRIPTION

FIG. 1 is a front, top, and right side perspective view of a switch for elevating desk top plate, showing our new design; FIG. 2 is a front, top, and left side perspective view thereof; FIG. 3 is a front view thereof; FIG. 4 is a top plan view thereof; FIG. 5 is a bottom plan view thereof; FIG. 6 is a left side view thereof; FIG. 7 is a perspective view thereof, shown in a state of use; and, FIG. 8 is an enlarged portion view thereof, illustrating the region indicated by 8 in FIG. 7. The broken lines shown in the drawings represent portions of the switch for elevating desk top plate that form no part of the claimed design. All sides not shown form no part of the claimed design.

1 Claim, 5 Drawing Sheets



(56)

References Cited

U.S. PATENT DOCUMENTS

D442,561 S * 5/2001 Camarota D13/162
 6,595,144 B1 * 7/2003 Doyle A47B 9/00
 108/147
 D533,846 S * 12/2006 Burton D13/171
 D562,779 S * 2/2008 Lamoree D13/171
 7,381,913 B2 * 6/2008 Sjostrom H01H 13/48
 200/5 A
 D584,244 S * 1/2009 Ohlert D13/171
 D820,221 S * 6/2018 Yang D13/164
 10,028,576 B1 * 7/2018 Yao A47B 21/02
 D825,493 S * 8/2018 Chen D13/164
 D833,981 S * 11/2018 Seal D13/162
 2008/0245279 A1 * 10/2008 Pan A47B 9/00
 108/144.11
 2013/0199419 A1 * 8/2013 Hjelm A47B 9/00
 108/20
 2015/0246404 A1 * 9/2015 Teraoka B23K 3/08
 219/129

OTHER PUBLICATIONS

Google image; Edesk Hand Conotrol Panel, prior to Jan. 24, 2018;1
 pg.; https://www.google.com/search?q=height+adjustable+desk++control&hl=en&biw=1536&bih=813&source=Int&tbs=cdr%3A1%2Ccd_min%3A%2Ccd_max%3A1%2F24%2F2018&tbm=isch#imgcr=zG6Oqr1Z6awXMM:&spf=1555938362075.*

Google image; iMovR Vigor Electric Control, prior to Jan. 24, 2018;
 1 pg.; https://www.google.com/search?q=height+adjustable+switch&hl=en&biw=1536&bih=813&source=Int&tbs=cdr%3A1%2Ccd_min%3A%2Ccd_max%3A1%2F24%2F2018&tbm=isch#imgdii=nDK7BAG0a2NM4M:&imgcr=IxDIQwXaQsitQM:&spf=1555965626868.*

Google image, UPLIFT V2 Curved Corner Keypad, prior to Jan. 24,
 2018, 1pg.; https://www.google.com/search?hl=en&biw=1536&bih=813&tbs=cdr%3A1%2Ccd_max%3A1%2F24%2F2018&tbm=isch&sa=1&ei=iSe-XPncFqqxggfD_42YDA&q=UPLIFT+V2+Curved+Corner+Keypad&oq=UPLIFT+V2+Curved+Corner+Keypad&gs_I=img.12...92381.92381..93438...0.0.*

Google image, KAHL Commercial Interiors; prior to Jan. 24, 2018,
 1pg.; https://www.google.com/search?hl=en&biw=1536&bih=813&tbs=cdr%3A1%2Ccd_max%3A1%2F24%2F2018&tbm=isch&sa=1&ei=hSm-XLK1HuGZ_QbhzLn4Bw&q=+Switch-+Height+Adjustable+Desk&oq=+Switch-+Height+Adjustable+Desk&gs_I=img.12...3799.7474..9884...0.0.*

Google image MedicalExpo Electric massage table; date unknown;
 1 pg.; https://www.google.com/search?q=height+adjustable+switch&hl=en&tbm=isch&tbs=rimg:CUFf6guahSdnljgxwiLvEnRSRNVpyDEddlttEm69U_16SCY986wUJfIDFbPHv6s7sVwle2Wtm8mNEh03b6HweQhCWNioSCTHC1u8SdFJEEsP_19QUkT7wkKhlJ1WnIMR12W20R5xRIORHVK0oqEgkSbr1T_1p.*

U.S. Appl. No. 29/634,708, filed Jan. 24, 2018, Takayuki Yamamoto.
 U.S. Appl. No. 29/634,711, filed Jan. 24, 2018, Takayuki Yamamoto.
 U.S. Appl. No. 29/634,721, filed Jan. 24, 2018, Takayuki Yamamoto.

* cited by examiner

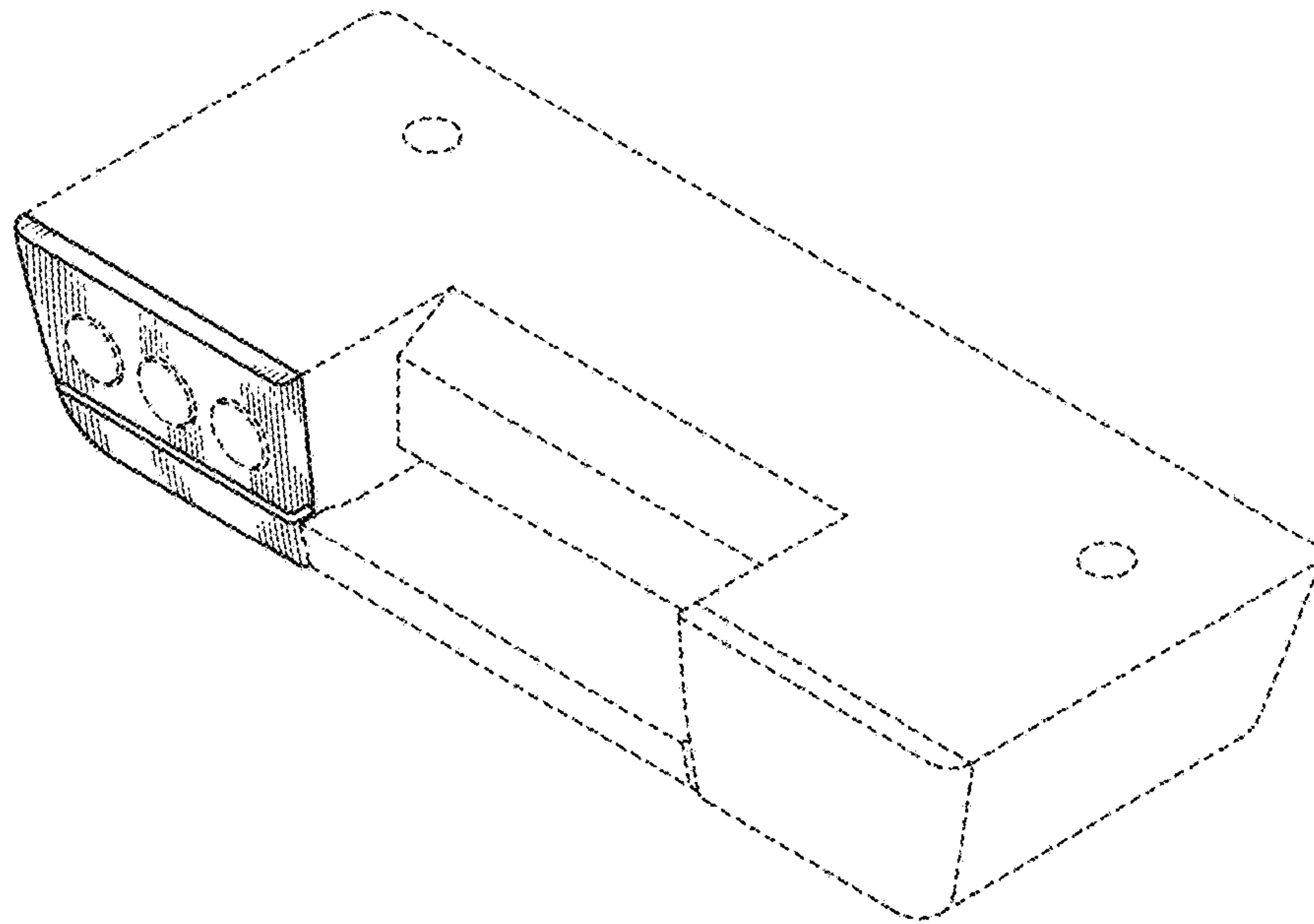


Fig. 1

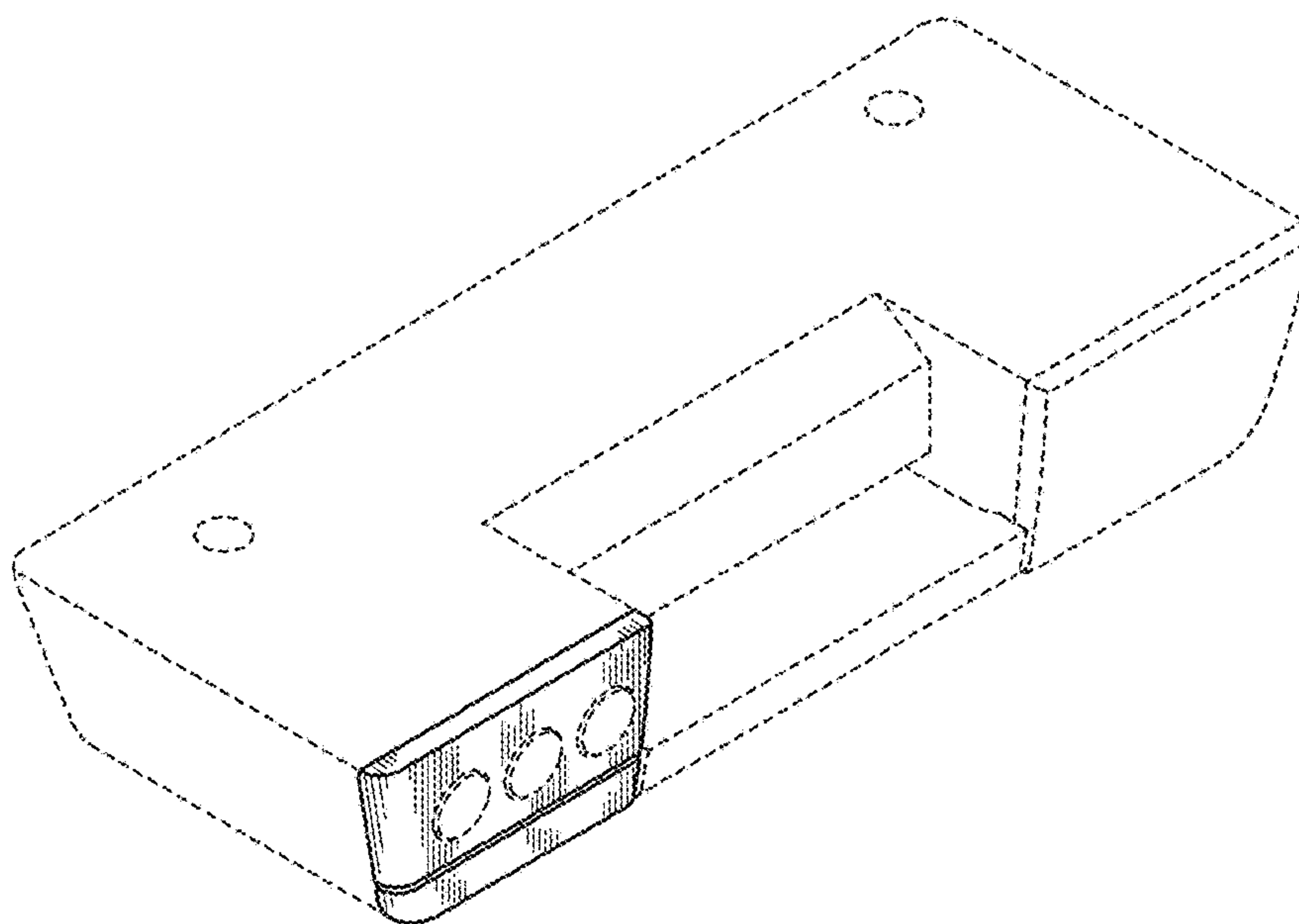


Fig. 2

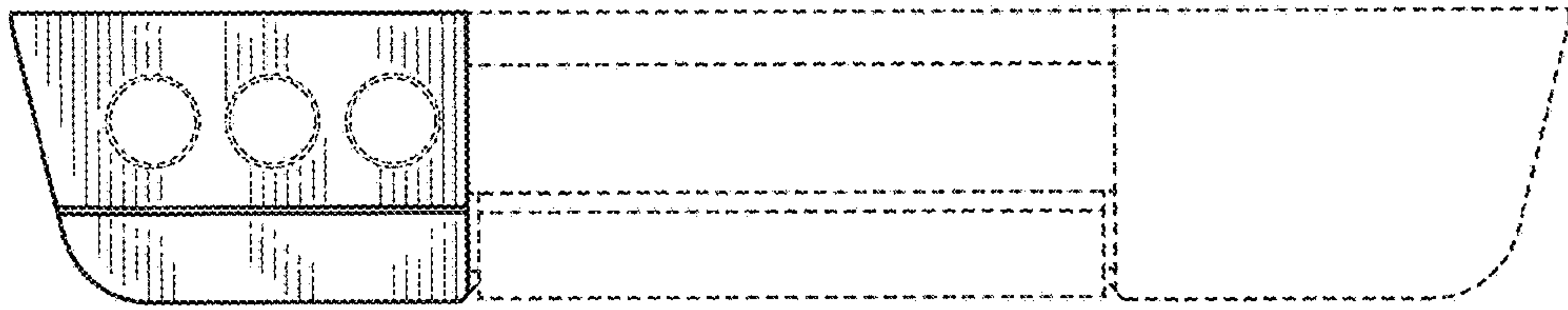


Fig. 3

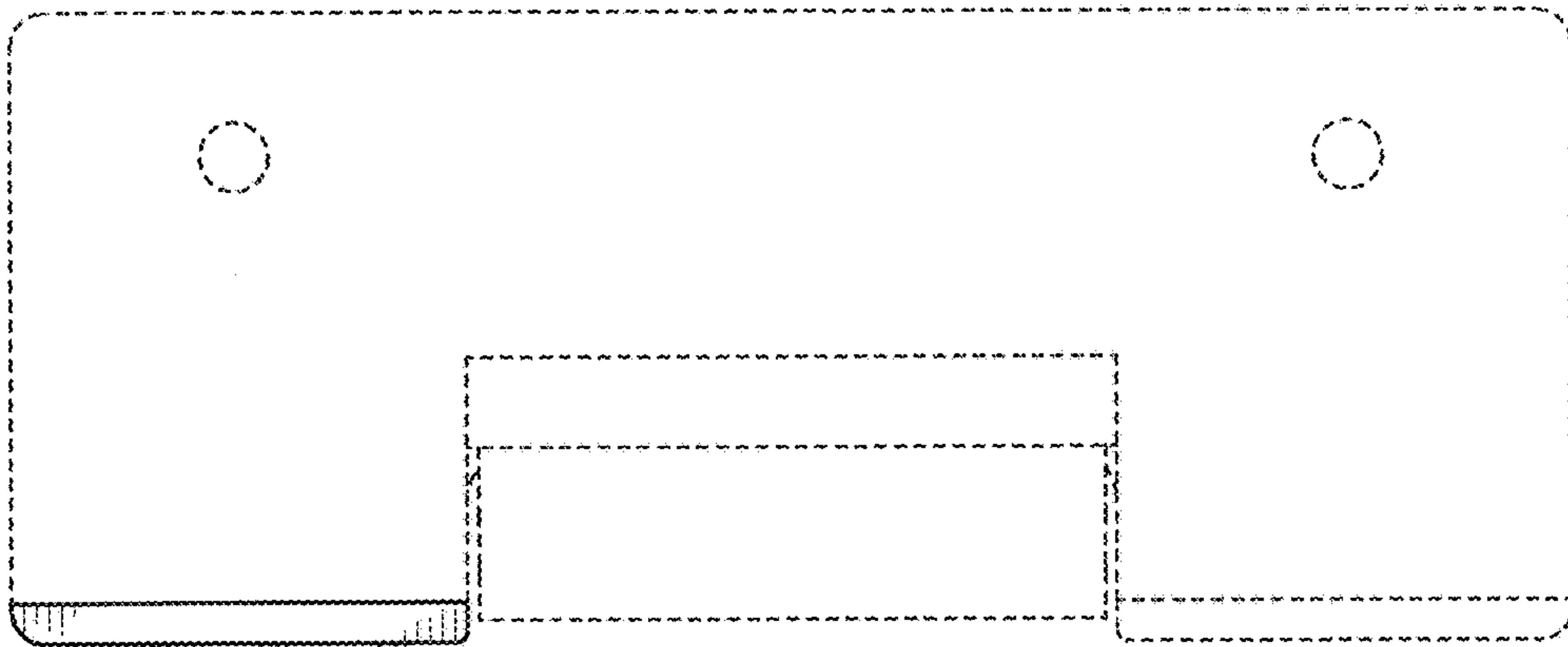


Fig. 4

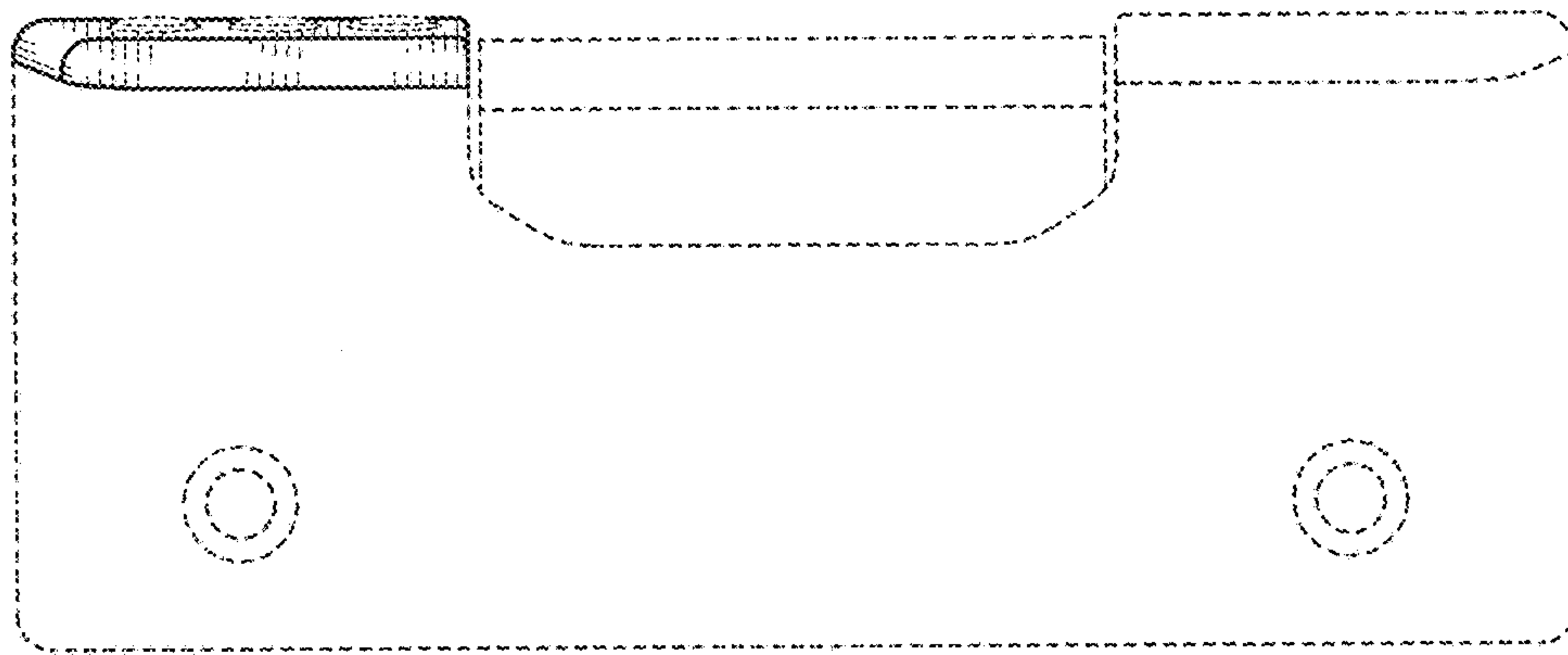


Fig. 5

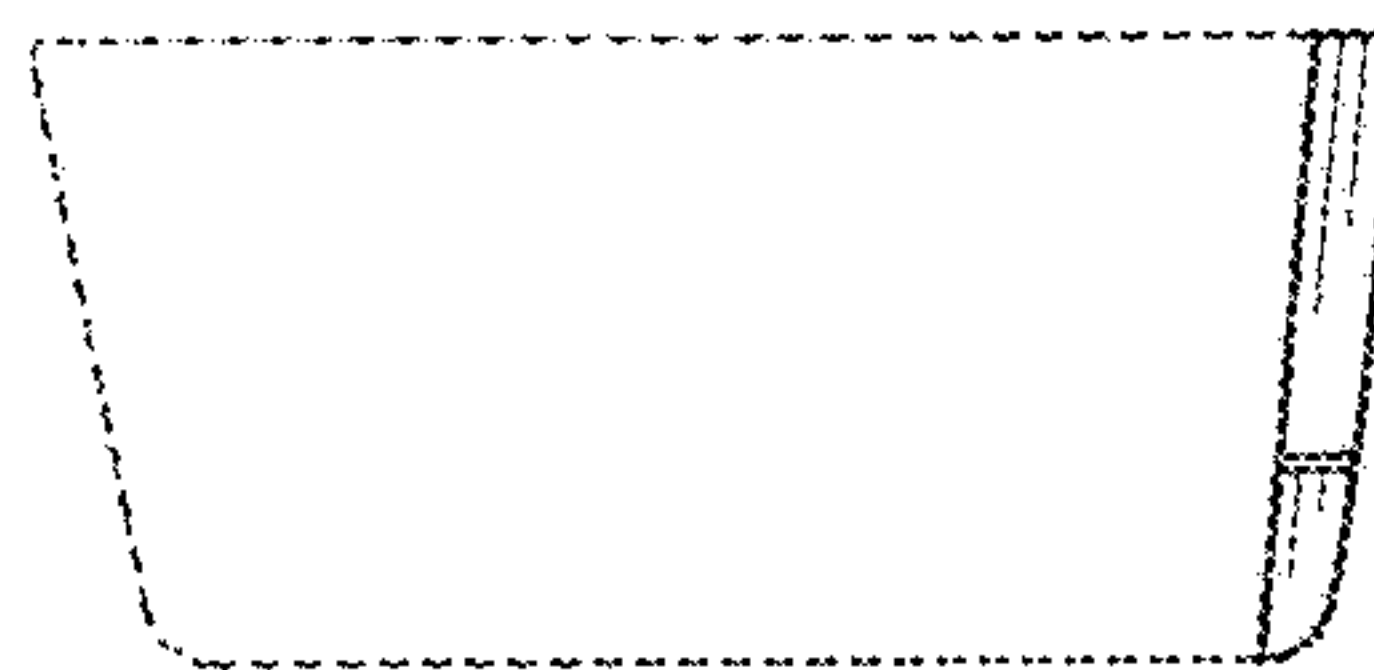


Fig. 6

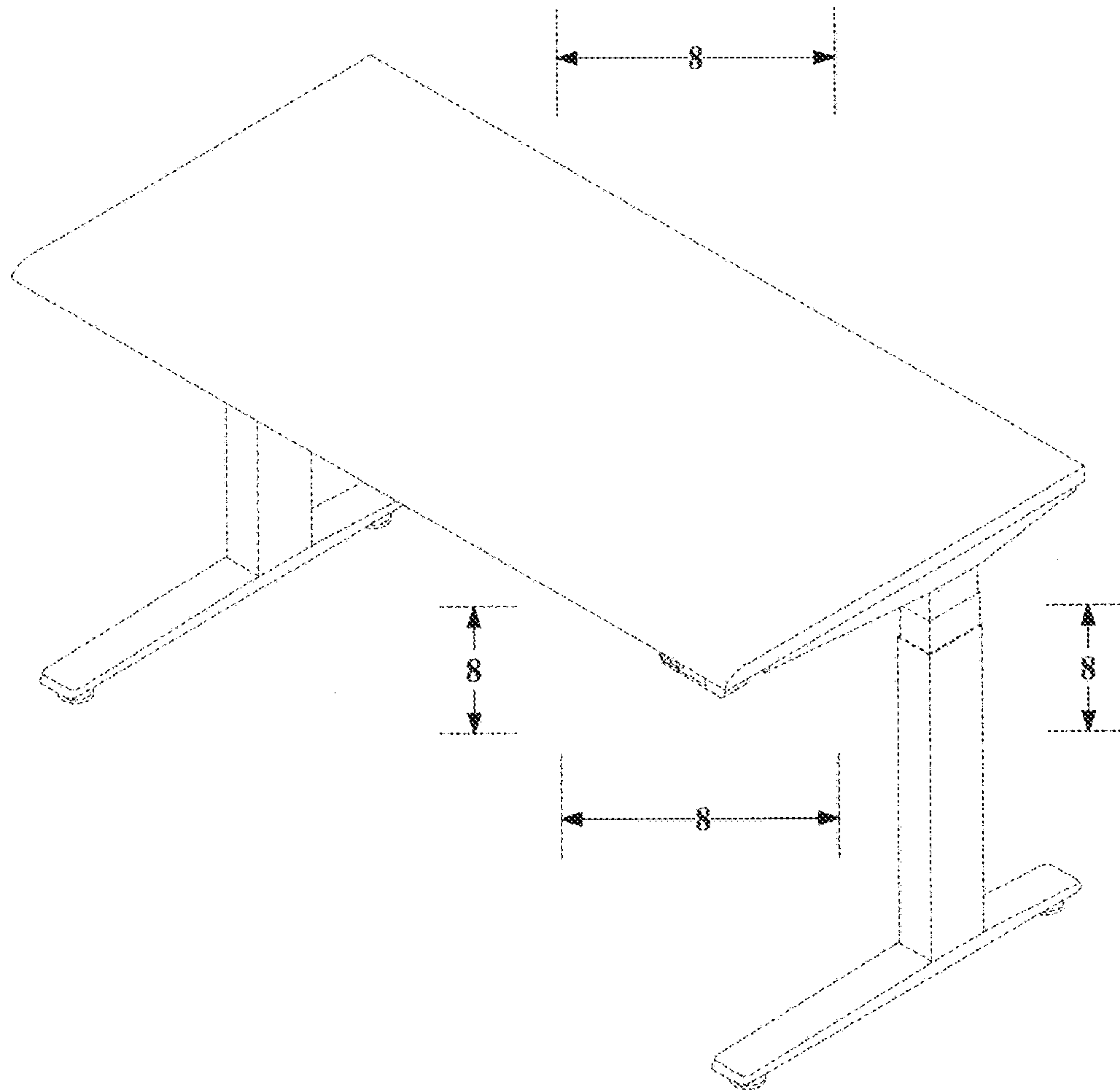


Fig. 7

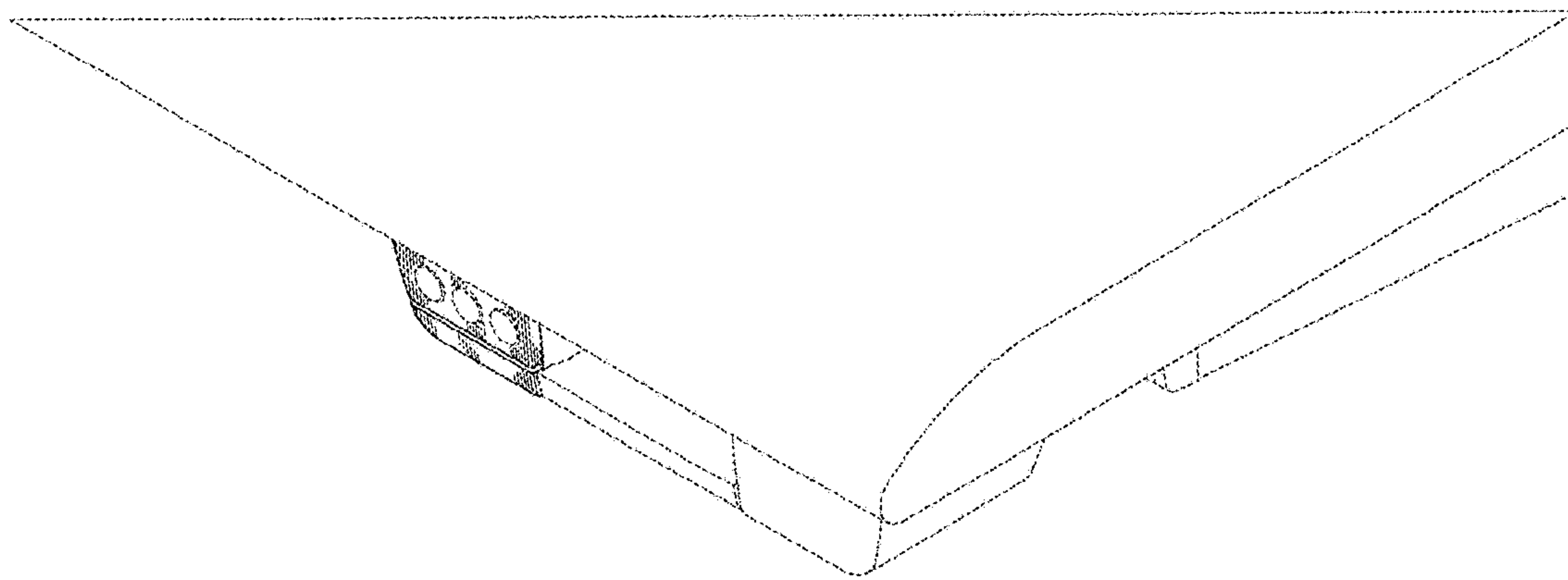


Fig. 8