



US00D859324S

(12) **United States Design Patent**  
**Burkell et al.**

(10) **Patent No.:** **US D859,324 S**

(45) **Date of Patent:** **\*\* Sep. 10, 2019**

(54) **SYSTEM CONTROLLER ENCLOSURE**

(71) Applicant: **General Electric Company**,  
Schenectady, NY (US)

(72) Inventors: **Neil William Burkell**, Lawrence Park,  
PA (US); **Wing Yeung Chung**, Erie, PA  
(US); **Neil Patrick Bradley**, Lawrence  
Park, PA (US); **Michael Kjelson**, Erie,  
PA (US); **Ronald Majewski**, Lawrence  
Park, PA (US)

(73) Assignee: **GE Global Sourcing LLC**, Norwalk,  
CT (US)

(\*\*) Term: **15 Years**

(21) Appl. No.: **29/624,860**

(22) Filed: **Nov. 3, 2017**

**Related U.S. Application Data**

(62) Division of application No. 29/570,356, filed on Jul.  
7, 2016, now Pat. No. Des. 804,432, which is a  
division of application No. 29/500,900, filed on Aug.  
29, 2014, now Pat. No. Des. 763,201.

(51) **LOC (12) Cl.** ..... **13-03**

(52) **U.S. Cl.**  
USPC ..... **D13/162**

(58) **Field of Classification Search**  
USPC ..... D13/110, 123, 147, 162, 162.1, 164  
CPC ..... H01R 9/1465; H01R 13/514; H05K 5/00;  
H05K 5/0026; H05K 5/03; H05K 7/1462;  
H05K 7/1472

See application file for complete search history.

(56) **References Cited**

**U.S. PATENT DOCUMENTS**

D319,425 S \* 8/1991 Bibbiani ..... D13/123  
D355,887 S \* 2/1995 Rodeffer ..... D13/110

D425,483 S \* 5/2000 Bechtold ..... D13/147  
D443,586 S \* 6/2001 Sakasegawa ..... D13/123  
6,527,599 B2 \* 3/2003 Bechtold ..... H01R 13/405  
439/209  
6,634,910 B2 \* 10/2003 Lieb ..... H05K 7/1465  
439/271  
6,802,737 B2 \* 10/2004 Bergner ..... H01R 9/2658  
439/532  
D544,836 S \* 6/2007 Sichner ..... D13/123  
7,397,668 B2 \* 7/2008 Sekine ..... H05K 7/1465  
361/728  
D576,562 S \* 9/2008 Kaluza ..... D13/162

(Continued)

*Primary Examiner* — Selina Sikder

(74) *Attorney, Agent, or Firm* — McCoy Russell LLP

(57) **CLAIM**

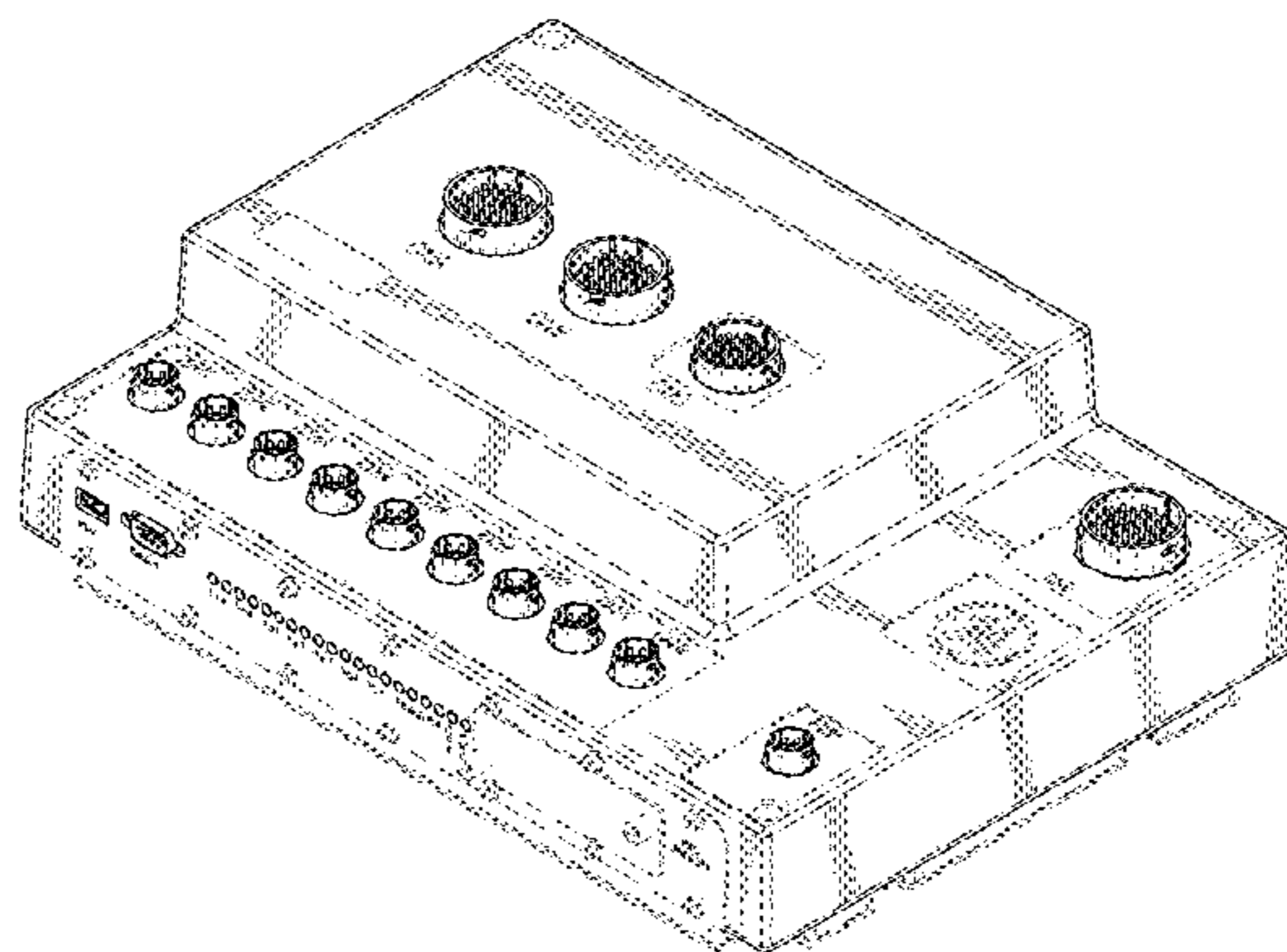
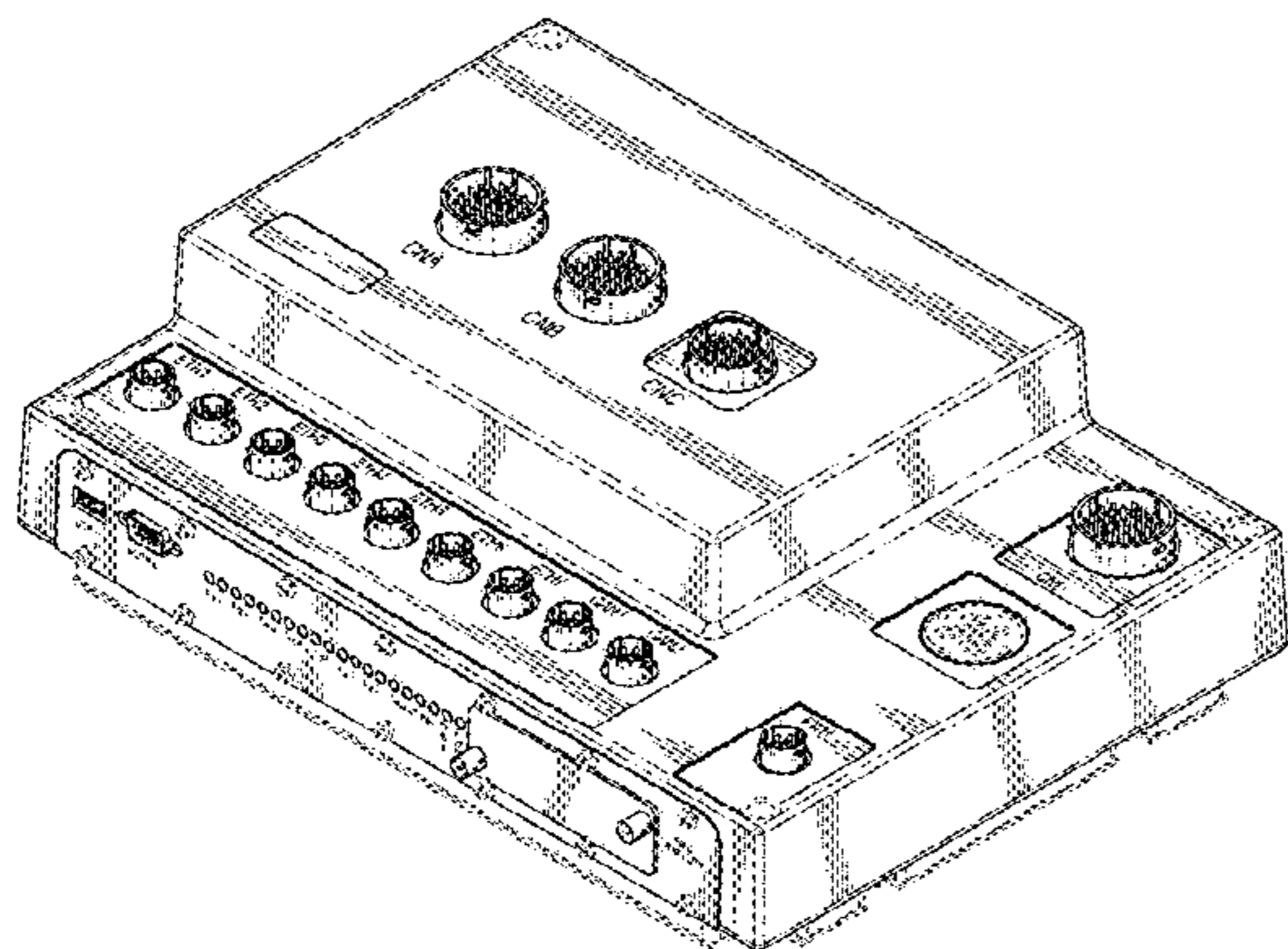
The ornamental design for a system controller enclosure, as  
shown and described.

**DESCRIPTION**

FIG. 1 is a perspective view of a system controller enclosure  
depicting a first embodiment of a new design;  
FIG. 2 is a front elevational view thereof;  
FIG. 3 is a rear elevational view thereof;  
FIG. 4 is a left side elevational view thereof;  
FIG. 5 is a right side elevational view thereof  
FIG. 6 is a top plan view thereof; and  
FIG. 7 is a bottom plan view thereof.  
FIG. 8 is a perspective view of a system controller enclosure  
depicting a second embodiment of a new design;  
FIG. 9 is a front elevational view thereof;  
FIG. 10 is a rear elevational view thereof;  
FIG. 11 is a left side elevational view thereof;  
FIG. 12 is a right side elevational view thereof;  
FIG. 13 is a top plan view thereof; and,  
FIG. 14 is a bottom plan view thereof.

The broken line portion of the figure drawings is included to  
show unclaimed subject matter only and forms no part of the  
claimed designs.

**1 Claim, 8 Drawing Sheets**



(56)

**References Cited**

U.S. PATENT DOCUMENTS

D593,962 S *	6/2009	Ross	.....	D13/123
7,619,898 B2 *	11/2009	Jensen	.....	H05K 5/0021
				361/715
8,256,456 B2 *	9/2012	De Carolis	.....	F15B 13/0857
				137/560
D688,212 S *	8/2013	Scheucher	.....	D13/158
D705,742 S *	5/2014	Schneider	.....	D13/162
D744,956 S *	12/2015	Sekine	.....	D13/147
D763,201 S *	8/2016	Burkell	.....	D13/162
D804,432 S *	12/2017	Burkell	.....	D13/162
D837,152 S *	1/2019	Wegerer	.....	D13/110

\* cited by examiner

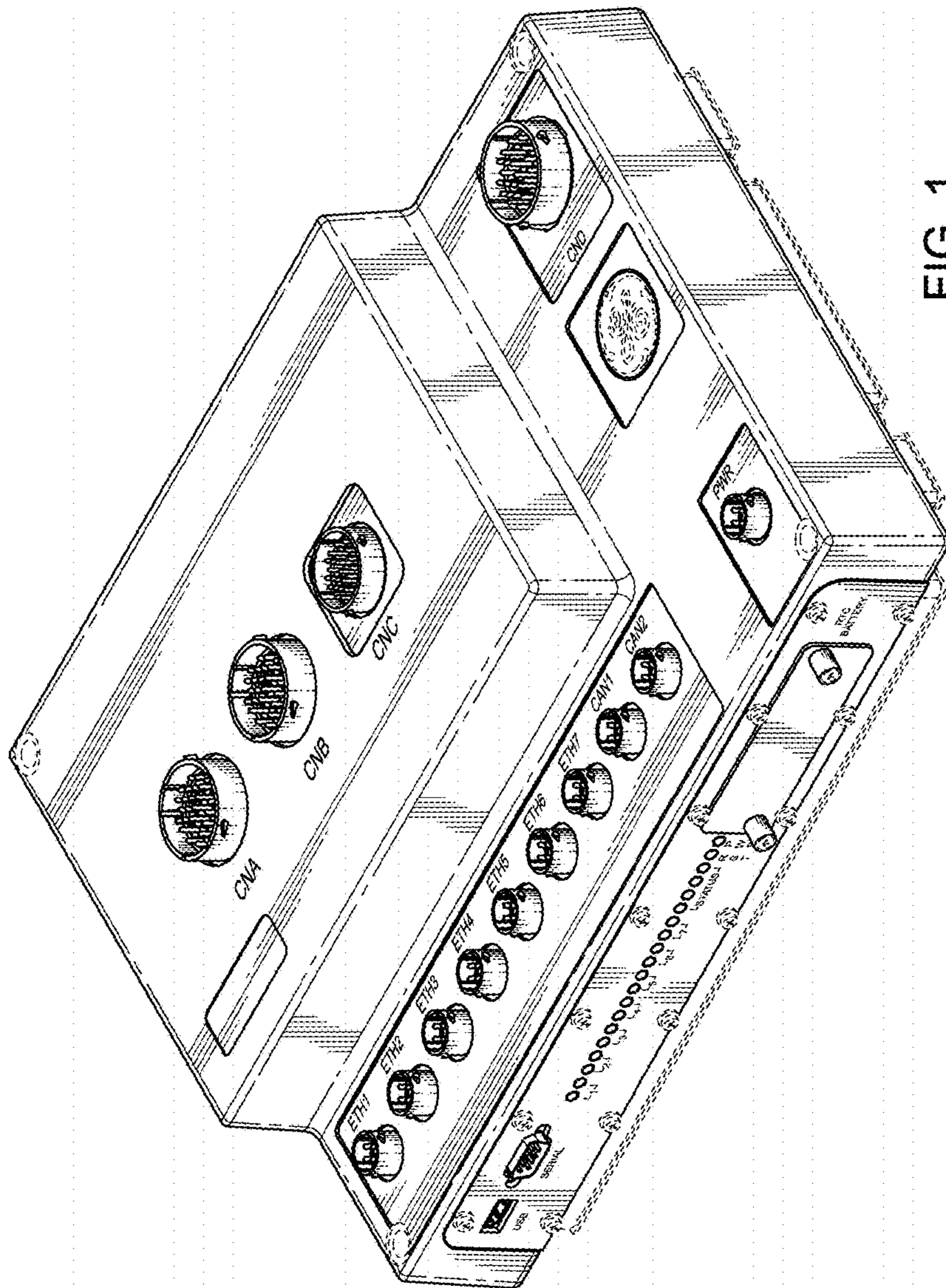


FIG. 1

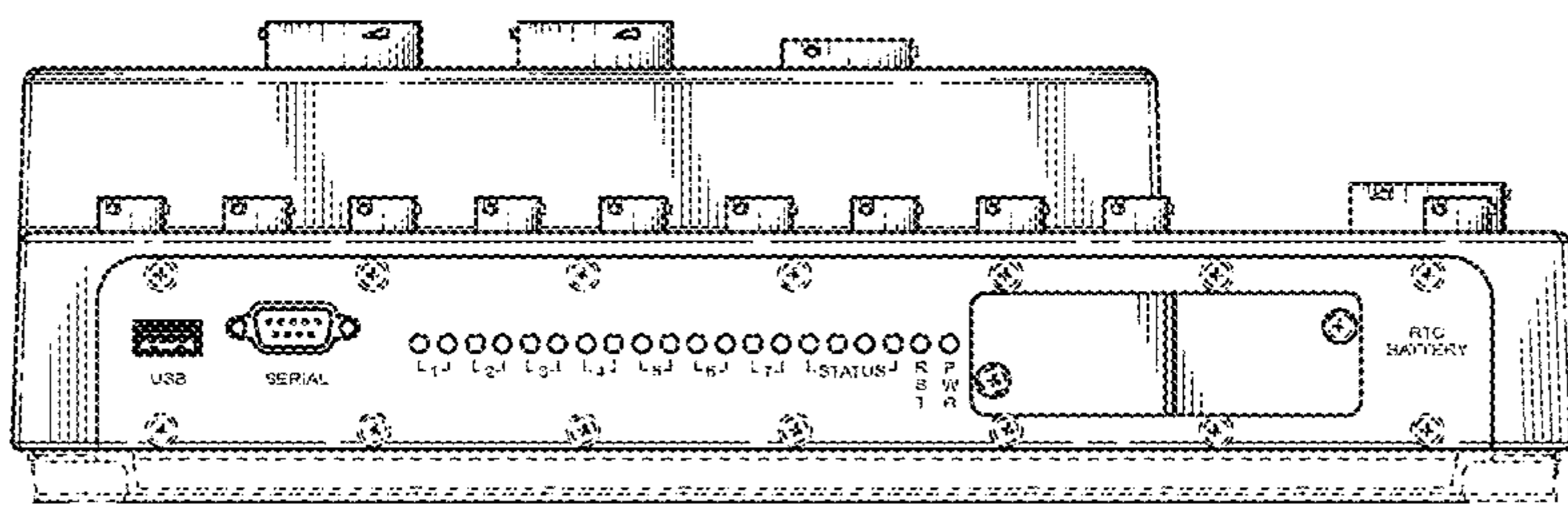


FIG. 2

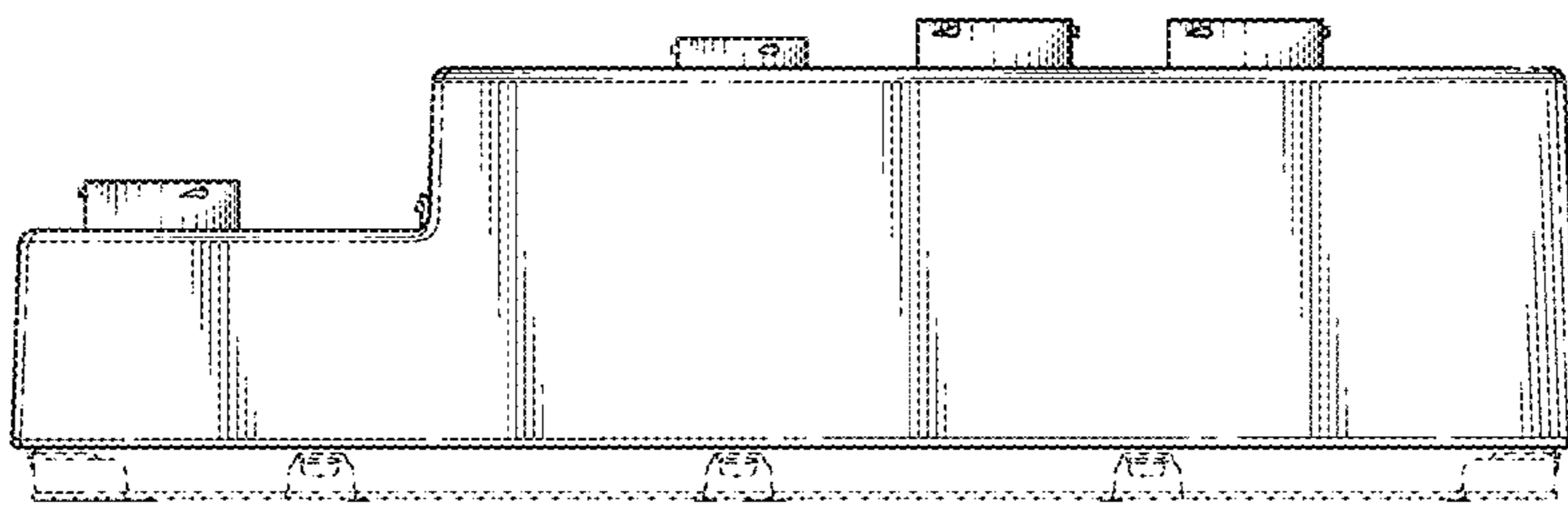


FIG. 3

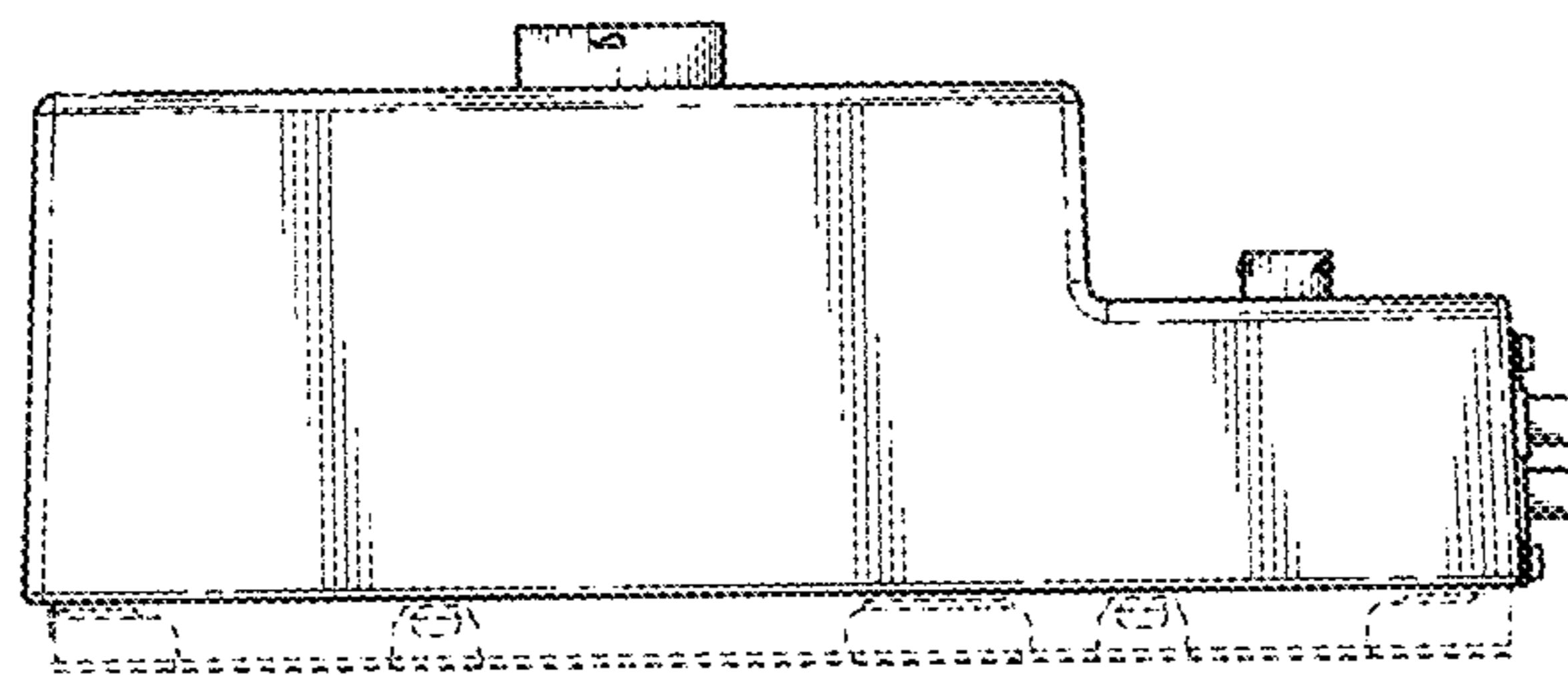


FIG. 4

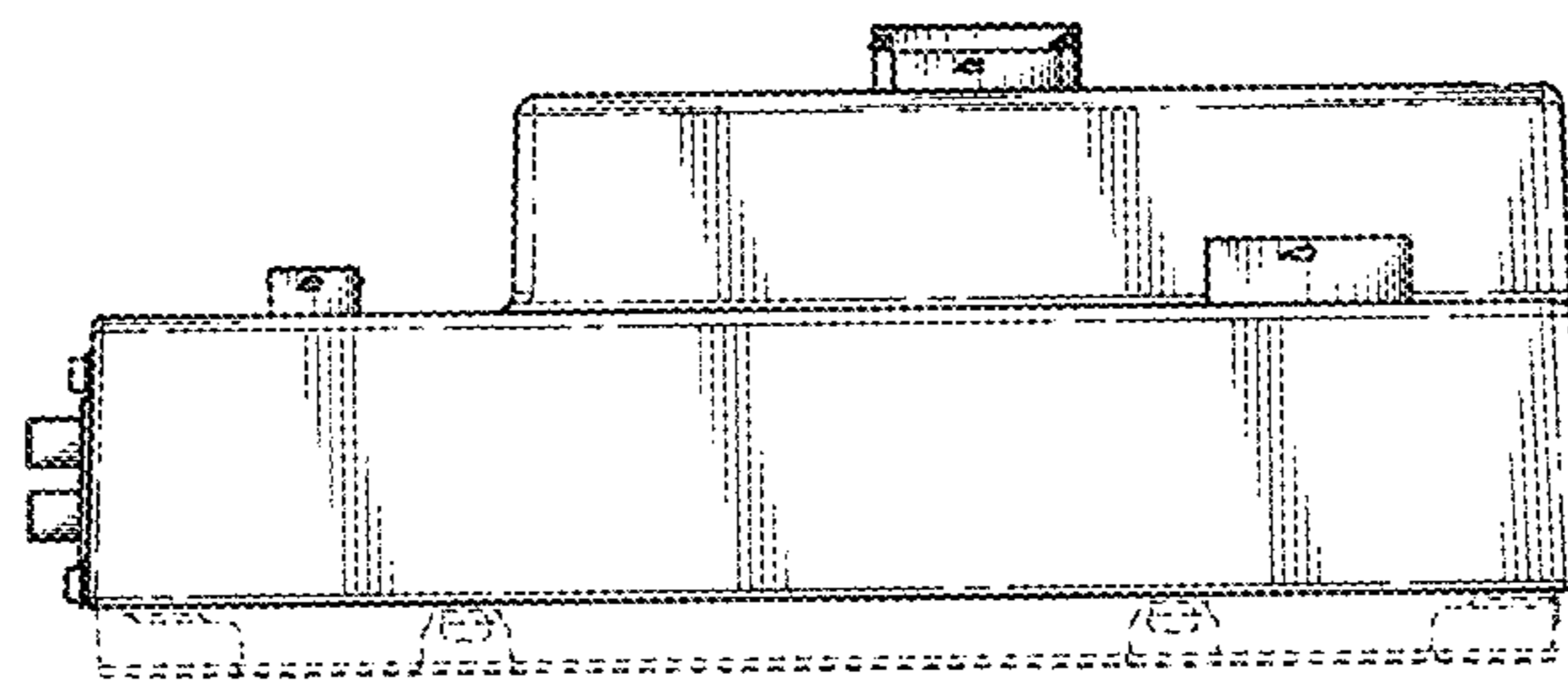


FIG. 5

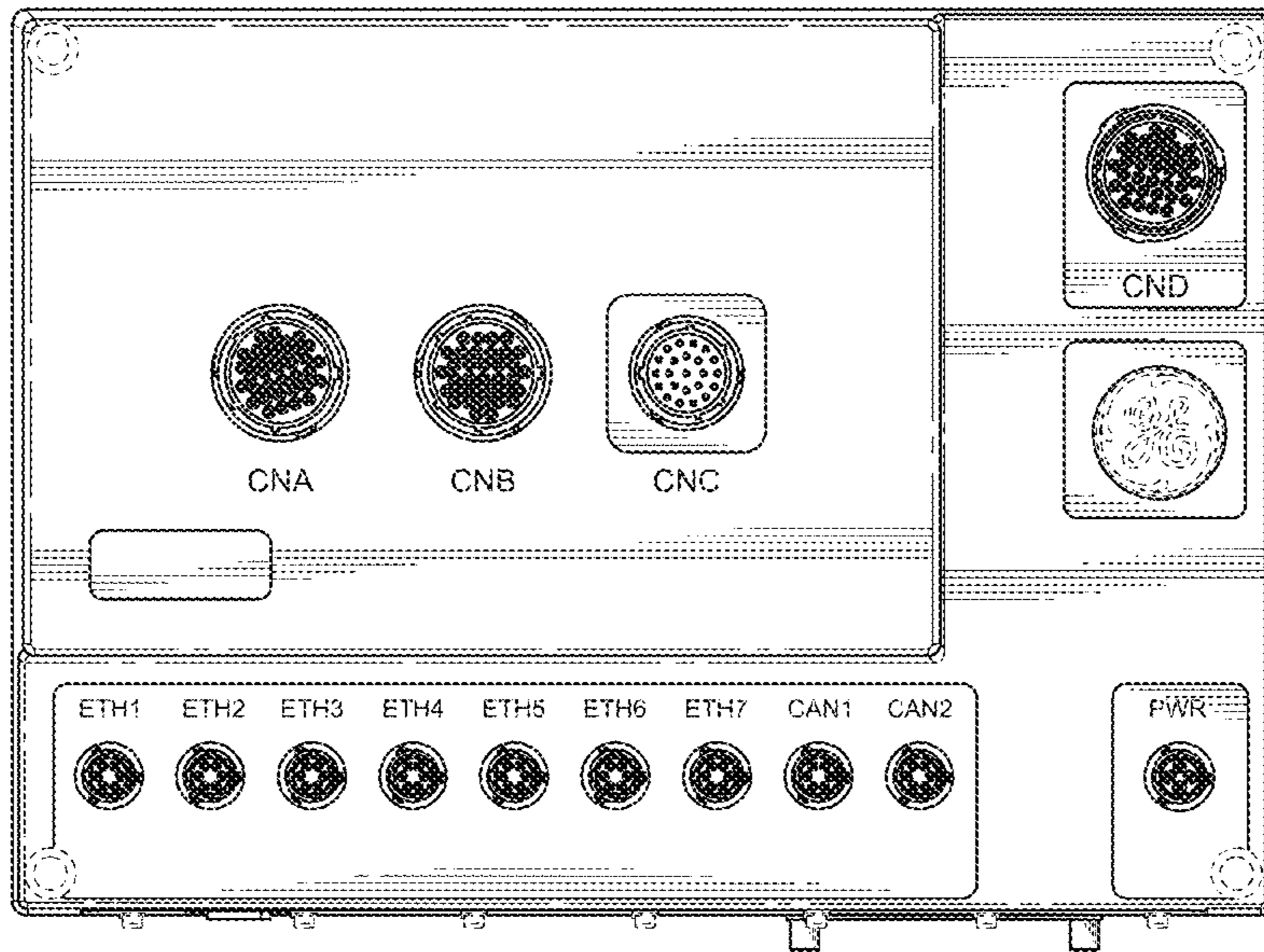


FIG. 6

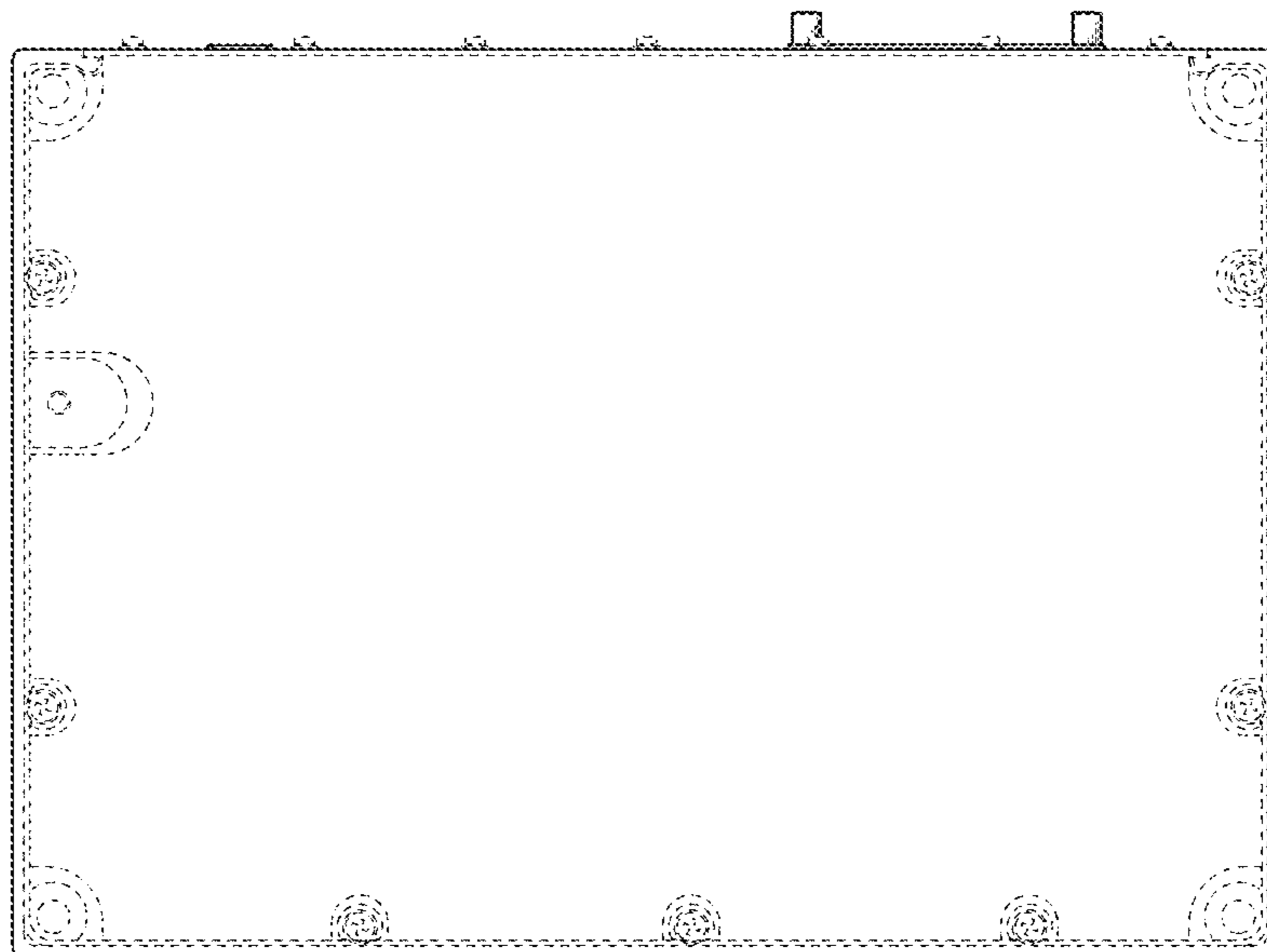


FIG. 7

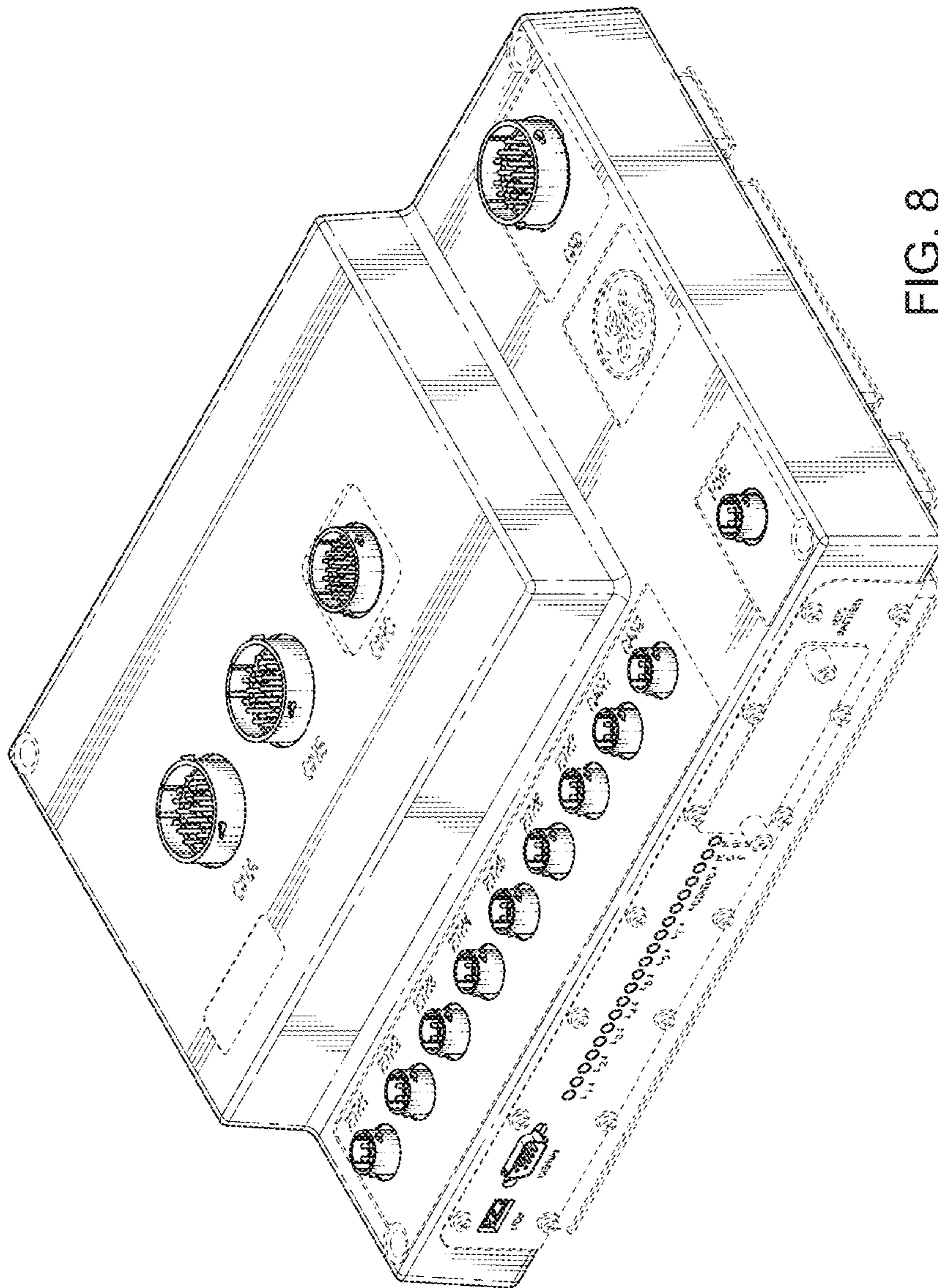


FIG. 8

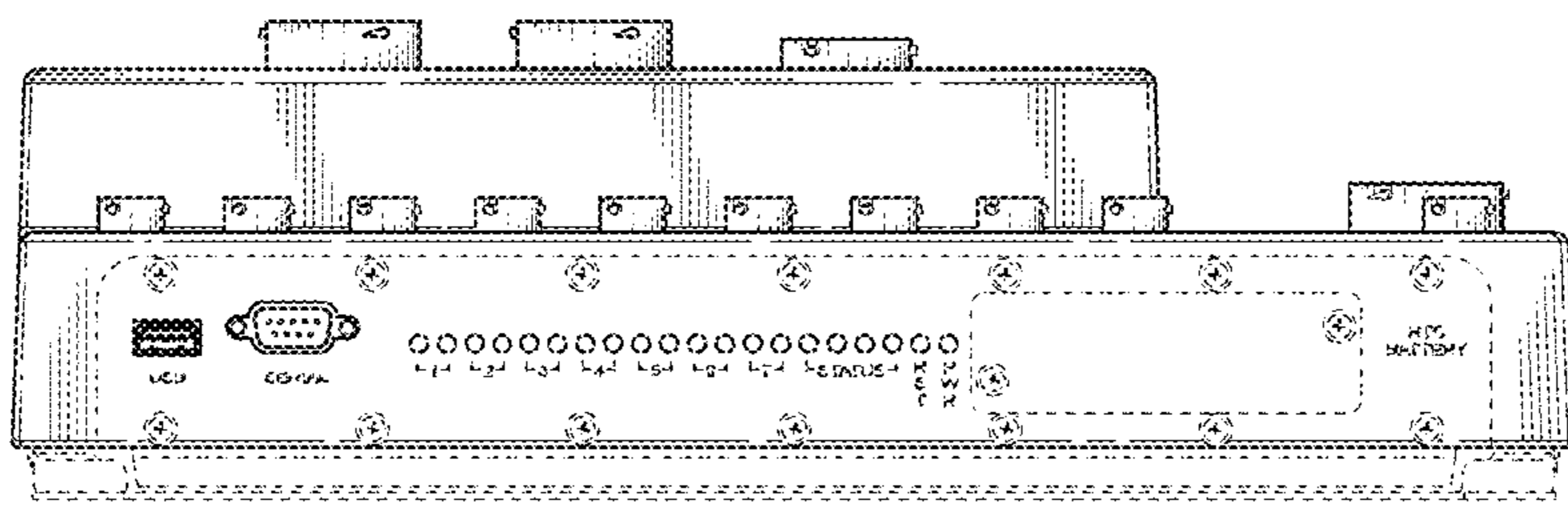


FIG. 9

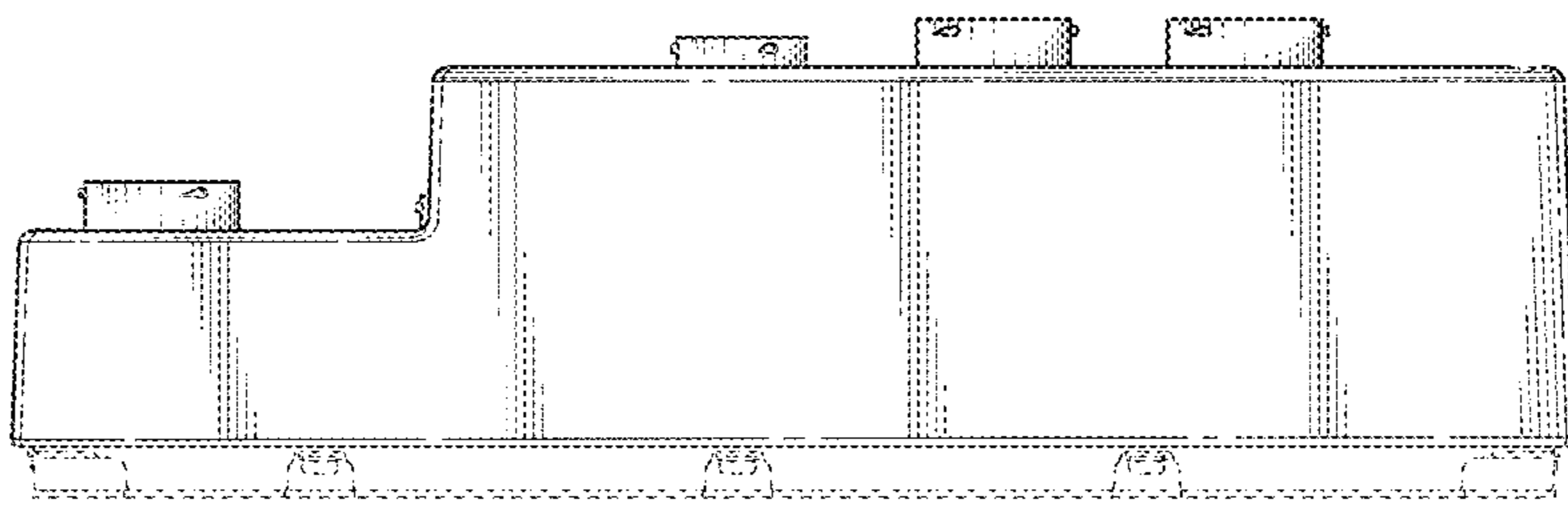


FIG. 10



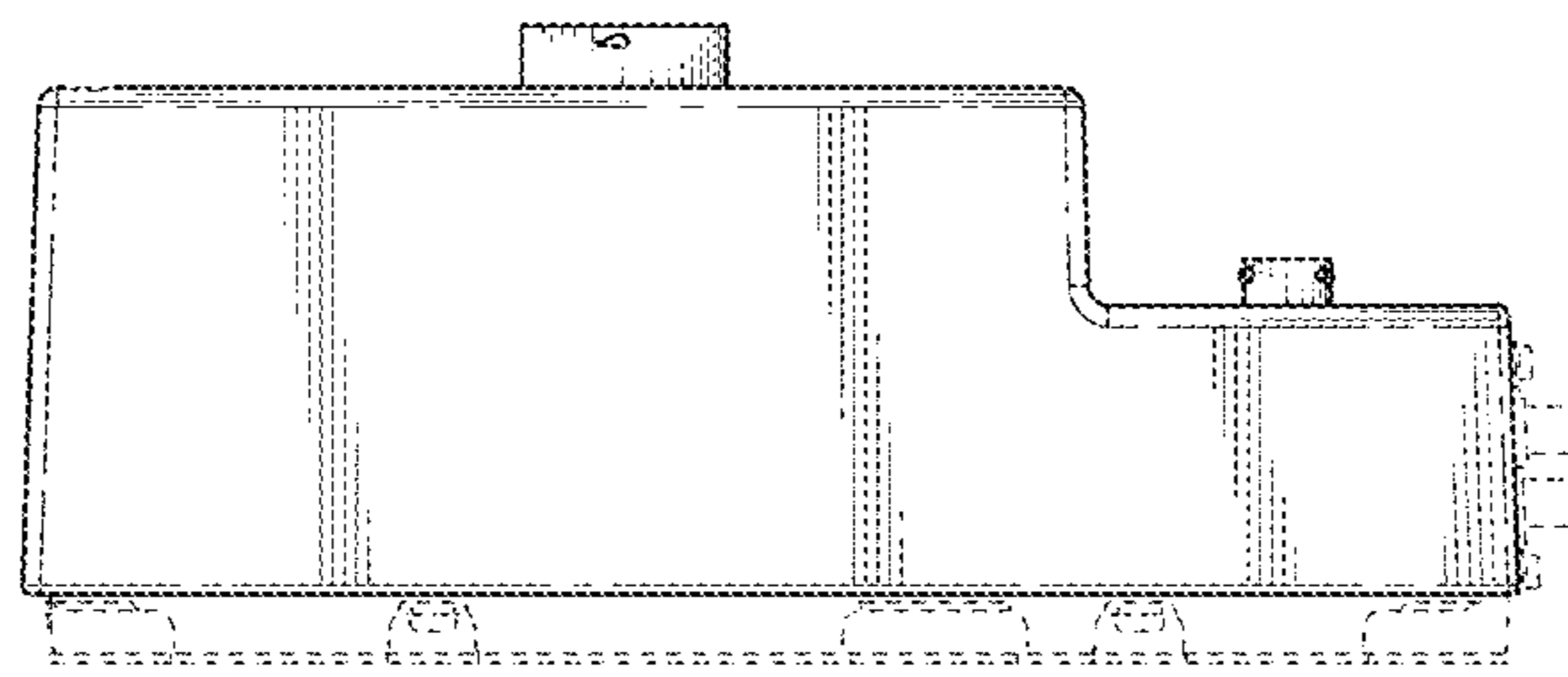


FIG. 11

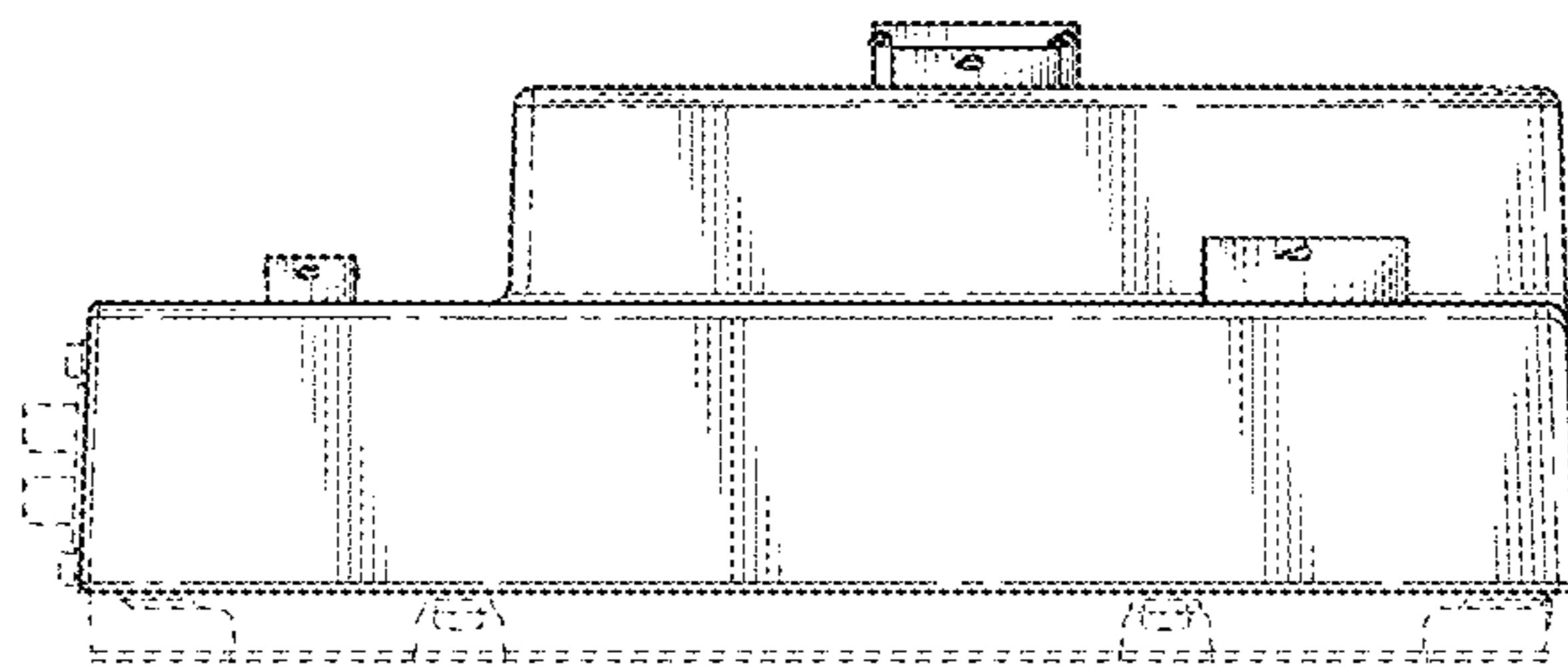


FIG. 12

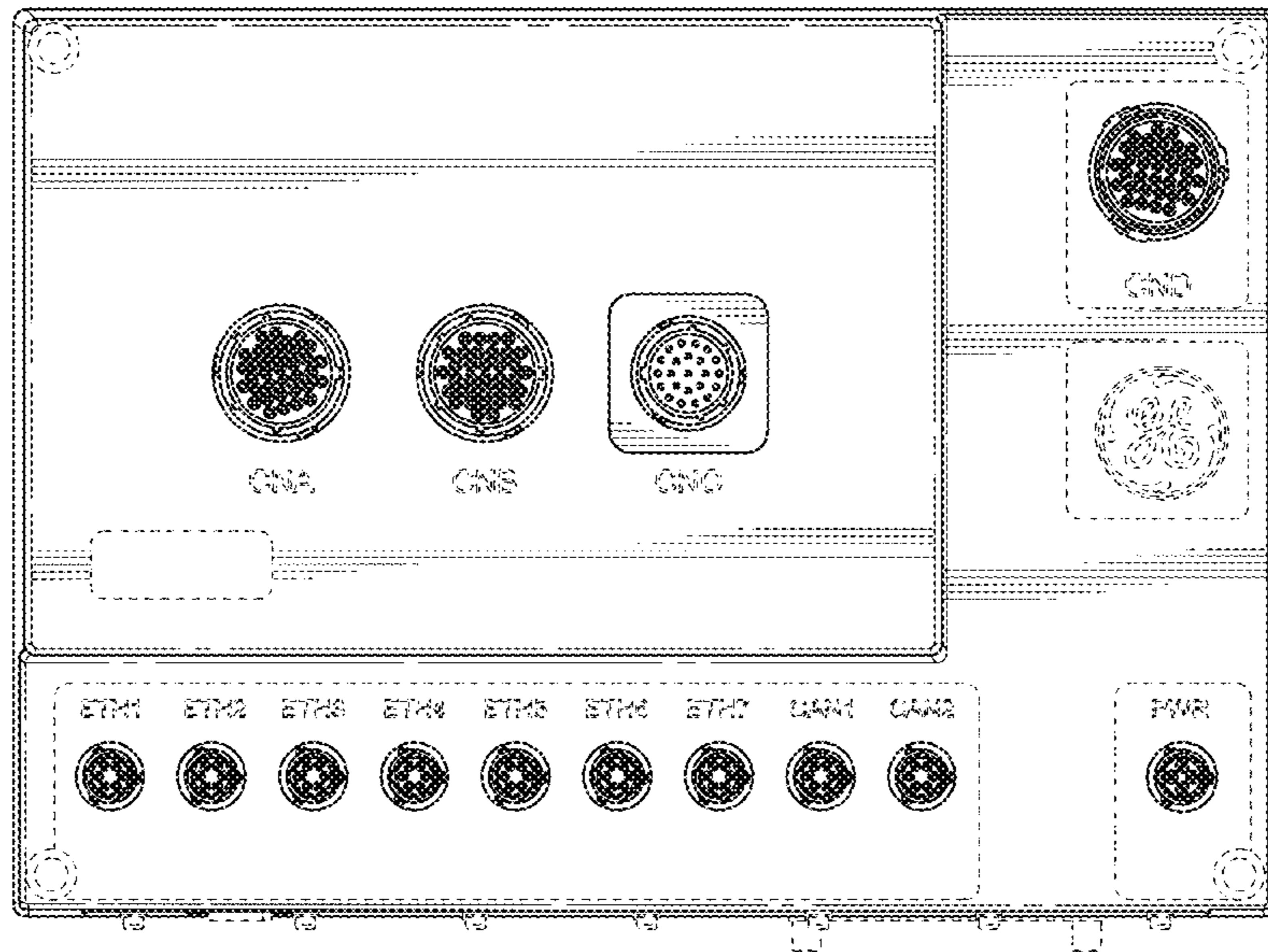


FIG. 13

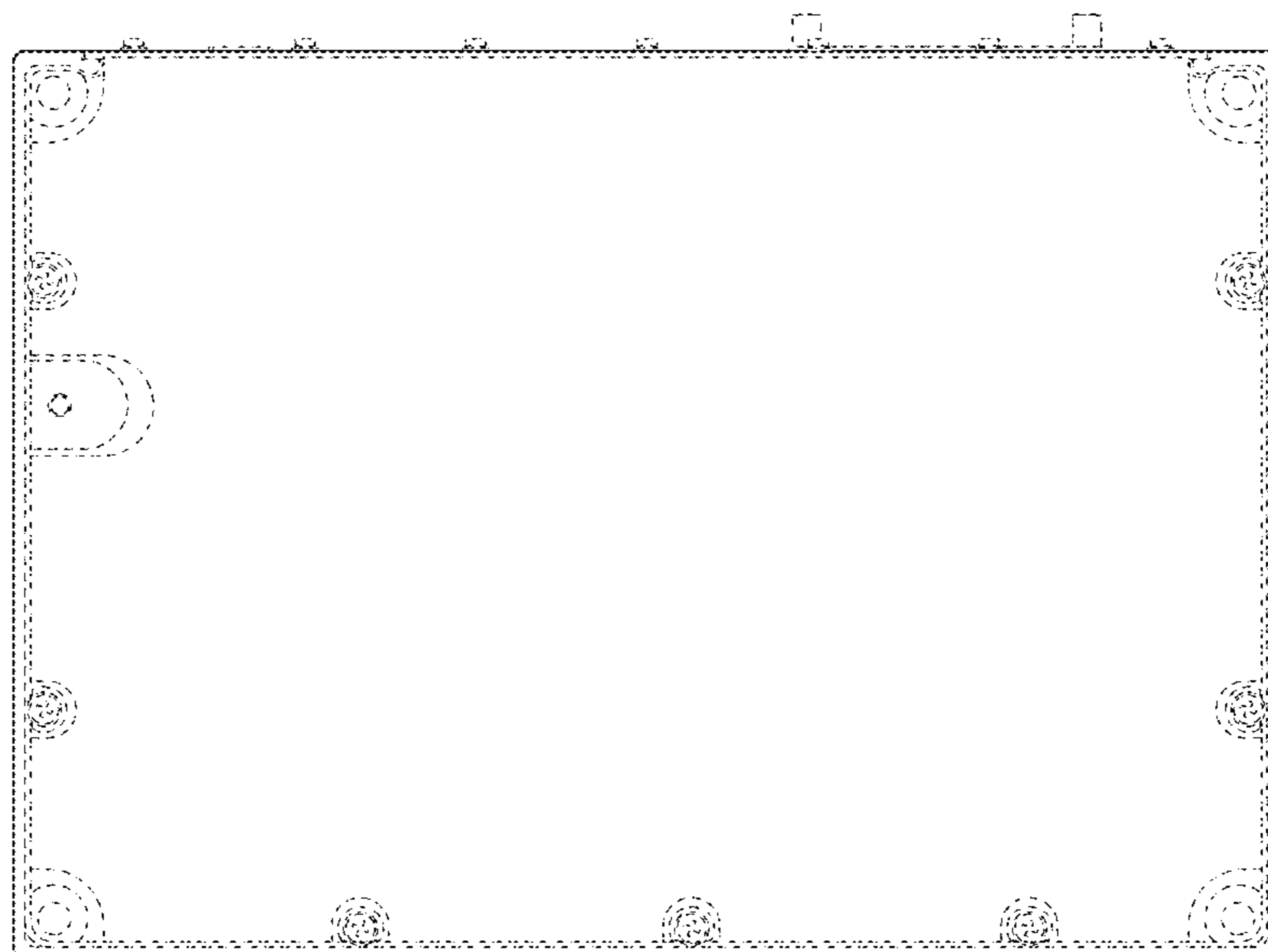


FIG. 14