

US00D859322S

(12) **United States Design Patent** (10) **Patent No.:** **US D859,322 S**
Takahashi et al. (45) **Date of Patent:** **** Sep. 10, 2019**

(54) **BOX COVER FOR LIMIT SWITCH**

FOREIGN PATENT DOCUMENTS

(71) Applicant: **OMRON Corporation**, Kyoto-shi, Kyoto (JP)

CN 302383973 * 4/2013
KR 3020010001200 * 8/2001

(72) Inventors: **Manabu Takahashi**, Okayama (JP);
Kazuyuki Tsukimori, Okayama (JP);
Shinya Katsube, Okayama (JP);
Kokichi Tobita, Shimane (JP);
Yasuhiro Tanoue, Shiga (JP); **Yuki Yamamoto**, Okayama (JP)

OTHER PUBLICATIONS

Kone EcoSpace MRL Traction Elevator @ Walmart, Scarborough Town Centre, Scarborough ON, dated Jul. 8, 2013, [online], [site visited Mar. 30, 2015]. Available from Internet, <URL: <https://www.youtube.com/watch?v=uXiVpUDJQG4>>.*

(73) Assignee: **Omron Corporation**, Kyoto (JP)

(Continued)

(**) Term: **15 Years**

Primary Examiner — Angela J Lee

(21) Appl. No.: **29/547,177**

Assistant Examiner — Shawn T Gingrich

(22) Filed: **Dec. 1, 2015**

(74) *Attorney, Agent, or Firm* — Harness, Dickey & Pierce, P.L.C.

Related U.S. Application Data

(63) Continuation of application No. 29/481,379, filed on Feb. 5, 2014, now Pat. No. Des. 778,842.

(57) **CLAIM**

(30) **Foreign Application Priority Data**

The ornamental design for a box cover for limit switch, as shown and described.

Aug. 8, 2013 (JP) 2013-018217
Aug. 8, 2013 (JP) 2013-018218

(51) **LOC (12) Cl.** **13-03**

DESCRIPTION

(52) **U.S. Cl.**
USPC **D13/158**; D13/177; D13/174

(58) **Field of Classification Search**
USPC D13/110, 118, 123, 133, 152, 154,
D13/158–160, 173, 174, 184, 199;
(Continued)

FIG. 1 is a perspective view of a box cover for limit switch showing our new design;
FIG. 2 is a front elevational view thereof;
FIG. 3 is a rear elevational view thereof;
FIG. 4 is a left side view thereof;
FIG. 5 is a right side view thereof;
FIG. 6 is a top plan view thereof; and,
FIG. 7 is a bottom plan view thereof.
The broken lines depict environmental subject matter only and form no part of the claimed design.
The oblique short lines in FIG. 1 and FIG. 2 are intended to illustrate that the surface is translucent.

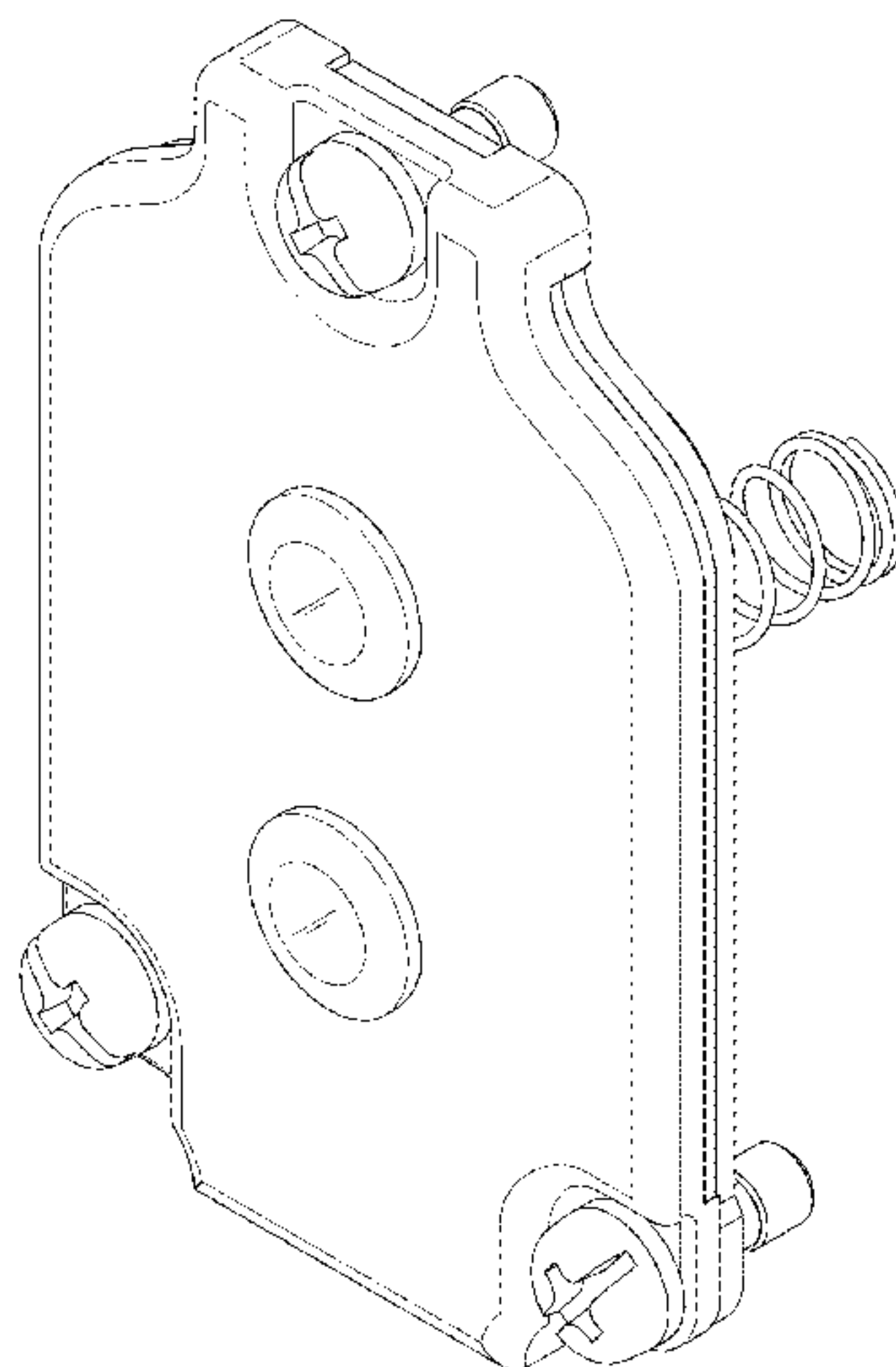
(56) **References Cited**

U.S. PATENT DOCUMENTS

D33,304 S 10/1900 Thomas
762,571 A * 6/1904 Alexander H02G 3/14
220/241

(Continued)

1 Claim, 6 Drawing Sheets



(58) **Field of Classification Search**

USPC D24/100, 101; D21/443; D30/160;
D10/30; D11/200, 222
CPC H01H 3/022; H01H 3/12; H01H 3/16;
H01H 3/42; H01H 3/122; H01H 9/0235;
H01H 13/023; H01H 13/04; H01H 13/14;
H01H 13/86; H01H 21/28
See application file for complete search history.

D530,553 S 10/2006 Yang et al.
D533,846 S * 12/2006 Burton D13/171
D559,790 S 1/2008 Okuno
D595,240 S 6/2009 Busbridge
7,569,785 B2 8/2009 Mills et al.
D606,500 S 12/2009 Snyder et al.
D611,916 S 3/2010 Wu et al.
D614,589 S 4/2010 Altonen et al.
D621,795 S 8/2010 Tsui et al.
D635,102 S 3/2011 Tsui et al.
D642,992 S * 8/2011 Sasaki D13/164
D645,005 S 9/2011 Menheere
8,241,153 B2 8/2012 Williams
D692,395 S 10/2013 Takahashi et al.
D714,229 S 9/2014 Wenji et al.
D718,236 S 11/2014 Murray
D736,722 S 8/2015 Chu
D751,997 S * 3/2016 Takahashi D13/174
D777,687 S * 1/2017 Seidl D13/171
D778,842 S * 2/2017 Takahashi D13/158
D782,120 S * 3/2017 Patel D29/122
D798,177 S * 9/2017 Siminoff D10/118.2
2006/0219541 A1 10/2006 Birdwell et al.
2010/0057397 A1 3/2010 Takeishi et al.
2013/0047778 A1 2/2013 Zhou
2014/0000409 A1* 1/2014 Hayase B65G 43/08
74/519
2017/0036647 A1* 2/2017 Zhao B60R 11/04
2017/0261766 A1* 9/2017 Thompson G02C 7/049
2017/0372855 A1* 12/2017 Sato H01H 13/14

(56) **References Cited**

U.S. PATENT DOCUMENTS

998,119 A * 7/1911 Peterson H02G 3/14
174/66
1,230,643 A * 6/1917 Anderson H02G 3/14
220/241
D57,159 S 2/1921 Shoenberg
D60,383 S 2/1922 Steeple
1,430,129 A 9/1922 Vodicka
1,643,599 A 9/1927 Auld
D83,260 S 2/1931 Lewis
D118,987 S 2/1940 Reinecke
D180,772 S 8/1957 Dehn
3,048,526 A 8/1962 Boswell
D197,278 S 1/1964 Stevenson
3,774,143 A 11/1973 Lopin
D247,782 S 4/1978 Blumberg
D300,528 S 4/1989 Drane
D305,022 S 12/1989 Hallgren et al.
D315,144 S * 3/1991 Dard D10/46
D331,818 S 12/1992 Holahan et al.
D335,283 S * 5/1993 Justiniano D13/171
D351,375 S 10/1994 Nagele
D374,658 S 10/1996 Bever et al.
D377,337 S 1/1997 Schaeffer
D447,424 S 9/2001 Modolo
D478,944 S 8/2003 Peterson
6,828,519 B2 12/2004 Bui et al.

OTHER PUBLICATIONS

Japanese Office Action dated Apr. 22, 2014 issued in corresponding Japanese Application No. 2013-018217.
Japanese Office Action dated Apr. 22, 2014 issued in corresponding Japanese Application No. 2013-018218.

* cited by examiner

Fig. 1

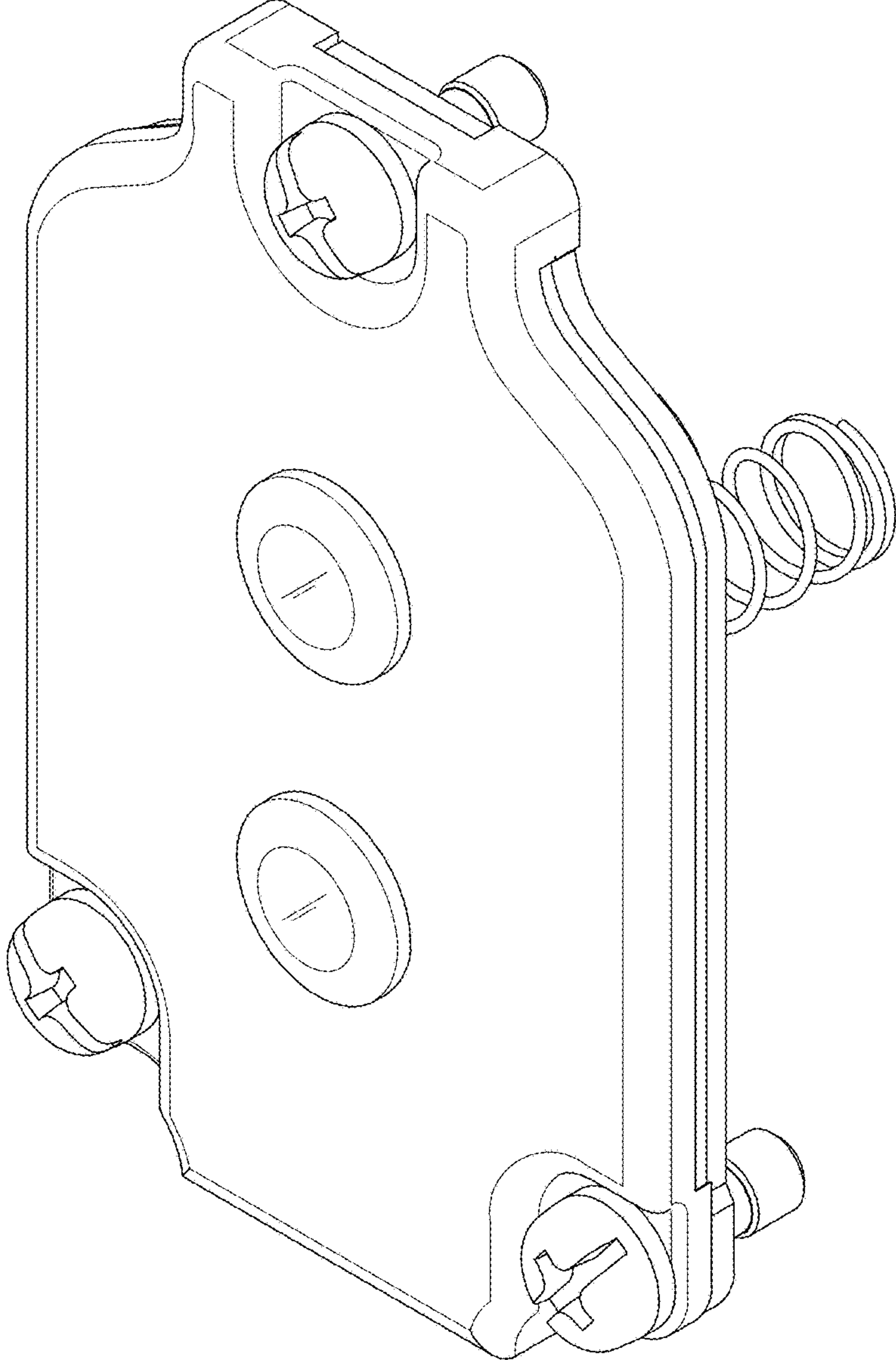


Fig. 2

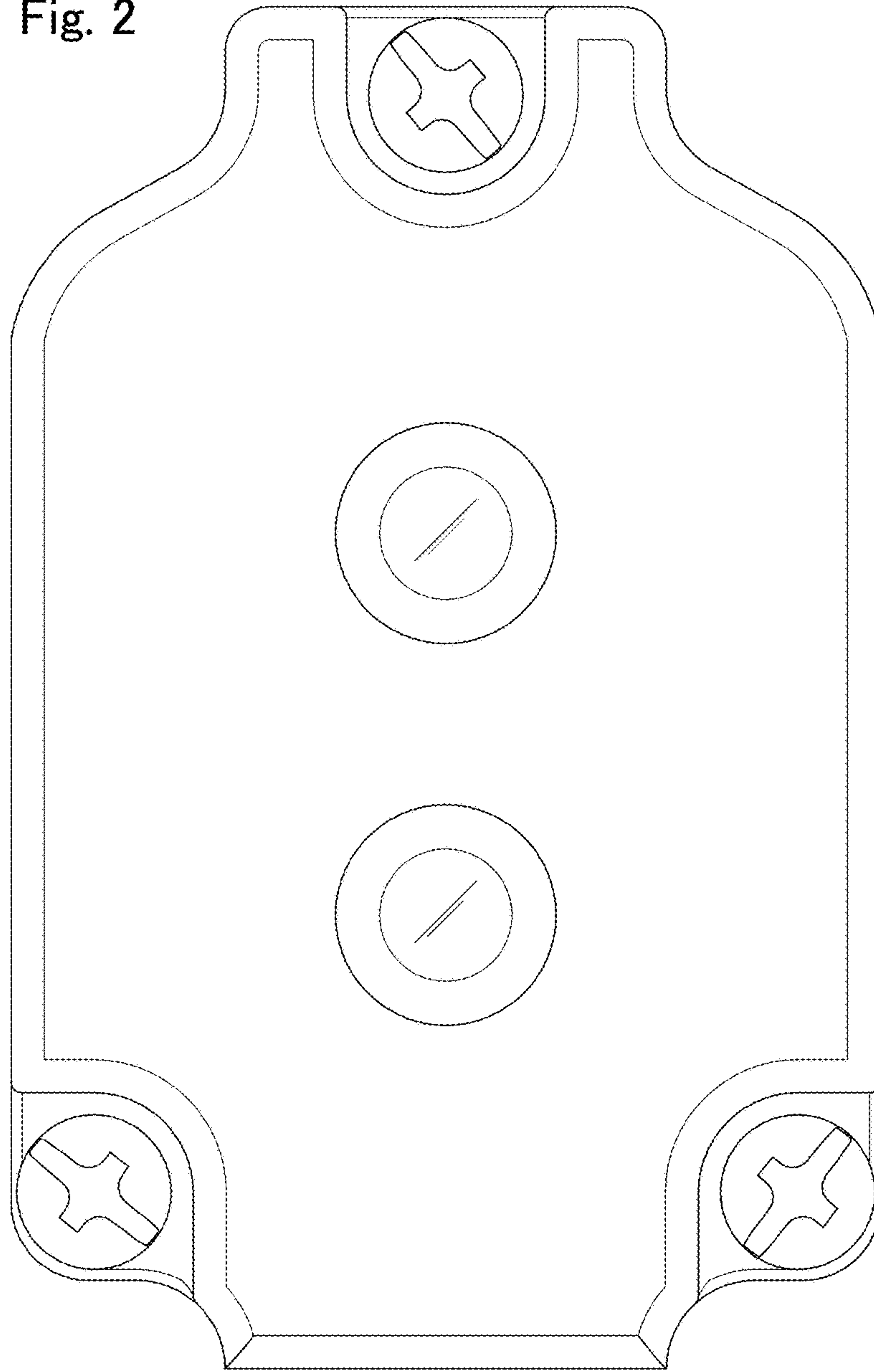


Fig. 3

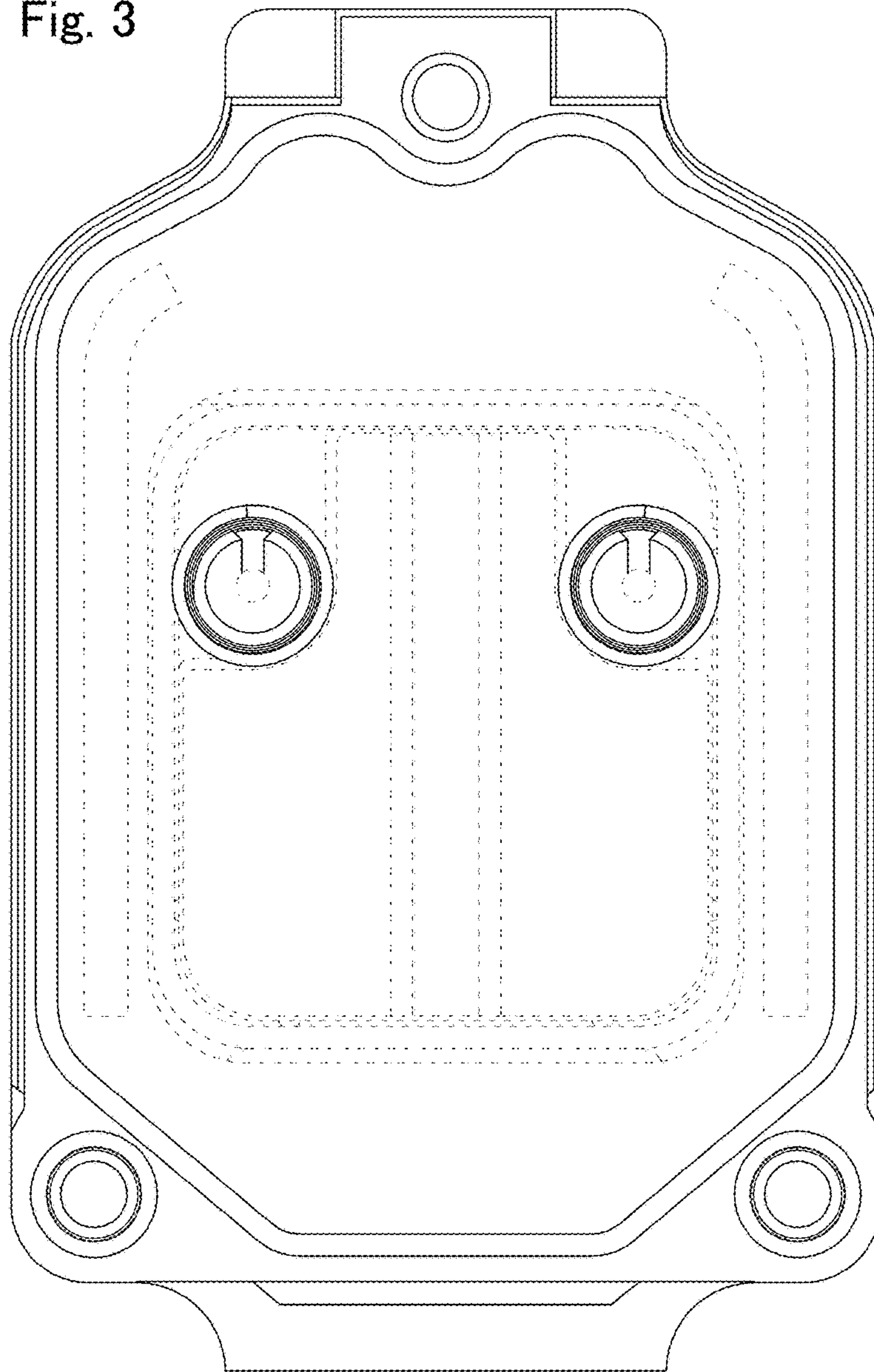


Fig. 4

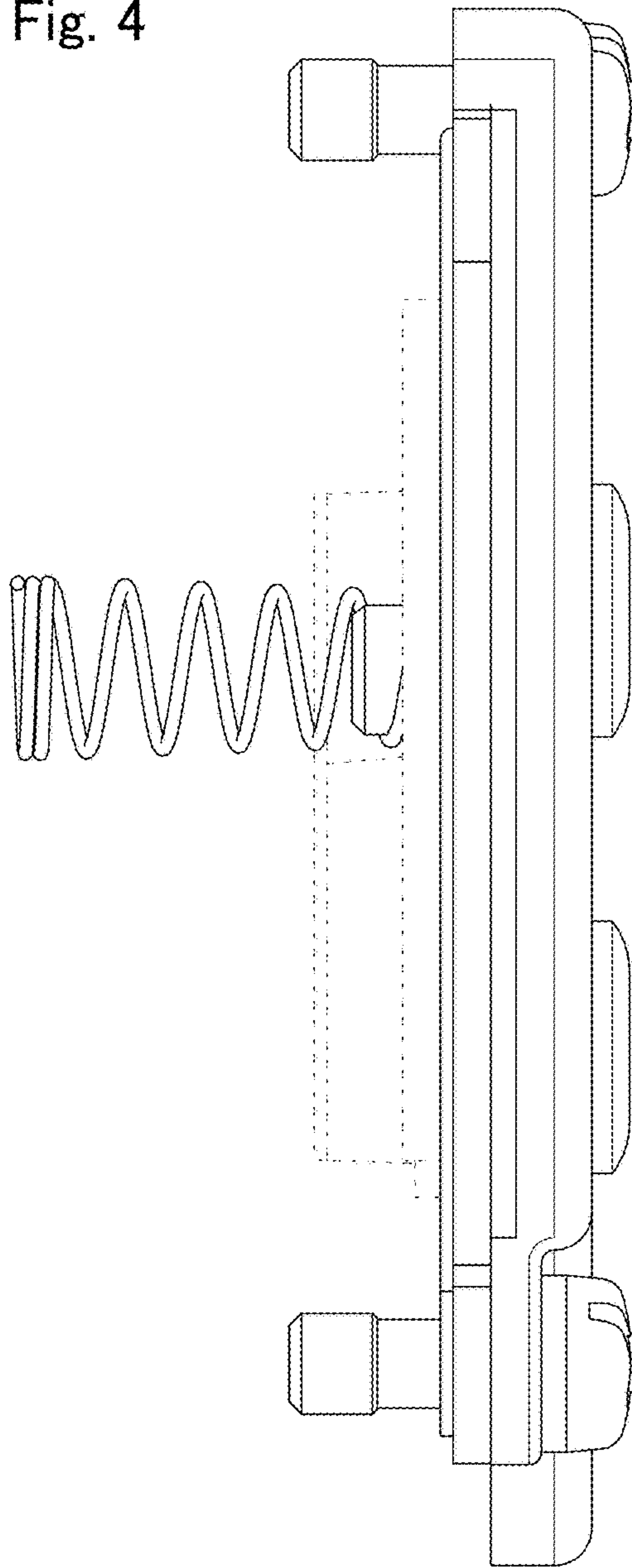


Fig. 5

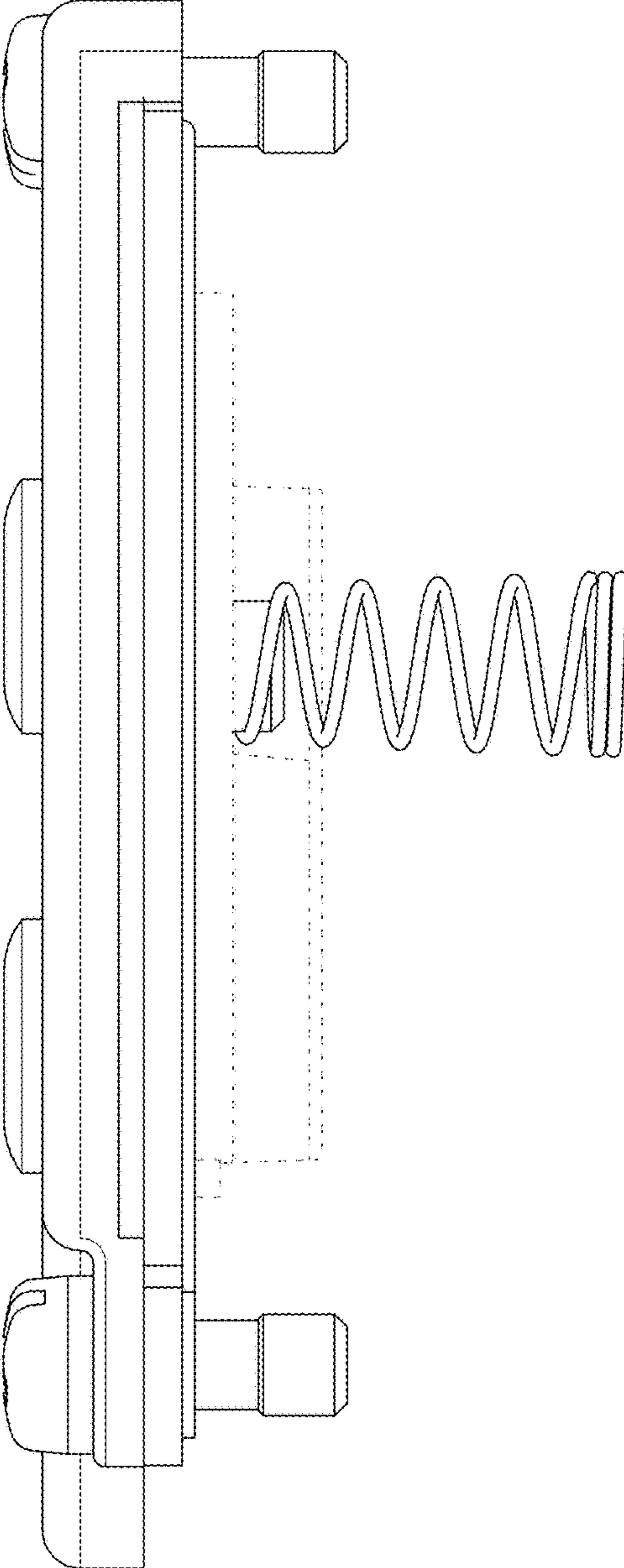


Fig. 6

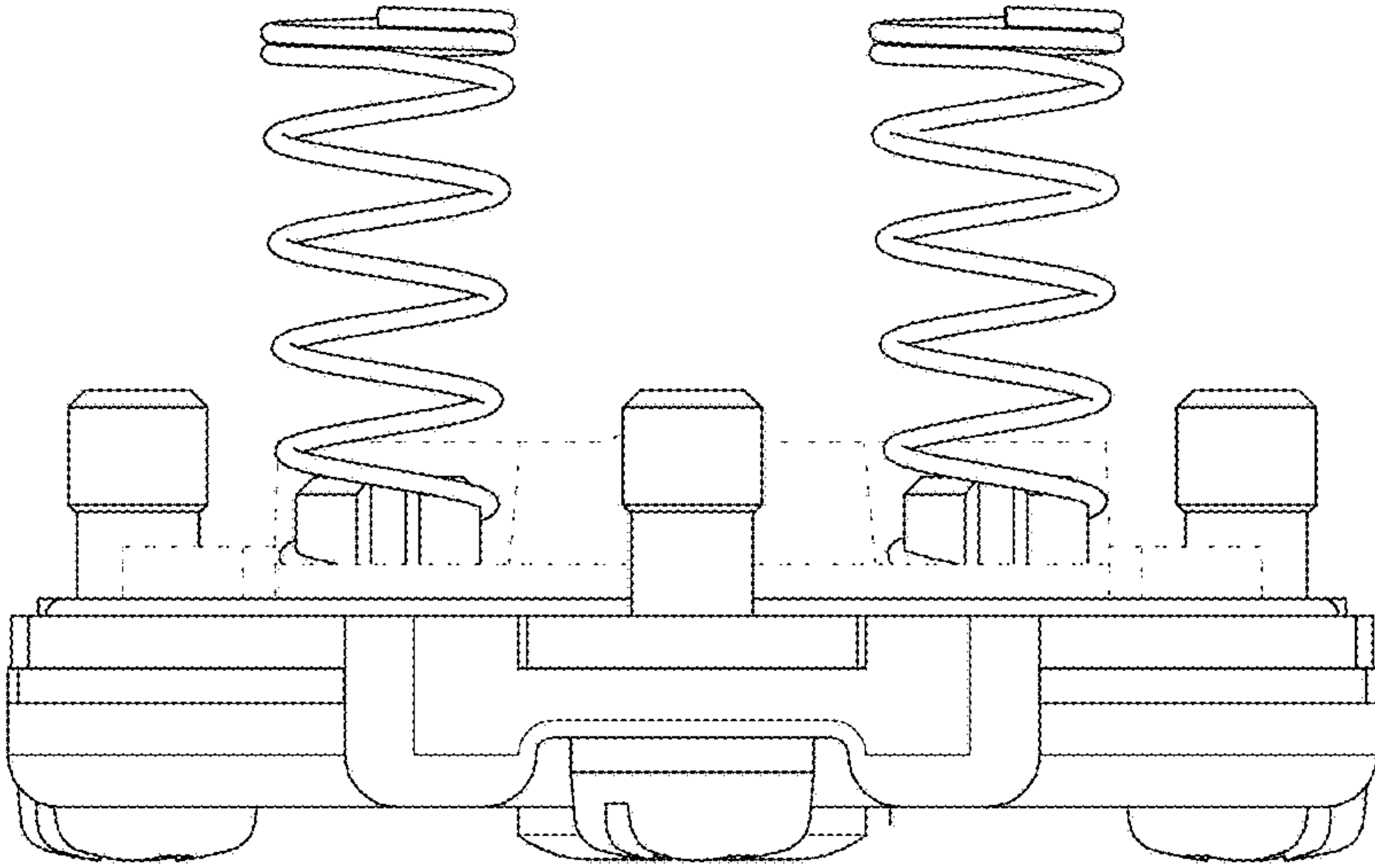


Fig. 7

