



US00D859321S

(12) **United States Design Patent** (10) **Patent No.:** **US D859,321 S**  
**Li** (45) **Date of Patent:** **\*\* Sep. 10, 2019**

(54) **CABLE SPLITTER**  
(71) Applicant: **CommScope Technologies LLC**,  
Hickory, NC (US)  
(72) Inventor: **Shi Man Li**, Mooresville, NC (US)  
(73) Assignee: **CommScope Technologies LLC**,  
Hickory, NC (US)

(\*\*) Term: **15 Years**  
(21) Appl. No.: **29/641,575**  
(22) Filed: **Mar. 22, 2018**  
(51) **LOC (12) Cl.** ..... **13-03**  
(52) **U.S. Cl.**  
USPC ..... **D13/151**  
(58) **Field of Classification Search**  
USPC ..... D13/155, 123, 133, 151, 153, 154, 156,  
D13/184, 199, 146; D23/259, 262;  
D8/356  
CPC . H01R 24/58; H01R 4/10; H01R 4/18; H01R  
4/38; H01R 4/40; H01R 4/56; H01R  
4/60; H01R 4/64  
See application file for complete search history.

D506,445 S \* 6/2005 Mahoney ..... D13/154  
D551,172 S \* 9/2007 Hoshino ..... D13/146  
D673,914 S \* 1/2013 Witkowski ..... D13/151  
8,752,114 B1 6/2014 Shapson et al.  
D756,935 S \* 5/2016 Hanson ..... D13/151  
D766,837 S \* 9/2016 Bender ..... D13/155  
9,795,043 B2 10/2017 Li et al.  
2013/0227632 A1 8/2013 Wells et al.

**OTHER PUBLICATIONS**

Antronix Brochure, ARPI-2000 Drop Power Inserter, Feb. 2005.  
Antronix Brochure, MicroAmp MRA Series, Apr. 2008.  
Antronix Brochure, Residential Amplifier with Active Forward &  
Return FRA Series, Jul. 2015.  
PCT International Brochure, Product Specifications PCT-MPI-1G  
Power Inserter, 5 to 1002 MHz, 2015.

\* cited by examiner

*Primary Examiner* — Derrick E Holland  
*Assistant Examiner* — Jennifer O King  
(74) *Attorney, Agent, or Firm* — Muncy, Geissler, Olds &  
Lowe, P.C.

(57) **CLAIM**

The ornamental design for a cable splitter, as shown and  
described.

(56) **References Cited**

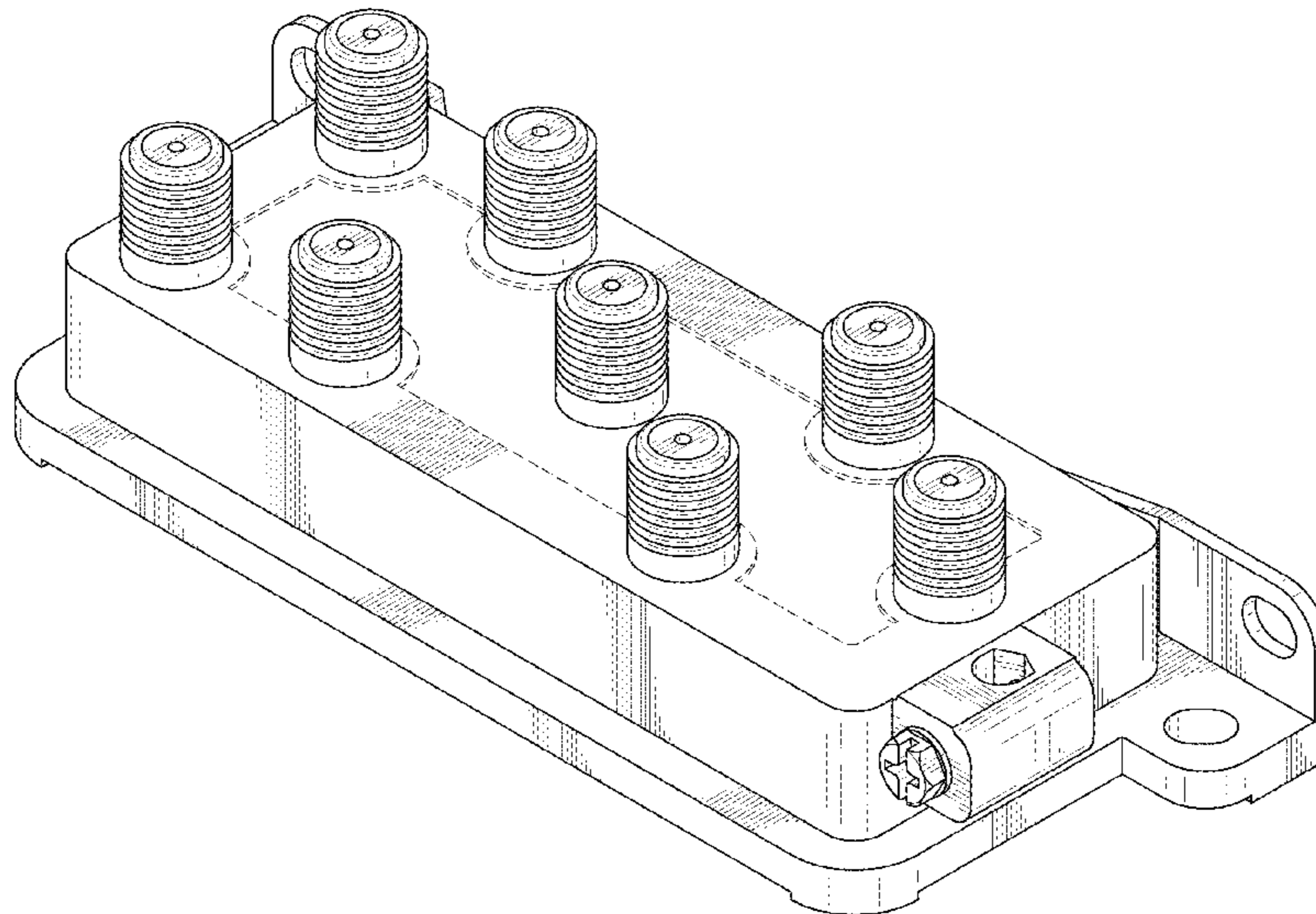
**U.S. PATENT DOCUMENTS**

4,459,568 A 7/1984 Landt  
5,205,758 A \* 4/1993 Comerci ..... H01R 13/516  
439/535  
5,675,300 A 10/1997 Romerein  
D396,691 S \* 8/1998 Shen ..... D13/147  
D396,695 S \* 8/1998 Shen ..... D13/147  
D408,363 S \* 4/1999 Hsiang ..... D13/147  
D410,630 S \* 6/1999 Kodaira ..... D13/147  
6,074,250 A \* 6/2000 Tang ..... H01R 9/0506  
439/579  
D447,473 S \* 9/2001 Chuang ..... D13/151  
D475,019 S \* 5/2003 Soulodre ..... D13/151

**DESCRIPTION**

FIG. 1 is a top, front perspective view of the cable splitter  
showing the new design;  
FIG. 2 is a front view thereof;  
FIG. 3 is a back view thereof;  
FIG. 4 is a left side view thereof;  
FIG. 5 is a right side view thereof;  
FIG. 6 is a top plan view thereof; and,  
FIG. 7 is a bottom plan view thereof.  
The broken lines shown represent the portions of the cable  
splitter that form no part of the claimed design.

**1 Claim, 7 Drawing Sheets**



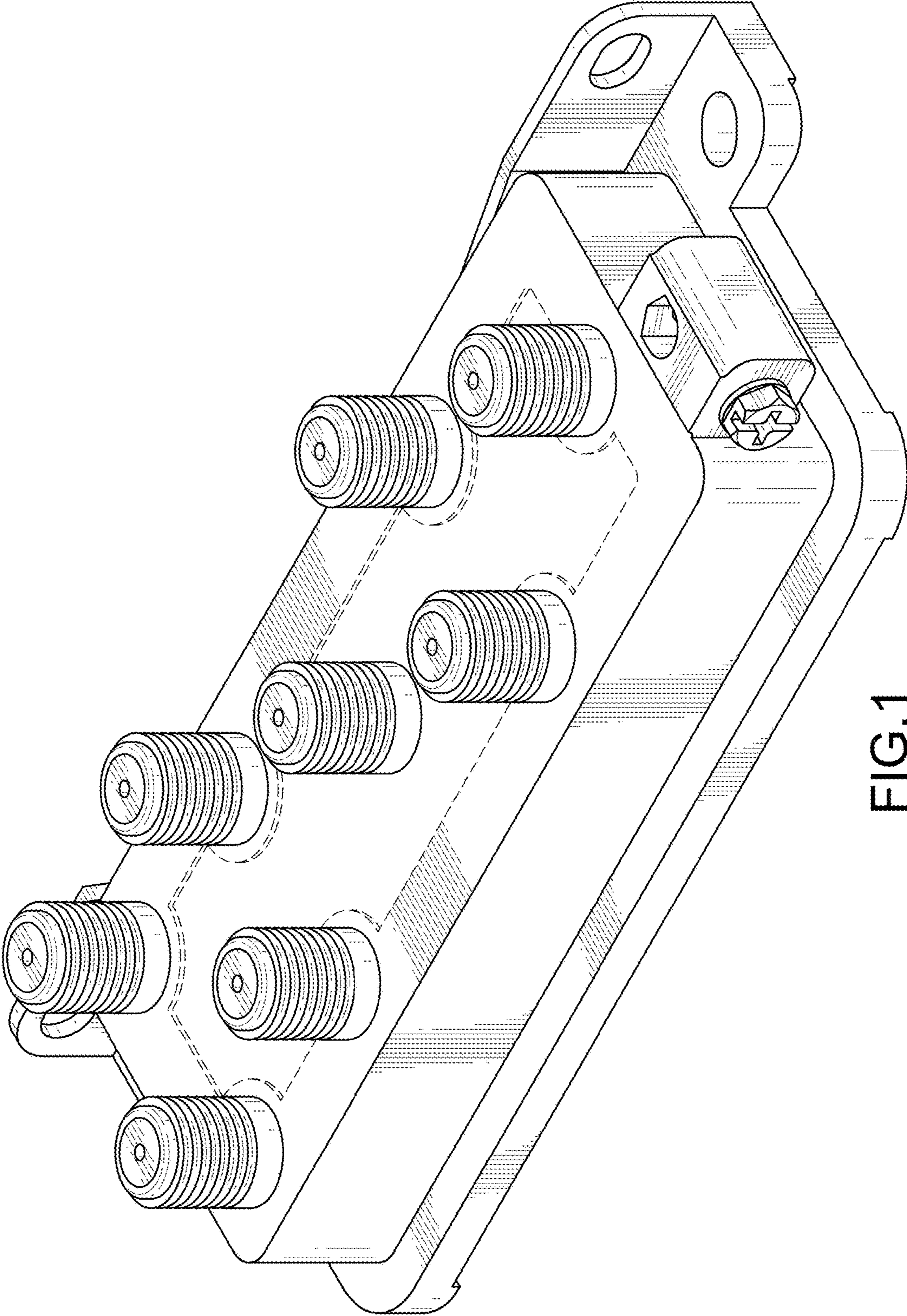


FIG.1



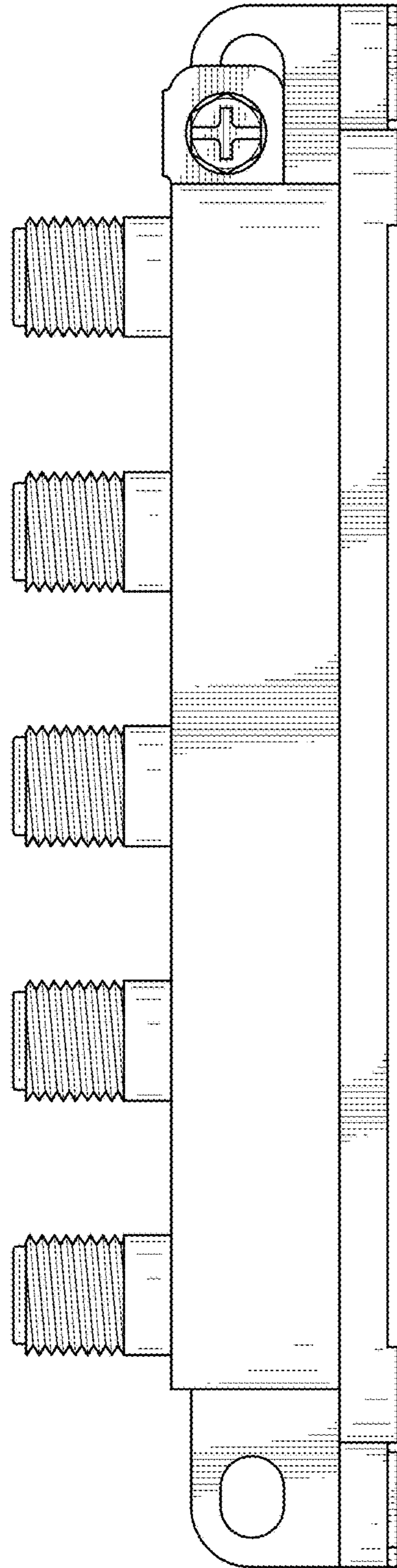


FIG.2

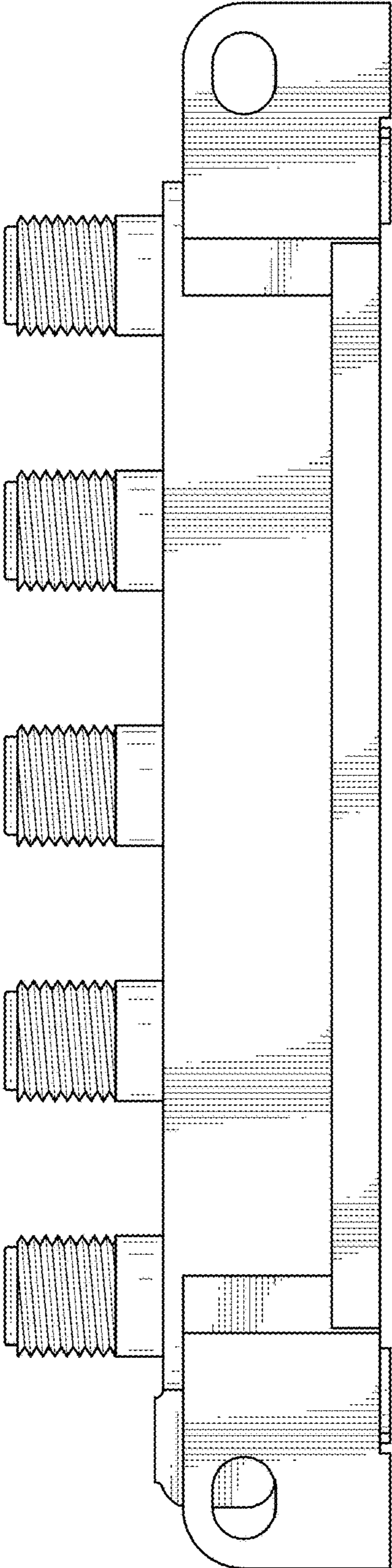


FIG.3

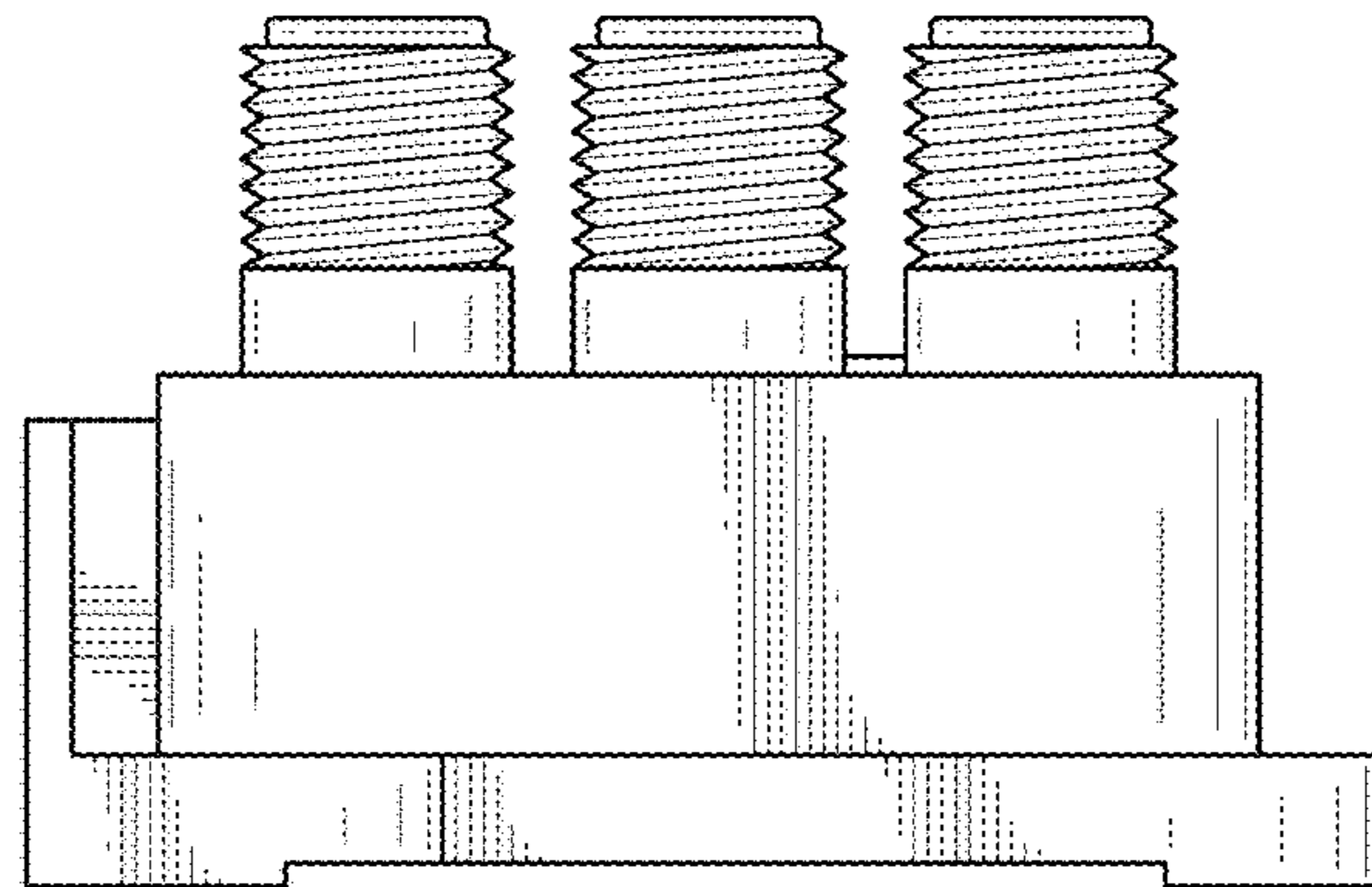


FIG.4

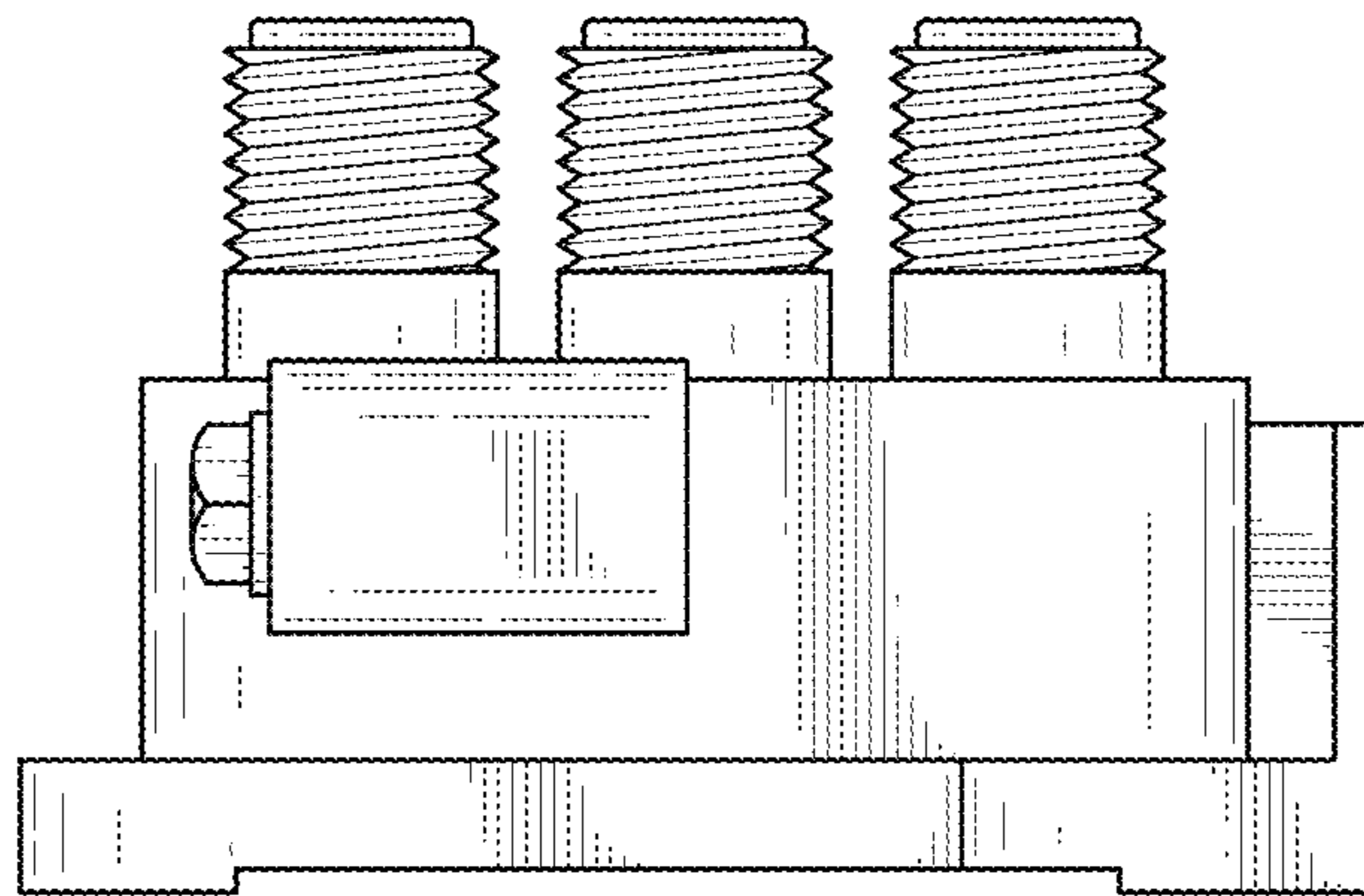


FIG.5

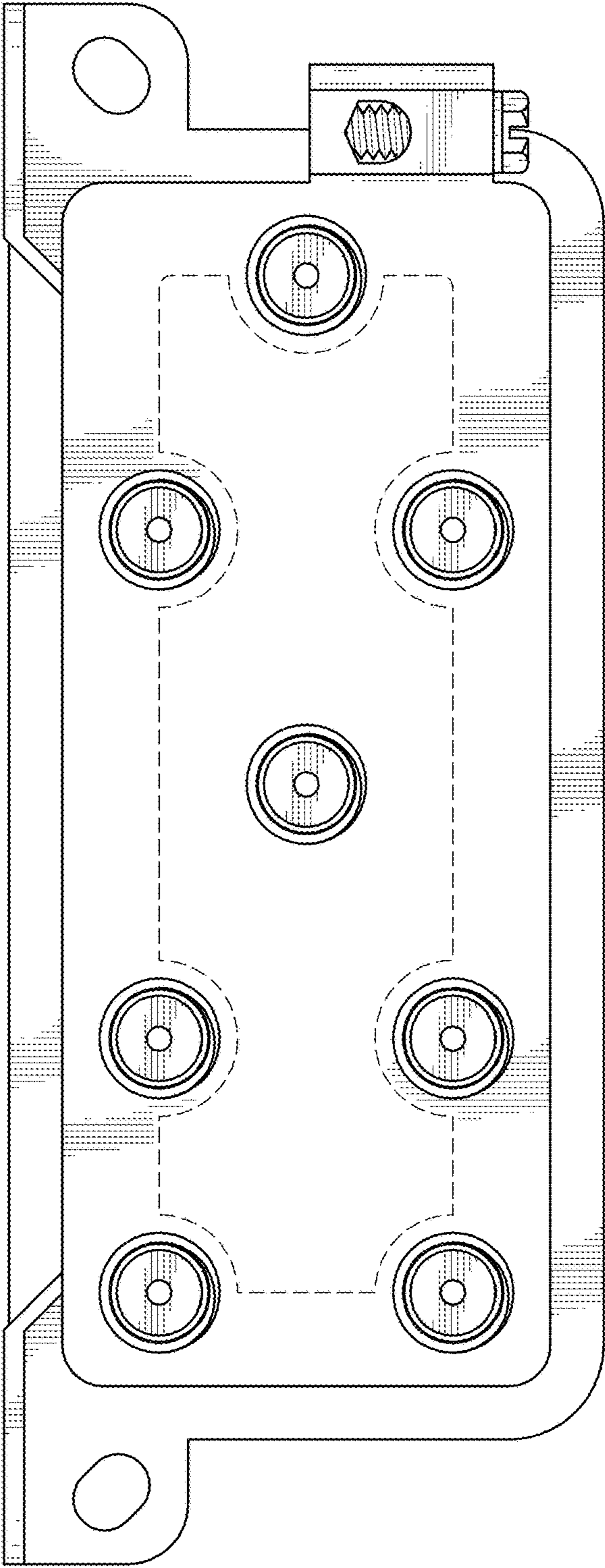


FIG.6

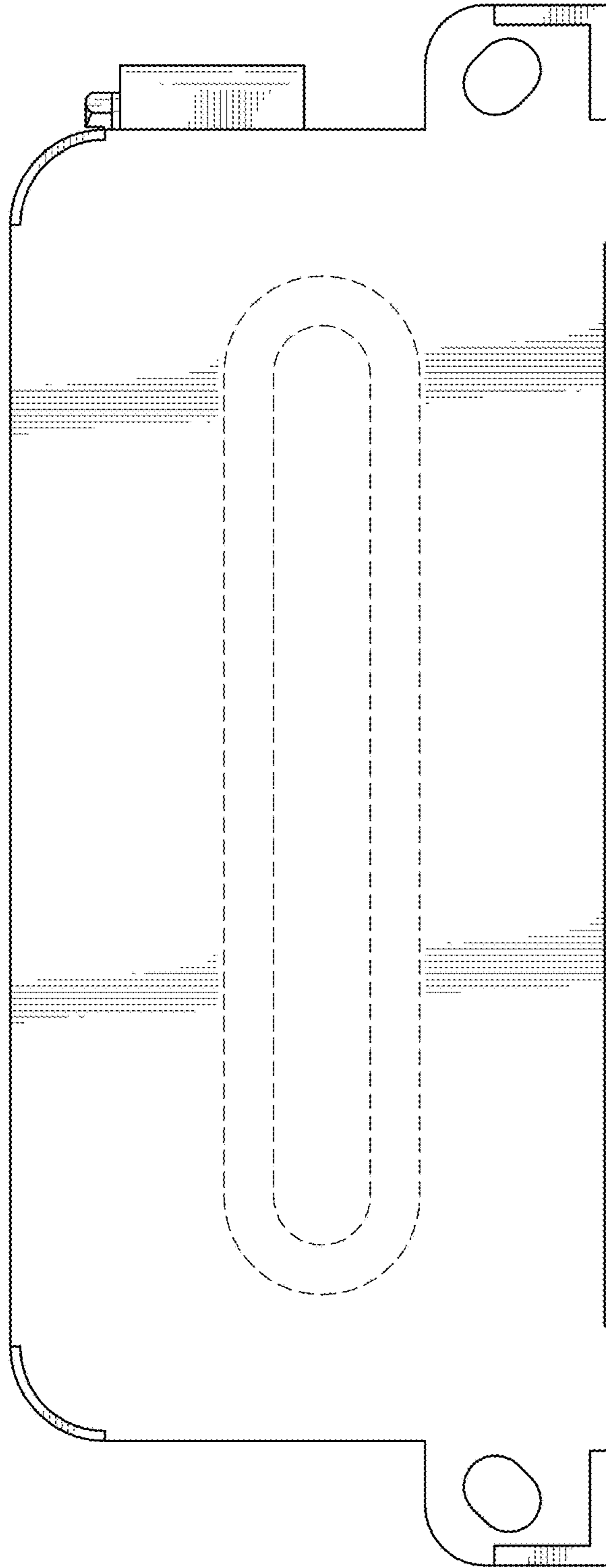


FIG. 7