



US00D859316S

(12) **United States Design Patent** (10) **Patent No.:** **US D859,316 S**
Zhang et al. (45) **Date of Patent:** **** Sep. 10, 2019**

(54) **ELECTRICAL CONNECTOR**

(56) **References Cited**

(71) Applicant: **FOXCONN INTERCONNECT TECHNOLOGY LIMITED**, Grand Cayman (KY)

U.S. PATENT DOCUMENTS

(72) Inventors: **Teng-Fei Zhang**, Kunshan (CN); **Wei Zhong**, Kunshan (CN); **Jian-Kuang Zhu**, Kunshan (CN)

D412,700 S *	8/1999	Gardner	D13/147
D434,728 S *	12/2000	Huang	D13/147
D435,018 S *	12/2000	Hwang	D13/147
D501,828 S *	2/2005	Zhou	D13/147
D517,491 S *	3/2006	Nishio	D13/147
D519,081 S *	4/2006	Katoh	D13/147
D768,085 S *	10/2016	Yokoyama	D13/147
D769,196 S *	10/2016	Yokoyama	D13/147
D830,973 S *	10/2018	Ootani	D13/147
D832,787 S *	11/2018	Ootani	D13/146

(73) Assignee: **FOXCONN INTERCONNECT TECHNOLOGY LIMITED**, Grand Cayman (KY)

(Continued)

(**) Term: **15 Years**

FOREIGN PATENT DOCUMENTS

(21) Appl. No.: **29/611,260**

CN 204720597 U 10/2015

(22) Filed: **Jul. 19, 2017**

Primary Examiner — Angela J Lee

Assistant Examiner — Shawn T Gingrich

(30) **Foreign Application Priority Data**

(74) *Attorney, Agent, or Firm* — Wei Te Chung; Ming Chieh Chang

Jan. 20, 2017 (CN) 2017 3 0022877

(51) **LOC (12) Cl.** **13-03**

(57) **CLAIM**

The ornamental design for an electrical connector, as shown and described.

(52) **U.S. Cl.**
USPC **D13/146**

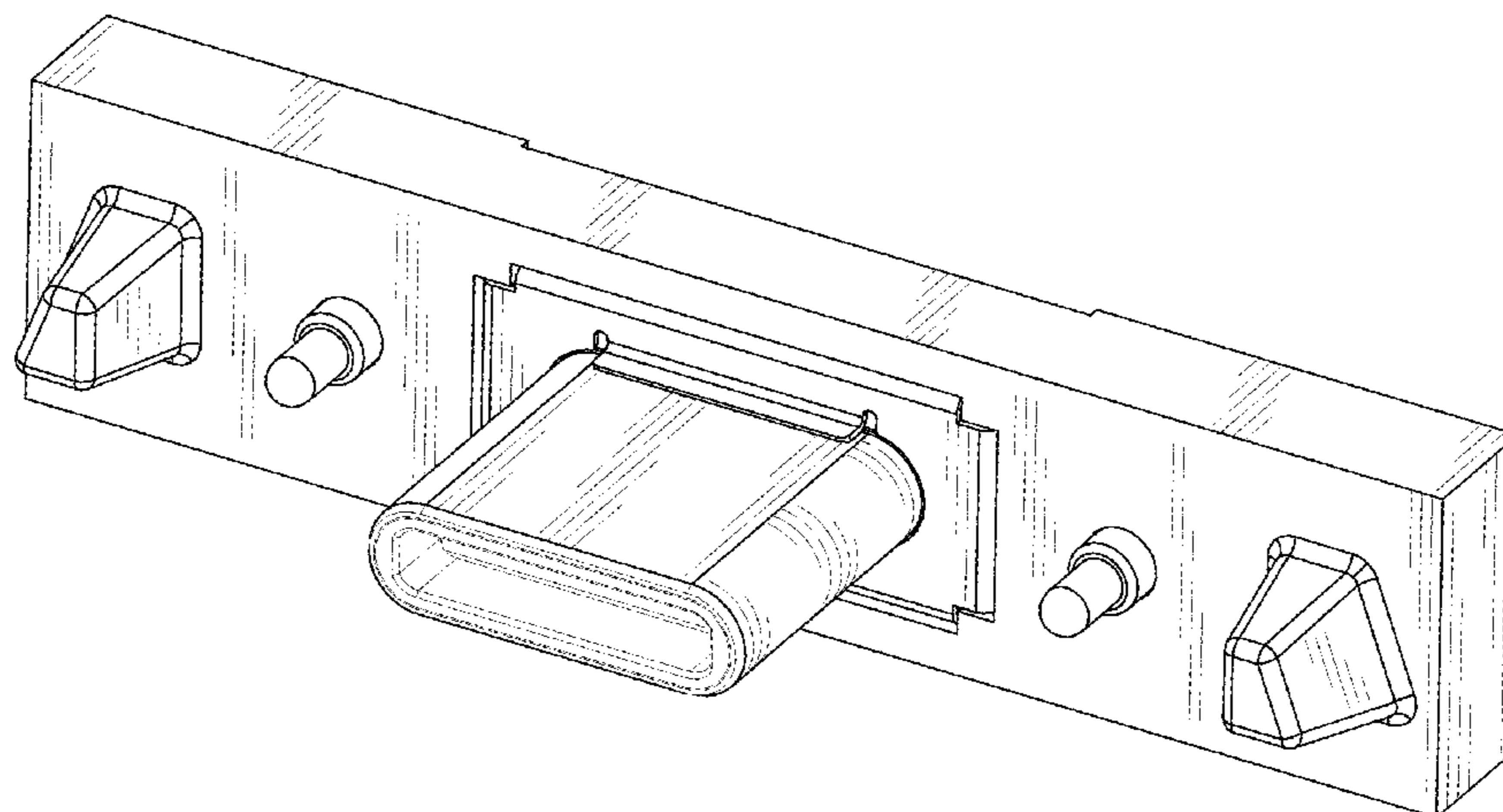
DESCRIPTION

(58) **Field of Classification Search**
USPC D13/101, 103, 110, 118, 123, 133, D13/145–149, 151, 154, 173, 184, 199
CPC . H01R 9/00; H01R 9/03; H01R 13/00; H01R 13/28; H01R 13/44; H01R 13/52; H01R 13/58; H01R 13/62; H01R 13/64; H01R 13/65; H01R 13/658; H01R 13/659; H01R 31/06; H01R 13/645; H01R 24/28; H01R 33/00; H01R 33/02; H01R 33/05; H01R 33/22; H01R 33/46; H01R 33/94; H01R 13/24; H01R 13/2471; H01R 13/506; H01R 13/521

FIG. 1 is a front, top and right side perspective view of an electrical connector showing our new design;
FIG. 2 is a front elevational view of the electrical connector;
FIG. 3 is a rear elevational view of the electrical connector;
FIG. 4 is a left side elevational view of the electrical connector;
FIG. 5 is a right side elevational view of the electrical connector;
FIG. 6 is a top plan view of the electrical connector; and,
FIG. 7 is a bottom plan view of the electrical connector.
The broken lines in the drawings illustrate portions of the electrical connector that form no part of the claimed design.

See application file for complete search history.

1 Claim, 7 Drawing Sheets



(56)

References Cited

U.S. PATENT DOCUMENTS

D833,400 S * 11/2018 Ootani D13/147
2009/0209132 A1* 8/2009 Sato H01R 12/725
439/607.41
2015/0244101 A1* 8/2015 Chien H01R 13/5202
439/271
2017/0194749 A1* 7/2017 Little H01R 13/6581
2017/0256881 A1* 9/2017 Lambie H01R 13/5219
2018/0034189 A1* 2/2018 Li H01R 13/447
2018/0294596 A1* 10/2018 Zhang H01R 13/24
2018/0375263 A1* 12/2018 Zhong H01R 13/4367

* cited by examiner

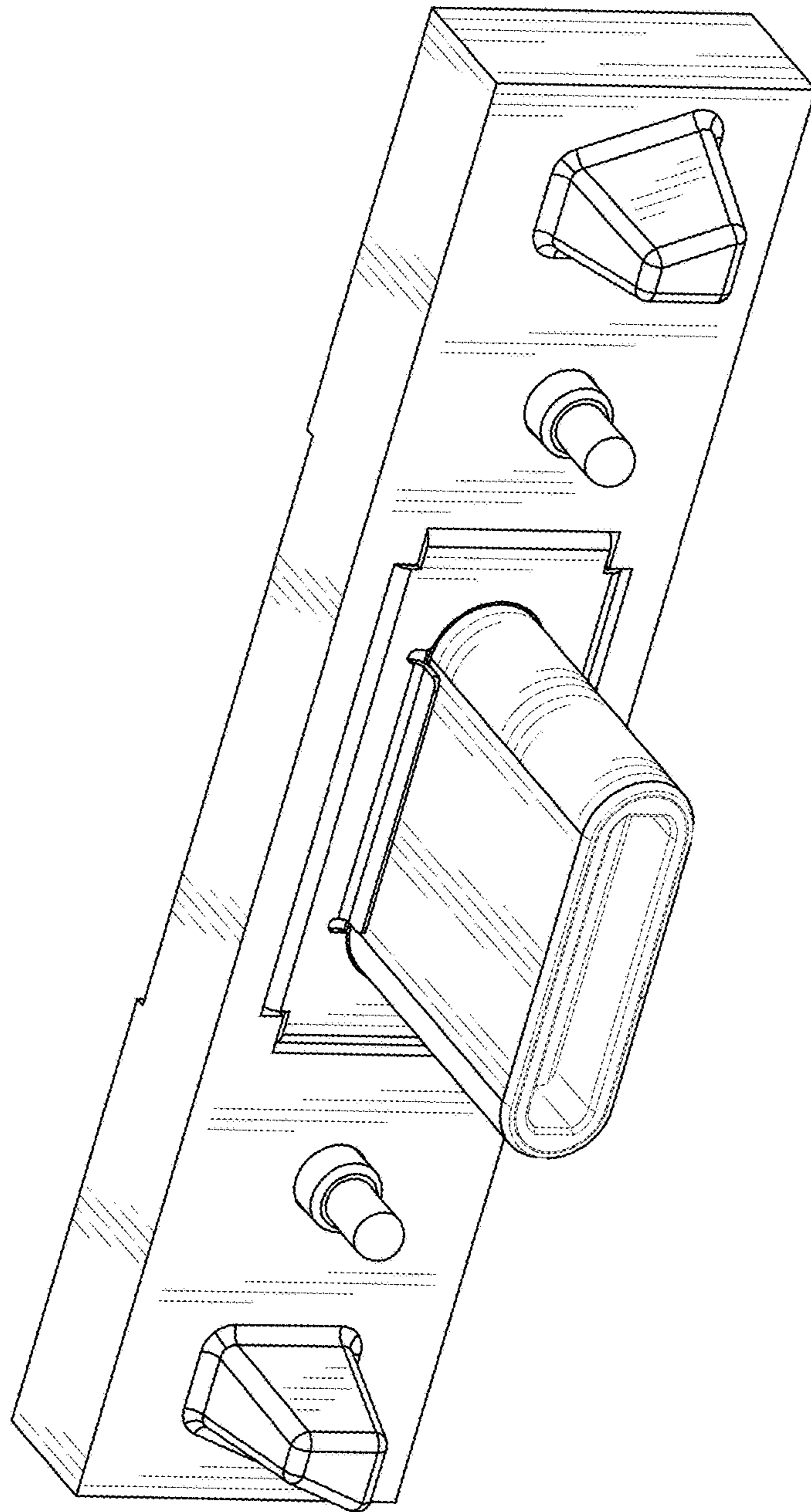


FIG. 1

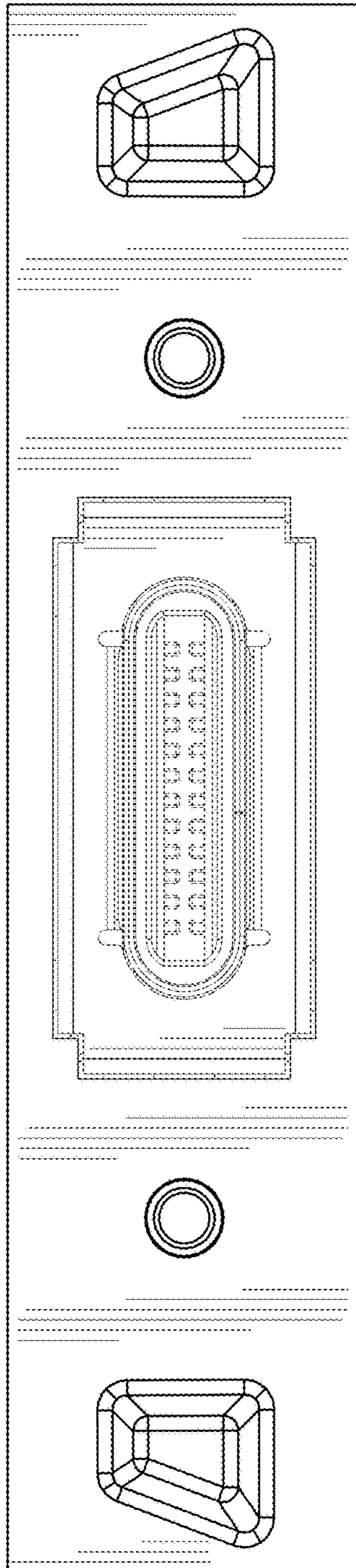


FIG. 2

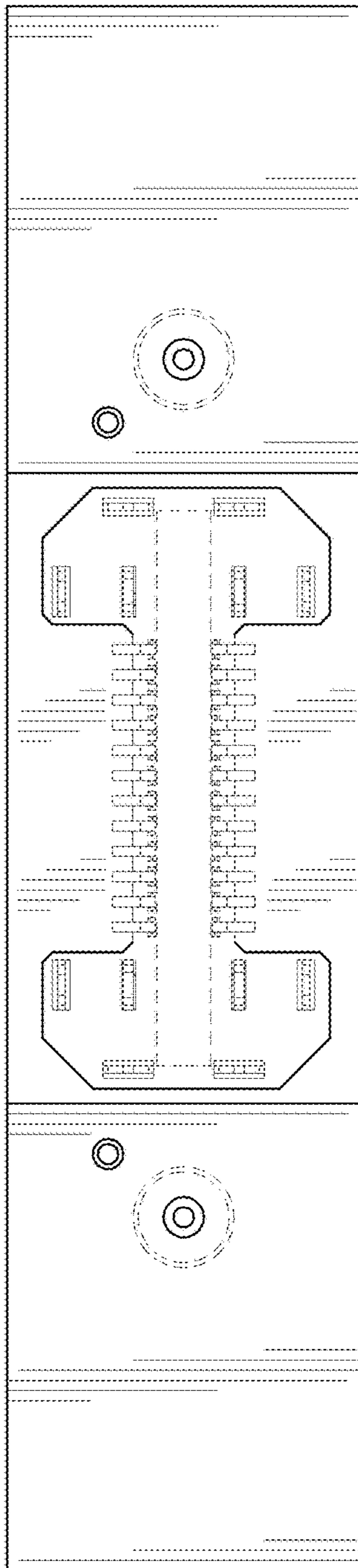


FIG. 3

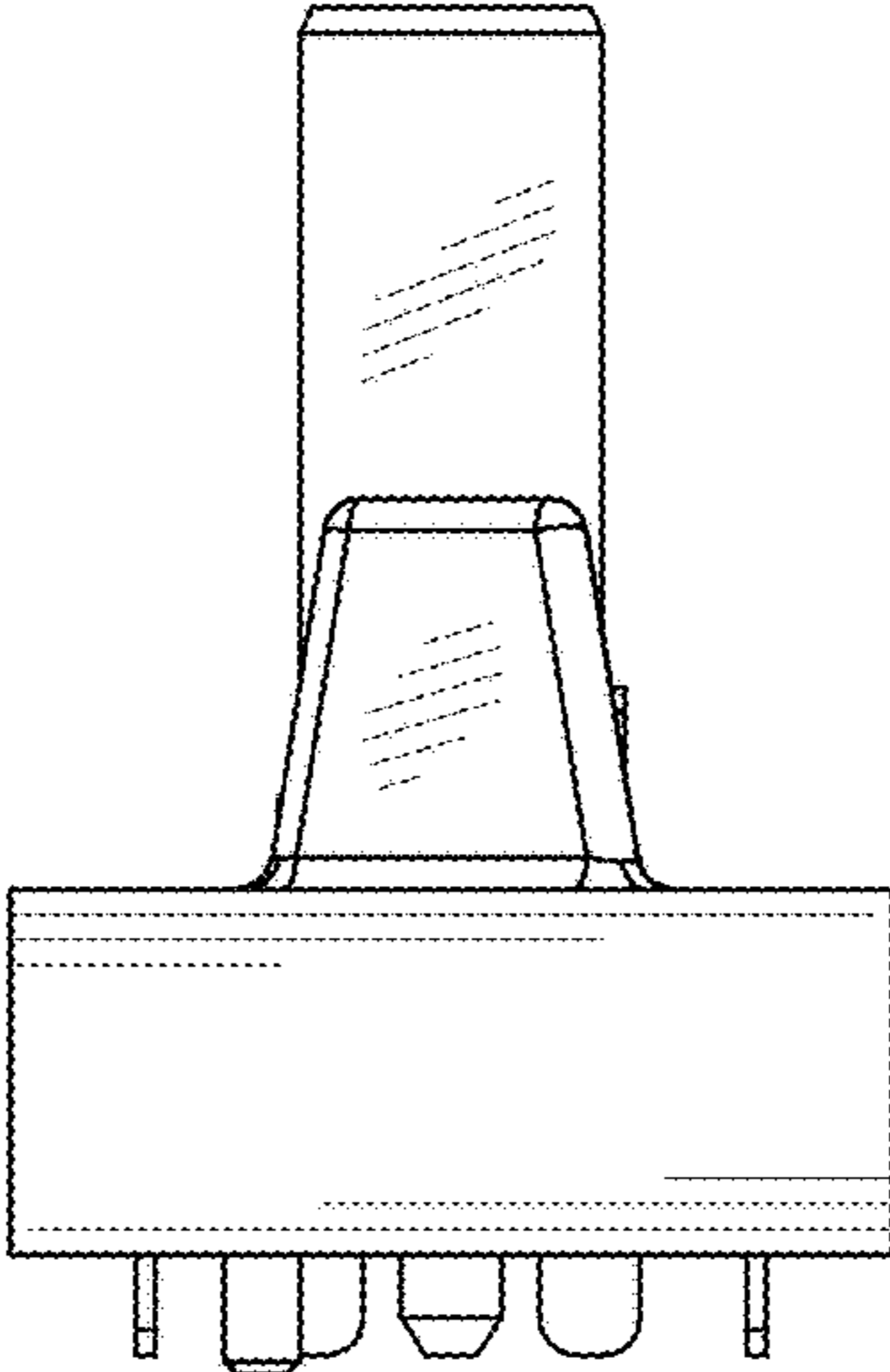


FIG. 4

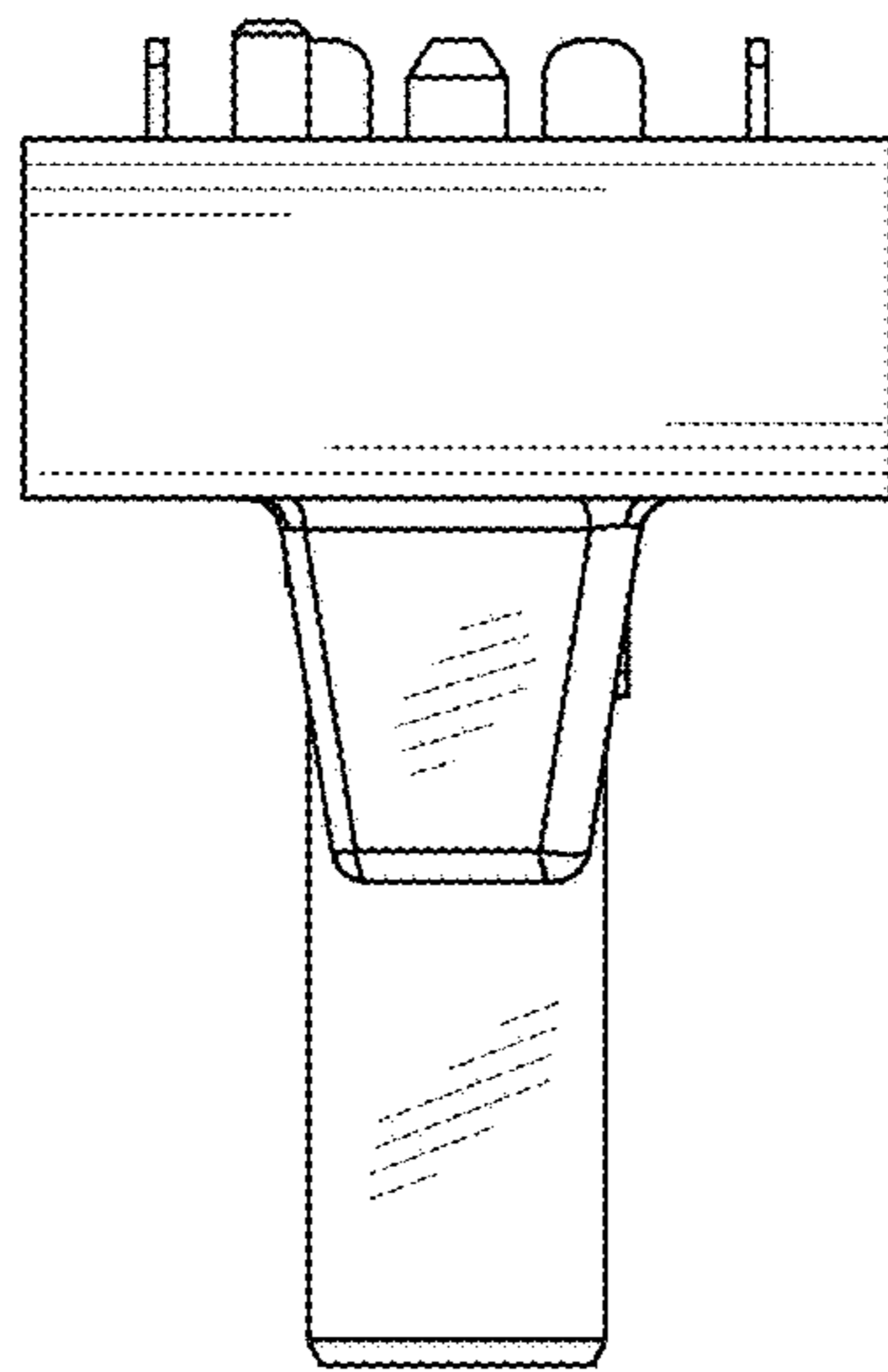


FIG. 5

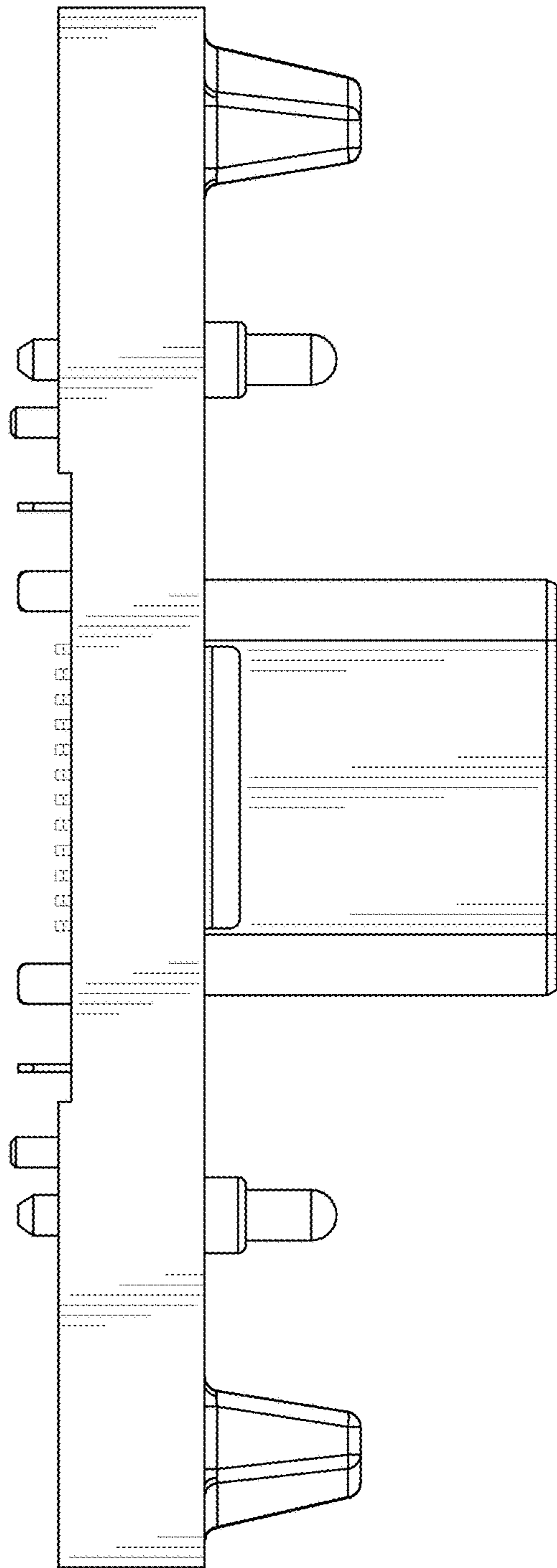


FIG. 6

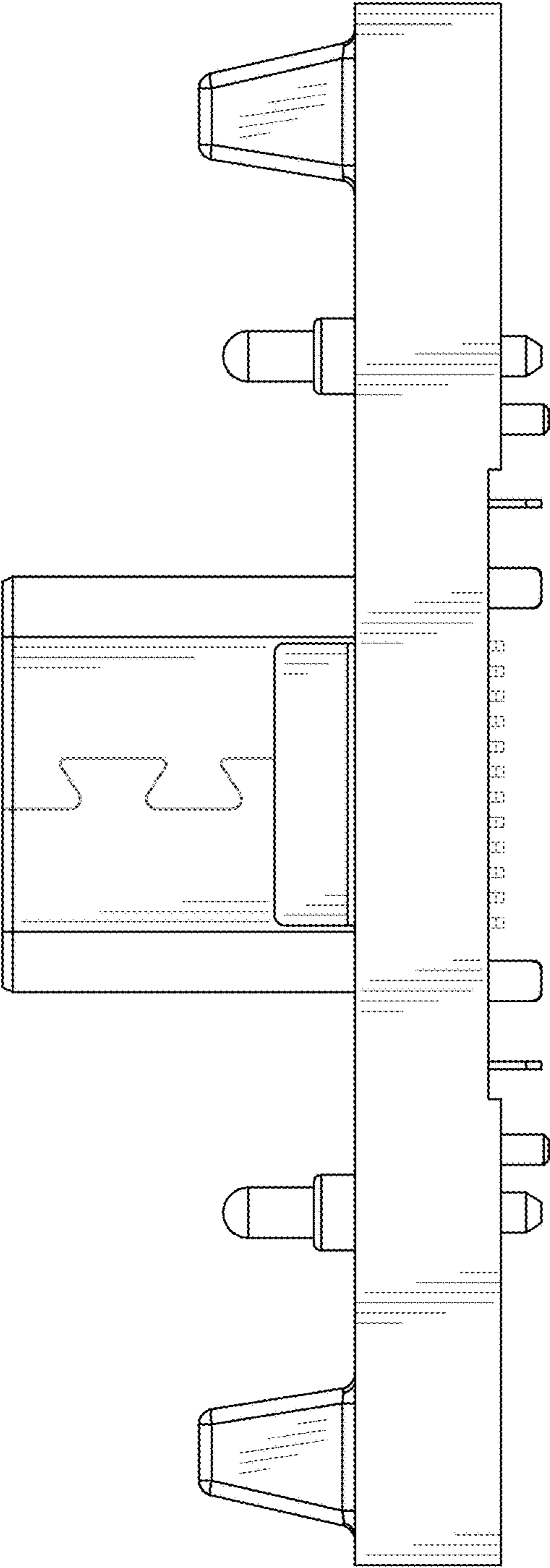


FIG. 7