



US00D859315S

(12) **United States Design Patent** (10) **Patent No.:** **US D859,315 S**  
**Zhong** (45) **Date of Patent:** **\*\* Sep. 10, 2019**

(54) **ON-BOARD CHARGING MOBILE PHONE HOLDER**

(71) Applicant: **Bo Zhong**, Leshan (CN)

(72) Inventor: **Bo Zhong**, Leshan (CN)

(\*\*) Term: **15 Years**

(21) Appl. No.: **29/603,156**

(22) Filed: **May 8, 2017**

(51) **LOC (12) Cl.** ..... **13-03**

(52) **U.S. Cl.**  
USPC ..... **D13/144**

(58) **Field of Classification Search**  
USPC ..... D13/144, 107, 110, 118, 119, 120, 133,  
D13/154, 184, 199; D14/155, 217, 433,  
D14/434; 320/65, 107, 108, 109;  
363/13, 146; 439/300, 620, 638, 668,  
439/669, 675, 825  
CPC .... H01R 24/58; H01R 2201/26; H01R 31/02;  
B60R 11/0241

See application file for complete search history.

(56) **References Cited**

U.S. PATENT DOCUMENTS

D416,536 S *	11/1999	Ross	.....	D13/107
5,988,572 A *	11/1999	Chivallier	.....	B60R 11/0241 224/929
D427,602 S *	7/2000	Yerazunis	.....	D14/433
6,840,485 B2 *	1/2005	Richter	.....	B60R 11/00 248/311.2
D522,843 S *	6/2006	Richter	.....	D8/363
D559,227 S *	1/2008	Kim	.....	D14/155
D585,897 S *	2/2009	Carnevali	.....	D14/434
D654,054 S *	2/2012	Kohte	.....	F16M 11/041 D14/217
D682,278 S *	5/2013	Carnevali	.....	D14/434
D685,804 S *	7/2013	Richter	.....	D14/253
D711,322 S *	8/2014	McSweyn	.....	D13/144
D731,973 S *	6/2015	Liu	.....	D13/144

D777,675 S *	1/2017	Miller	.....	D13/144
2011/0255226 A1 *	10/2011	Duncan Seil	.....	B60R 11/02 361/679.01
2014/0054338 A1 *	2/2014	Casagrande	.....	B60R 11/02 224/275

OTHER PUBLICATIONS

Amazon.com. Te Rich Cigarette Lighter Charger. Jun. 23, 2017. Date accessed: Jun. 14, 2018. [https://www.amazon.com/Te-Rich-Cigarette-Lighter-Charger-Lightning/dp/B071VR9LGD/ref=cm\\_cr\\_arp\\_d\\_product\\_top?ie=UTF8](https://www.amazon.com/Te-Rich-Cigarette-Lighter-Charger-Lightning/dp/B071VR9LGD/ref=cm_cr_arp_d_product_top?ie=UTF8).\*

\* cited by examiner

*Primary Examiner* — Derrick E Holland  
*Assistant Examiner* — Jennifer O King  
(74) *Attorney, Agent, or Firm* — W&K IP

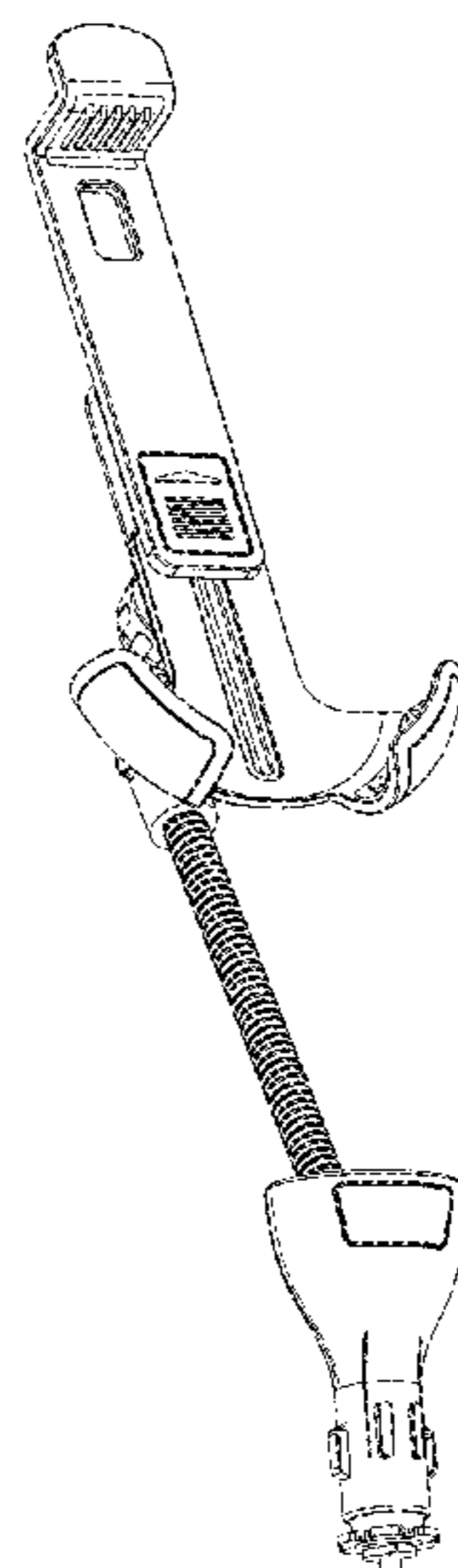
(57) **CLAIM**

The ornamental design for an on-board charging mobile phone holder, as shown and described.

**DESCRIPTION**

FIG. 1 is a first perspective view showing an on-board charging mobile phone holder showing my new design; FIG. 2 is a second perspective view thereof; FIG. 3 is a third perspective view thereof; FIG. 4 is a fourth perspective view thereof; FIG. 5 is a fifth perspective view thereof; FIG. 6 is a front view thereof; FIG. 7 is a back view thereof; FIG. 8 is a left side view thereof; FIG. 9 is a right side view thereof; FIG. 10 is a top plan view thereof; and, FIG. 11 is a bottom plan view thereof. The broken lines shown represent portions of the on-board charging mobile phone holder that form no part of the claimed design.

**1 Claim, 11 Drawing Sheets**



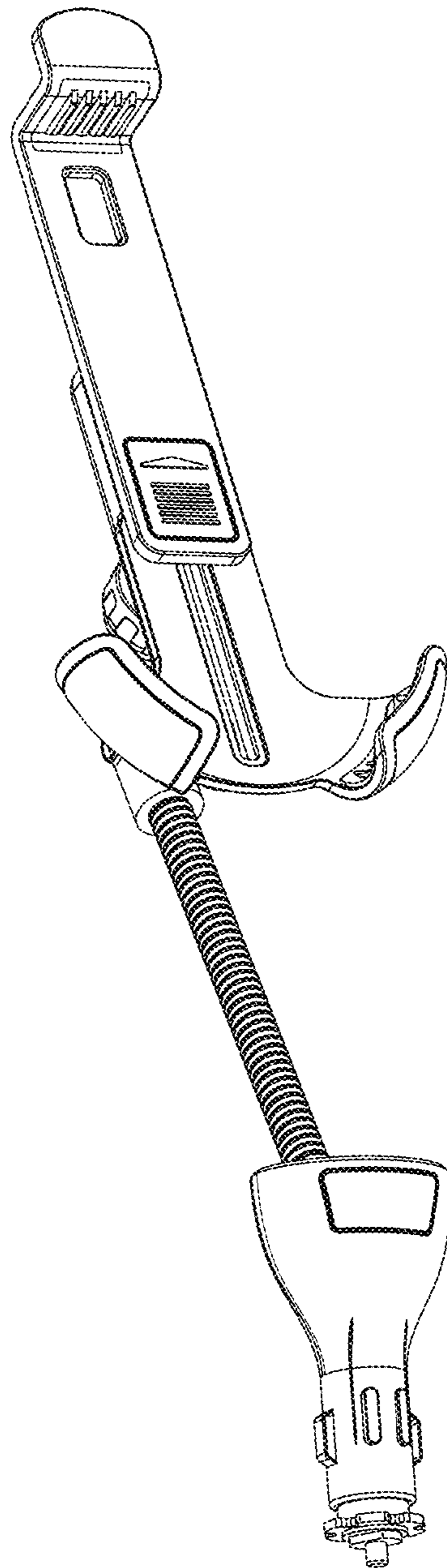


FIG. 1

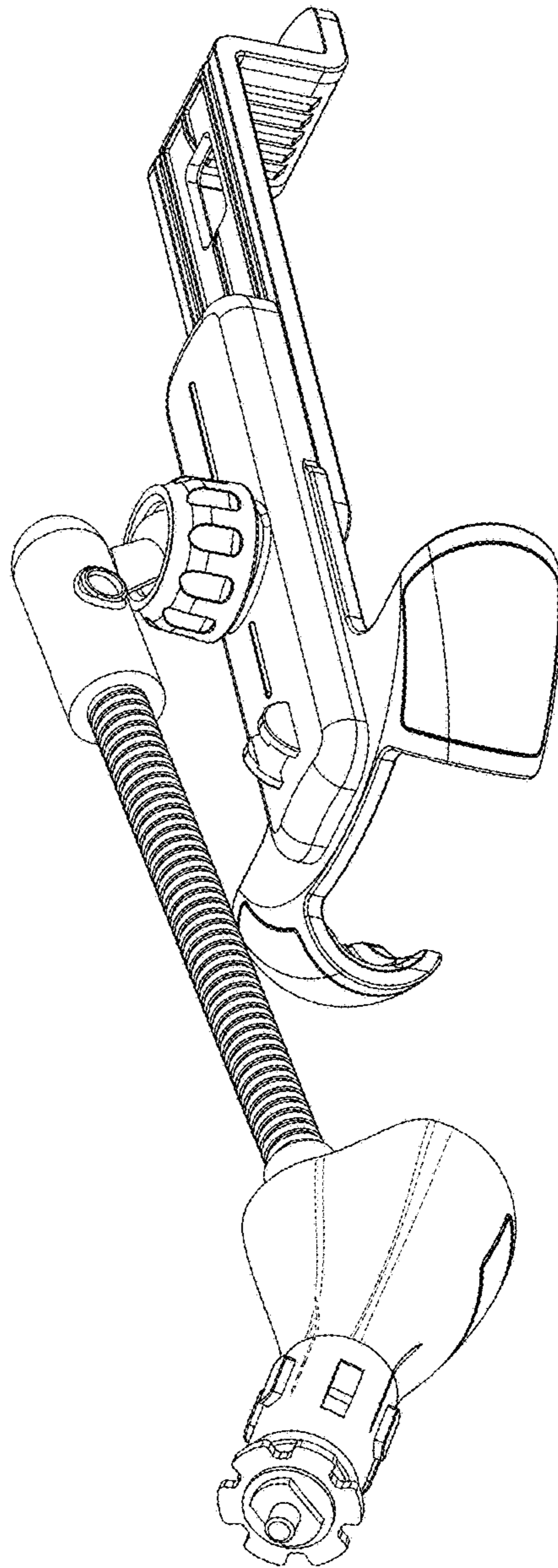


FIG. 2

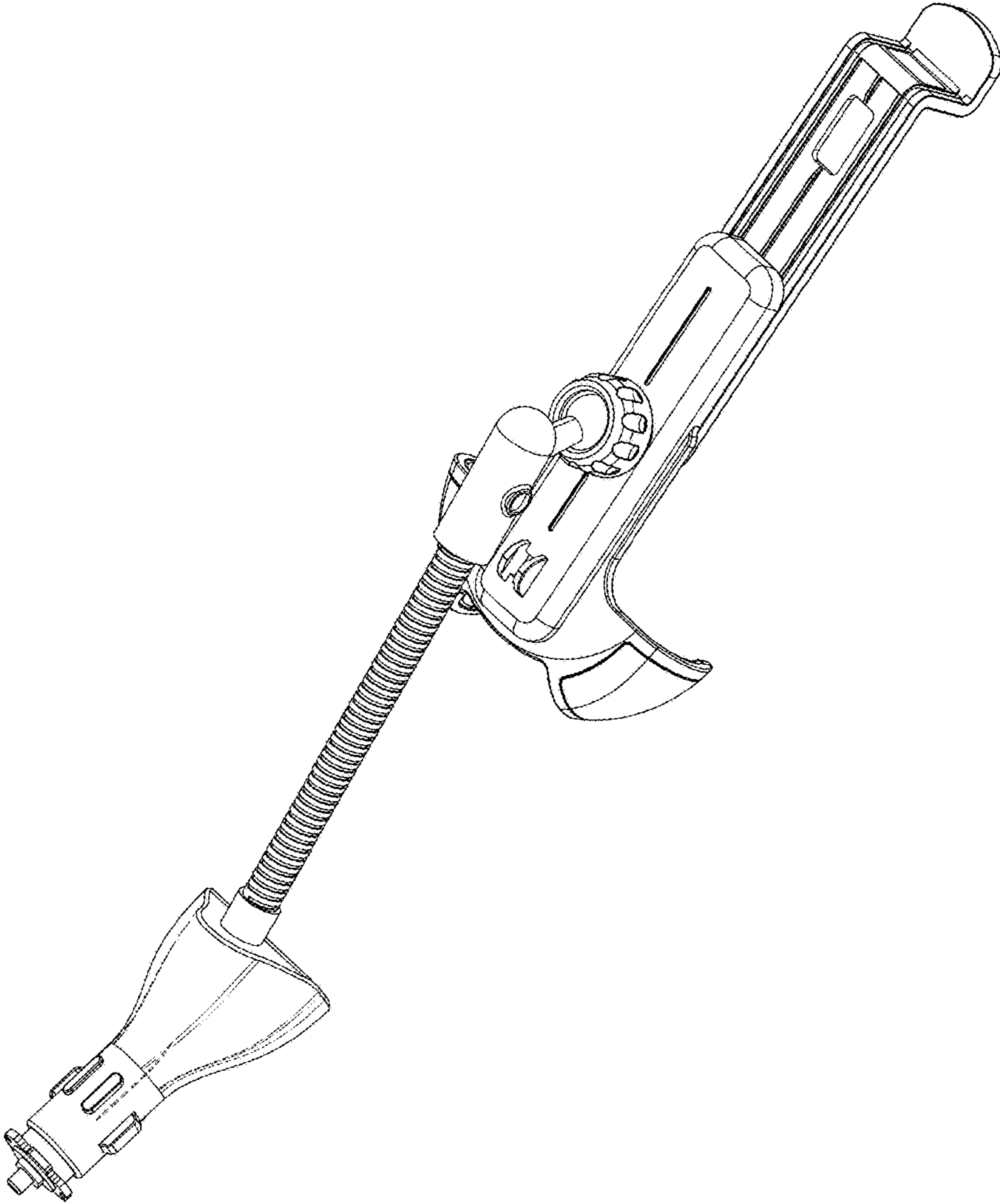


FIG. 3

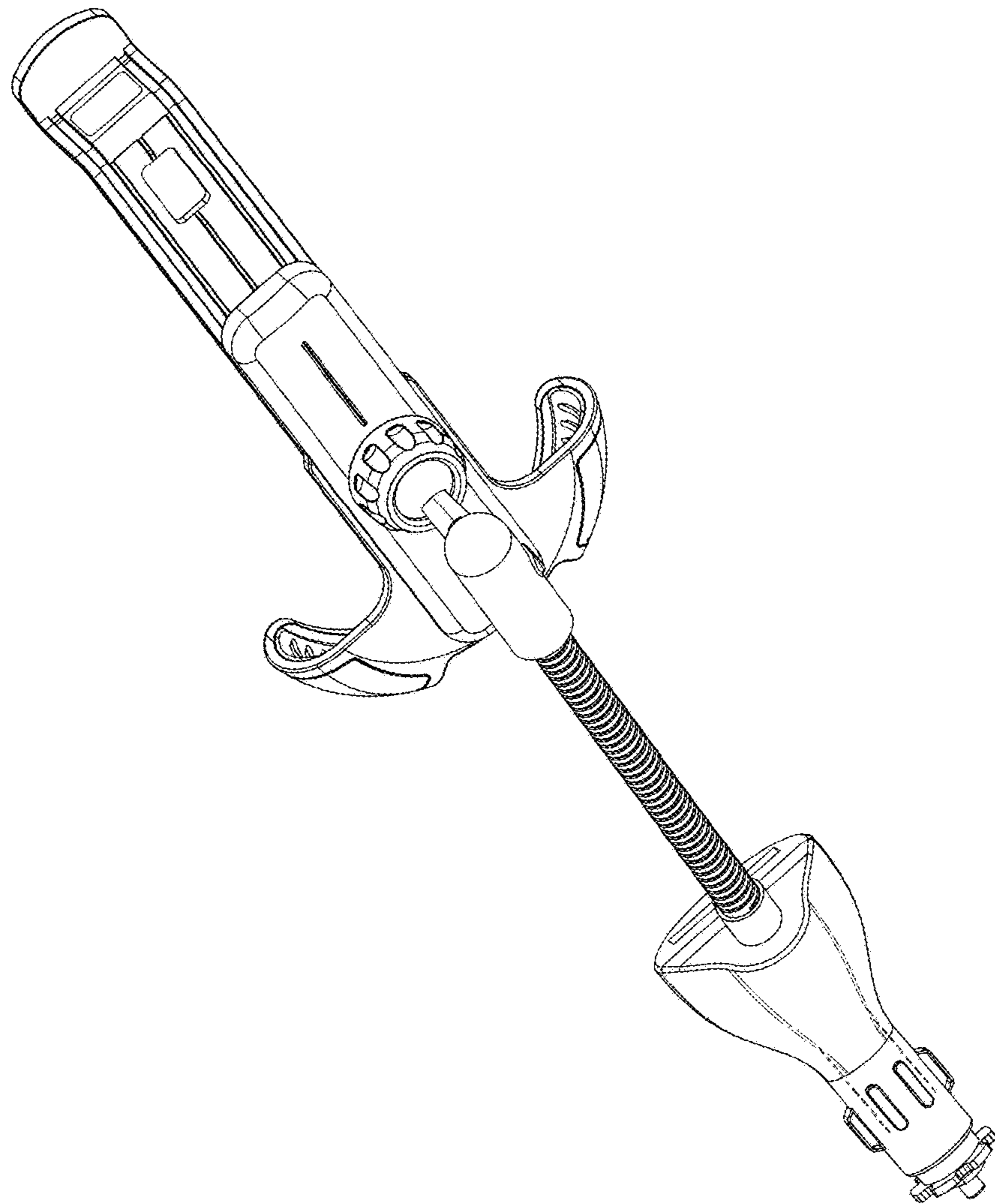


FIG. 4

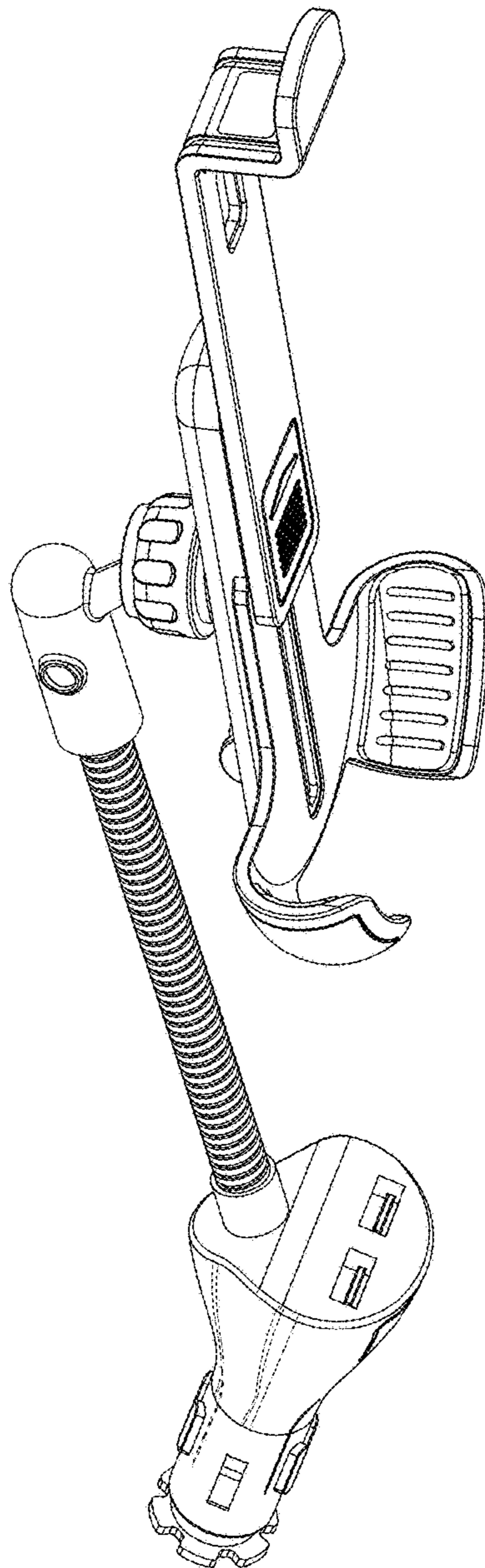


FIG. 5

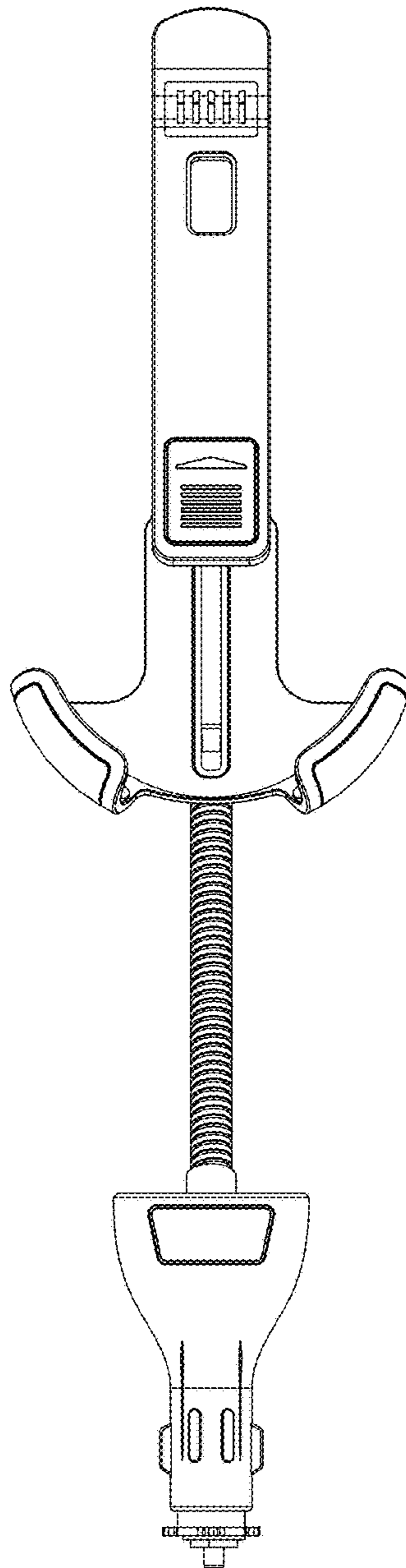


FIG. 6

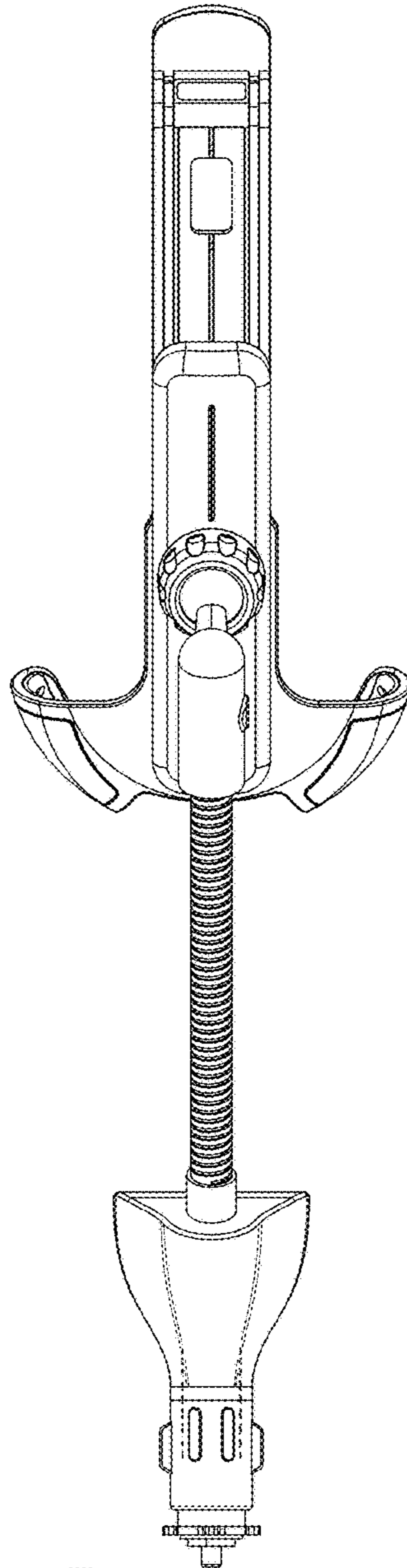


FIG. 7



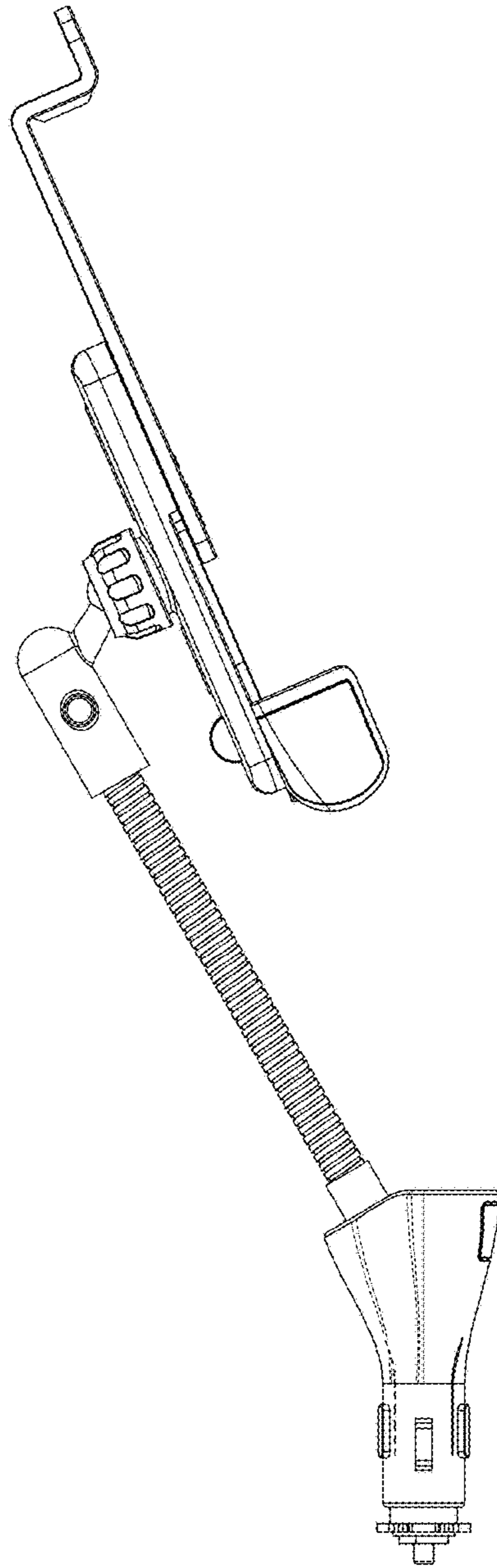


FIG. 8

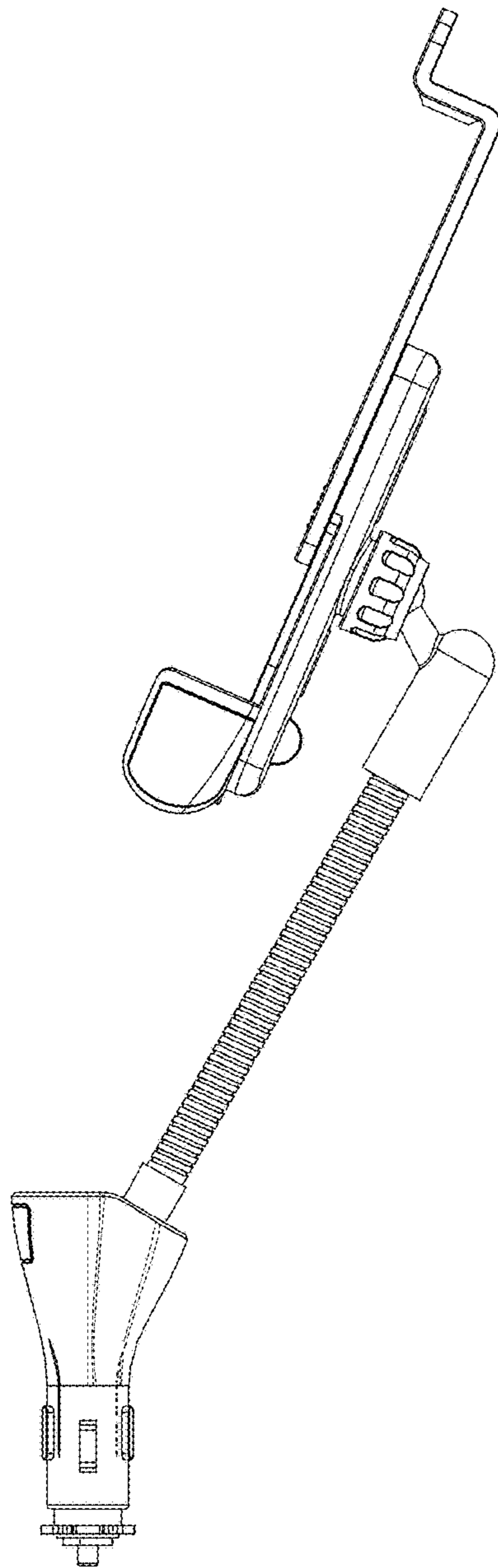


FIG. 9

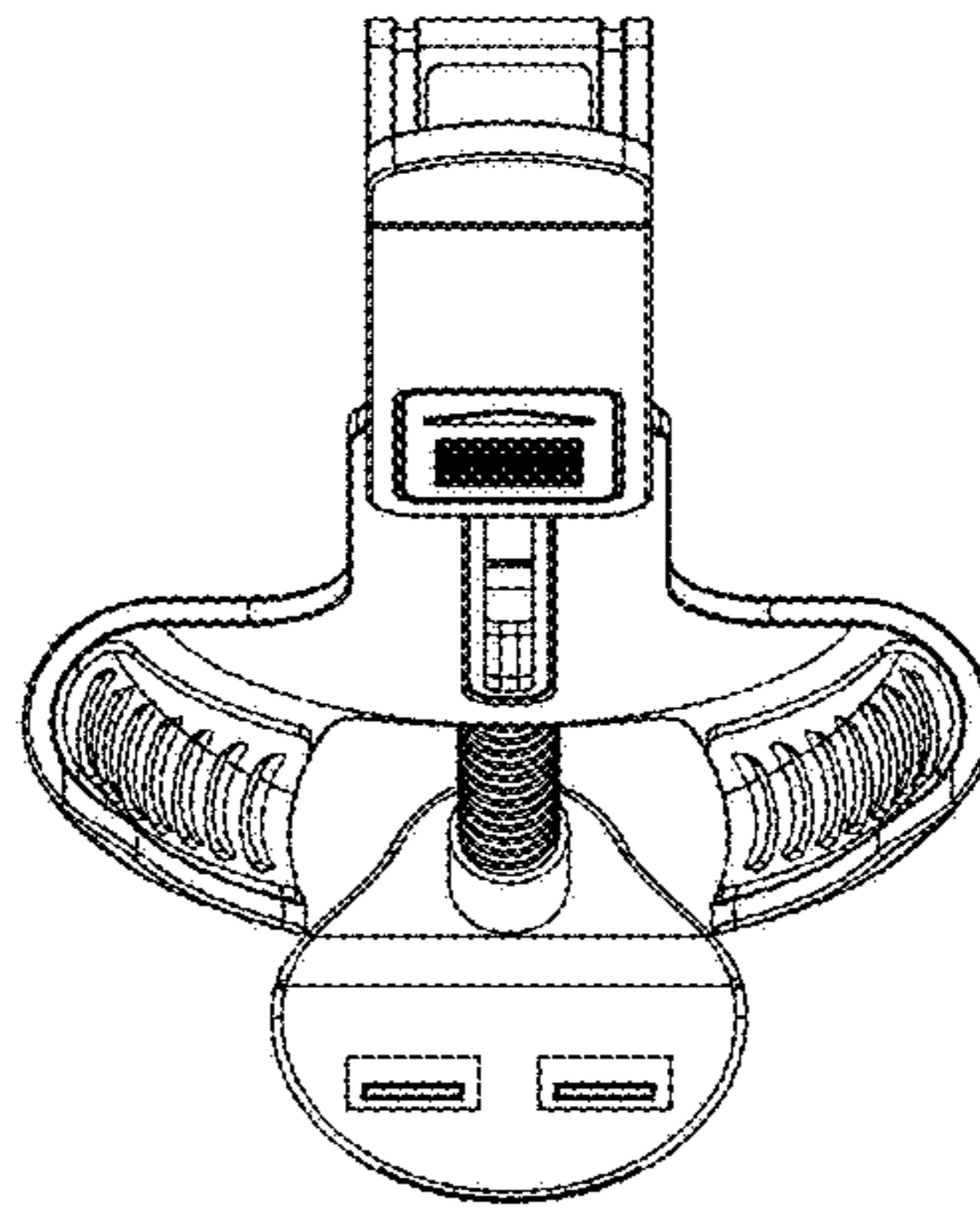


FIG. 10

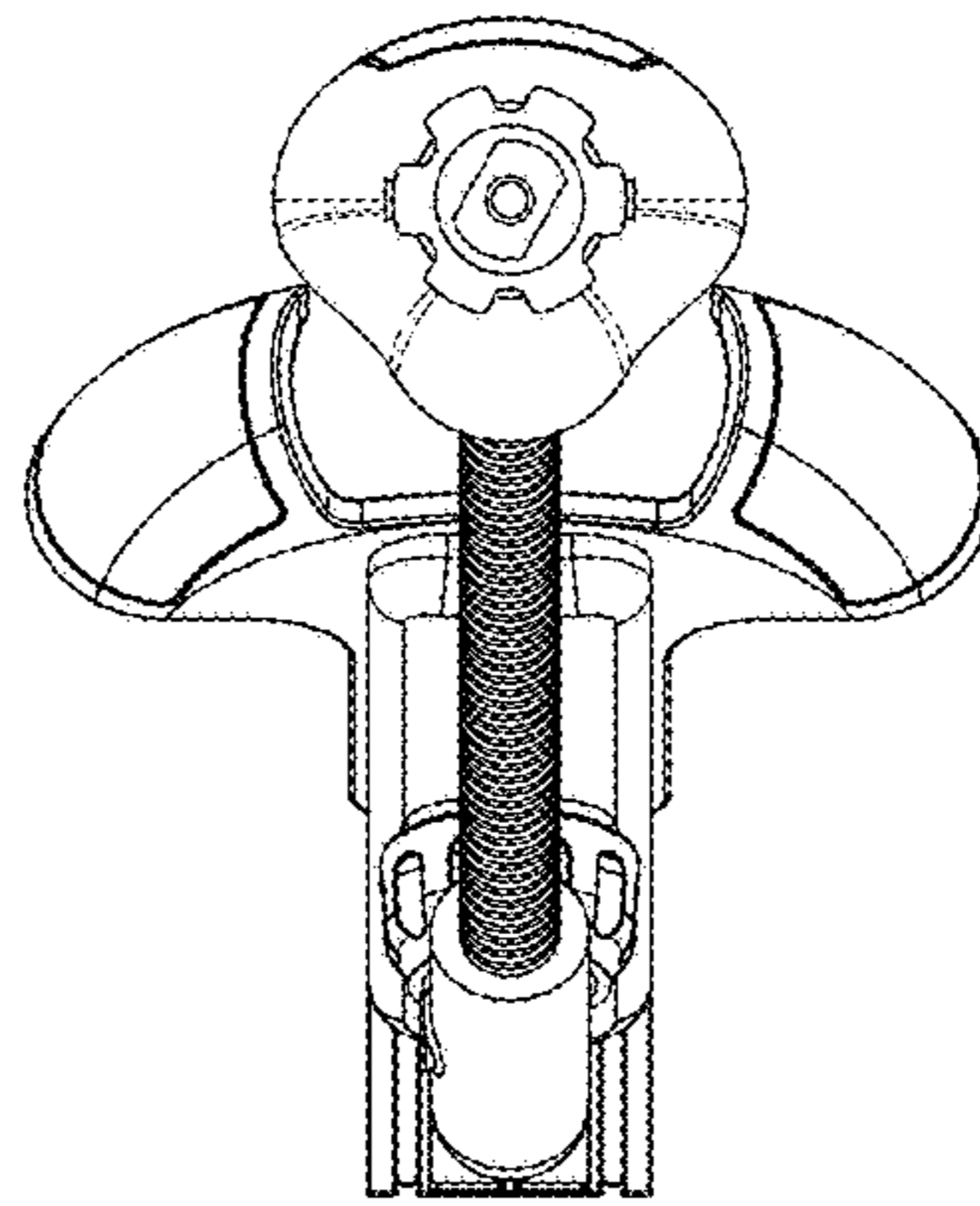


FIG. 11