



US00D859314S

(12) **United States Design Patent**
Jhun et al.

(10) **Patent No.:** **US D859,314 S**

(45) **Date of Patent:** **** Sep. 10, 2019**

(54) **TABLETOP MEDIA CENTER WITH INTERCHANGEABLE MODULES**

(71) Applicant: **Crestron Electronics, Inc.**, Rockleigh, NJ (US)

(72) Inventors: **Sae Jhun**, New York, NY (US); **Wendy Feldstein**, Old Tappan, NJ (US)

(73) Assignee: **Crestron Electronics, Inc.**, Rockleigh, NJ (US)

(**) Term: **15 Years**

(21) Appl. No.: **29/636,862**

(22) Filed: **Feb. 12, 2018**

(51) **LOC (12) Cl.** **13-03**

(52) **U.S. Cl.**

USPC **D13/139.4**; D14/134; D6/642

(58) **Field of Classification Search**

USPC D13/107-108, 139.4-139.6, 162-164;
D14/304-305, 307-308, 311, 434;
D6/641-642, 655, 691.1; D9/422;
D12/423

CPC A47B 21/06; A47B 2021/066; A47B
2200/0082

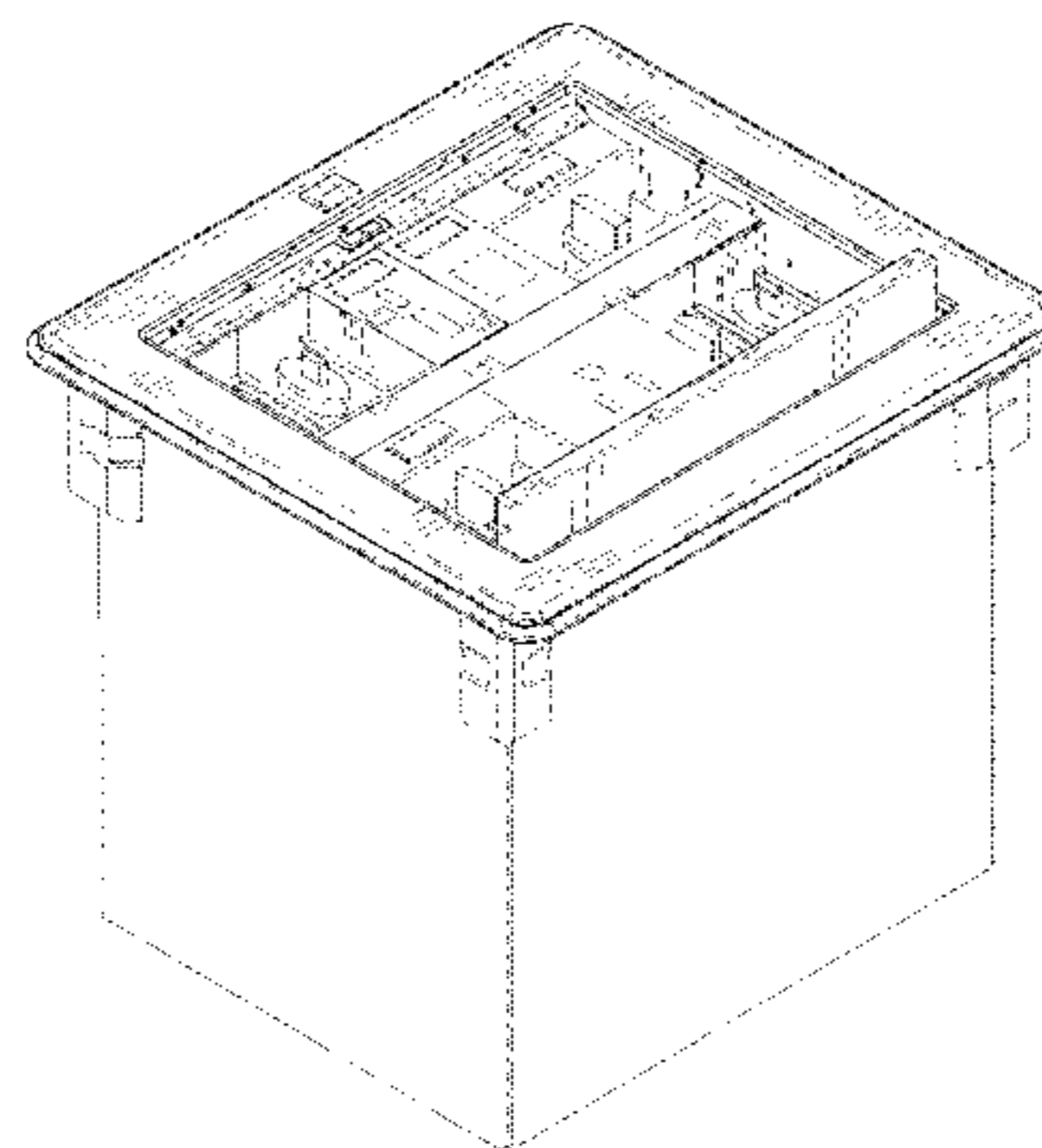
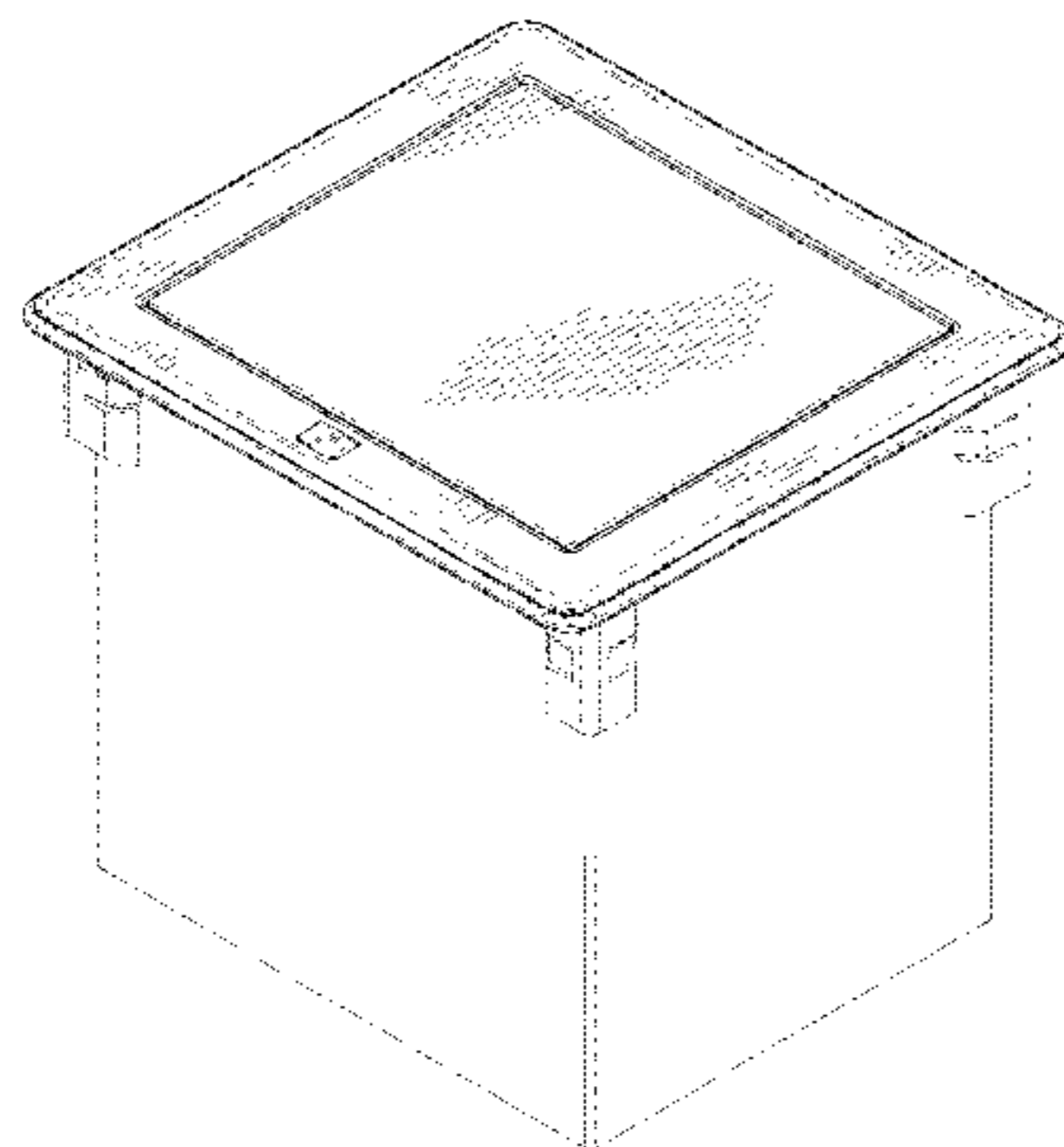
See application file for complete search history.

(56) **References Cited**

U.S. PATENT DOCUMENTS

D176,176 S *	11/1955	Dahlgren	D6/655.23
D224,637 S *	8/1972	Ball	D6/641
D275,913 S *	10/1984	Mulligan	D6/301
D289,474 S *	4/1987	Underwood	D6/642
D314,555 S *	2/1991	Brown, Jr.	D13/164
D329,944 S *	10/1992	Longtin	D12/423
D353,363 S *	12/1994	Toby	D13/139.4
D392,254 S *	3/1998	Gevaert	D13/139.4
D421,961 S *	3/2000	Muller	D13/139.4
6,046,405 A	4/2000	Obermann et al.	
6,162,071 A	12/2000	Muller	
D460,736 S	7/2002	Pincek et al.	
D465,201 S	11/2002	Gershfeld	
D473,525 S	4/2003	Pincek et al.	

6,556,678 B1 *	4/2003	Boyce	A47B 21/00 379/454
6,802,577 B2	10/2004	Gershfeld	
D503,296 S *	3/2005	Mason	D6/642
6,942,501 B2	9/2005	Kissinger et al.	
D512,964 S	12/2005	Kissinger et al.	
D513,493 S	1/2006	Feldstein et al.	
D513,909 S *	1/2006	Bibi	D6/691.1
D516,513 S	3/2006	Kissinger et al.	
D526,961 S	8/2006	Kissinger et al.	
D537,039 S	2/2007	Pincek	
D537,785 S	3/2007	Pincek	
D553,306 S *	10/2007	Hansen	D13/139.4
D556,139 S *	11/2007	Gershfeld	D13/139.4
7,312,393 B2	12/2007	McCarthy et al.	
D569,863 S	5/2008	Feldstein et al.	
7,414,193 B1	8/2008	Le	
7,541,539 B2	6/2009	Le	
7,667,145 B2	2/2010	Dinh et al.	
D626,542 S	11/2010	Libman et al.	
D628,097 S	11/2010	Libman et al.	
D628,098 S	11/2010	Libman et al.	
D628,099 S	11/2010	Libman et al.	
D638,314 S	5/2011	Libman et al.	
D638,315 S	5/2011	Libman et al.	
D639,680 S	6/2011	Libman et al.	
D639,681 S	6/2011	Rodriguez et al.	
D640,577 S	6/2011	Libman et al.	
D640,939 S	7/2011	Libman et al.	
D640,940 S	7/2011	Libman et al.	
7,989,710 B2	8/2011	Hansen et al.	
D650,784 S *	12/2011	Feldstein	D14/434
D657,315 S	4/2012	Feldstein et al.	
D660,237 S *	5/2012	Byrne	D13/139.4
D660,792 S *	5/2012	Inskeep	D13/104
D662,480 S *	6/2012	Daniel	D14/125
D664,050 S	7/2012	Rodriguez et al.	
D678,786 S	3/2013	Rodriguez et al.	
D685,329 S *	7/2013	Byrne	D13/139.4
D686,992 S	7/2013	Eisen	
D701,830 S *	4/2014	Edwards	D13/107
D707,178 S *	6/2014	Byrne	D13/139.4
D709,031 S *	7/2014	Byrne	D13/139.4
D709,832 S *	7/2014	Byrne	D13/139.4
D715,740 S *	10/2014	Byrne	D13/139.4
D718,711 S *	12/2014	Rabalais	D13/107
D718,721 S *	12/2014	Rader	D13/162
8,943,978 B2	2/2015	Soper et al.	
D734,729 S	7/2015	Chaloupecky et al.	
9,257,776 B2	2/2016	Kramer	
9,309,087 B2	4/2016	Laube et al.	
9,425,563 B2	8/2016	Laube et al.	
D766,610 S *	9/2016	Johnson	D6/406.1



9,553,413	B2	1/2017	Laube et al.	
D784,258	S *	4/2017	Vienna	D13/108
9,680,262	B2	6/2017	Laube et al.	
9,706,833	B2	7/2017	Newhouse et al.	
D839,200	S *	1/2019	Lee	D13/139.4
2002/0092664	A1 *	7/2002	Young	H02G 3/185 174/66
2003/0070592	A1	4/2003	Grasse et al.	
2005/0268823	A1 *	12/2005	Bakker	A47B 21/06 108/50.02
2008/0277134	A1 *	11/2008	Jolly	H02G 3/12 174/67
2009/0165679	A1	7/2009	Bakker et al.	
2014/0124641	A1 *	5/2014	Kassanoff	A47B 17/04 248/447
2014/0265753	A1	9/2014	Gershfeld et al.	
2014/0374531	A1	12/2014	Laube et al.	
2017/0093097	A1	3/2017	Laube et al.	
2017/0156490	A1 *	6/2017	Newhouse	A47B 21/06
2018/0242730	A1 *	8/2018	Gershfeld	A47B 21/06
2019/0148874	A1 *	5/2019	Sorrentino	H01R 13/5213

OTHER PUBLICATIONS

Furniture Integration, posted at AVolution AV, posting date Jul. 7, 2015. Site visited May 7, 2019. URL: (Year: 2015).*

AMX, HydraPort: Connecting the Perfect Meeting, Product Guide, Rev. V3 (Sep. 8, 2014), available at pdf.archiexpo.com/pdf/amx/hydraport/51274-177337.html.

Arthur Holm, Albiral Display Solutions SL, Catalog, EN2016-2017, available at www.arthurholm.com/wp-content/uploads/2017/03/AH_Catalogue_2017.pdf.

Bachmann Electrical Engenering Ltd., Facility Solutions, System solutions for Office, conference and meeting rooms, Jun. 2016, availble at genproel-el.gr/data/documents/2017.pdf.

Crestron, Crestron FlipTops, D4520-C_201410, 2014, available at www.crestron.com/downloads/pdf/product_brochures/crestron_fliptops_brochure.pdf.

Extron, Cable Cubby 202, 2014, available at www.extron.com/download/files/brochure/CC_202_Printable_A4.pdf.

Extron, Cable Cubby 500, 2014, available at www.extron.com/download/files/brochure/CC_500_Printable_A4.pdf.

Extron, Cable Cubby 700, 2014, available at www.extron.com/download/files/brochure/CC_700_Printable_A4.pdf.

Extron, Cable Cubby 1200, 2014, available at www.extron.com/download/files/brochure/CC_1200_Printable_letter_size.pdf.

Extron, Cable Cubby 1400, 2014, available at www.extron.com/download/files/brochure/CC_1400_Printable_letter_size.pdf.

Extron, Cable Cubby Series 2, Mar. 2016, 68-2604-01, REV. C, available at www.extron.com/download/files/brochure/cable_cubby_series_2_verA4.pdf.

Extron Catalog, AAP—Architectural Adapter Plates, 2012 Product Catalog, available at www.extron.com/download/files/general/aaps_12cat_en.pdf.

FSR Inc., T6 Flex, LIT1434A, 2015, available at fsrinc.com/documents/spec-sheet/9187-lit1434c-t6-flex-spec-sheet-pdf/file.

FSR Inc., Table Boxes, LIT1187H, 2014, available at www.novotech.com.mx/wp-content/uploads/2016/03/1187H-Table-Box-Brochure.pdf.

Herman Miller, Inc., Logic Power Access Solutions, 2015, available at www.hermanmiller.com/content/dam/hermanmiller/documents/product_literature/product_sheets/Logic_Power_Access_Solutions_product_sheet.pdf.

Extron Electronics, “Hideaway” Family Brochure, 2002.

Extron Electronics, Extron® Hideaway Series Brochure, 2002.

Kramer Electronics Ltd., K-Able/XL Box Cable Retractor, User Manual, P/N: 2900-300441 Rev 3, 2015, available at k.kramerav.com/downloads/manuals/k-able_xl_box_pdf.

Kindermann, MultiMedia connection sytems, 2014, available at www.kindermann.de/fileadmin/medien/printmedien/MultiMedia_connection_systems/GB/MultiMedia_connection_systems_GB.pdf.

Legrand, Wiremold® AVIP Series Device Plates, ED1670R3—Updated Jan. 2015, available at www.legrand.us/wiremold.aspx.

Legrand, Wiremold®, DEQUORUM™ Flip-Up Table Boxes, ED1755 0715, 2015, available at www.middleatlantic.com.

Legrand, Wiremold® Table Boxes, Table Boxes bring technology to the point-of-use, ED1706R5—Updated Mar. 2016 , available at www.legrand.us/wiremold.aspx.

Legrand, wiremold®, InteGreat™ A/V Table Box, ED1699R1 0913, 2013, available at www.legrand.us/wiremold.aspx.

Legrand, wiremold®, Meeting Room Solutions, ED1710, 2013, available at www.legrand.us/wiremold.aspx.

Legrand, wiremold® Table Boxes, ED1652R3—Updated Apr. 2016, available at www.legrand.us/wiremold.aspx.

Soltec, LCD-TFT Solutions, 2015, available at dvs.rs/wp-content/uploads/2017/07/ENGLISH-SOLTEC-CATALOGUE.pdf.

AMX, HPX-MSP-7, 8 Module Connection Port with 7" Panel, www.amx.com/en/products/hpx-msp-7.

* cited by examiner

Primary Examiner — Kevin K Rudzinski

Assistant Examiner — Kathleen L Jones

(74) Attorney, Agent, or Firm — Crestron Electronics, Inc.

(57) CLAIM

The ornamental design for a tabletop media center with interchangeable modules, as shown and described.

DESCRIPTION

FIG. 1 shows a front-top perspective view of a tabletop media center with interchangeable modules with the top cover in a closed position, according to a first embodiment. FIG. 2 shows a top view of the embodiment of FIG. 1 with the top cover in a closed position. FIG. 3 shows a front view of the embodiment of FIG. 1 with the top cover in a closed position. FIG. 4 shows a rear view of the embodiment of FIG. 1 with the top cover in a closed position. FIG. 5 shows a left side view of the embodiment of FIG. 1 with the top cover in a closed position. FIG. 6 shows a right side view of the embodiment of FIG. 1 with the top cover in a closed position. FIG. 7 shows a front-top perspective view of the embodiment of FIG. 1 with the top cover in an opened position exposing the interchangeable modules. FIG. 8 shows a rear-top perspective view of the embodiment of FIG. 1 with the top cover in an opened position exposing the interchangeable modules. FIG. 9 shows a top view of the embodiment of FIG. 1 with the top cover in an opened position exposing the interchangeable modules. FIG. 10 shows a front-top perspective view of a tabletop media center with interchangeable modules with the top cover in an opened position, according to a second embodiment, wherein the design with the top cover in a closed position is identical to the first embodiment shown in FIGS. 1-6. FIG. 11 shows a rear-top perspective view of the embodiment of FIG. 10 with the top cover in an opened position exposing the interchangeable modules; and, FIG. 12 shows a top view of the embodiment of FIG. 10 with the top cover in an opened position exposing the interchangeable modules.

The broken lines in the figures depict portions of the tabletop media center with interchangeable modules that form no part of the claimed design.

1 Claim, 12 Drawing Sheets

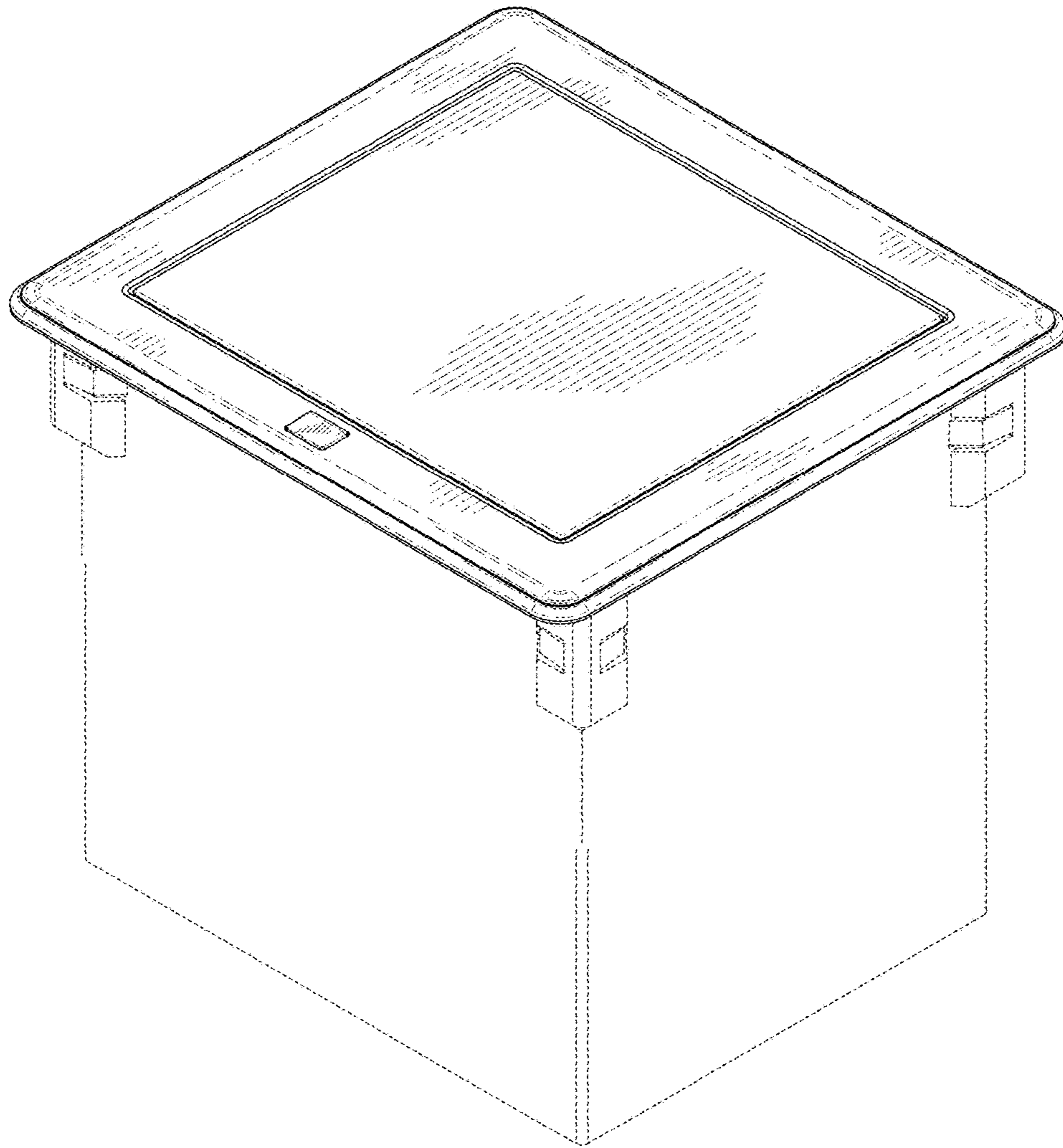


FIG. 1

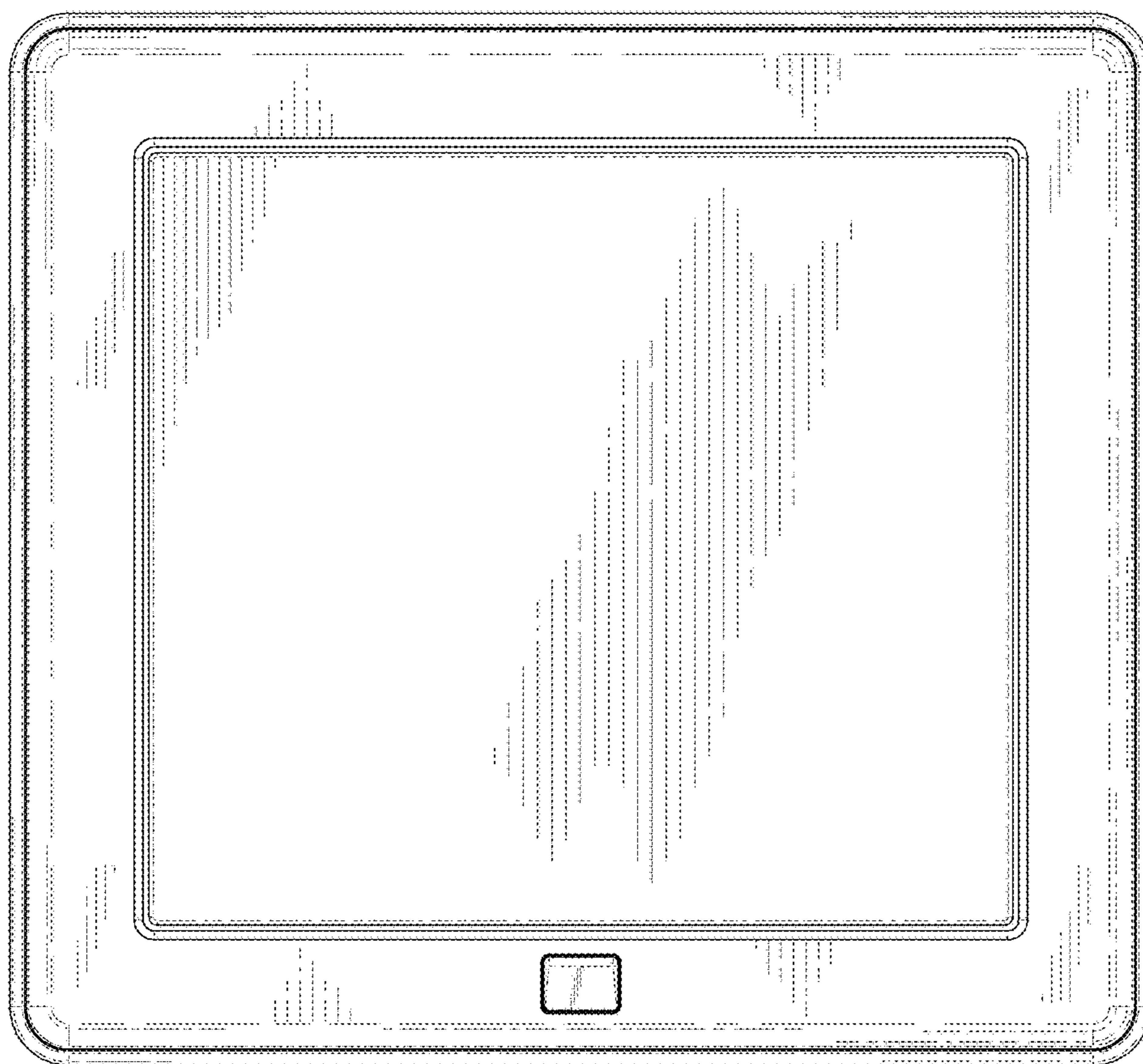


FIG. 2

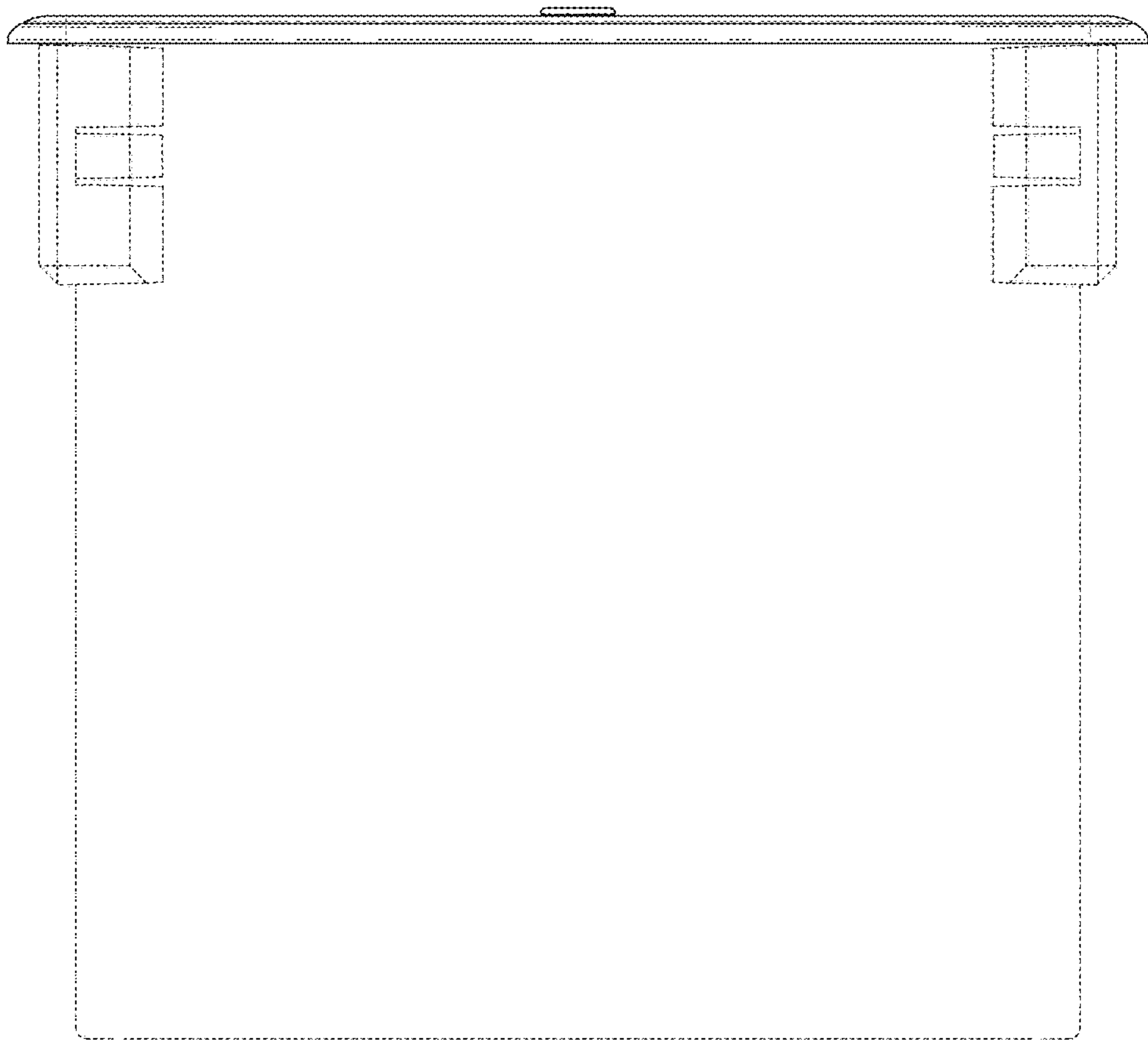


FIG. 3

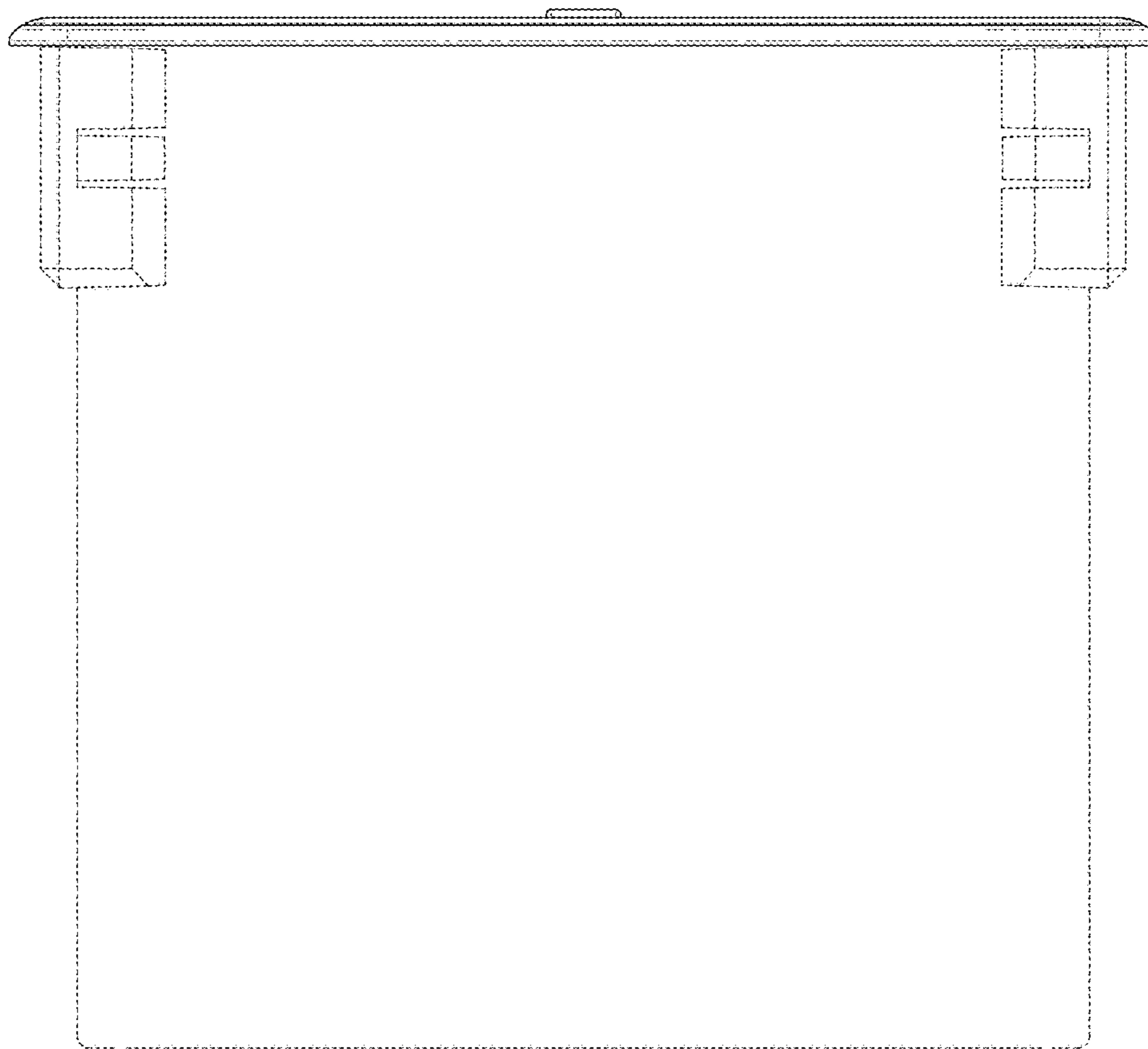


FIG. 4

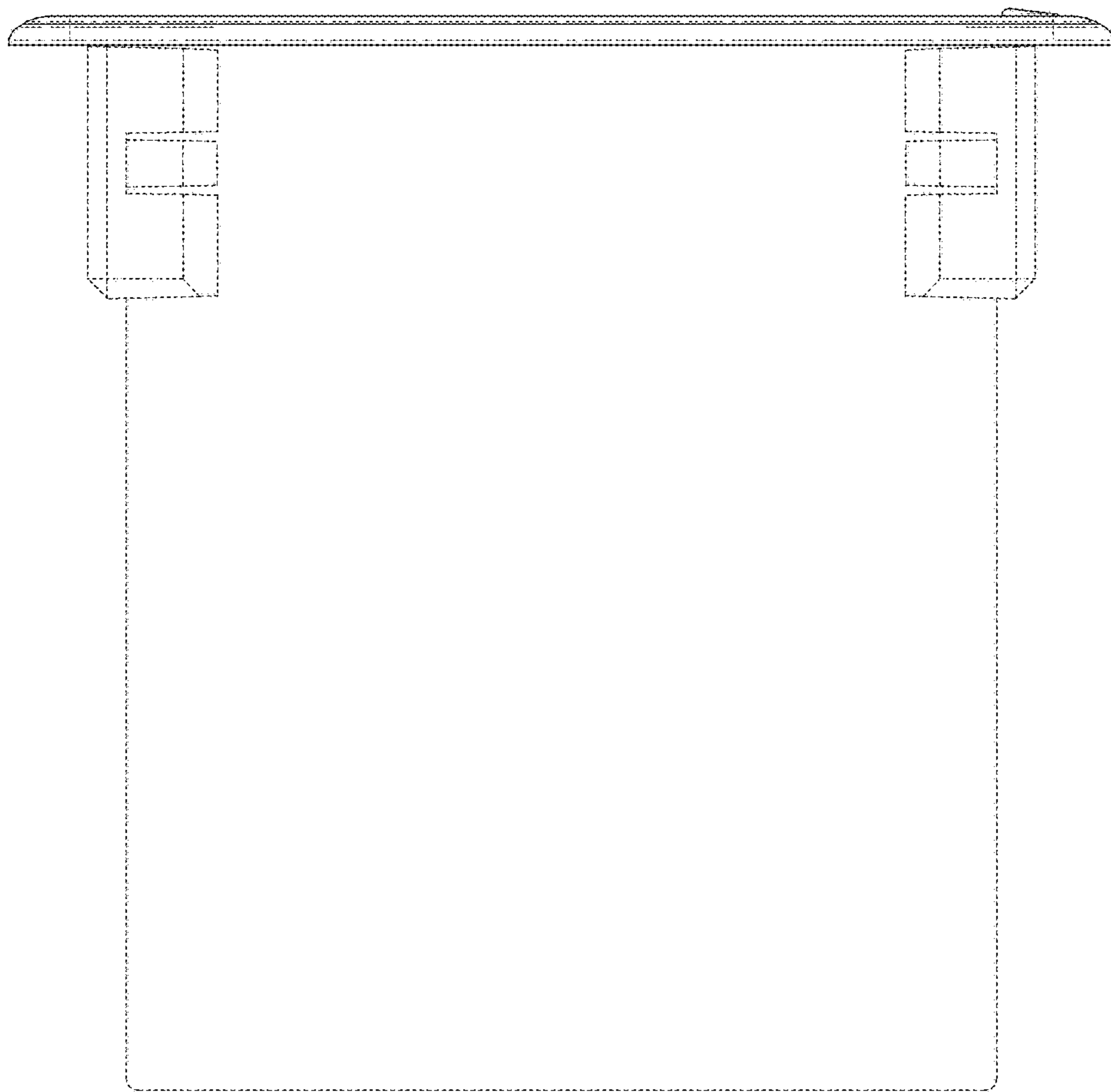


FIG. 5

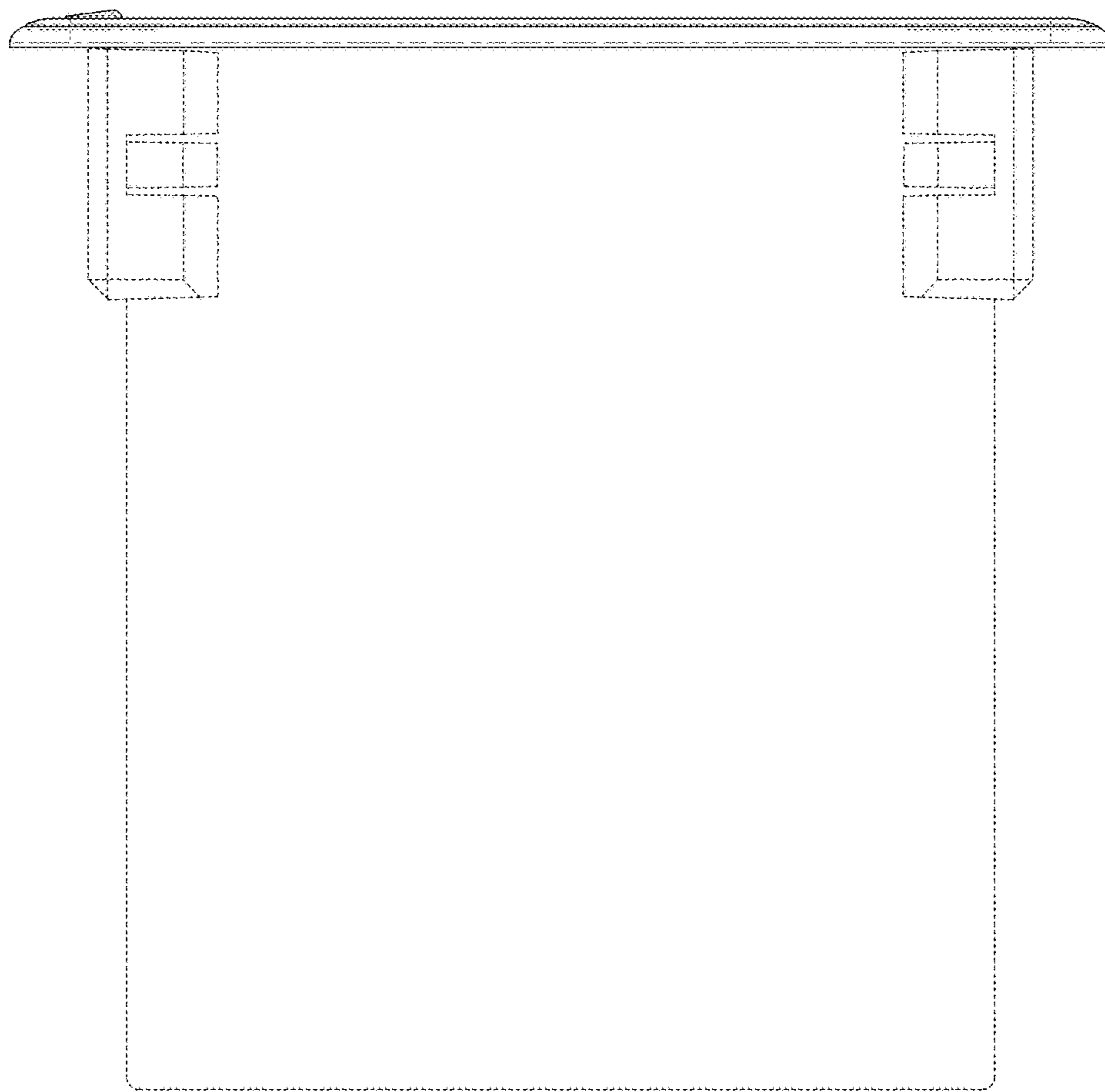


FIG. 6

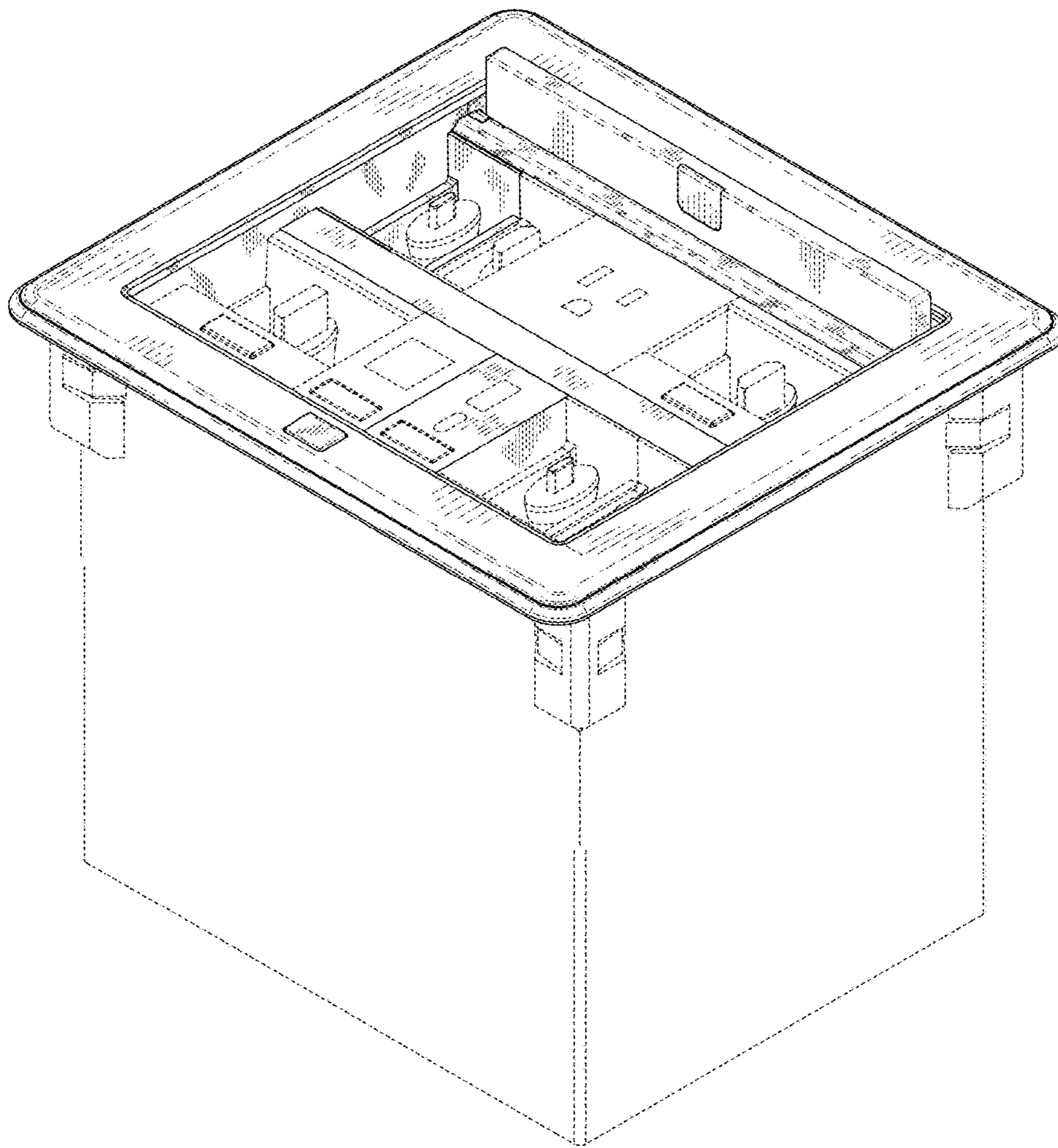


FIG. 7

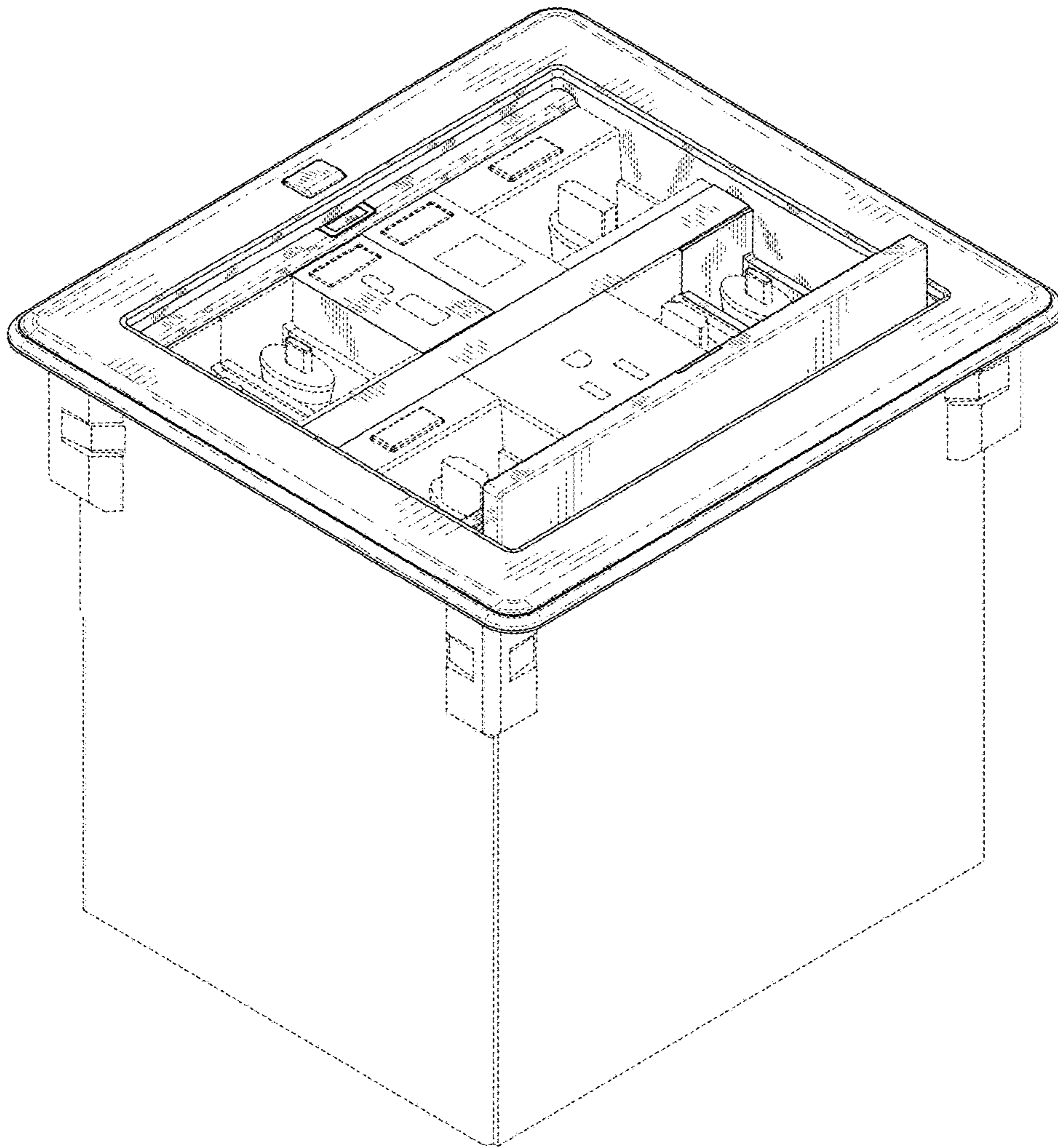


FIG. 8

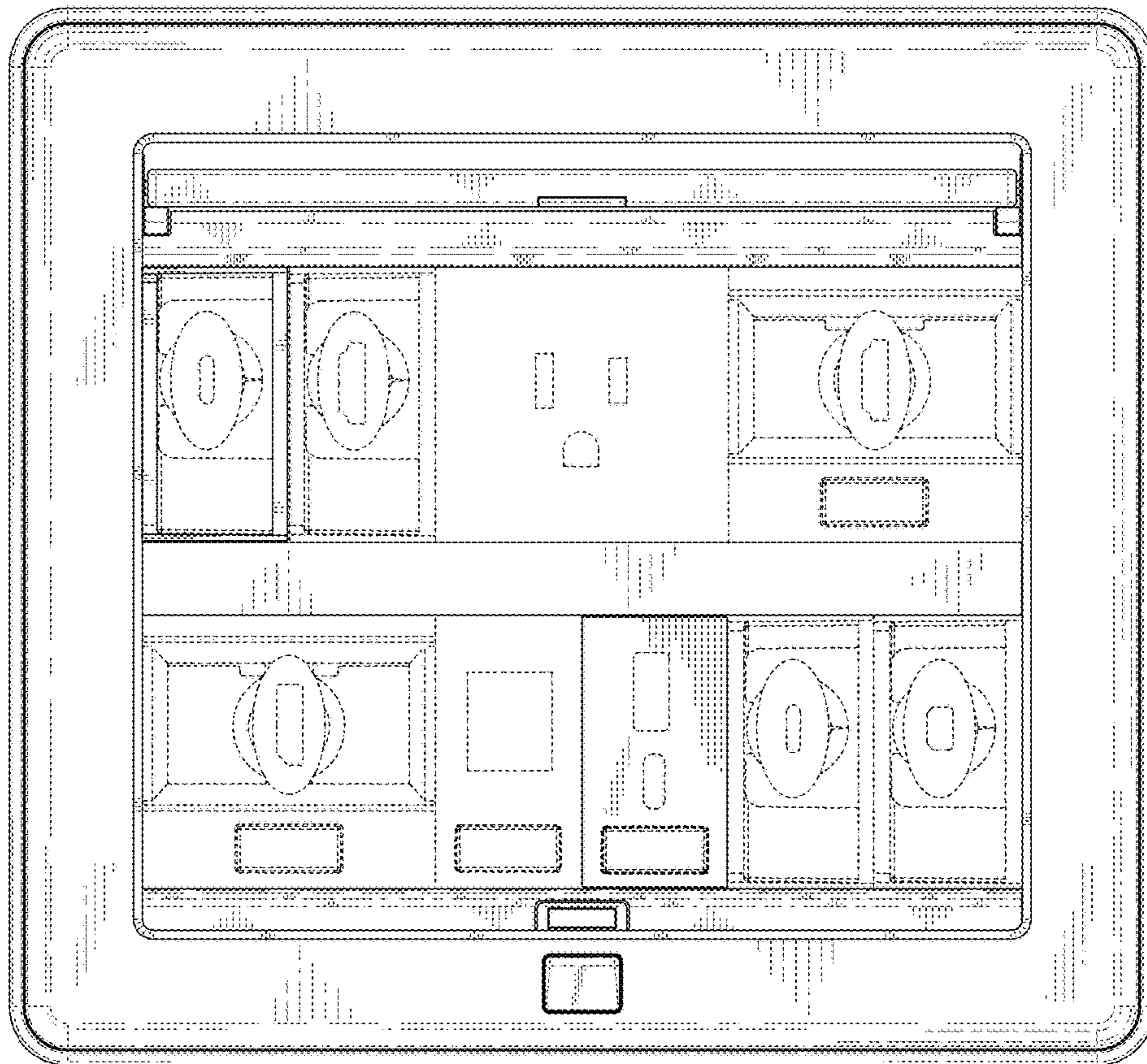


FIG. 9

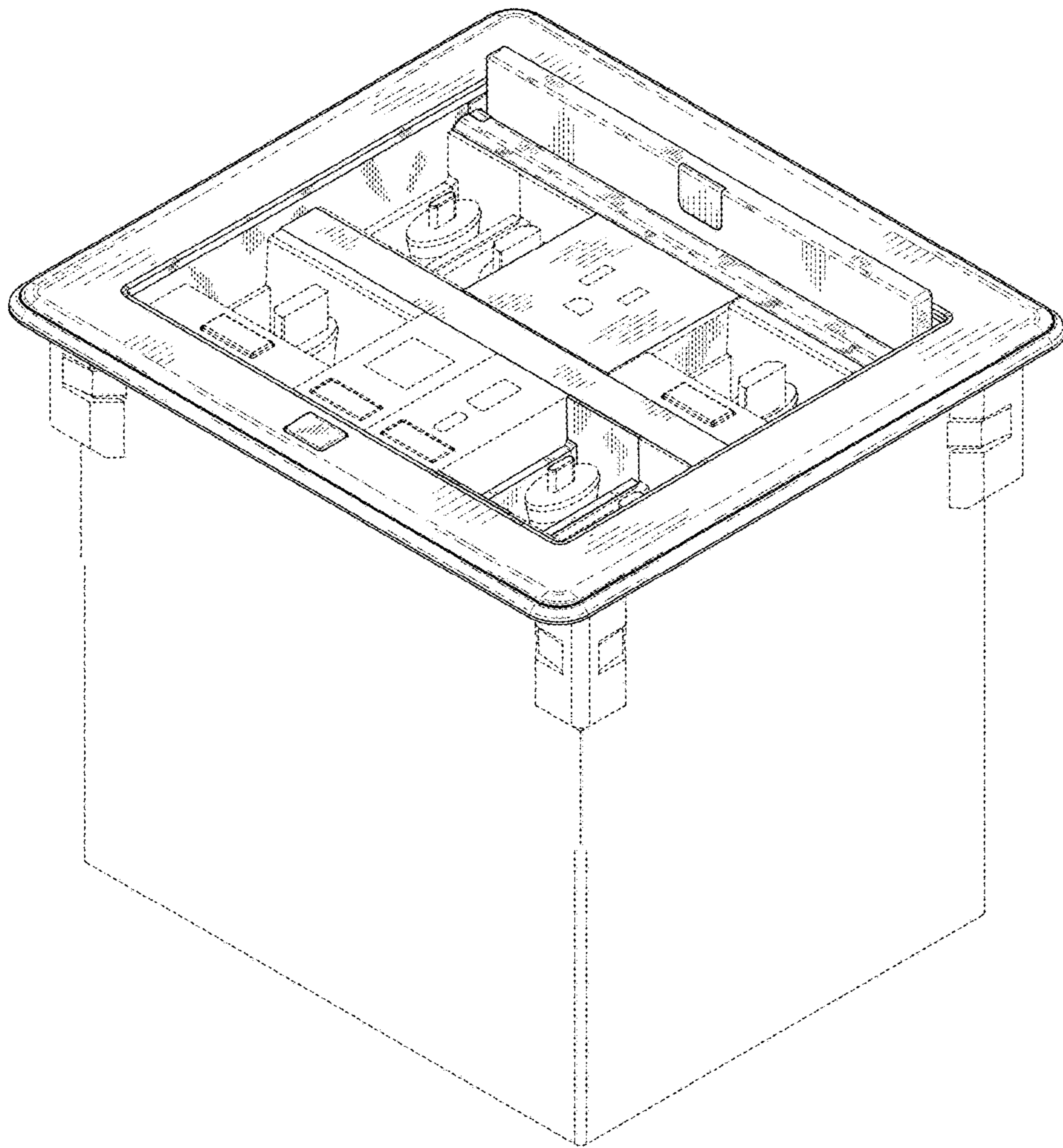


FIG. 10

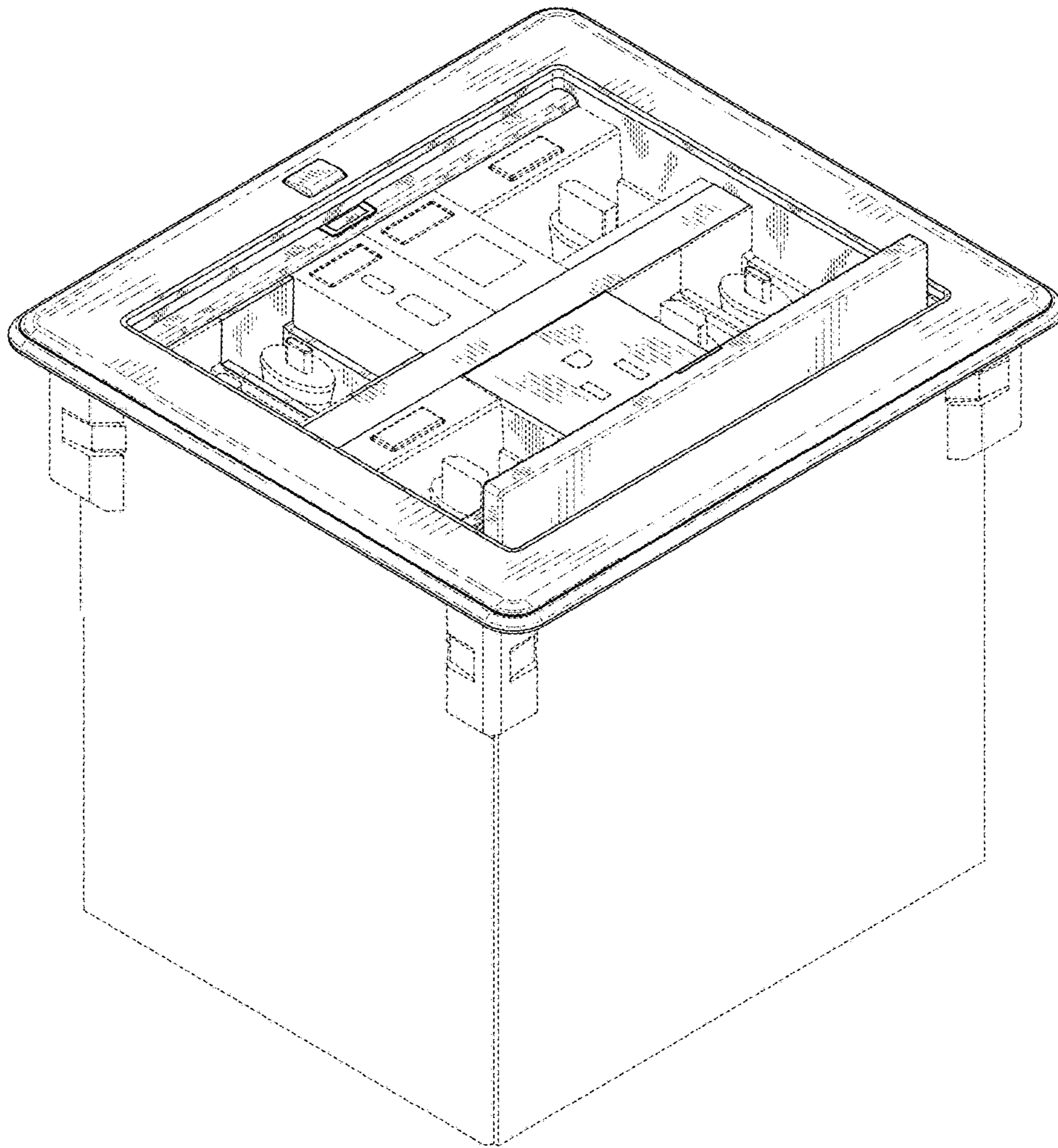


FIG. 11

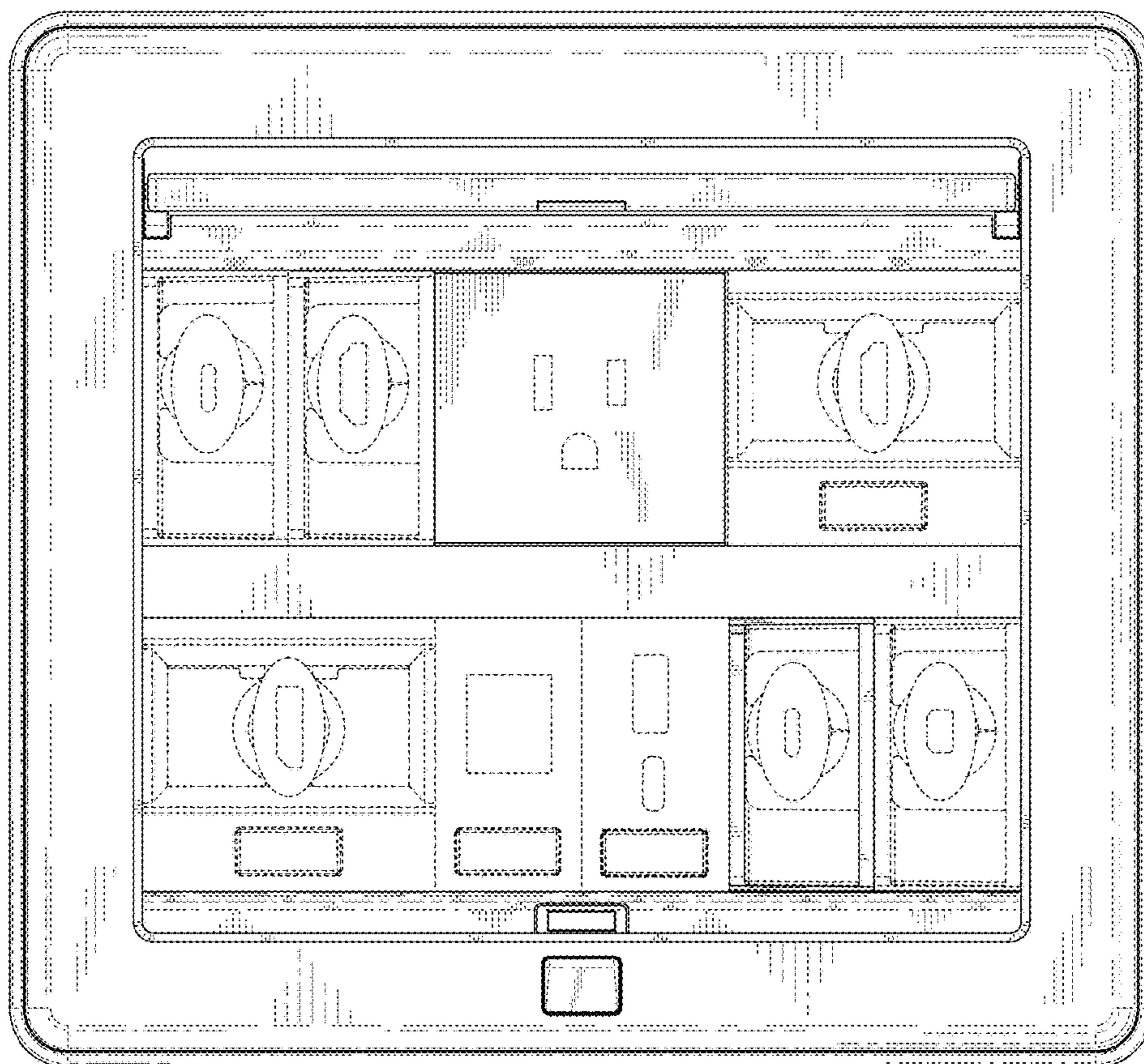


FIG. 12