



US00D859313S

(12) **United States Design Patent**  
**Jhun et al.**

(10) **Patent No.:** **US D859,313 S**  
(45) **Date of Patent:** **\*\* Sep. 10, 2019**

(54) **TABLETOP MEDIA CENTER WITH INTERCHANGEABLE MODULES**

(71) Applicant: **Crestron Electronics, Inc.**, Rockleigh, NJ (US)

(72) Inventors: **Sae Jhun**, New York, NY (US); **Wendy Feldstein**, Old Tappan, NJ (US)

(73) Assignee: **Crestron Electronics, Inc.**, Rockleigh, NJ (US)

(\*\*) Term: **15 Years**

(21) Appl. No.: **29/636,855**

(22) Filed: **Feb. 12, 2018**

(51) **LOC (12) Cl.** ..... **13-03**

(52) **U.S. Cl.**

USPC ..... **D13/139.4**; D14/134; D6/642

(58) **Field of Classification Search**

USPC ..... D13/107-108, 139.4-139.6, 162-164; D14/304-305, 307-308, 311, 434; D6/641-642, 655, 691.1; D9/422; D12/423

CPC ..... A47B 21/06; A47B 2021/066; A47B 2200/0082

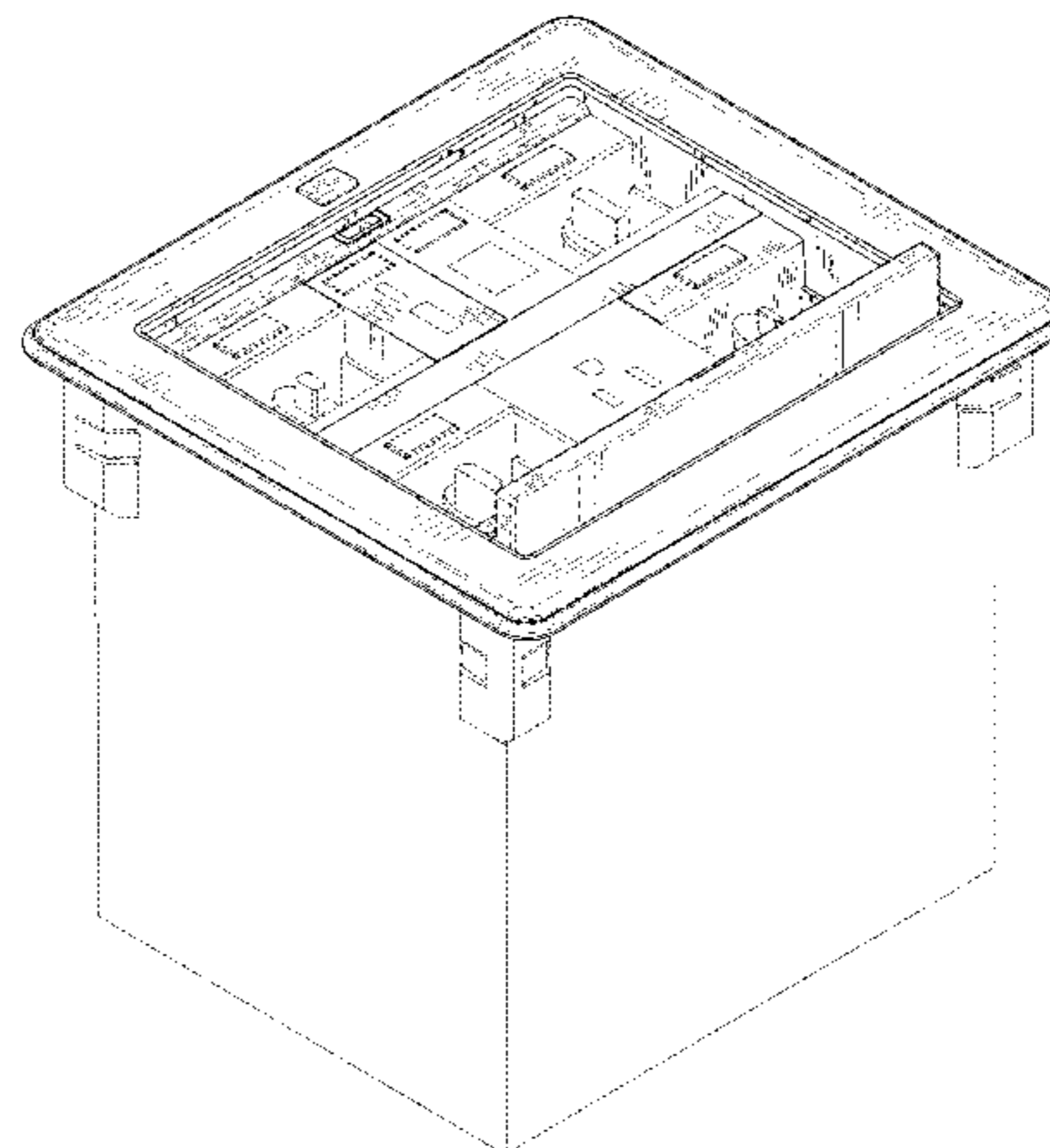
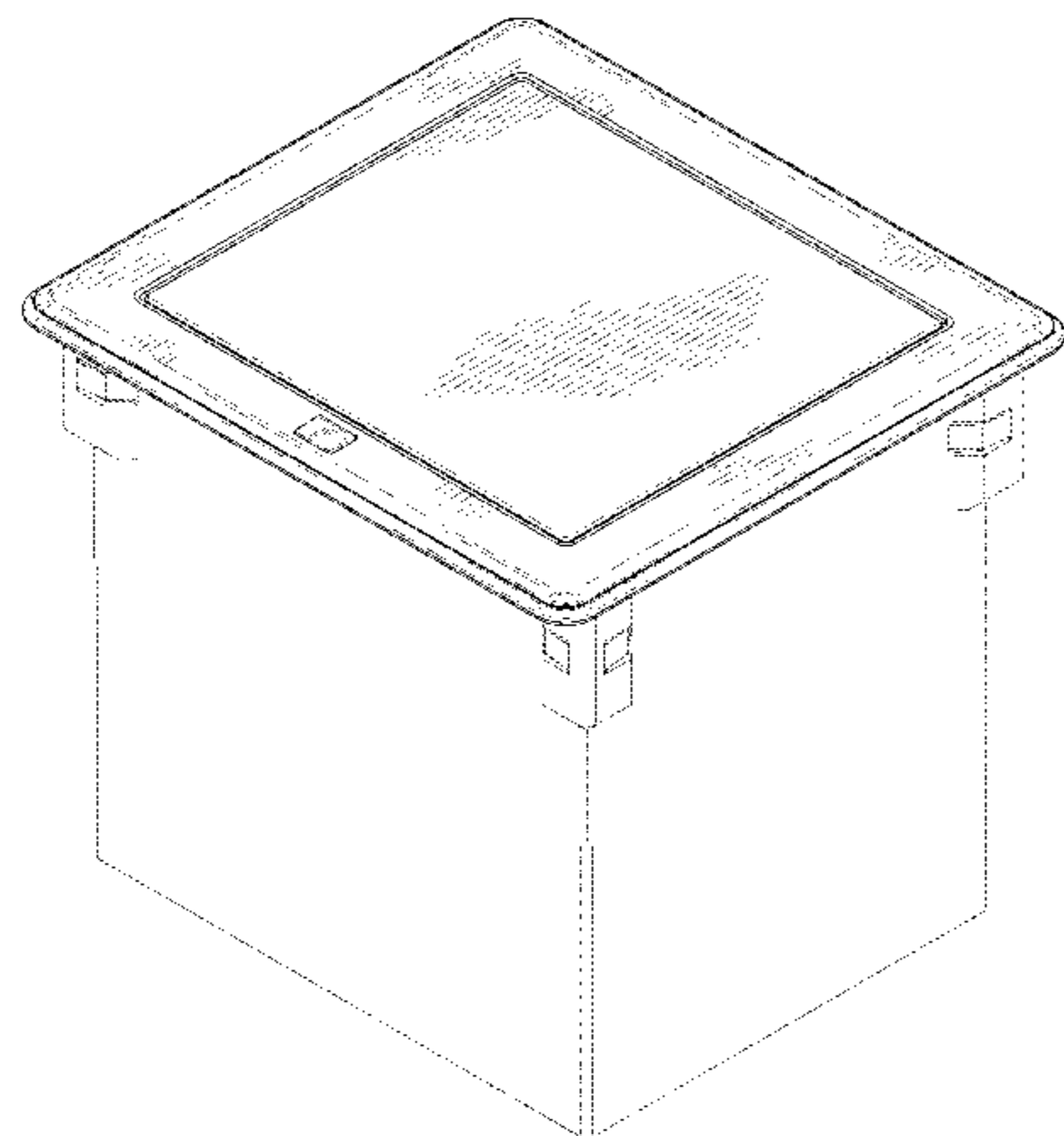
See application file for complete search history.

(56) **References Cited**

**U.S. PATENT DOCUMENTS**

D176,176 S \* 11/1955 Dahlgren ..... D6/655.23  
D224,637 S \* 8/1972 Ball ..... D6/641  
D275,913 S \* 10/1984 Mulligan ..... D6/301  
D289,474 S \* 4/1987 Underwood ..... D6/642  
D314,555 S \* 2/1991 Brown, Jr. .... D13/164  
D329,944 S \* 10/1992 Longtin ..... D12/423  
D353,363 S \* 12/1994 Toby ..... D13/139.4  
D392,254 S \* 3/1998 Gevaert ..... D13/139.4  
D421,961 S \* 3/2000 Muller ..... D13/139.4  
6,046,405 A 4/2000 Obermann et al.  
6,162,071 A 12/2000 Muller  
D460,736 S 7/2002 Pincek et al.  
D465,201 S 11/2002 Gershfeld  
D473,525 S 4/2003 Pincek et al.

6,556,678 B1 \* 4/2003 Boyce ..... A47B 21/00  
379/454  
6,802,577 B2 10/2004 Gershfeld  
D503,296 S \* 3/2005 Mason ..... D6/642  
6,942,501 B2 9/2005 Kissinger et al.  
D512,964 S 12/2005 Kissinger et al.  
D513,493 S 1/2006 Feldstein et al.  
D513,909 S \* 1/2006 Bibi ..... D6/691.1  
D516,513 S 3/2006 Kissinger et al.  
D526,961 S 8/2006 Kissinger et al.  
D537,039 S 2/2007 Pincek  
D537,785 S 3/2007 Pincek  
D553,306 S \* 10/2007 Hansen ..... D13/139.4  
D556,139 S \* 11/2007 Gershfeld ..... D13/139.4  
7,312,393 B2 12/2007 McCarthy et al.  
D569,863 S 5/2008 Feldstein et al.  
7,414,193 B1 8/2008 Le  
7,541,539 B2 6/2009 Le  
7,667,145 B2 2/2010 Dinh et al.  
D626,542 S 11/2010 Libman et al.  
D628,097 S 11/2010 Libman et al.  
D628,098 S 11/2010 Libman et al.  
D628,099 S 11/2010 Libman et al.  
D638,314 S 5/2011 Libman et al.  
D638,315 S 5/2011 Libman et al.  
D639,680 S 6/2011 Libman et al.  
D639,681 S 6/2011 Rodriguez et al.  
D640,577 S 6/2011 Libman et al.  
D640,939 S 7/2011 Libman et al.  
D640,940 S 7/2011 Libman et al.  
7,989,710 B2 8/2011 Hansen et al.  
D650,784 S \* 12/2011 Feldstein ..... D14/434  
D657,315 S 4/2012 Feldstein et al.  
D660,237 S \* 5/2012 Byrne ..... D13/139.4  
D660,792 S \* 5/2012 Inskeep ..... D13/104  
D662,480 S \* 6/2012 Daniel ..... D14/125  
D664,050 S 7/2012 Rodriguez et al.  
D678,786 S 3/2013 Rodriguez et al.  
D685,329 S \* 7/2013 Byrne ..... D13/139.4  
D686,992 S 7/2013 Eisen  
D701,830 S \* 4/2014 Edwards ..... D13/107  
D707,178 S \* 6/2014 Byrne ..... D13/139.4  
D709,031 S \* 7/2014 Byrne ..... D13/139.4  
D709,832 S \* 7/2014 Byrne ..... D13/139.4  
D715,740 S \* 10/2014 Byrne ..... D13/139.4  
D718,711 S \* 12/2014 Rabalais ..... D13/107  
D718,721 S \* 12/2014 Rader ..... D13/162  
8,943,978 B2 2/2015 Soper et al.  
D734,729 S 7/2015 Chaloupecky et al.  
9,257,776 B2 2/2016 Kramer  
9,309,087 B2 4/2016 Laube et al.  
9,425,563 B2 8/2016 Laube et al.  
D766,610 S \* 9/2016 Johnson ..... D6/406.1



9,553,413	B2	1/2017	Laube et al.	
D784,258	S *	4/2017	Vienna .....	D13/108
9,680,262	B2	6/2017	Laube et al.	
9,706,833	B2	7/2017	Newhouse et al.	
D839,200	S *	1/2019	Lee .....	D13/139.4
2002/0092664	A1 *	7/2002	Young .....	H02G 3/185 174/66
2003/0070592	A1	4/2003	Grasse et al.	
2005/0268823	A1 *	12/2005	Bakker .....	A47B 21/06 108/50.02
2008/0277134	A1 *	11/2008	Jolly .....	H02G 3/12 174/67
2009/0165679	A1	7/2009	Bakker et al.	
2014/0124641	A1 *	5/2014	Kassanoff .....	A47B 17/04 248/447
2014/0265753	A1	9/2014	Gershfeld et al.	
2014/0374531	A1	12/2014	Laube et al.	
2017/0093097	A1	3/2017	Laube et al.	
2017/0156490	A1 *	6/2017	Newhouse .....	A47B 21/06
2018/0242730	A1 *	8/2018	Gershfeld .....	A47B 21/06
2019/0148874	A1 *	5/2019	Sorrentino .....	H01R 13/5213

OTHER PUBLICATIONS

Furniture Integration, posted at AVolution AV, posting date Jul. 7, 2015. Site visited May 7, 2019. URL: <<http://web.archive.org/web/20150707213359/http://www.avolutionav.com/solutions/furniture-integration/>> (Year: 2015).\*

AMX, HydraPort: Connecting the Perfect Meeting, Product Guide, Rev. V3 (Sep. 8, 2014), available at [pdf.archiexp.com/pdf/amx/hydraport/51274-177337.html](http://pdf.archiexp.com/pdf/amx/hydraport/51274-177337.html).

Arthur Holm, Albiral Display Solutions SL, Catalog, EN2016-2017, available at [www.arthurholm.com/wp-content/uploads/2017/03/AH\\_Catalogue\\_2017.pdf](http://www.arthurholm.com/wp-content/uploads/2017/03/AH_Catalogue_2017.pdf).

Bachmann Electrical Engeneering Ltd., Facility Solutions, System solutions for Office, conference and meeting rooms, Jun. 2016, available at [genproel-el.gr/data/documents/2017.pdf](http://genproel-el.gr/data/documents/2017.pdf).

Crestron, Crestron FlipTops, D4520-C\_201410, 2014, available at [www.crestron.com/downloads/pdf/product\\_brochures/crestron\\_fliptops\\_brochure.pdf](http://www.crestron.com/downloads/pdf/product_brochures/crestron_fliptops_brochure.pdf).

Extron, Cable Cubby 202, 2014, available at [www.extron.com/download/files/brochure/CC\\_202\\_Printable\\_A4.pdf](http://www.extron.com/download/files/brochure/CC_202_Printable_A4.pdf).

Extron, Cable Cubby 500, 2014, available at [www.extron.com/download/files/brochure/CC\\_500\\_Printable\\_A4.pdf](http://www.extron.com/download/files/brochure/CC_500_Printable_A4.pdf).

Extron, Cable Cubby 700, 2014, available at [www.extron.com/download/files/brochure/CC\\_700\\_Printable\\_A4.pdf](http://www.extron.com/download/files/brochure/CC_700_Printable_A4.pdf).

Extron, Cable Cubby 1200, 2014, available at [www.extron.com/download/files/brochure/CC\\_200\\_Printable\\_letter\\_size.pdf](http://www.extron.com/download/files/brochure/CC_200_Printable_letter_size.pdf).

Extron, Cable Cubby 1400, 2014, available at [www.extron.com/download/files/brochure/CC\\_1400\\_Printable\\_letter\\_size.pdf](http://www.extron.com/download/files/brochure/CC_1400_Printable_letter_size.pdf).

Extron, Cable Cubby Series Mar. 2, 2016, 68-2604-01, REV. C, available at [www.extron.com/downloadifiles/brochure/cable\\_cubby\\_series\\_2\\_verA4.pdf](http://www.extron.com/downloadifiles/brochure/cable_cubby_series_2_verA4.pdf).

Extron Catalog, AAP—Architectural Adapter Plates, 2012 Product Catalog, available at [www.extron.com/download/files/general/aaps\\_12cat\\_en.pdf](http://www.extron.com/download/files/general/aaps_12cat_en.pdf).

FSR Inc., T6 FLEX, LIT1434A, 2015, available at [fsrinc.com/documents/spec-sheet/9187-lit1434c-t6-flex-spec-sheet-pdf/file](http://fsrinc.com/documents/spec-sheet/9187-lit1434c-t6-flex-spec-sheet-pdf/file).

FSR Inc., Table Boxes, LIT1187H, 2014, available at [www.novotech.com.mx/wp-content/uploads/2016/03/1187H-Table-Box-Brochure.pdf](http://www.novotech.com.mx/wp-content/uploads/2016/03/1187H-Table-Box-Brochure.pdf).

Herman Miller, Inc., Logic Power Access Solutions, 2015, available at [www.hermanmiller.com/content/dam/hermanmiller/documents/product\\_literature/product\\_sheets/Logic\\_Power\\_Access\\_Solutions\\_product\\_sheet.pdf](http://www.hermanmiller.com/content/dam/hermanmiller/documents/product_literature/product_sheets/Logic_Power_Access_Solutions_product_sheet.pdf).

Extron Electronics, “Hideaway” Family Brochure, 2002.

Extron Electronics, Extron® Hideaway Series Brochure, 2002.

Kramer Electronics Ltd., K—Able/XL Box Cable Retractor, User Manual, P/N: 2900-300441 Rev 3, 2015, available at [k.kramerav.com/downloads/manuals/k-able\\_xl\\_box.pdf](http://k.kramerav.com/downloads/manuals/k-able_xl_box.pdf).

Kindermann, MultiMedia connection systems, 2014, available at [www.kindermann.de/fileadmin/medien/printmedien/MultiMedia\\_connection\\_systems/GB/MultiMedia\\_connection\\_systems\\_GB.pdf](http://www.kindermann.de/fileadmin/medien/printmedien/MultiMedia_connection_systems/GB/MultiMedia_connection_systems_GB.pdf).

Legrand, Wiremold® AVIP Series Device Plates, ED1670R3—Updated Jan. 2015, available at [www.legrand.us/wiremold.aspx](http://www.legrand.us/wiremold.aspx).

Legrand, Wiremold®, DEQUORUM™ Flip-Up Table Boxes, ED1755 0715, 2015, available at [www.middleatlantic.com](http://www.middleatlantic.com).

Legrand, Wiremold® Table Boxes, Table Boxes bring technology to the point-of-use, ED1706R5—Updated Mar. 2016, available at [www.legrand.us/wiremold.aspx](http://www.legrand.us/wiremold.aspx).

Legrand, wiremold®, InteGreat™ A/V Table Box, ED1699R1 0913, 2013, available at [www.legrand.us/wiremold.aspx](http://www.legrand.us/wiremold.aspx).

Legrand, wiremold®, Meeting Room Solutions, ED1710, 2013, available at [www.legrand.us/wiremold.aspx](http://www.legrand.us/wiremold.aspx).

Legrand, wiremold® Table Boxes, ED1652R3—Updated Apr. 2016, available at [www.legrand.us/wiremold.aspx](http://www.legrand.us/wiremold.aspx).

Soltec, LCD-TFT Solutions, 2015, available at [dvs.rs/wp-content/uploads/2017/07/ENGLISH-SOLTEC-CATALOGUE.pdf](http://dvs.rs/wp-content/uploads/2017/07/ENGLISH-SOLTEC-CATALOGUE.pdf).

AMX, HPX-MSP-7, 8 Module Connection Port with 7" Panel, [www.amx.com/en/products/hpx-msp-7](http://www.amx.com/en/products/hpx-msp-7).

\* cited by examiner

Primary Examiner — Kevin K Rudzinski

Assistant Examiner — Kathleen L Jones

(74) Attorney, Agent, or Firm — Crestron Electronics, Inc.

(57)

CLAIM

The ornamental design for a tabletop media center with interchangeable modules, as shown and described.

DESCRIPTION

FIG. 1 shows a front-top perspective view of a tabletop media center with interchangeable modules with the top cover in a closed position, according to a first embodiment. FIG. 2 shows a top view of the embodiment of FIG. 1 with the top cover in a closed position.

FIG. 3 shows a front view of the embodiment of FIG. 1 with the top cover in a closed position.

FIG. 4 shows a rear view of the embodiment of FIG. 1 with the top cover in a closed position.

FIG. 5 shows a left side view of the embodiment of FIG. 1 with the top cover in a closed position.

FIG. 6 shows a right side view of the embodiment of FIG. 1 with the top cover in a closed position.

FIG. 7 shows a front-top perspective view of the embodiment of FIG. 1 with the top cover in an opened position exposing the interchangeable modules.

FIG. 8 shows a rear-top perspective view of the embodiment of FIG. 1 with the top cover in an opened position exposing the interchangeable modules.

FIG. 9 shows a top view of the embodiment of FIG. 1 with the top cover in an opened position exposing the interchangeable modules.

FIG. 10 shows a front-top perspective view of a tabletop media center with interchangeable modules with the top cover in an opened position, according to a second embodiment, wherein the design with the top cover in a closed position is identical to the first embodiment shown in FIGS. 1-6.

FIG. 11 shows a rear-top perspective view of the embodiment of FIG. 10 with the top cover in an opened position exposing the interchangeable modules; and,

FIG. 12 shows a top view of the embodiment of FIG. 10 with the top cover in an opened position exposing the interchangeable modules.

The broken lines in the figures depict portions of the tabletop media center with interchangeable modules that form no part of the claimed design.

**1 Claim, 12 Drawing Sheets**

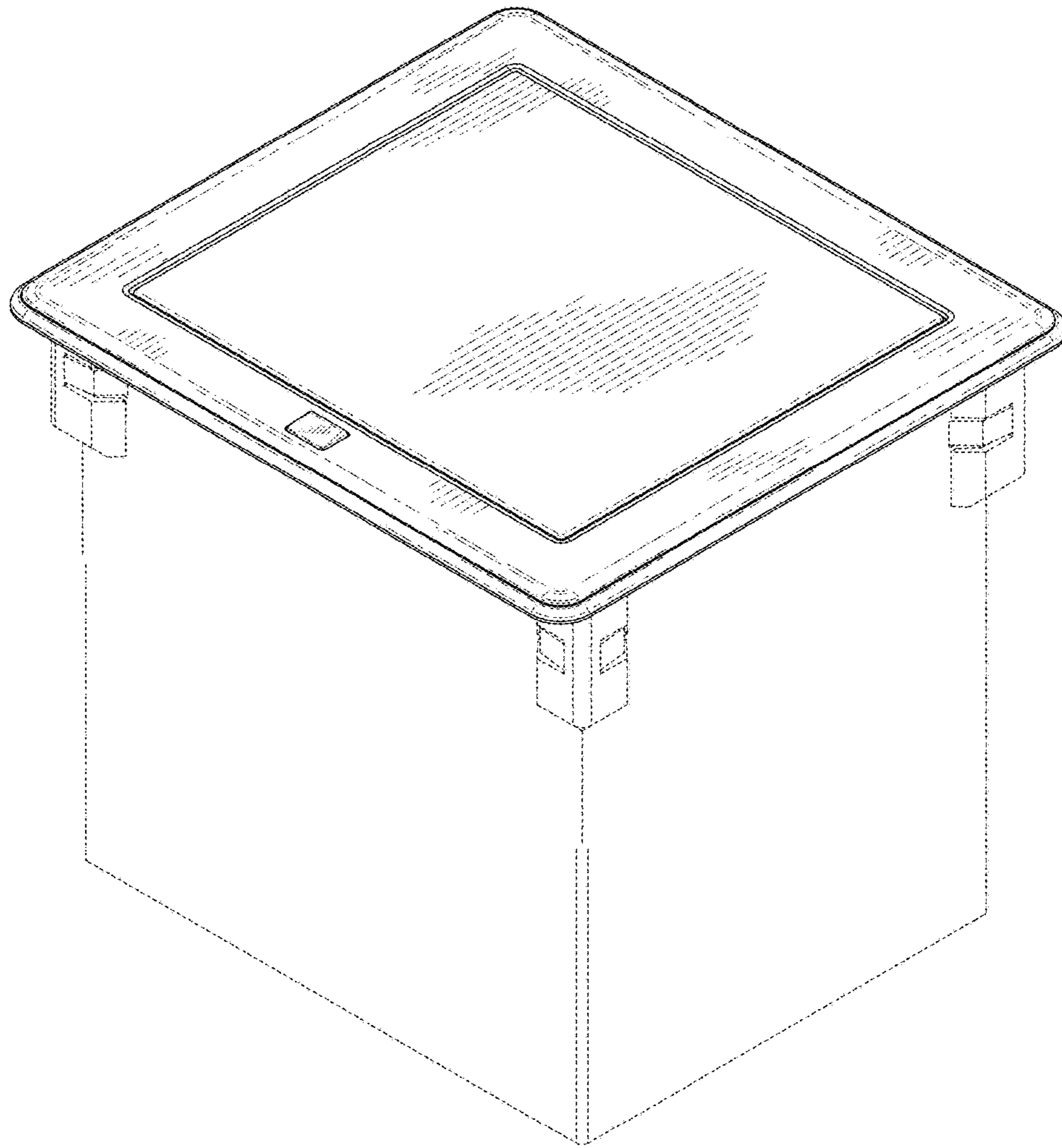


FIG. 1

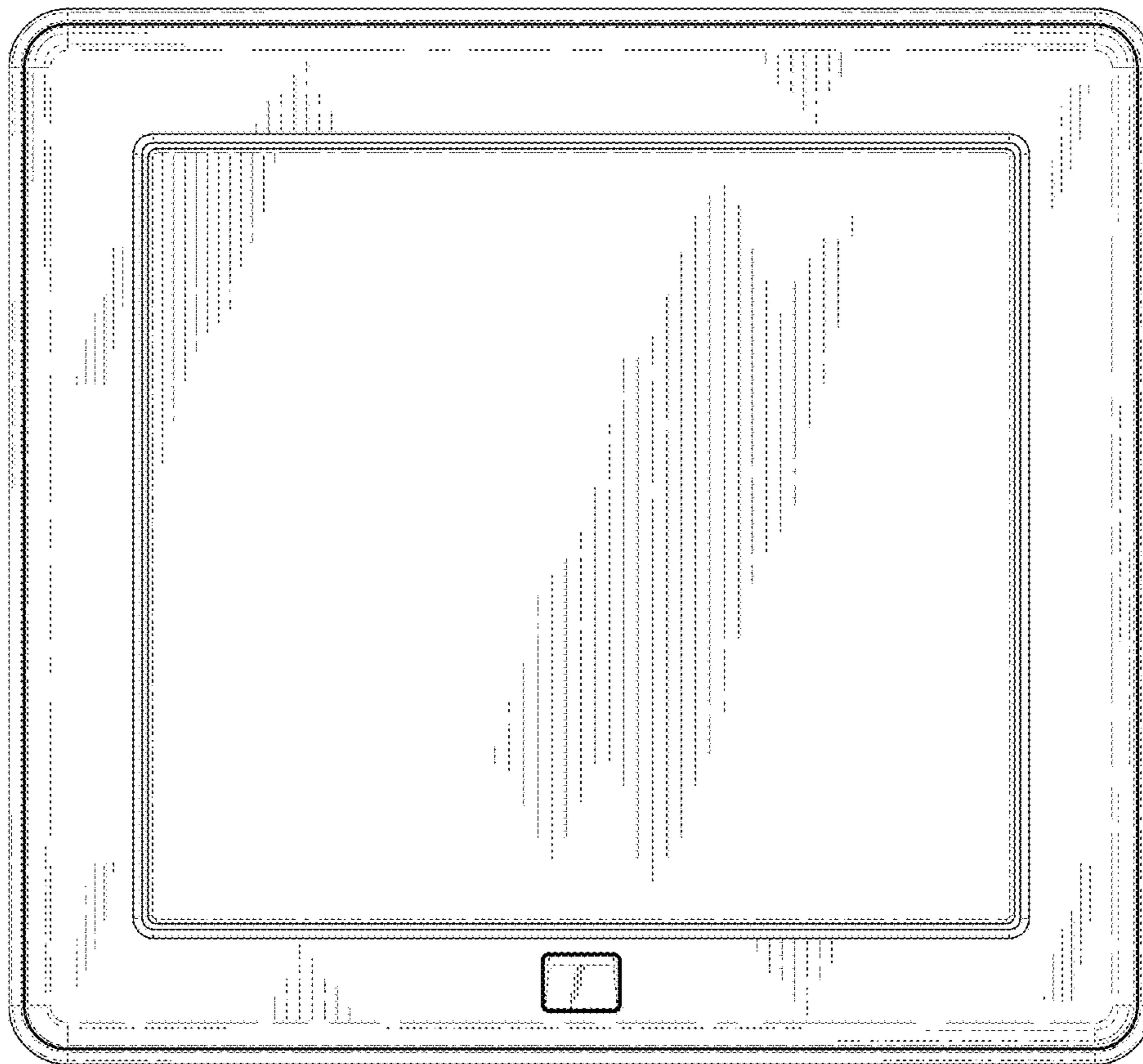


FIG. 2

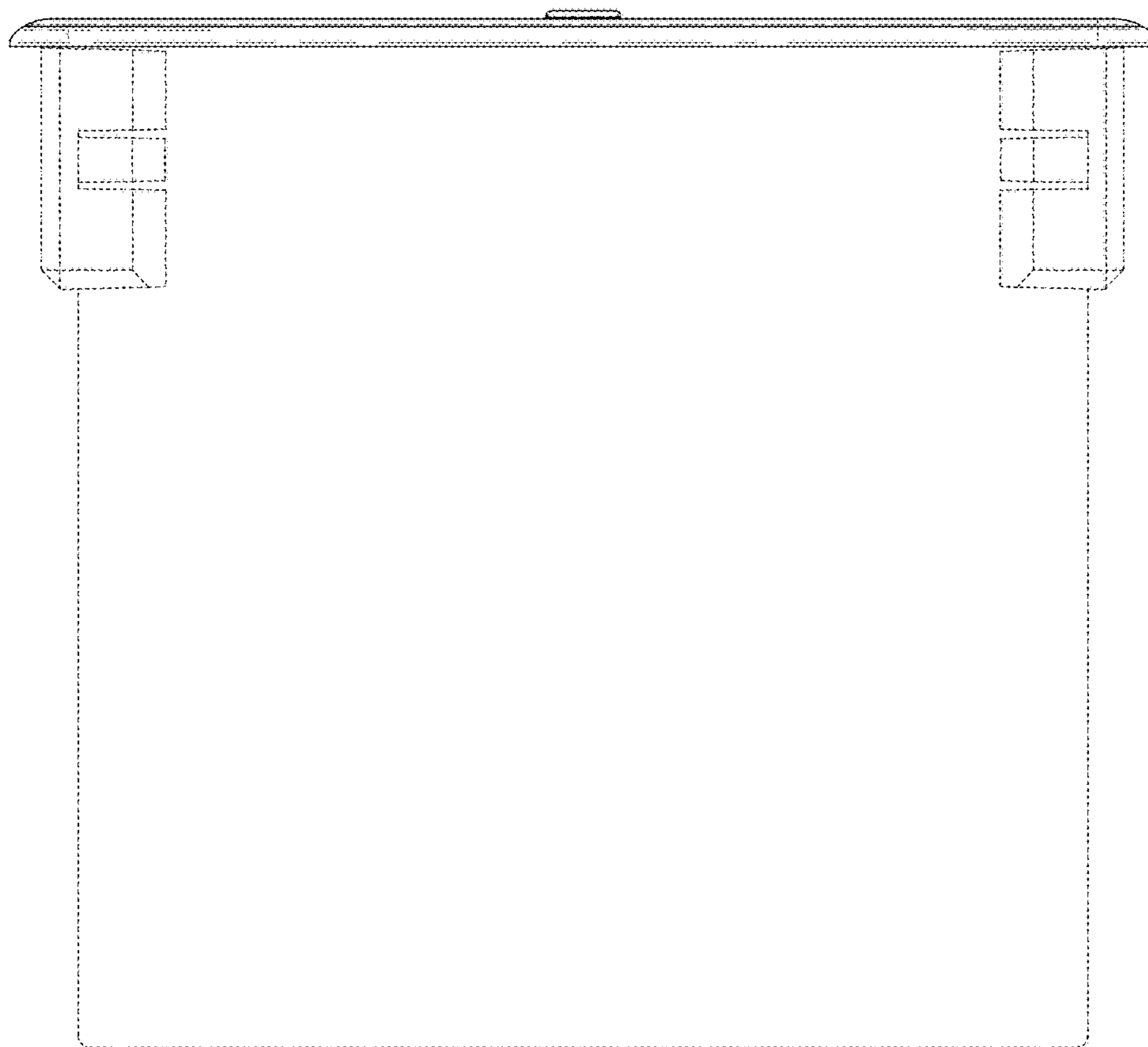


FIG. 3

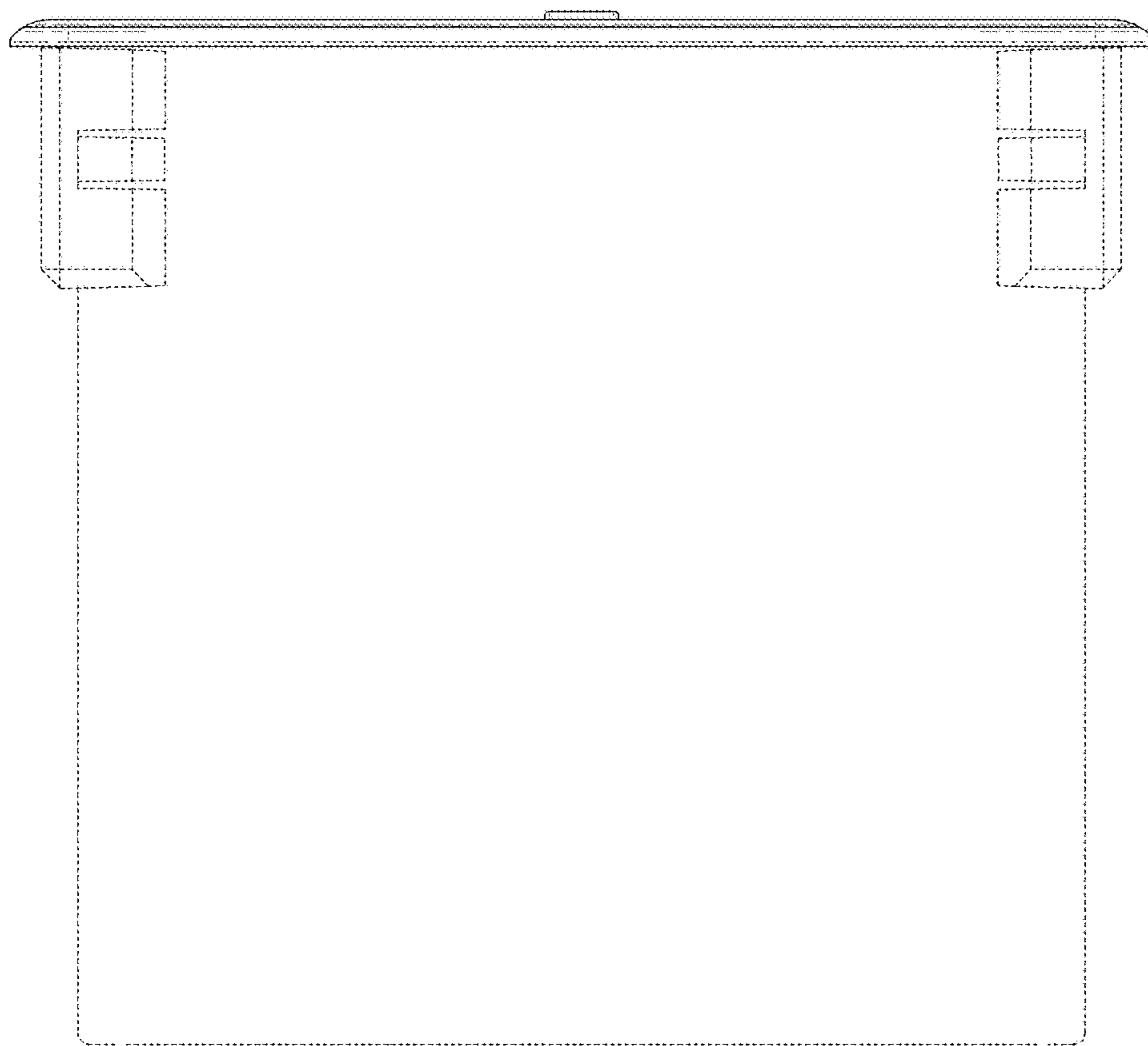


FIG. 4

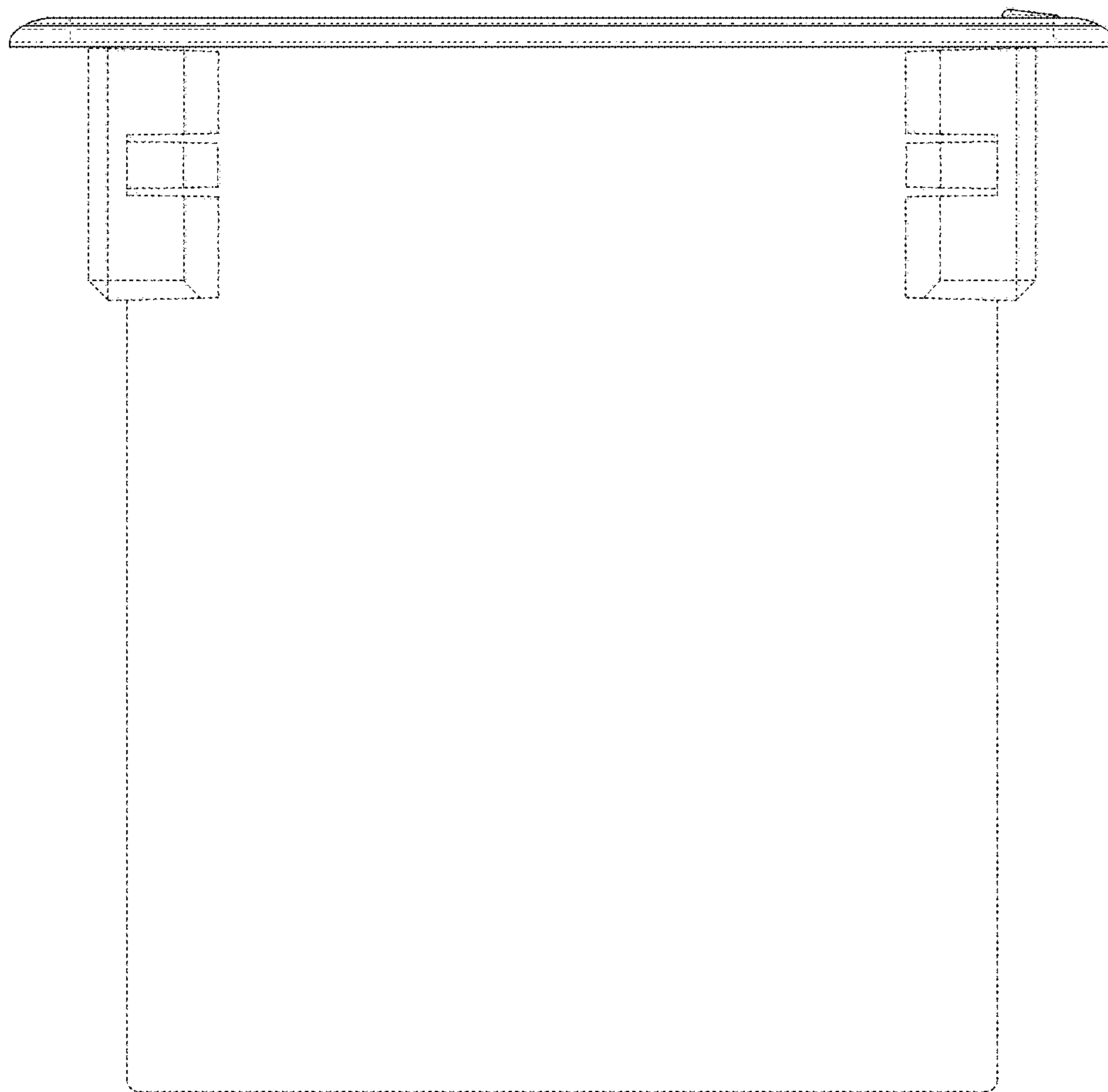


FIG. 5



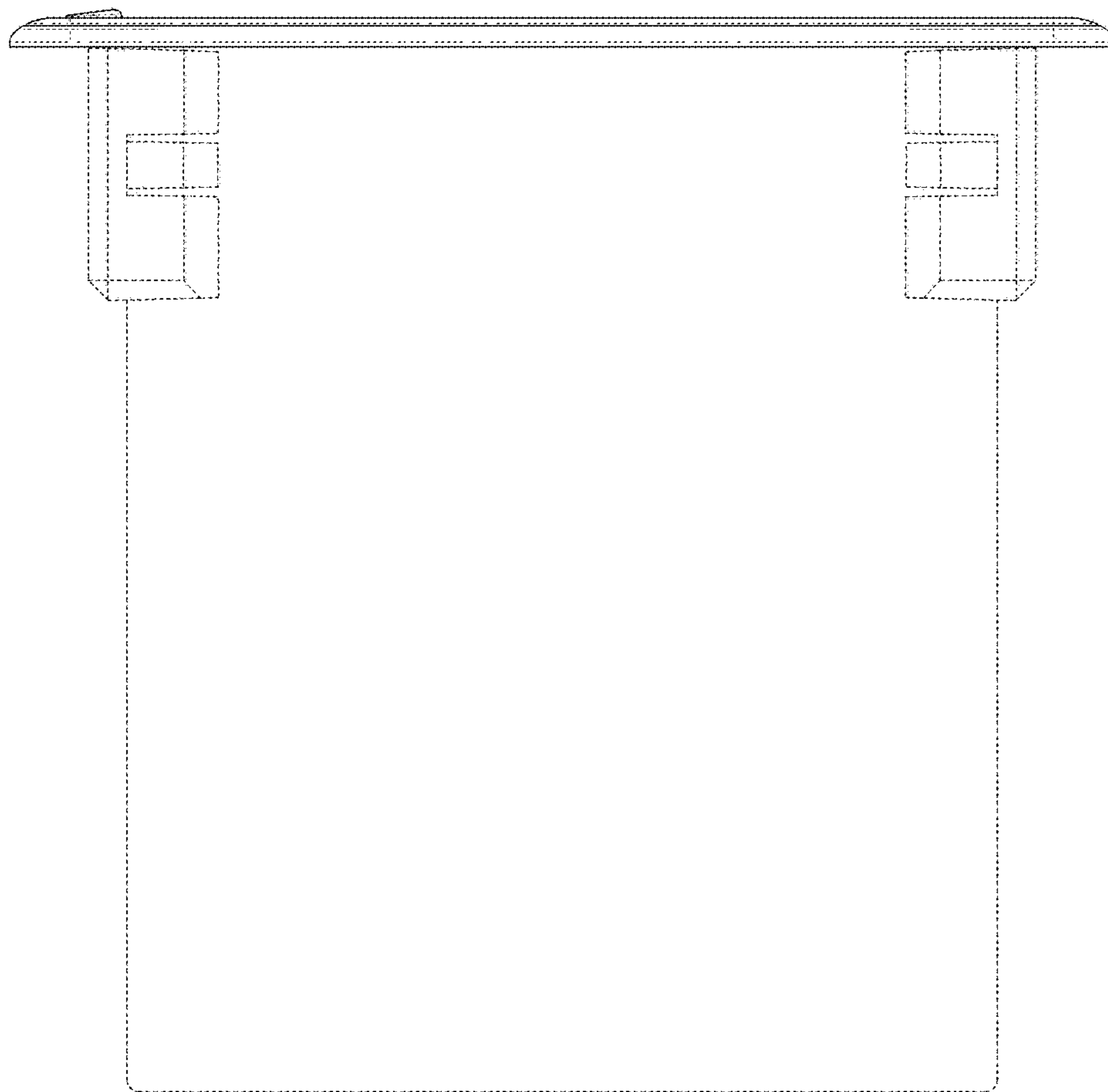


FIG. 6

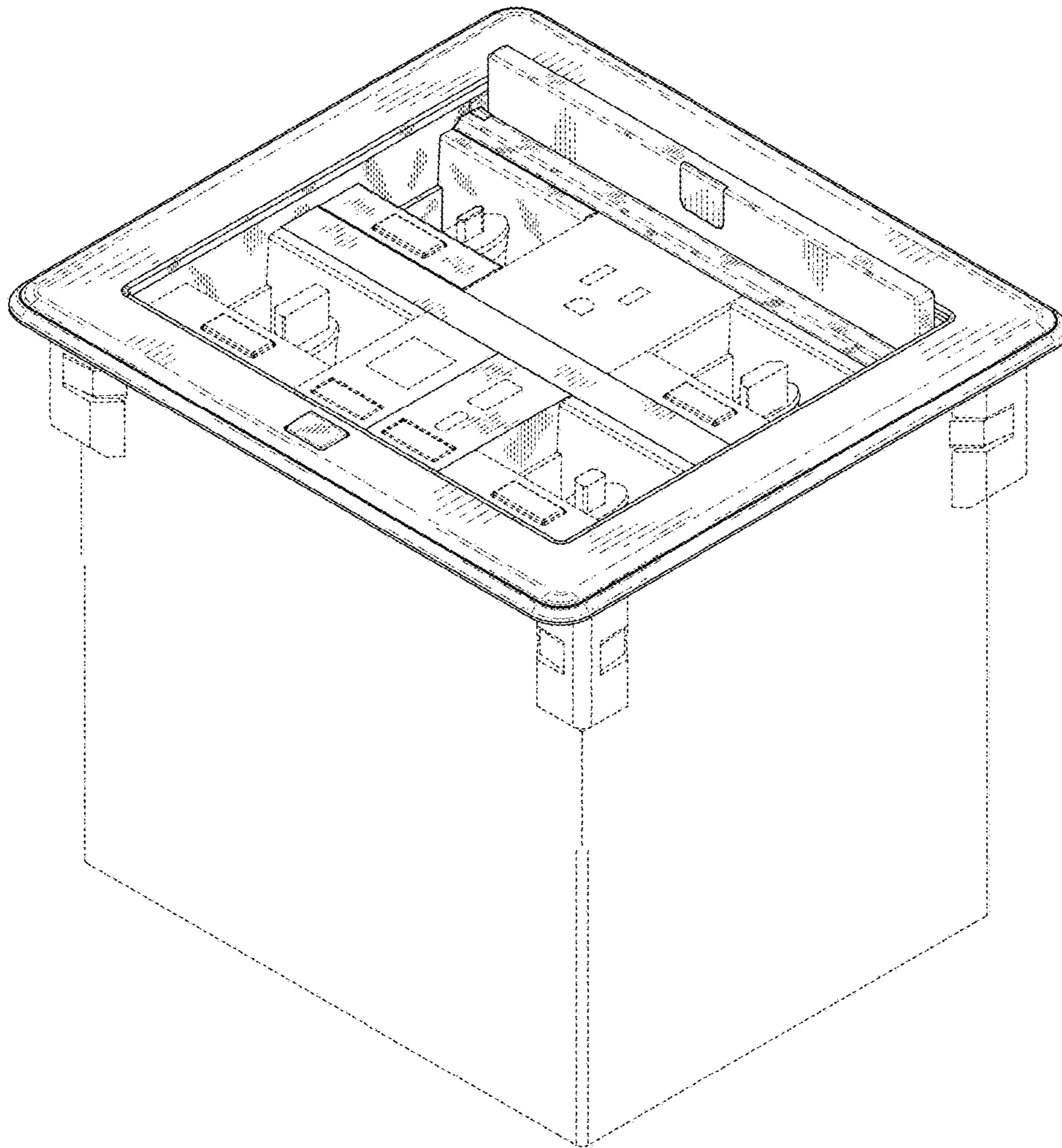


FIG. 7

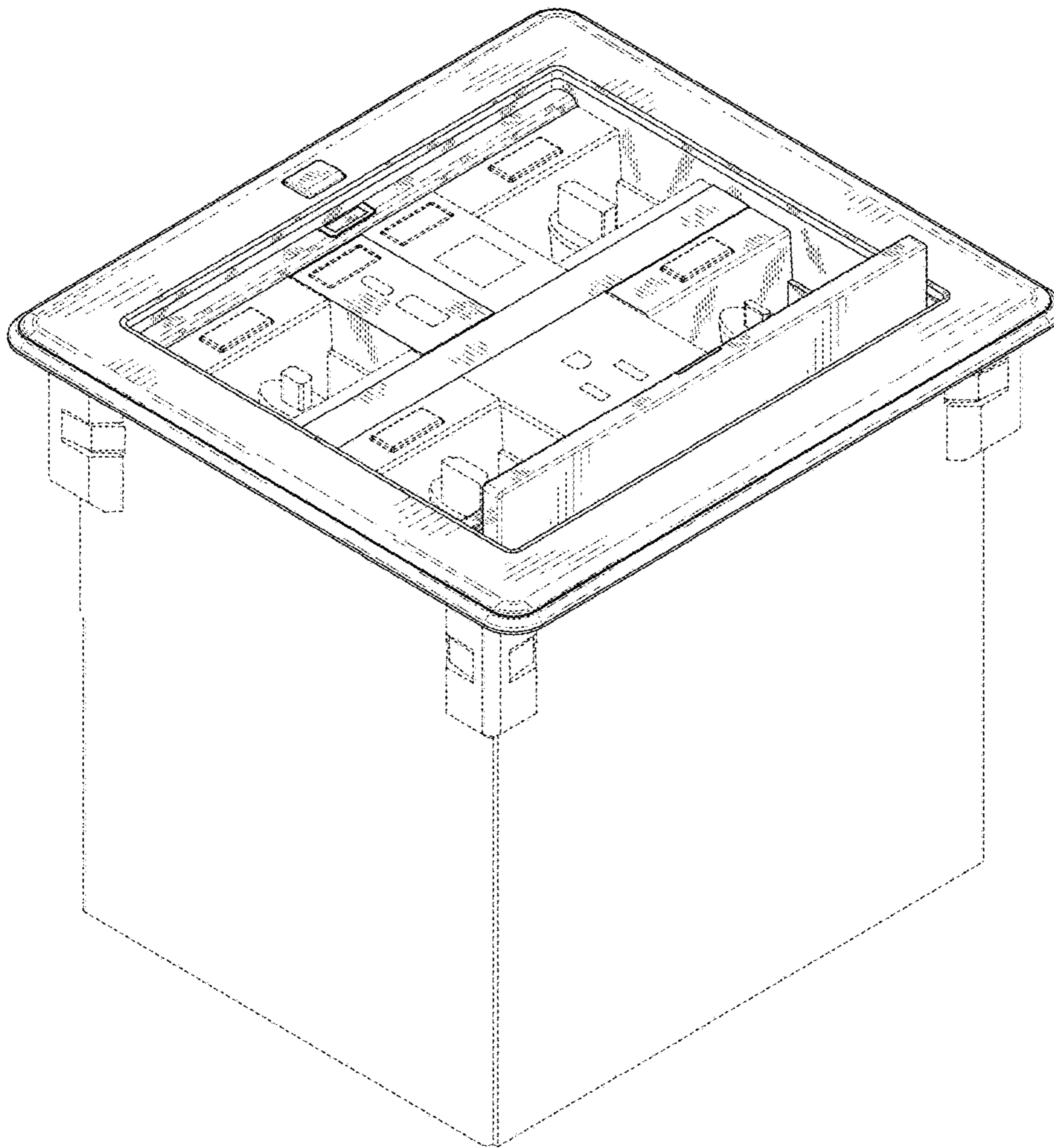


FIG. 8

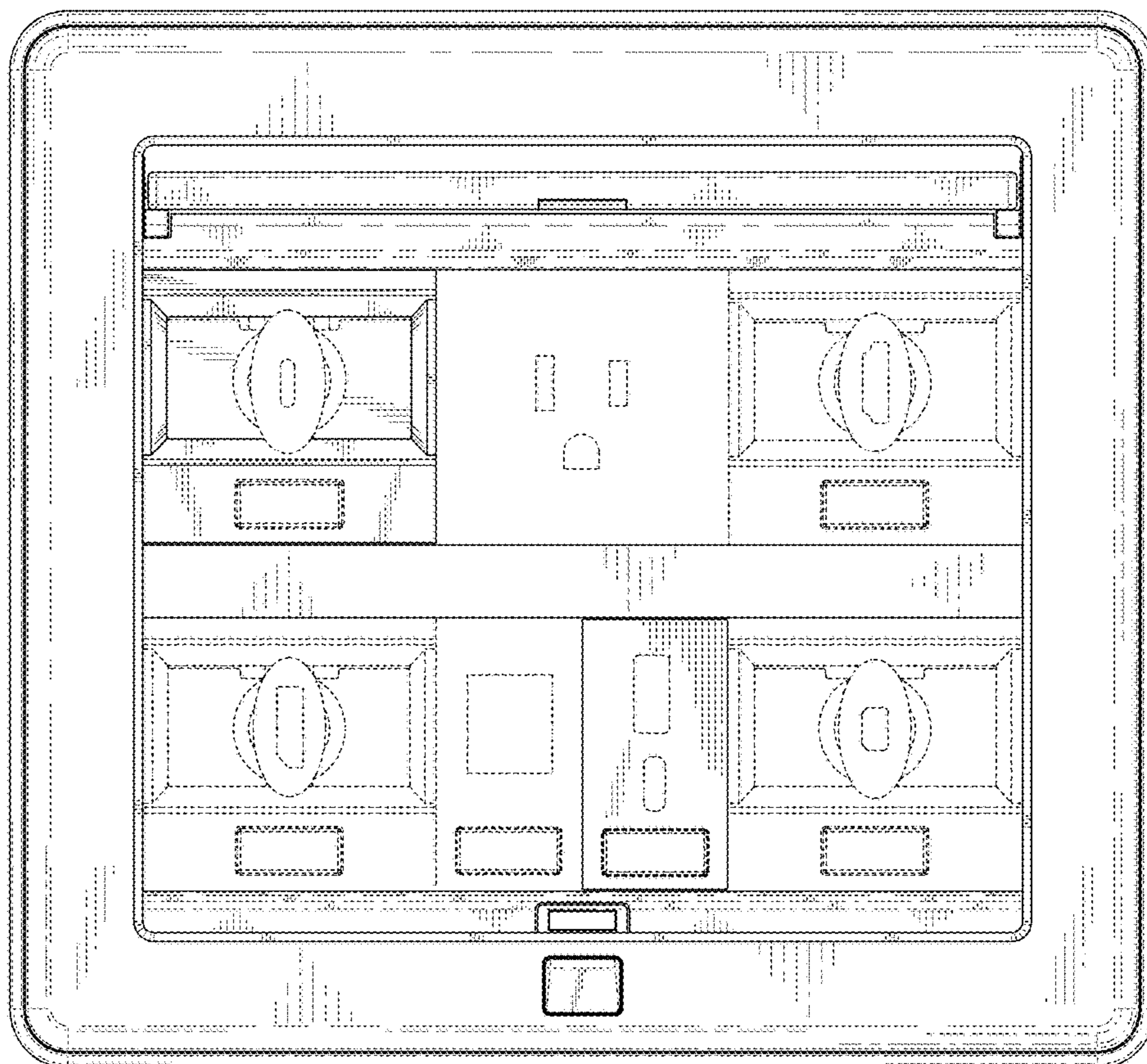


FIG. 9

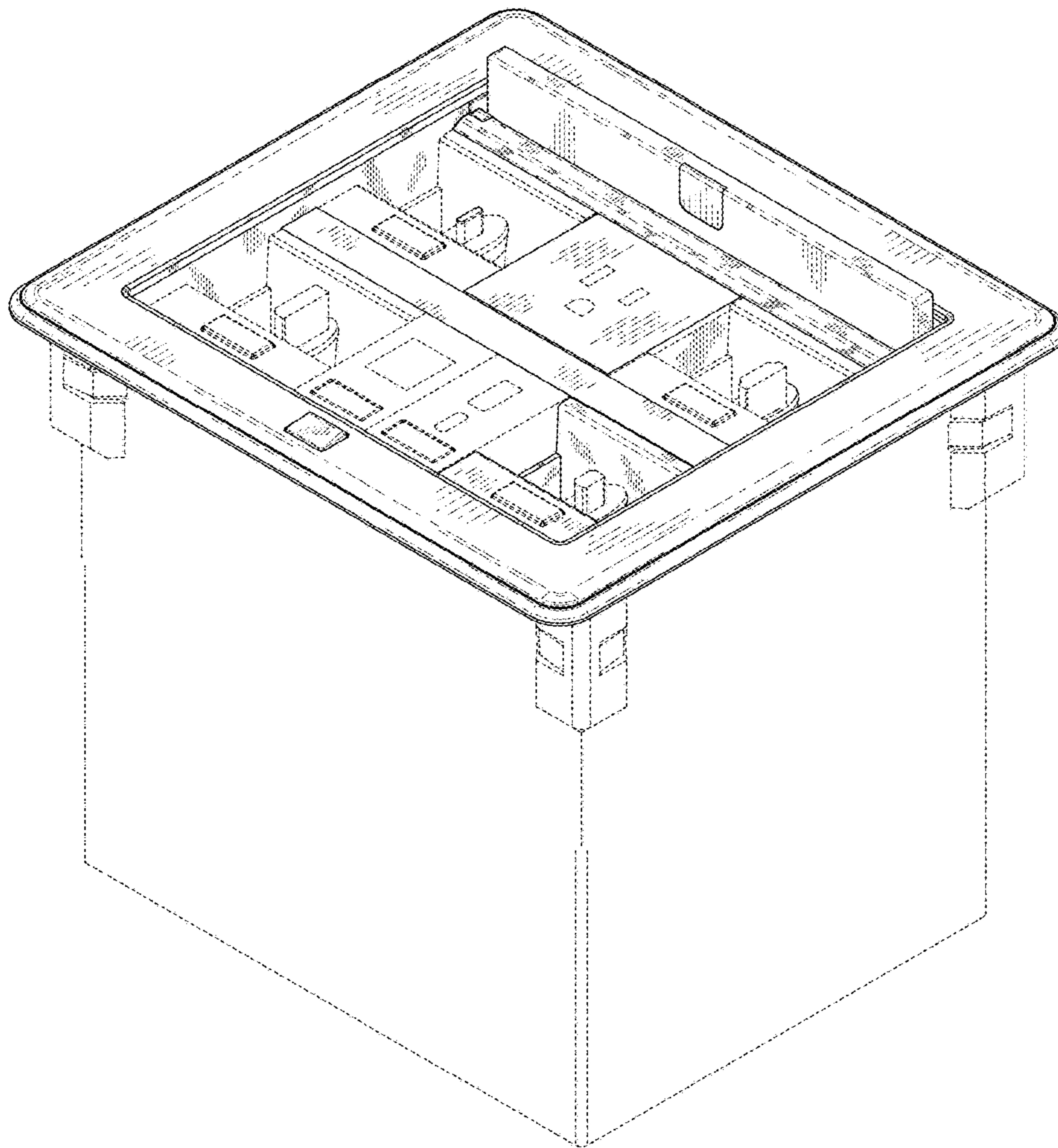


FIG. 10

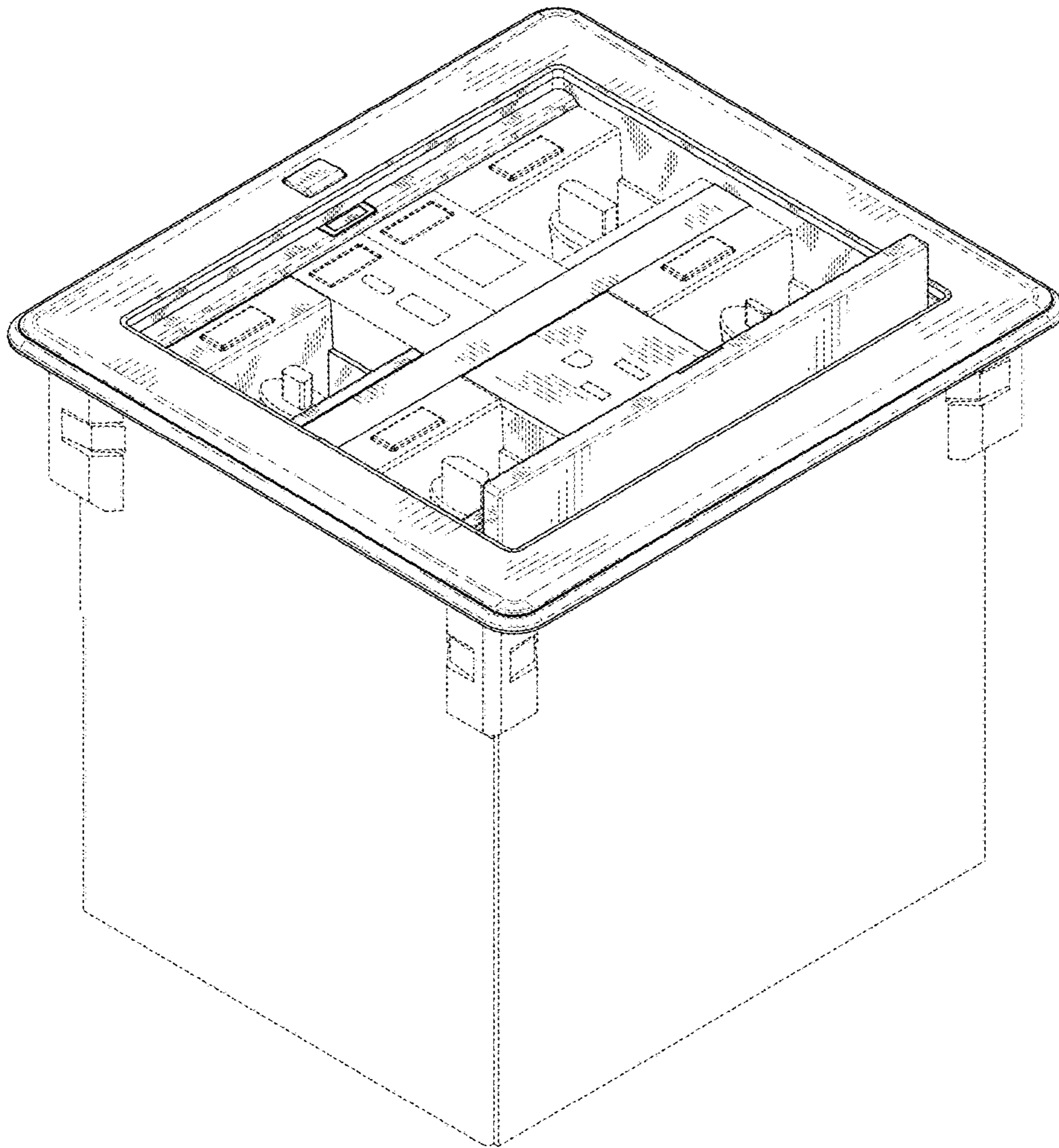


FIG. 11

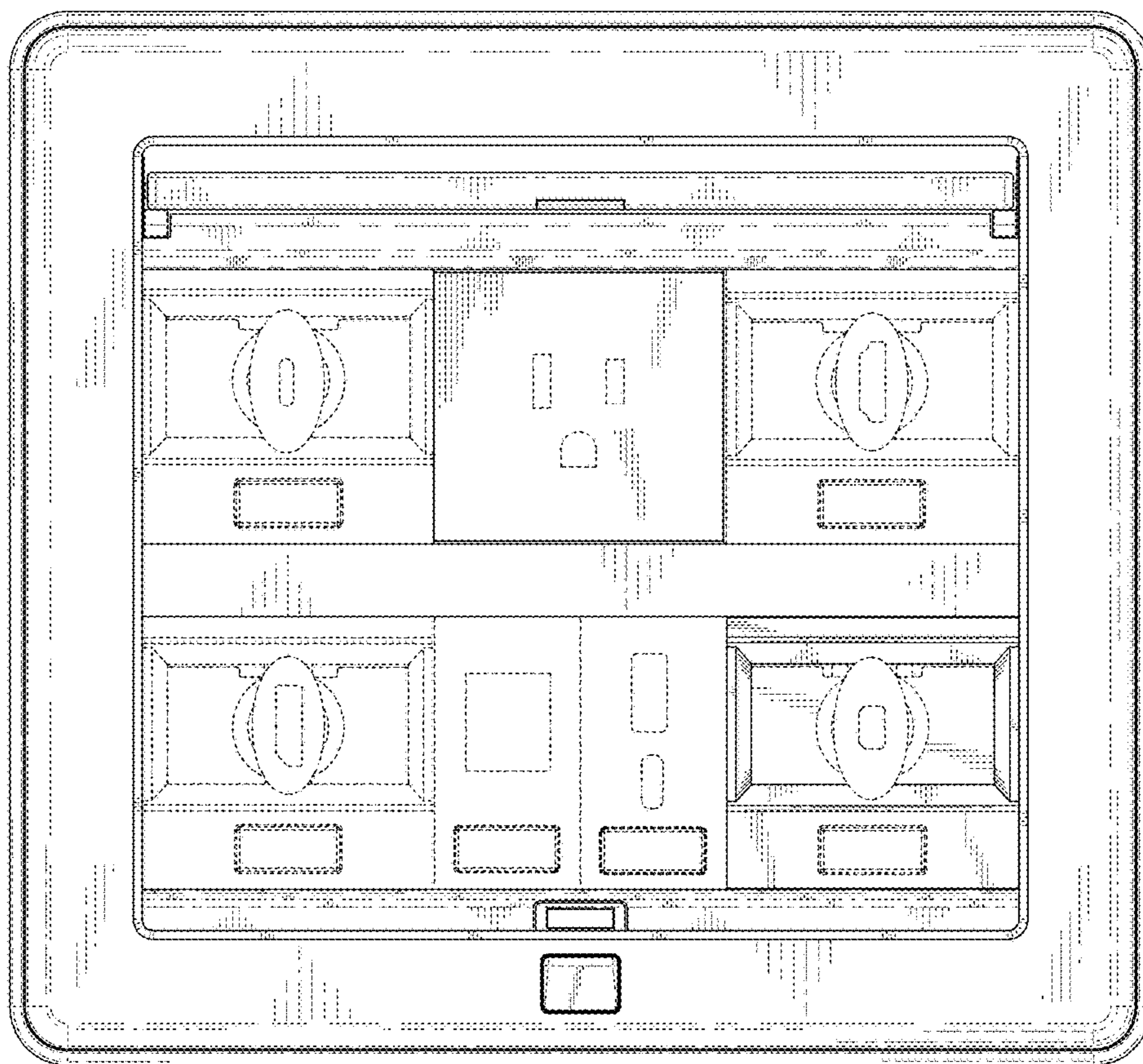


FIG. 12