



US00D859312S

(12) **United States Design Patent**  
**Aromin et al.**

(10) **Patent No.:** **US D859,312 S**

(45) **Date of Patent:** **\*\* Sep. 10, 2019**

(54) **GFCI ADAPTER**

(71) Applicant: **SAMMAX International LTD**, Wan Chai (HK)

(72) Inventors: **Victor V Aromin**, West Warwick, RI (US); **Daniel R Paquette**, Woonsocket, RI (US); **Louis Jay Shatkin**, Warwick, RI (US)

(73) Assignee: **Tower Manufacturing Corp.**, Providence, RI (US)

(\*\*) Term: **15 Years**

(21) Appl. No.: **29/665,093**

(22) Filed: **Sep. 30, 2018**

(51) **LOC (12) Cl.** ..... **13-03**

(52) **U.S. Cl.**  
USPC ..... **D13/137.3; D13/160**

(58) **Field of Classification Search**  
USPC ..... D13/110, 123, 133, 134, 137.1, 137.3, D13/137.4, 138.1, 138.2, 146, 147, 149, D13/153, 154, 173, 184, 199; D10/40, D10/75  
CPC ..... H01H 9/54; H01H 13/86; H01H 83/00; H01R 12/53; H01R 13/68; H01R 39/00; H02H 1/00; H02H 3/00; H02H 3/16; H02H 3/162; H02H 9/08; H05K 5/00  
See application file for complete search history.

(56) **References Cited**

**U.S. PATENT DOCUMENTS**

D315,893 S \* 4/1991 Cheng ..... D13/137.3  
D352,472 S \* 11/1994 Chen ..... D10/30  
D352,667 S \* 11/1994 Chen ..... D10/40  
D363,680 S \* 10/1995 Shan ..... D10/75  
D364,826 S \* 12/1995 Wu ..... D10/75

D432,990 S \* 10/2000 Stekelenburg ..... D13/137.3  
D534,440 S \* 1/2007 Stekelenburg ..... D10/40  
D664,931 S \* 8/2012 Chang ..... D13/168  
D694,713 S \* 12/2013 Yeo ..... D13/137.1  
D735,136 S \* 7/2015 Aromin ..... D13/138.2  
D816,614 S \* 5/2018 An ..... D13/137.1  
D819,570 S \* 6/2018 Zhong ..... D13/137.1  
2005/0275981 A1 \* 12/2005 Power ..... H01H 83/04  
361/42

**OTHER PUBLICATIONS**

Electriduct GFCI Products—Tower, dated Apr. 5, 2011, [online], [site visited Jan. 25, 2019. Available from Internet, <URL: https://www.electriduct.com/GFCI-Tower-Power.html> (Year: 2011).\*

\* cited by examiner

*Primary Examiner* — Angela J Lee  
*Assistant Examiner* — Shawn T Gingrich

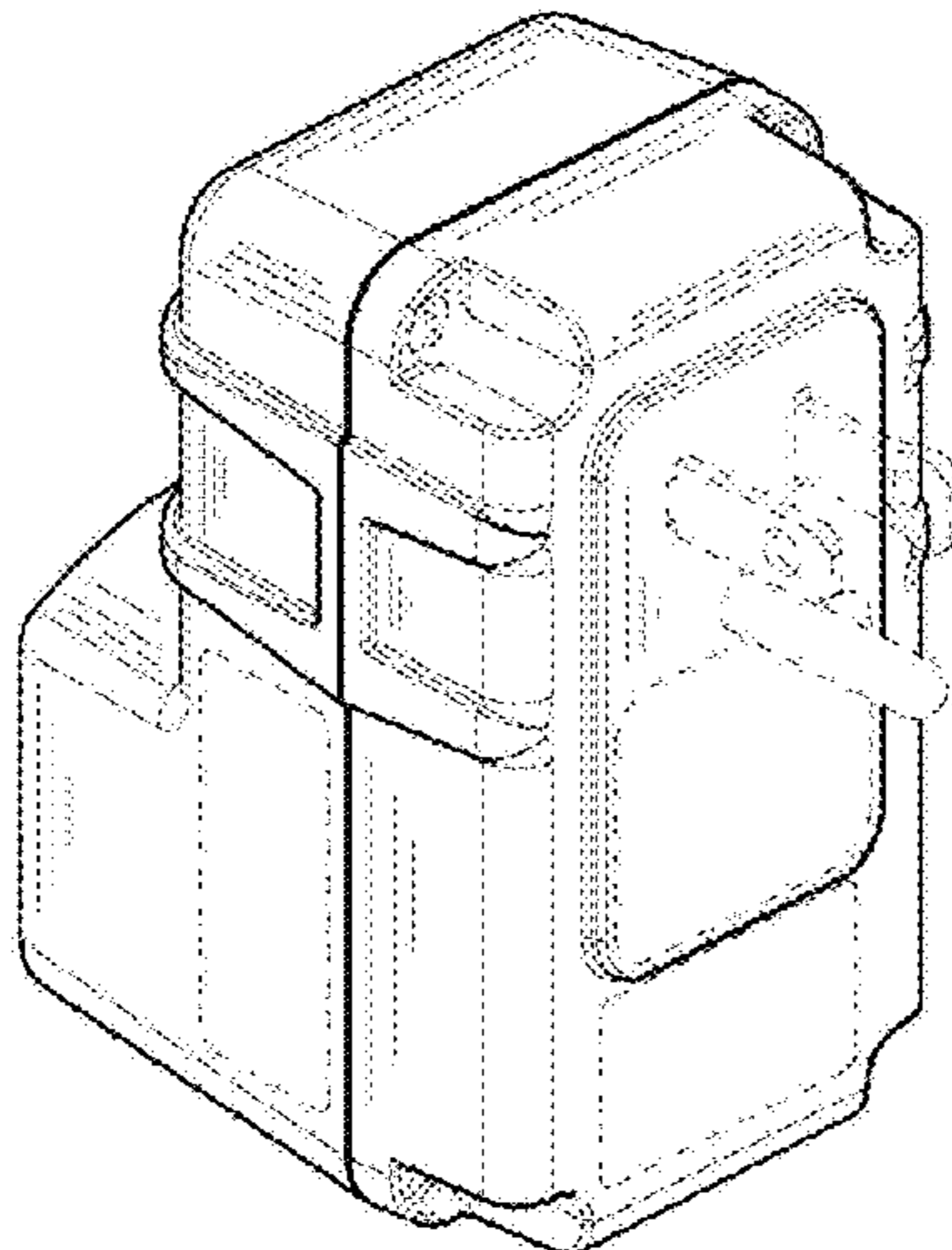
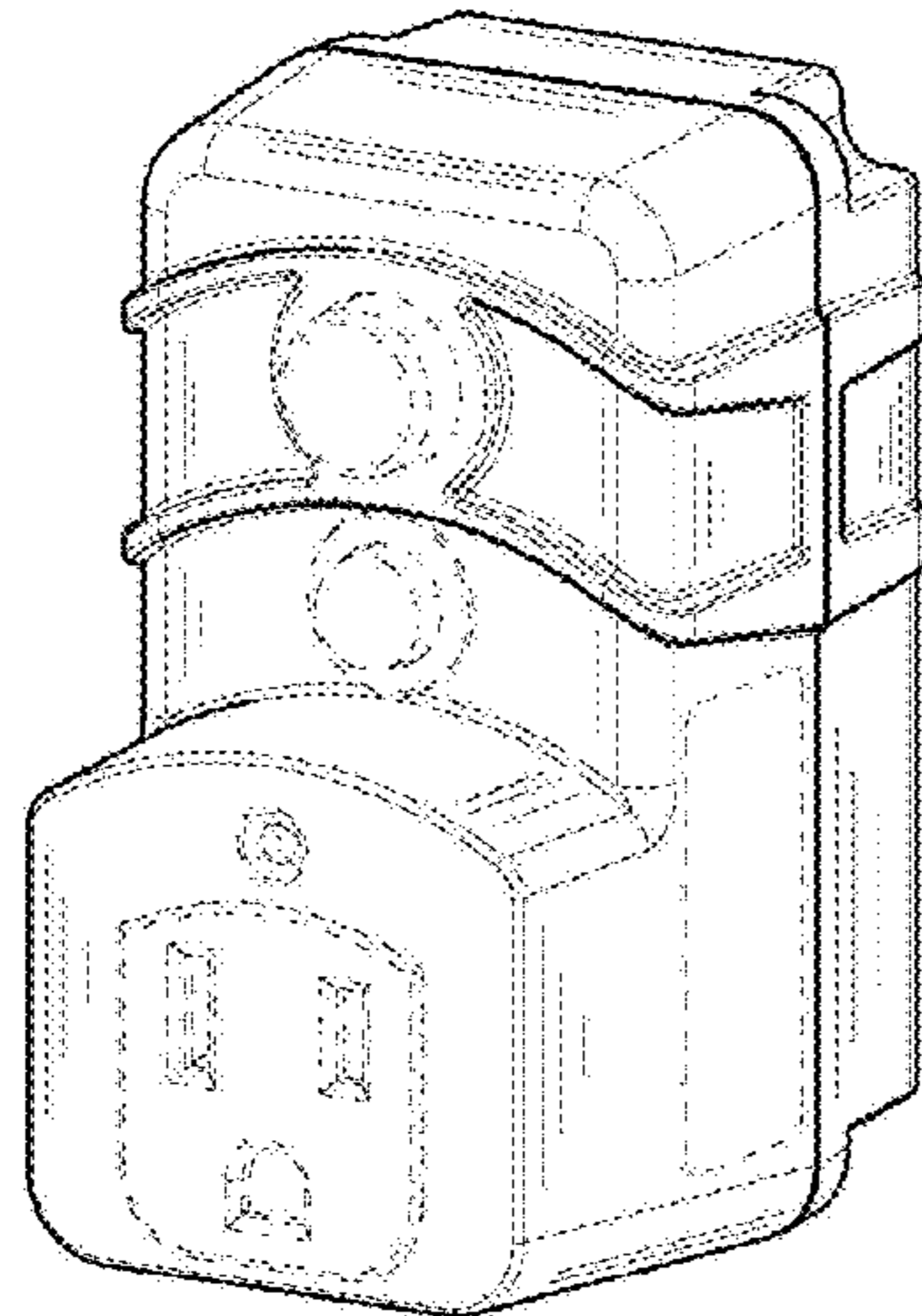
(57) **CLAIM**

The ornamental design for a GFCI adapter, as shown and described.

**DESCRIPTION**

FIG. 1 is a top-side perspective view of the GFCI adapter showing our new design;  
FIG. 2 is a bottom perspective view thereof;  
FIG. 3 is a another top-side perspective view thereof;  
FIG. 4 is a side perspective view thereof;  
FIG. 5 is a top down view thereof;  
FIG. 6 is a bottom view thereof;  
FIG. 7 a right-side view thereof;  
FIG. 8 is a left side view thereof;  
FIG. 9 is a front view thereof; and,  
FIG. 10 is a rear view thereof.  
The broken lines in the drawings represent portions of the GFCI adapter that form no part of the claimed design.

**1 Claim, 5 Drawing Sheets**



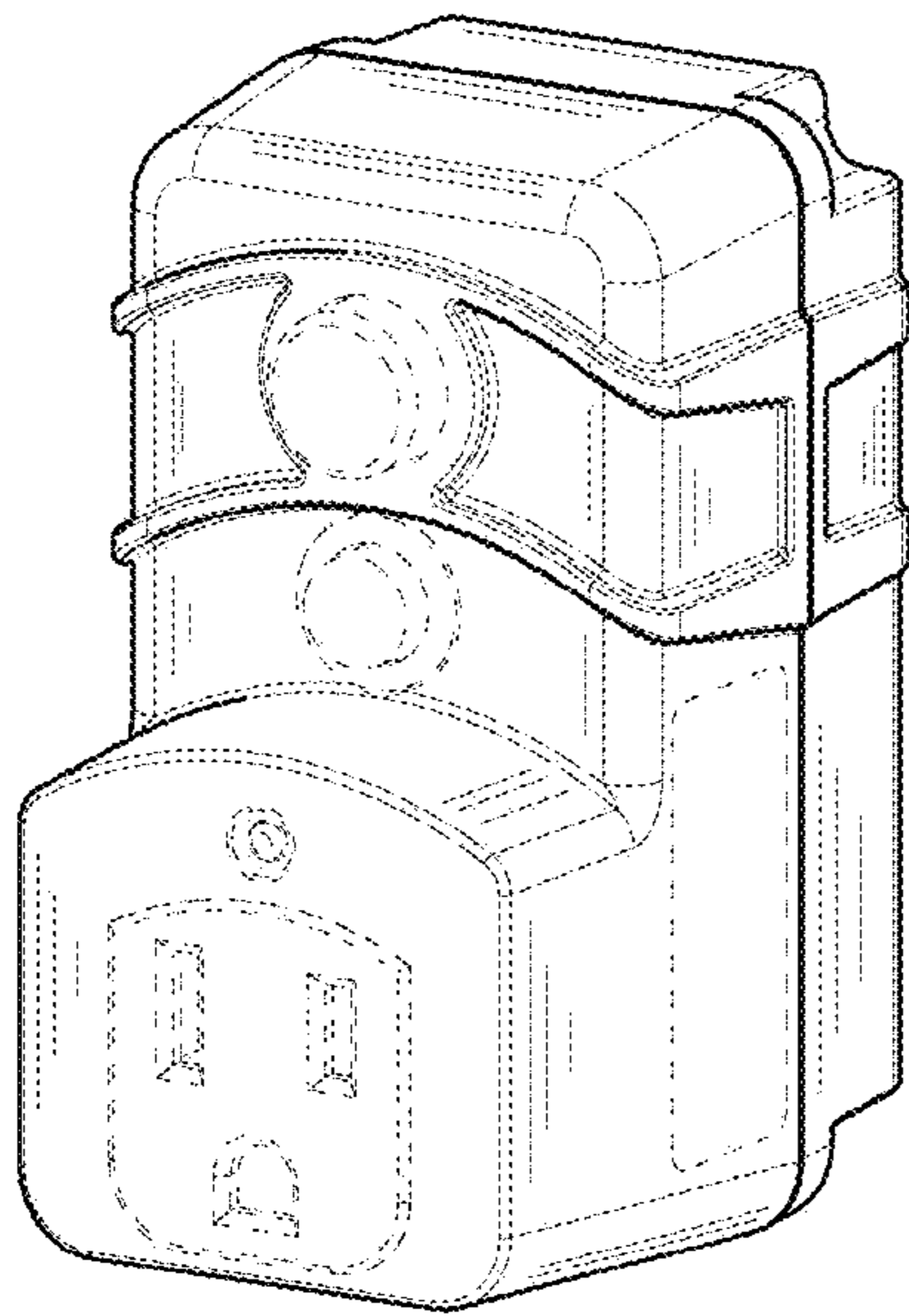


FIG. 1

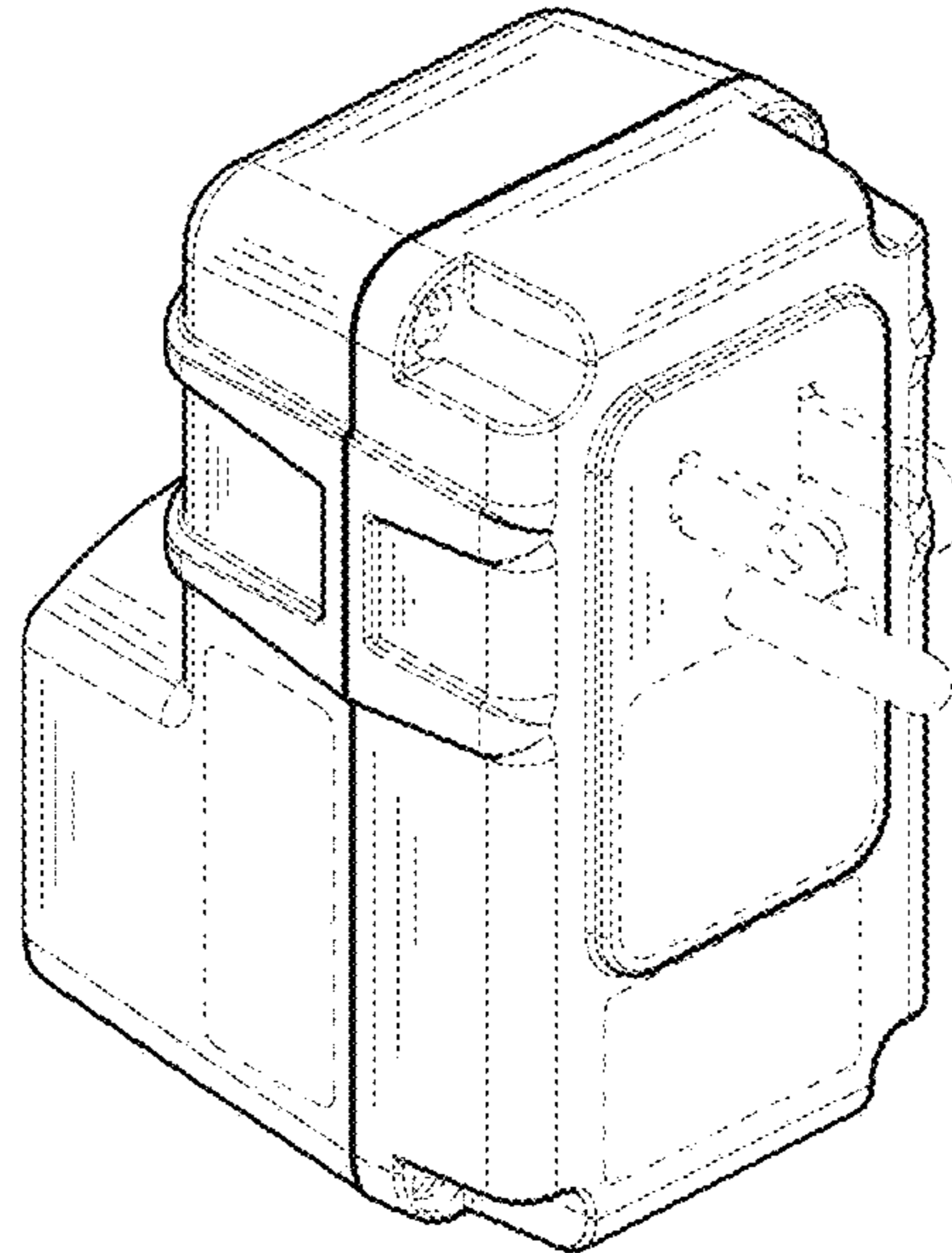


FIG. 2

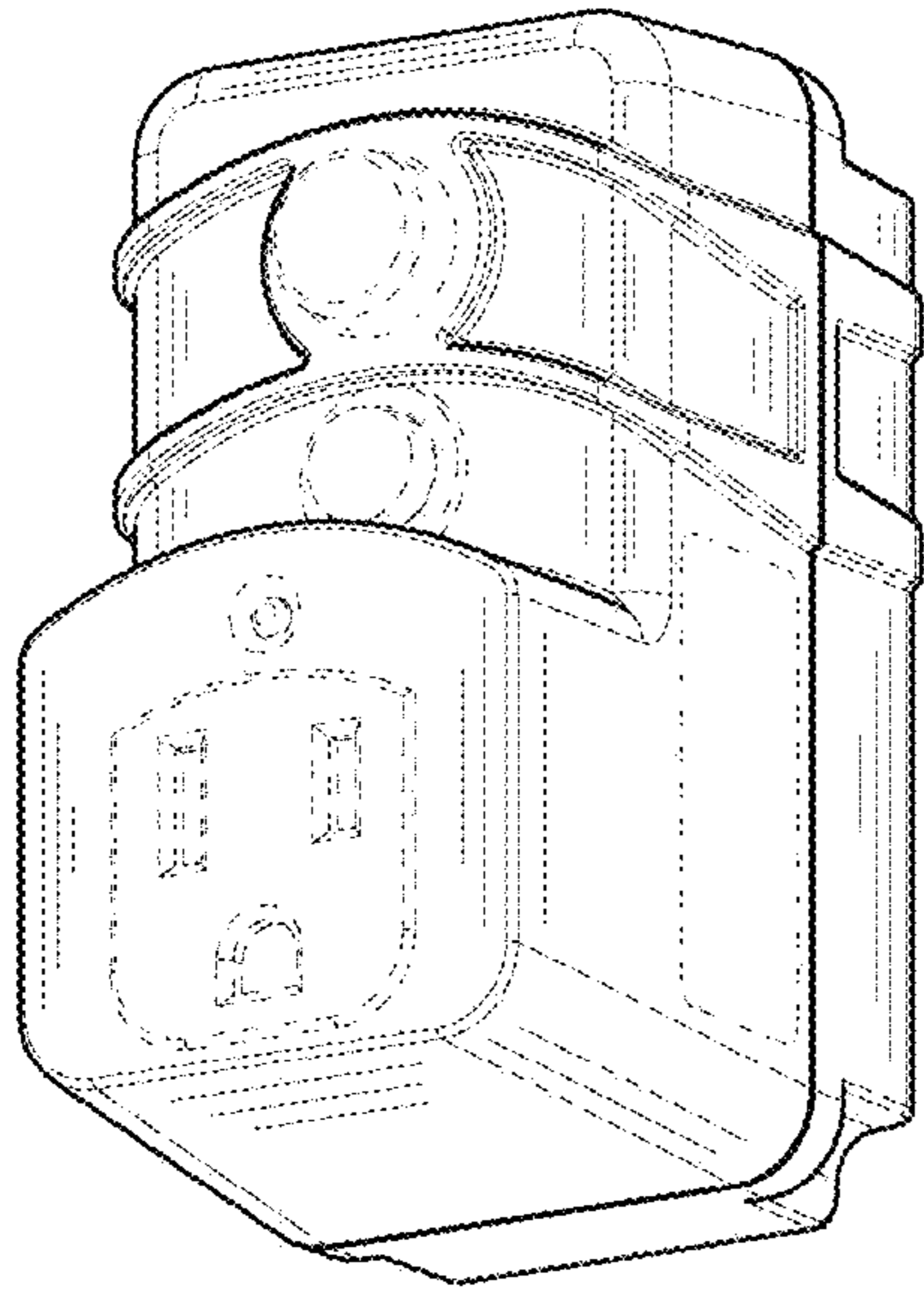


FIG. 3

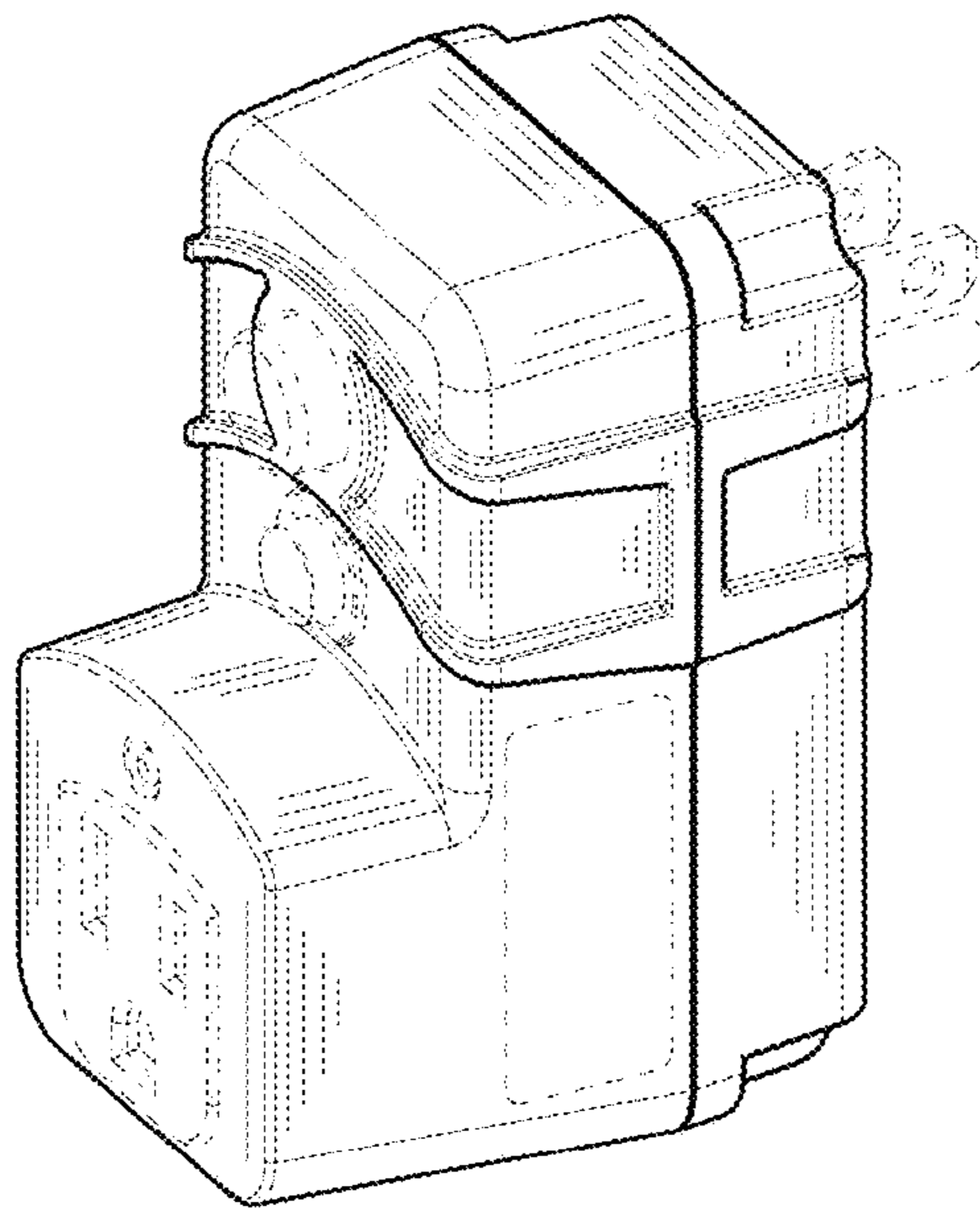


FIG. 4

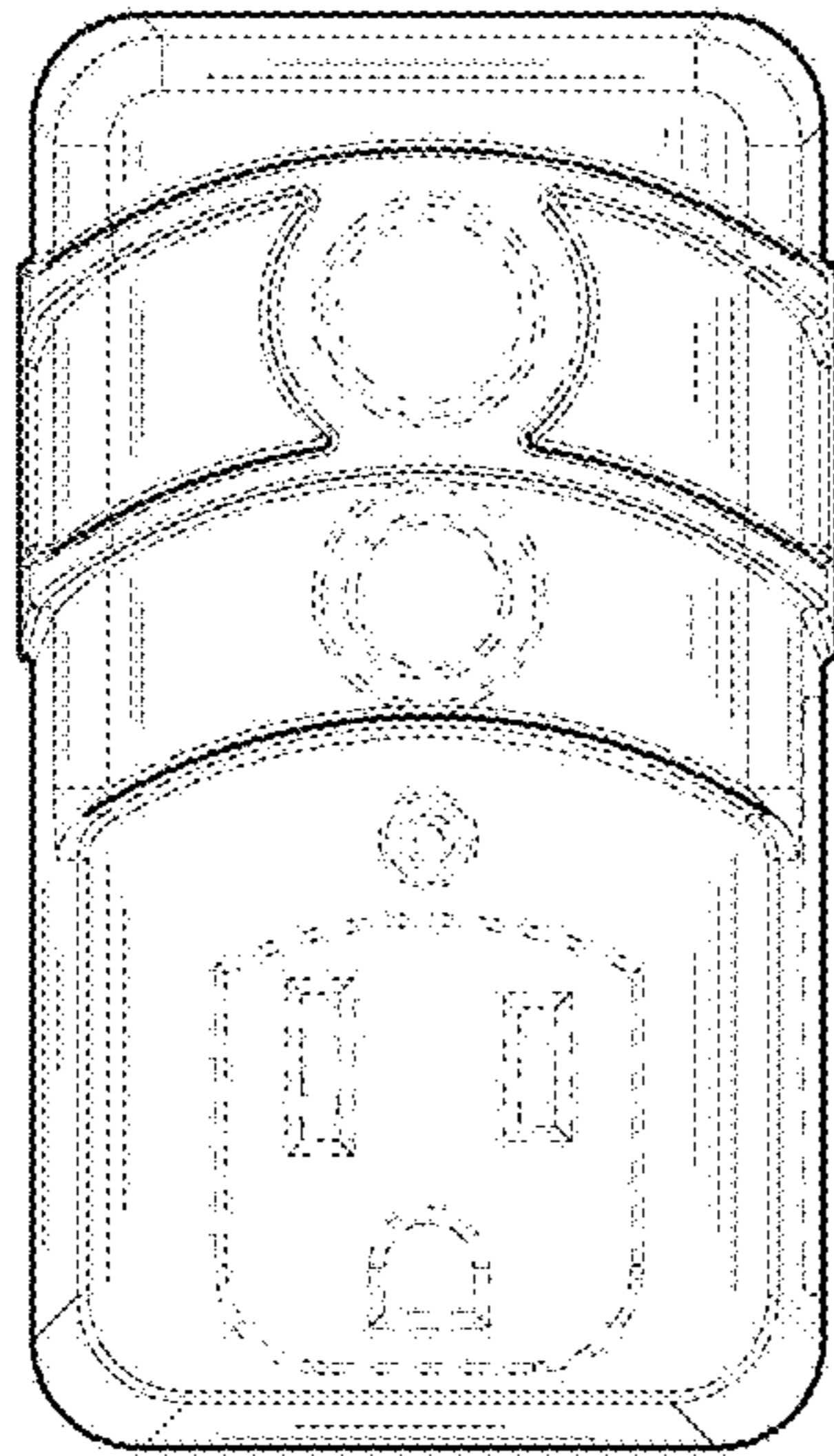


FIG. 5

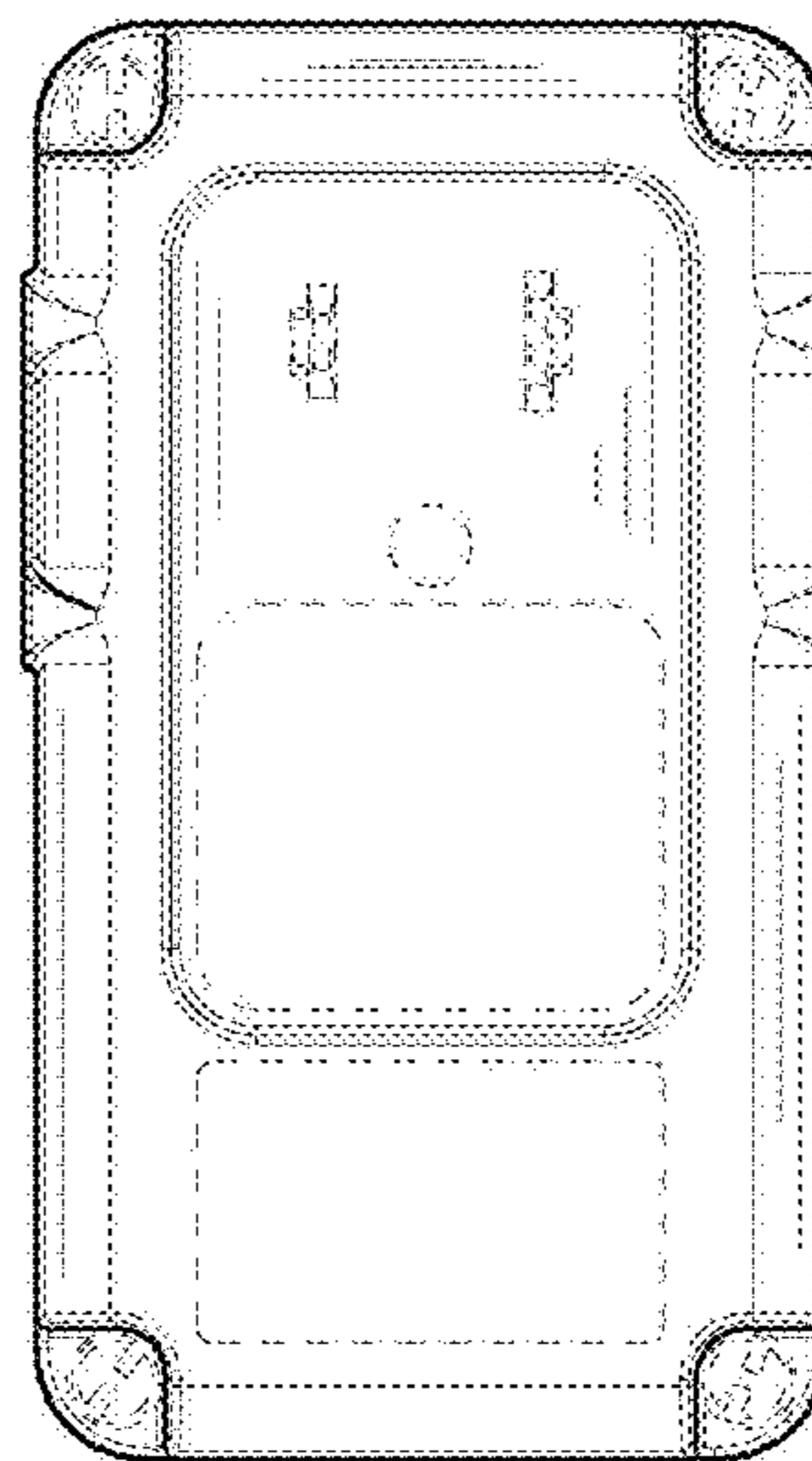


FIG. 6

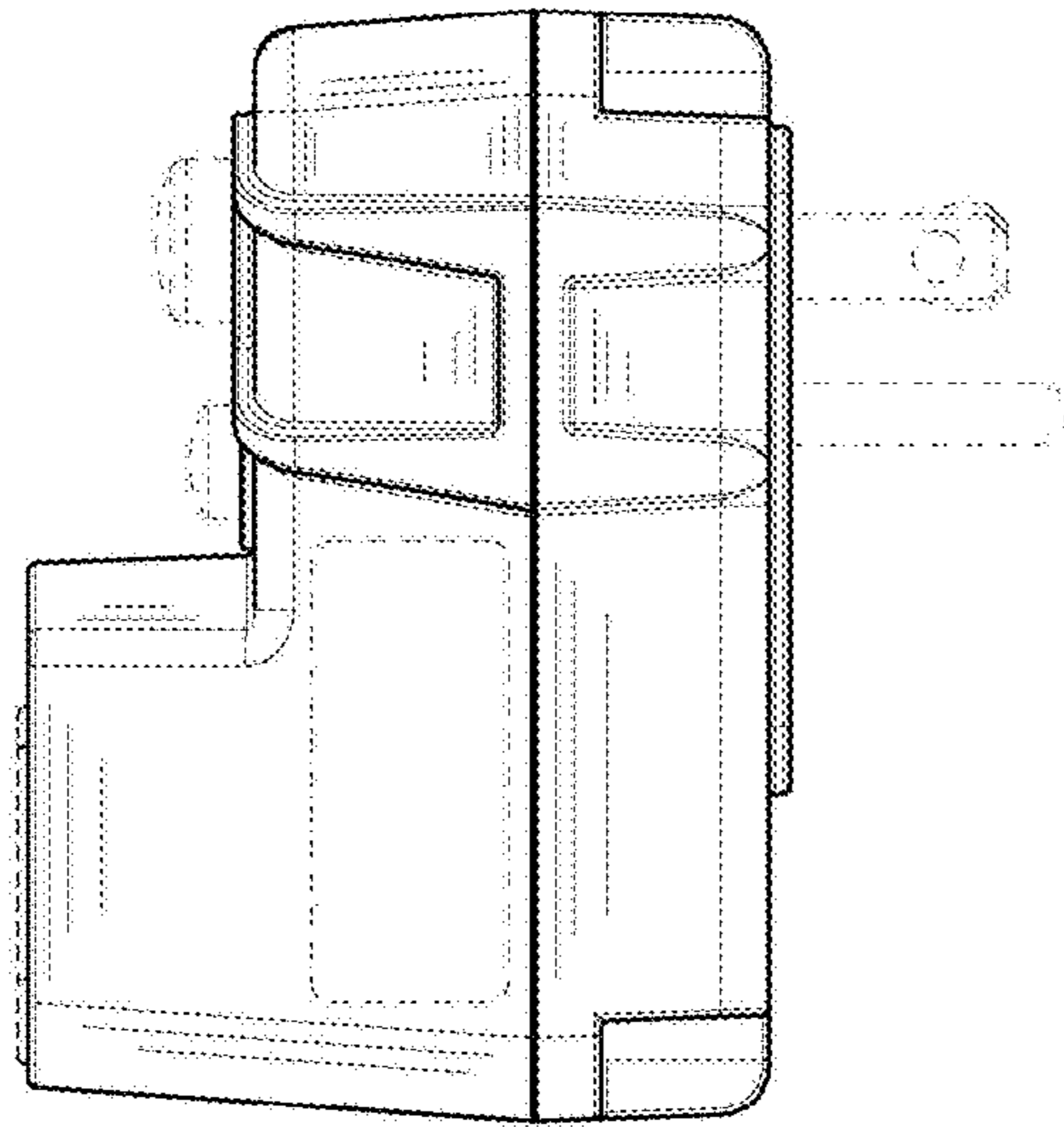


FIG. 7

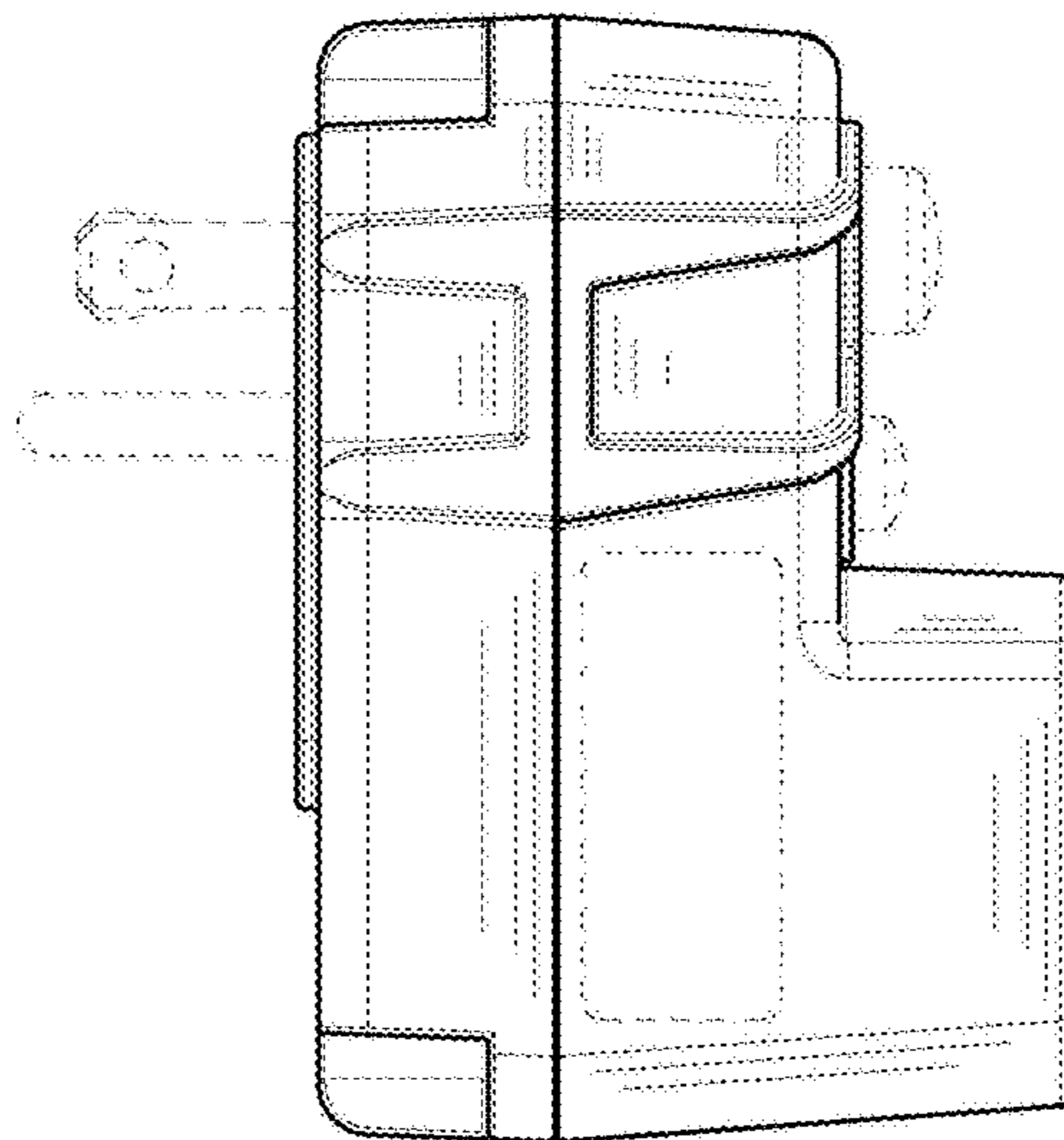


FIG. 8

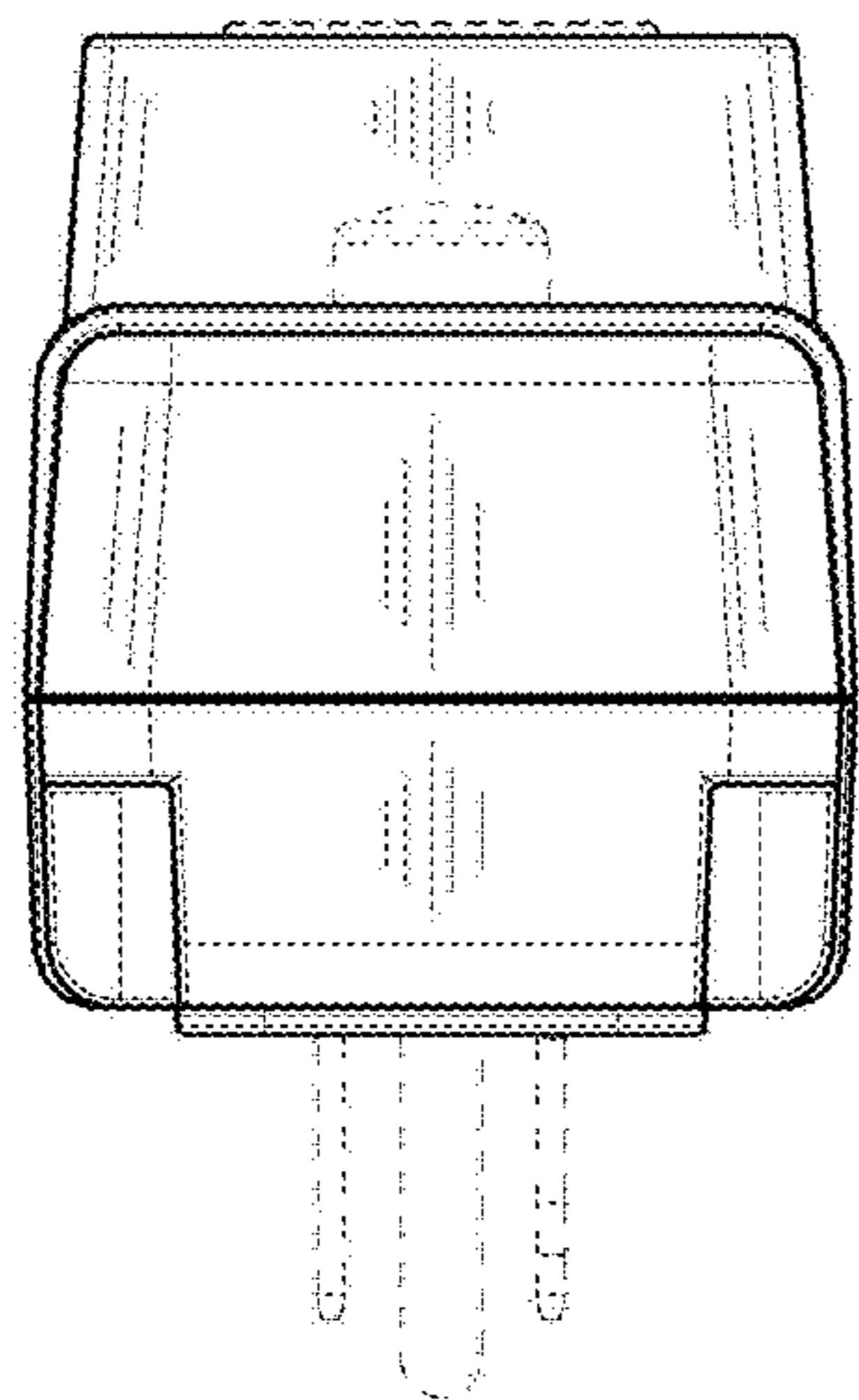


FIG. 9

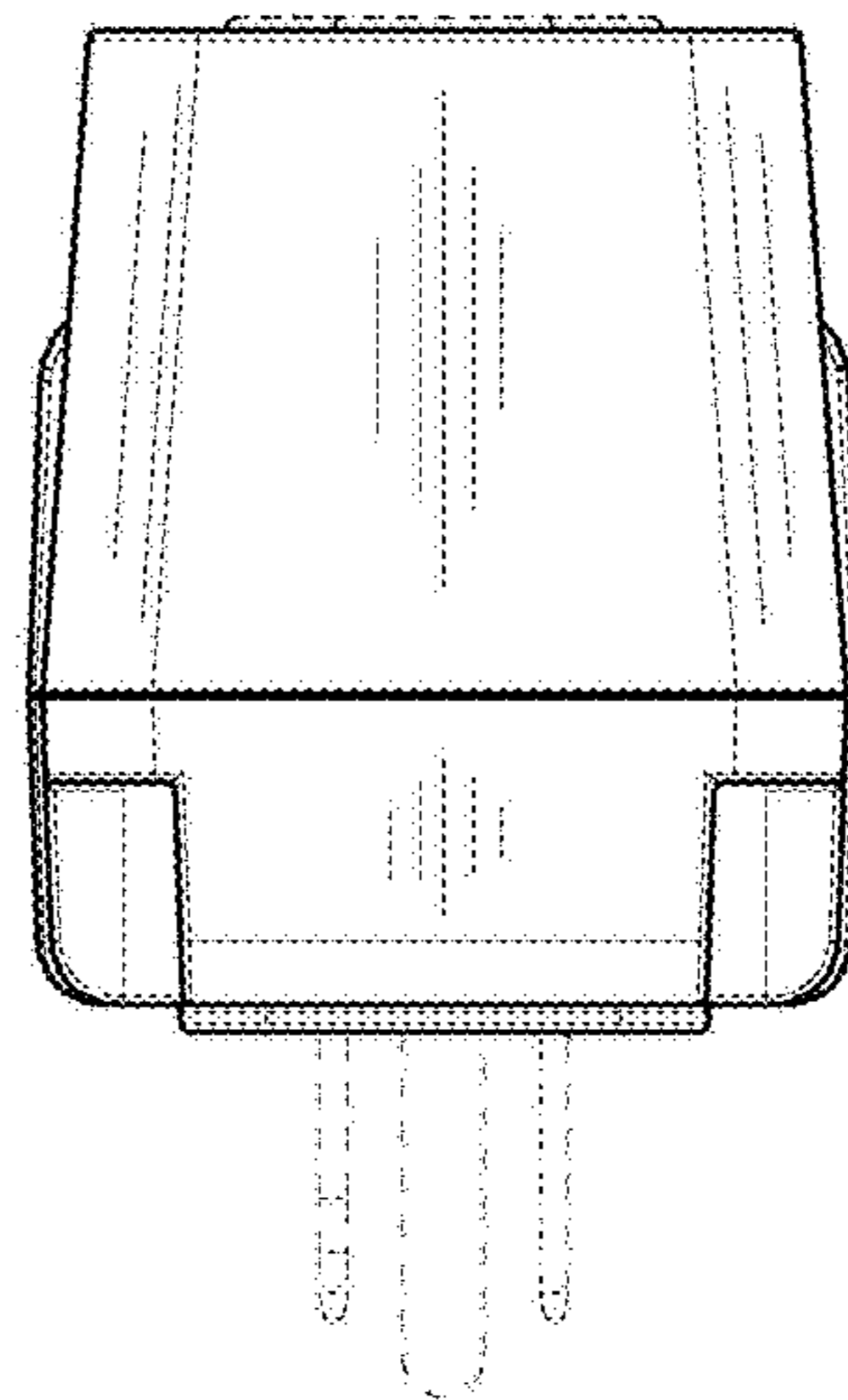


FIG. 10