



US00D859311S

(12) **United States Design Patent**  
**Liao et al.**

(10) **Patent No.:** **US D859,311 S**

(45) **Date of Patent:** **\*\* Sep. 10, 2019**

(54) **SMART SOCKET**

(71) Applicant: **Shenzhen Tomtop Technology Co., Ltd.**, Shenzhen, Guangdong (CN)

(72) Inventors: **Xin Hui Liao**, Guangdong (CN); **Liu Gui Chen**, Guangdong (CN)

(73) Assignee: **Shenzhen Tomtop Technology Co., Ltd.**, Shenzhen, Guangdong (CN)

(\*\*) Term: **15 Years**

(21) Appl. No.: **29/600,973**

(22) Filed: **Apr. 18, 2017**

(51) **LOC (12) Cl.** ..... **13-03**

(52) **U.S. Cl.**  
USPC ..... **D13/137.3**

(58) **Field of Classification Search**  
USPC ..... D13/108, 110, 123, 133, 137.1–137.4,  
D13/138.1–138.2, 139.1–139.8, 152–154,  
D13/146, 147, 156, 158; D14/433;  
D8/350–353

CPC ..... H01R 11/00; H01R 9/00; H01R 25/00;  
H01R 25/006; H01R 13/11; H01R 24/76  
See application file for complete search history.

(56) **References Cited**

**U.S. PATENT DOCUMENTS**

D666,968 S *	9/2012	Huang	.....	D13/110
D713,788 S *	9/2014	Hasegawa	.....	D13/110
D732,472 S *	6/2015	Laffon	.....	D13/110
D750,022 S *	2/2016	Lin	.....	D13/137.2
D755,127 S *	5/2016	Wong	.....	D13/137.2
D758,312 S *	6/2016	Lin	.....	D13/137.2

**OTHER PUBLICATIONS**

Amazon.com: Koogeek Smart Plug. Published Dec. 7, 2016. Retrieved from the internet at <https://www.amazon.com/Koogeek-Compatible-Assistant-Electronics-Controller/dp/B01N9MMEWH/>, Feb. 24, 2018. 1 page.\*

TMSearch.uspto.gov: Trademark for Koogeek. Filed Oct. 19, 2015. Retrieved from TESS at <http://tmsearch.uspto.gov/bin/showfield?f=doc&state=4808:e3vurg.4.2>, Feb. 24, 2018. 2 pages.\*

\* cited by examiner

*Primary Examiner* — Rosemary K Tarcza

*Assistant Examiner* — Christy M Nemeth

(74) *Attorney, Agent, or Firm* — Zhigang Ma

(57) **CLAIM**

The ornamental design for a smart socket, as shown and described.

**DESCRIPTION**

FIG. 1 is a perspective view of a smart socket, showing our new design;

FIG. 2 is a front view thereof;

FIG. 3 is a rear view thereof;

FIG. 4 is a left side view thereof;

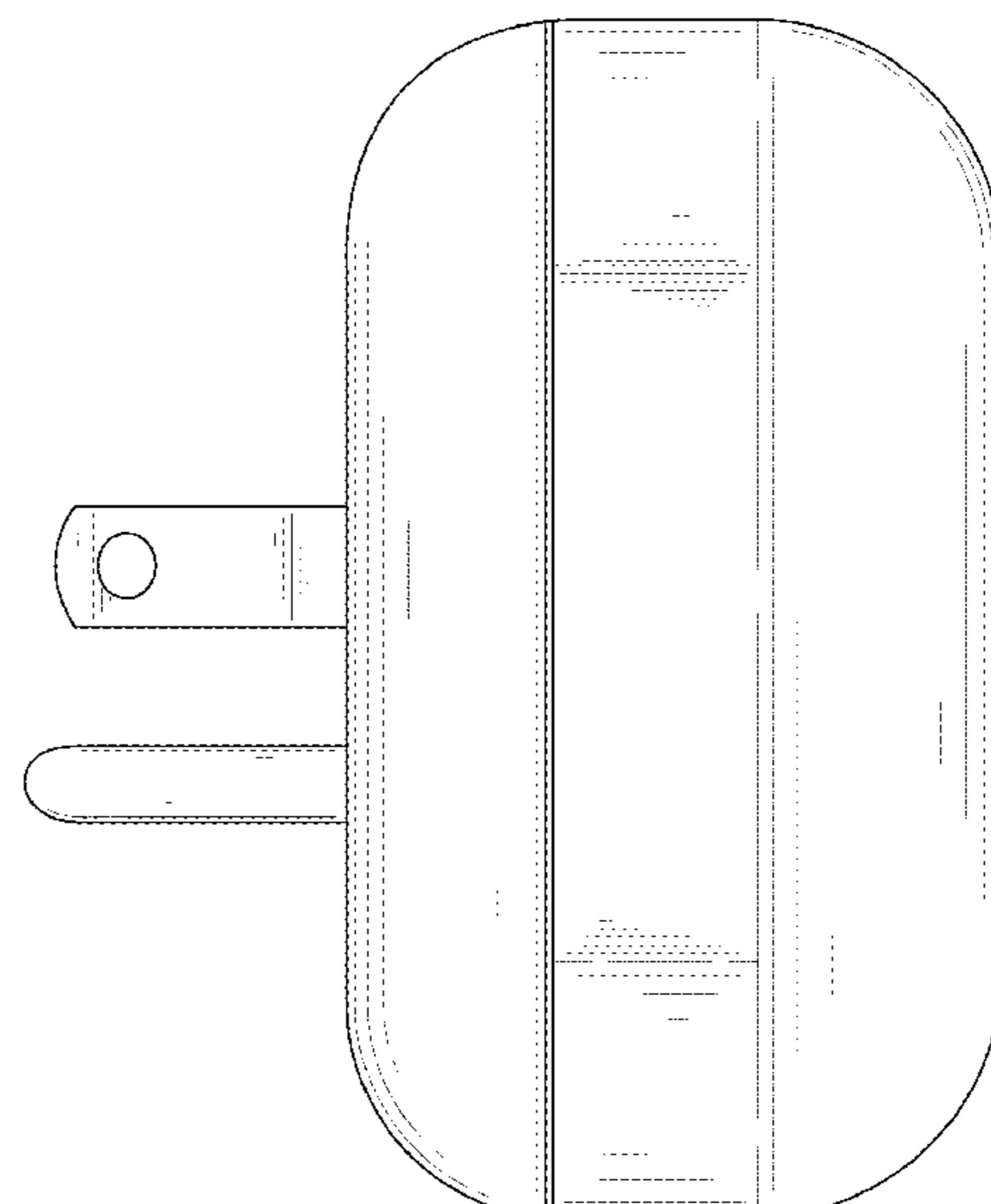
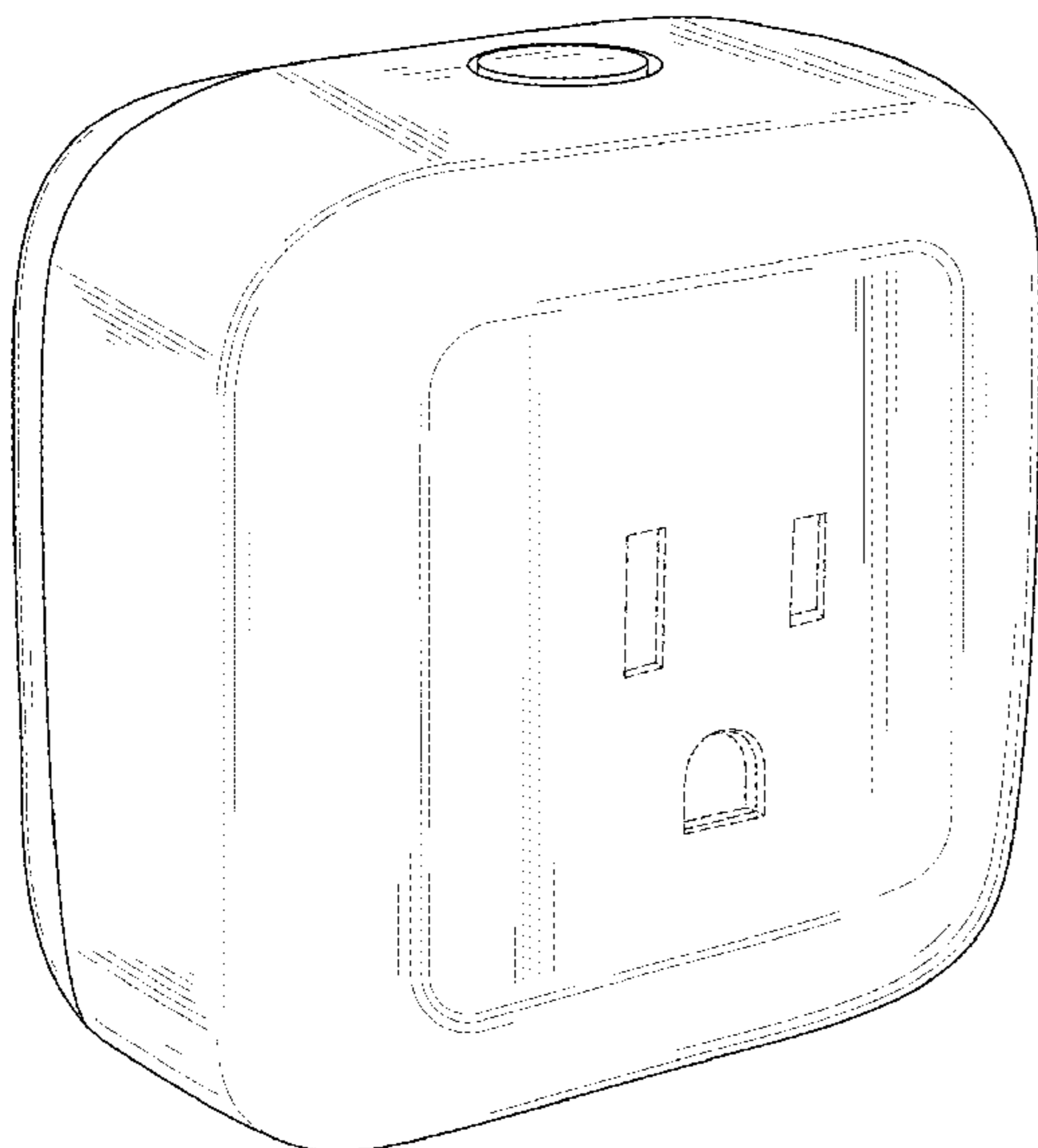
FIG. 5 is a right side view thereof;

FIG. 6 is a bottom view thereof; and,

FIG. 7 is a top view thereof.

The broken lines in the drawings are for the purpose of illustrating portions of the smart socket and form no part of the claimed design.

**1 Claim, 7 Drawing Sheets**



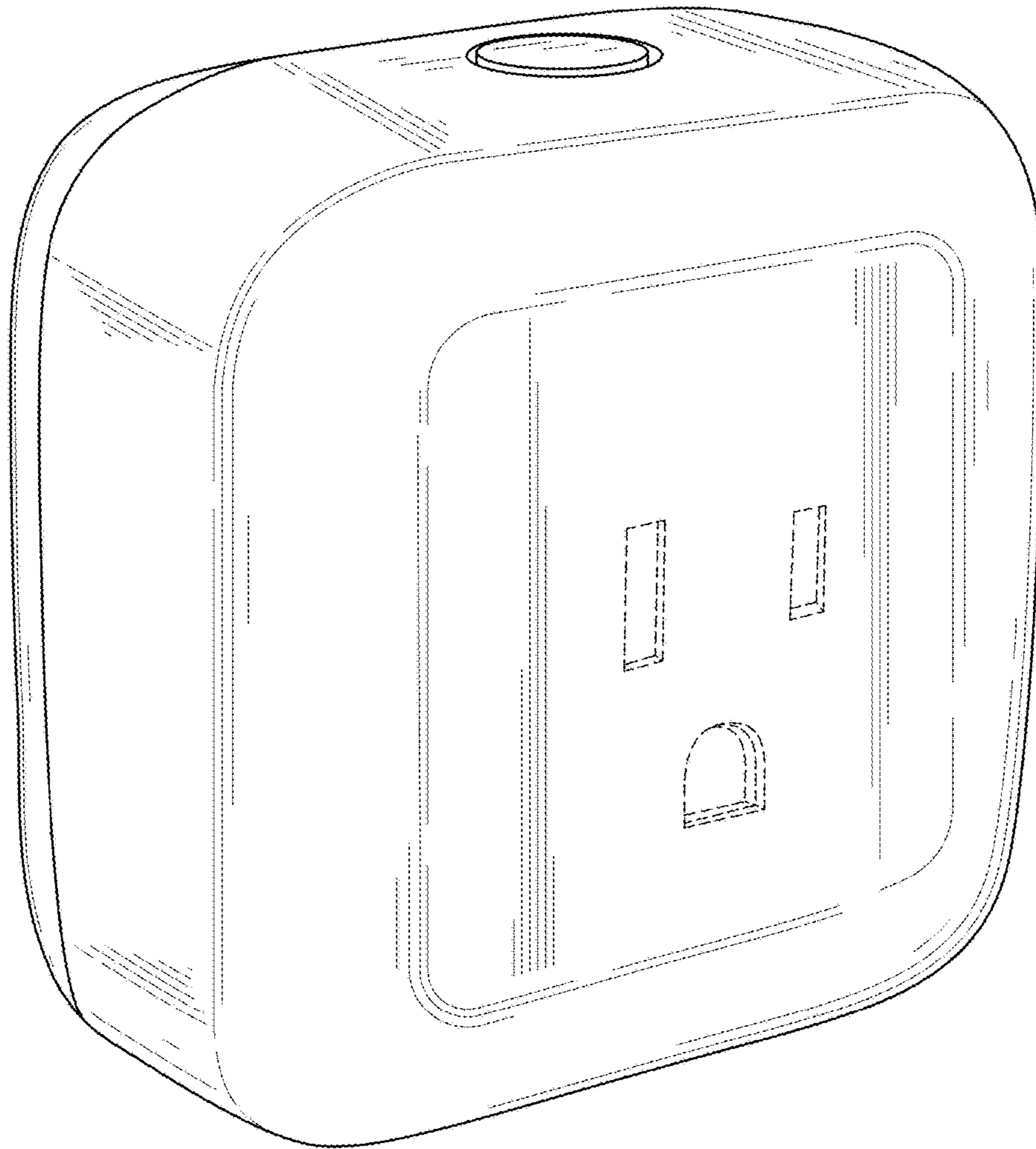


FIG. 1

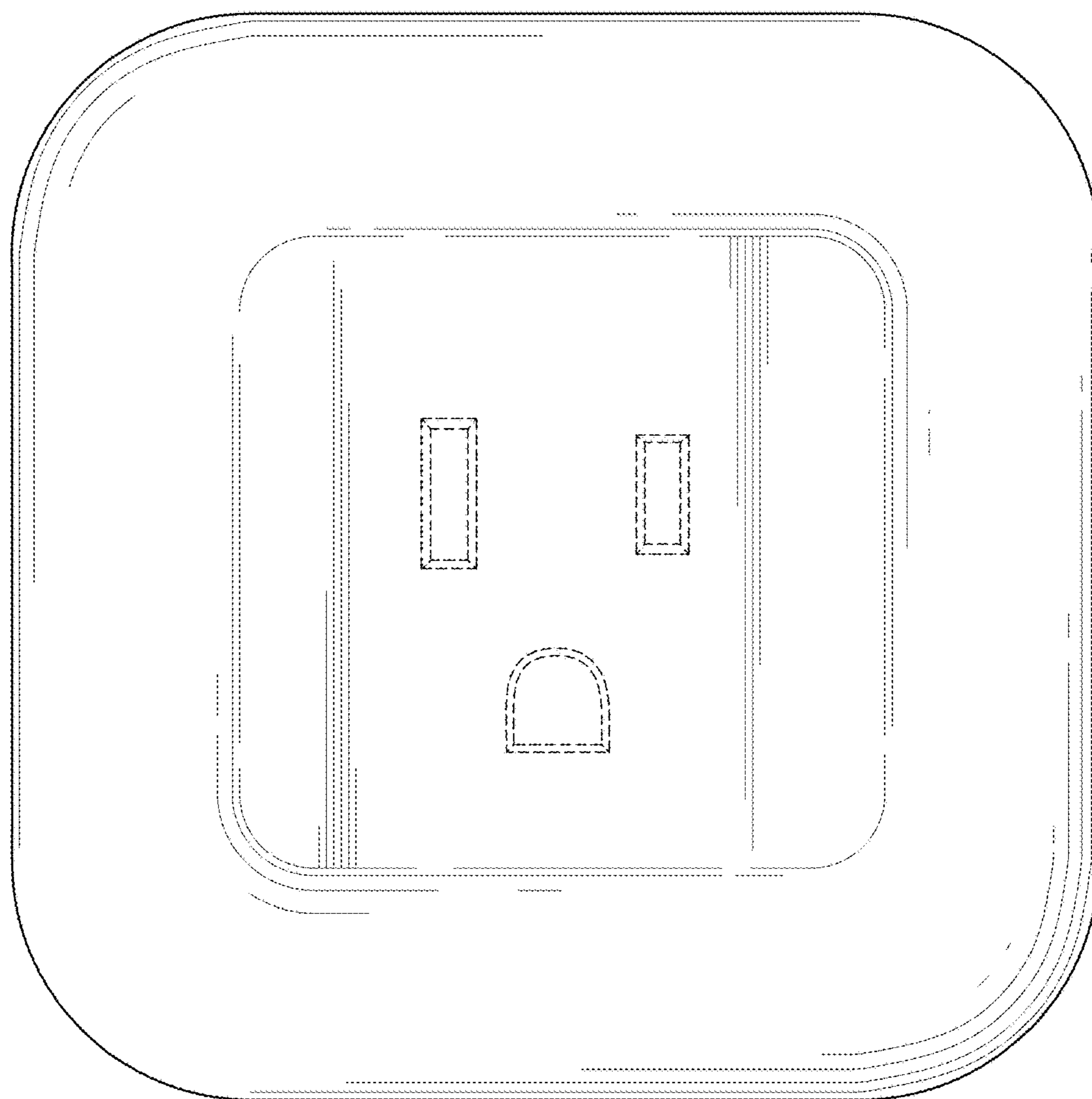


FIG. 2



FIG. 3

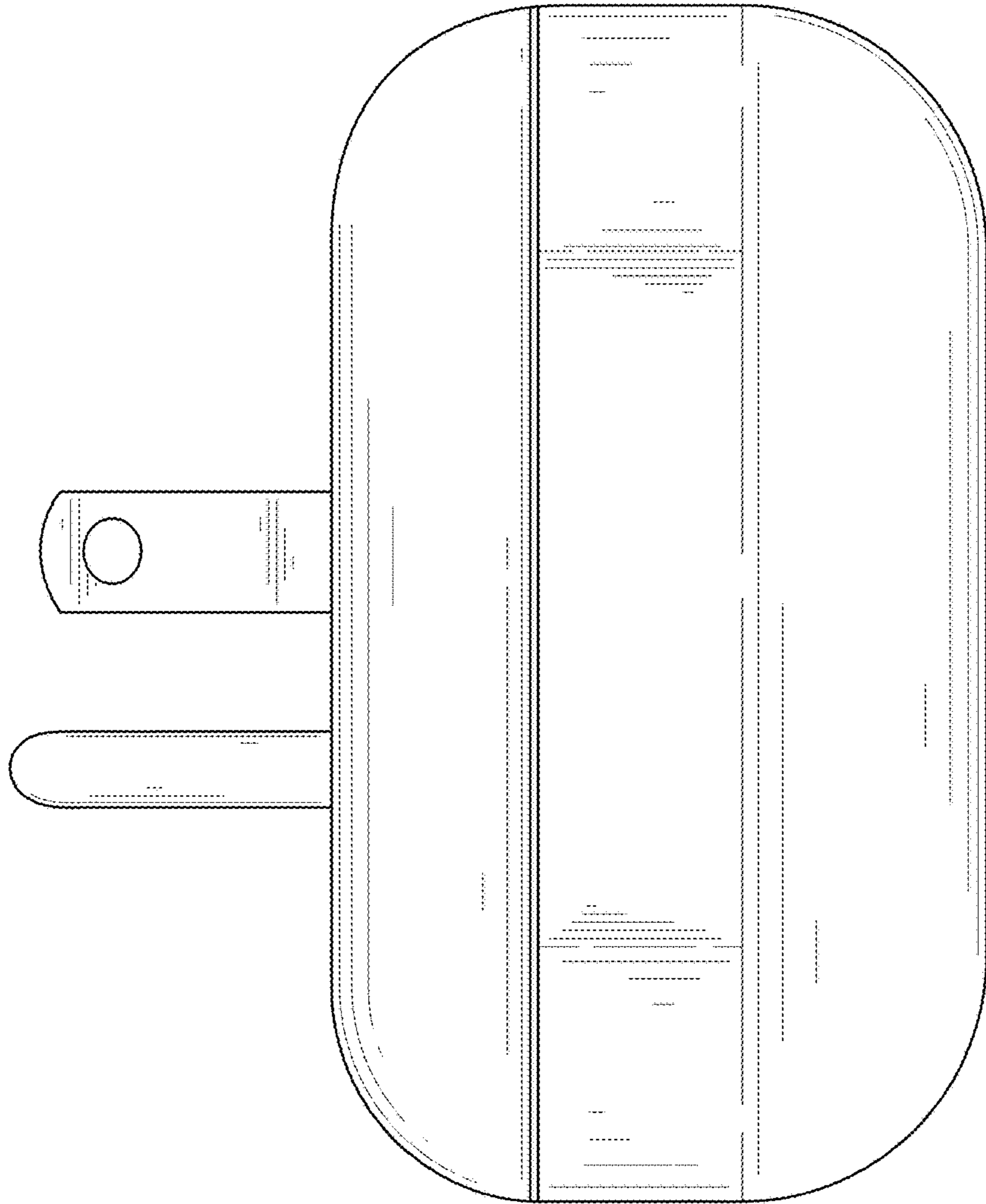


FIG. 4

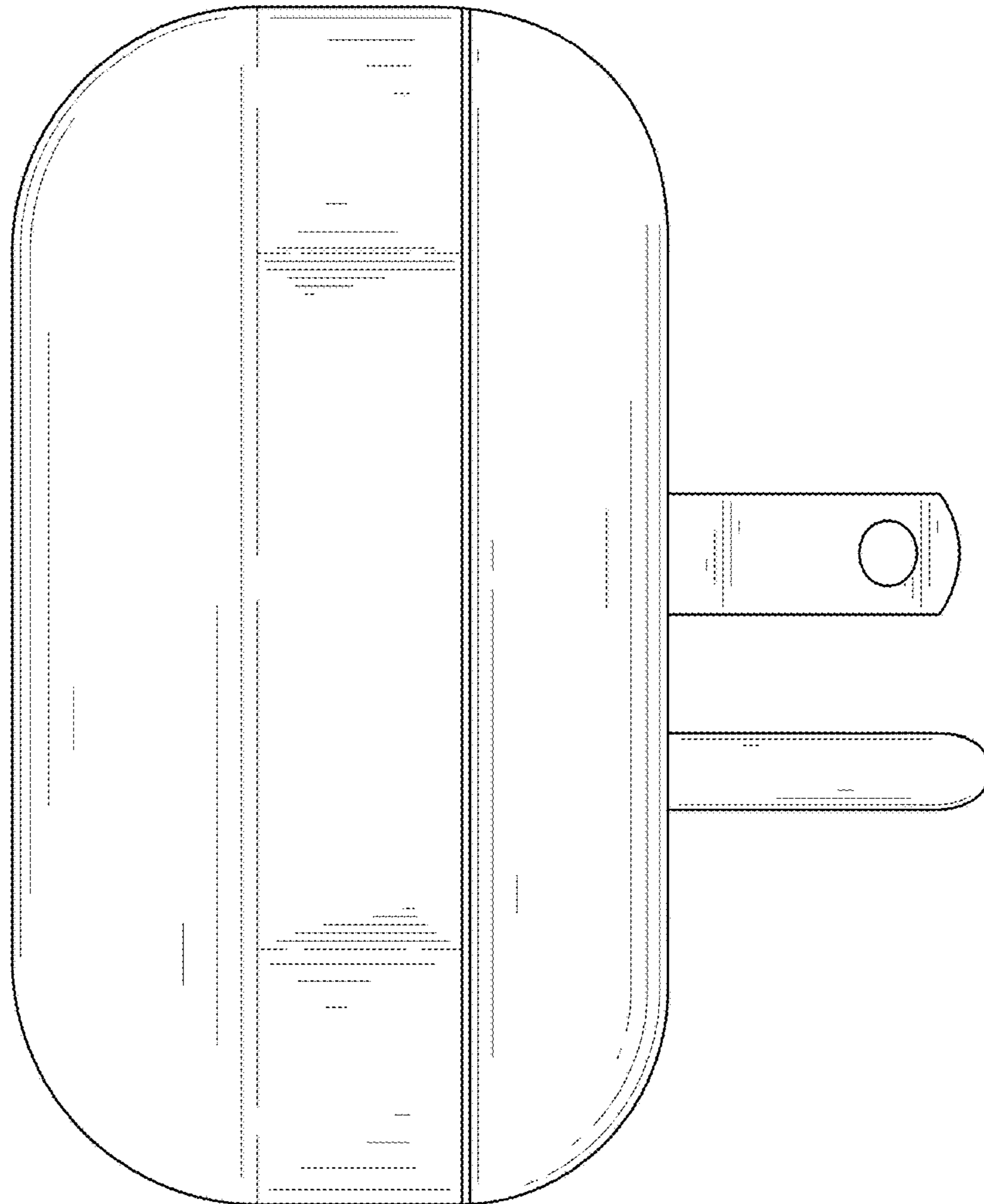


FIG. 5

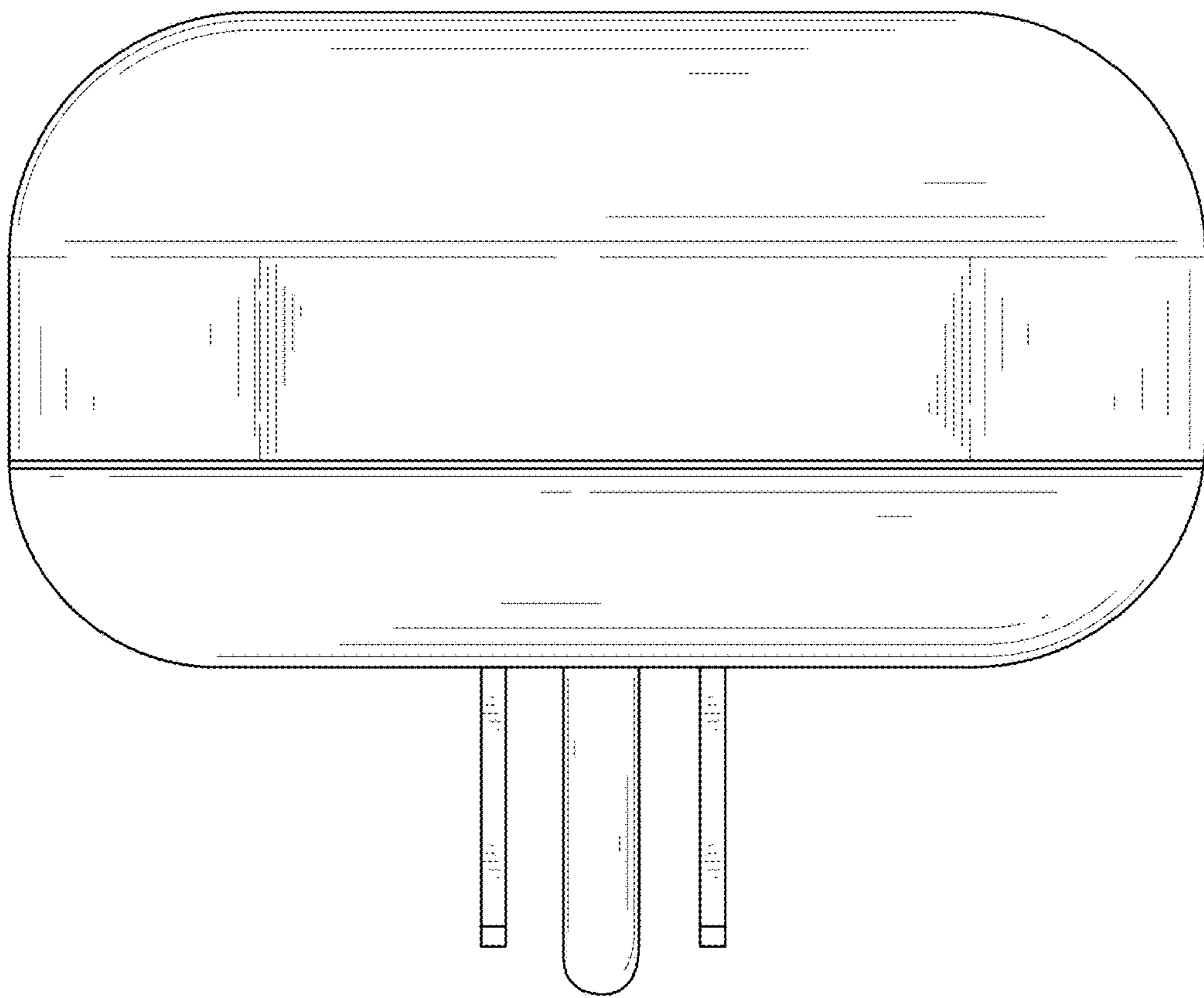


FIG. 6

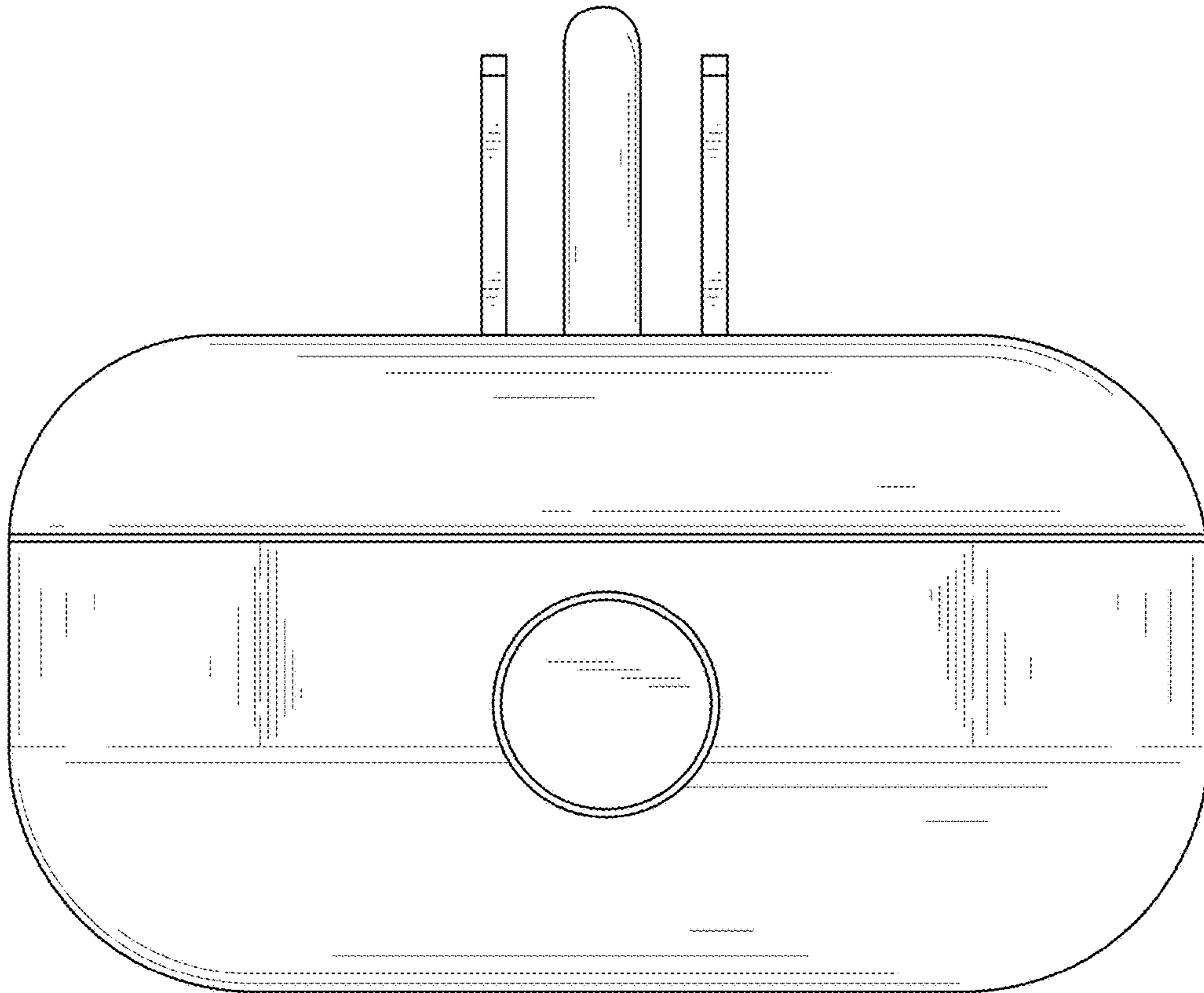


FIG. 7