



US00D859309S

(12) **United States Design Patent**
Zhang et al.

(10) **Patent No.:** **US D859,309 S**

(45) **Date of Patent:** **** Sep. 10, 2019**

(54) **RECEPTACLE CONNECTOR AND PLUG CONNECTOR SET**

(71) Applicant: **FOXCONN INTERCONNECT TECHNOLOGY LIMITED**, Grand Cayman (KY)

(72) Inventors: **Teng-Fei Zhang**, Kunshan (CN); **Jian-Kuang Zhu**, Kunshan (CN); **Kuo-Chun Hsu**, New Taipei (TW)

(73) Assignee: **FOXCONN INTERCONNECT TECHNOLOGY LIMITED**, Grand Cayman (KY)

(**) Term: **15 Years**

(21) Appl. No.: **29/610,228**

(22) Filed: **Jul. 11, 2017**

(30) **Foreign Application Priority Data**

Jan. 12, 2017 (CN) 2017 3 0011911

(51) **LOC (12) Cl.** **13-03**

(52) **U.S. Cl.**
USPC **D13/133**

(58) **Field of Classification Search**
USPC D13/152, 119, 147, 156, 177, 184, 107, D13/108, 110, 123, 133, 137.1-137.4,
(Continued)

(56) **References Cited**

U.S. PATENT DOCUMENTS

D408,788 S * 4/1999 Homma D13/147
D517,493 S * 3/2006 Katoh D13/147
(Continued)

FOREIGN PATENT DOCUMENTS

CN 204793516 U 11/2015
TW M498984 9/2014

Primary Examiner — Rosemary K Tarcza

Assistant Examiner — Christy M Nemeth

(74) *Attorney, Agent, or Firm* — Wei Te Chung; Ming Chieh Chang

(57) **CLAIM**

The ornamental design for a receptacle connector and plug connector set, as shown and described.

DESCRIPTION

FIG. 1 is a front, top and right side perspective view of a receptacle connector showing our new design;

FIG. 2 is a front elevational view of the receptacle connector;

FIG. 3 is a rear elevational view of the receptacle connector; FIG. 4 is a left side elevational view of the receptacle connector;

FIG. 5 is a right side elevational view of the receptacle connector;

FIG. 6 is a top plan view of the receptacle connector;

FIG. 7 is a bottom plan view of the receptacle connector;

FIG. 8 is a front, top and right side perspective view of a plug connector showing our new design;

FIG. 9 is a front elevational view of the plug connector;

FIG. 10 is a rear elevational view of the plug connector; FIG. 11 is a left side elevational view of the plug connector;

FIG. 12 is a right side elevational view of the plug connector;

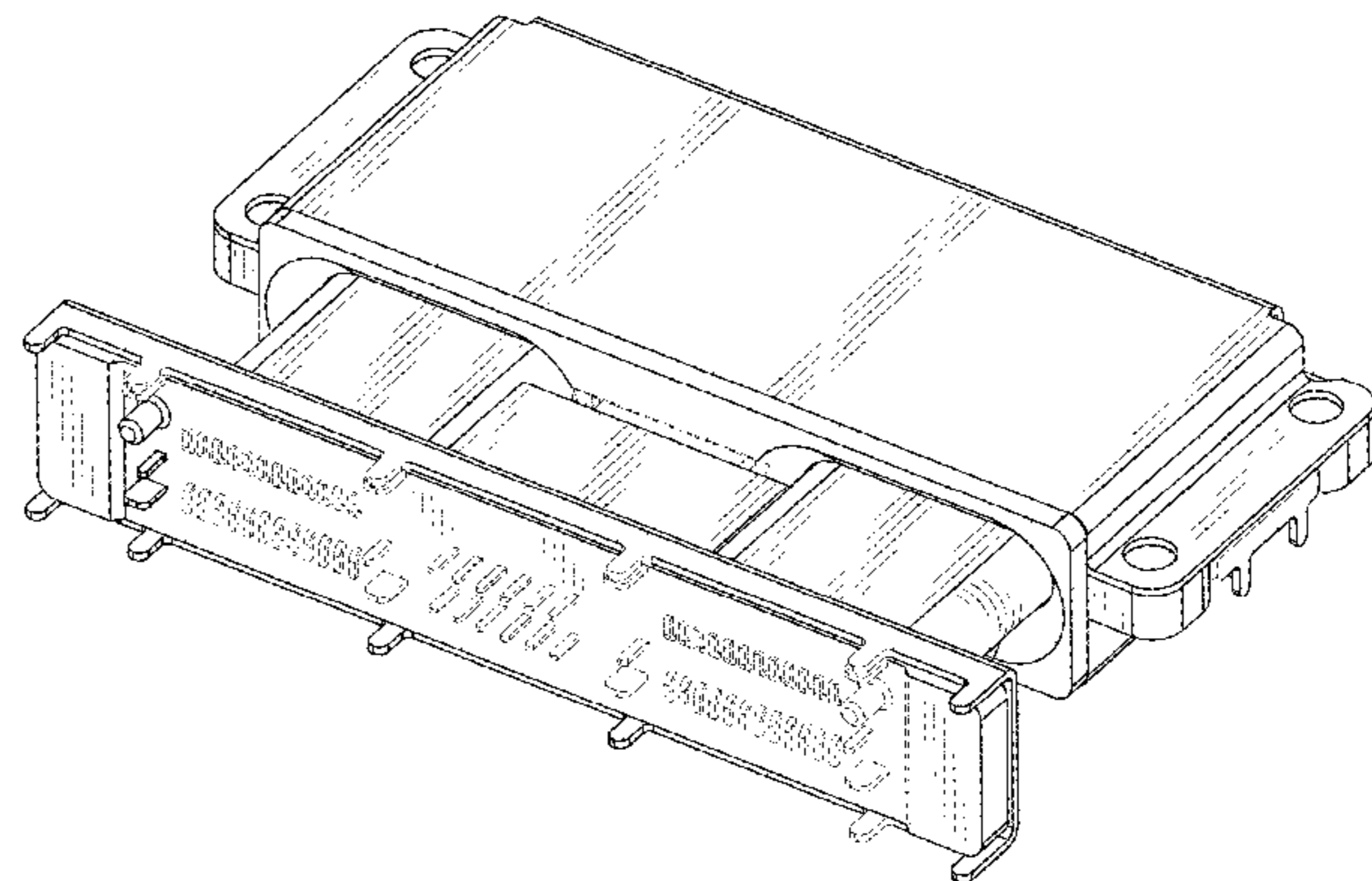
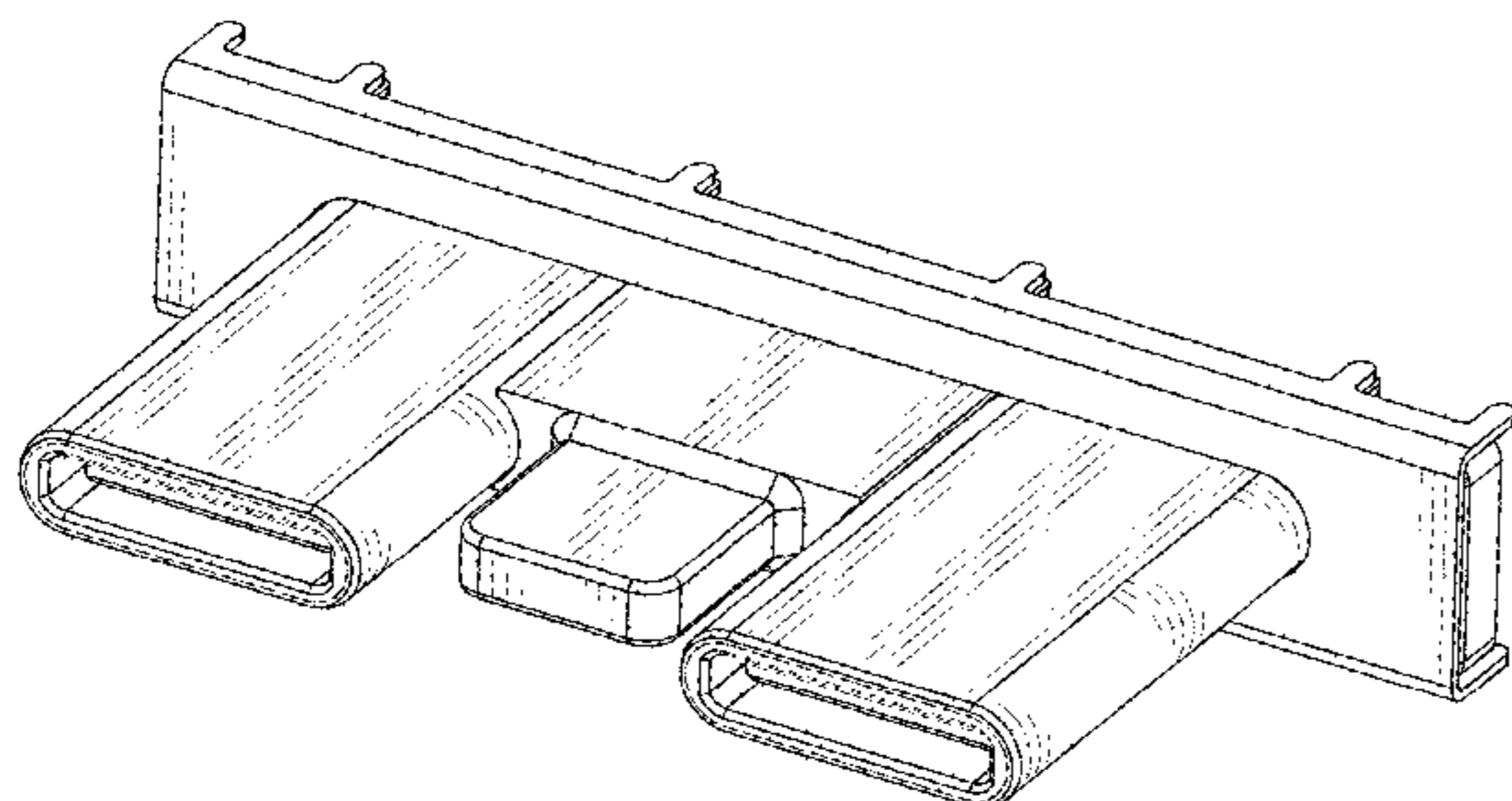
FIG. 13 is a top plan view of the plug connector;

FIG. 14 is a bottom plan view of the plug connector; and, FIG. 15 is a perspective view showing an engagement of the plug connector and the receptacle connector.

The receptacle connector and plug connector have been shown separately in FIGS. 1-7 and 8-14 to show aspects of the design that may not be apparent in the other views.

The broken lines in the drawings are for the purpose of illustrating portions of the receptacle connector and plug connector set that form no part of the claimed design.

1 Claim, 15 Drawing Sheets



(58) **Field of Classification Search**

USPC ... D13/138.1–138.2, 139.1–139.8, 153, 154,
D13/146, 158, 160; D8/350, 351–353;
D25/119, 127, 134, 48.4; D26/74, 138
CPC F21S 8/02; F21V 23/00; F21V 23/001;
H01R 25/00; H01R 25/006; H01R 11/00;
H01R 9/00; H01R 13/5845; H01R 13/72;
H01R 31/06; H01R 24/28; H01R 13/46;
F16J 13/10; F16B 5/02; H02J 2007/0062;
H01B 7/2806

See application file for complete search history.

(56) **References Cited**

U.S. PATENT DOCUMENTS

D626,078	S	*	10/2010	Kondo	D13/147
D678,209	S	*	3/2013	Kondo	D13/147
D733,659	S	*	7/2015	Zhu	D13/147
D765,030	S	*	8/2016	Tyler	D13/119
D789,302	S	*	6/2017	Hsu	D13/147
9,755,370	B2	*	9/2017	Little	H01R 13/6581
D808,341	S	*	1/2018	Kimura	D13/147
D808,342	S	*	1/2018	Yamaguchi	D13/147
D810,031	S	*	2/2018	Sprenger	D13/156
D812,568	S	*	3/2018	Kirk	D13/147
D819,573	S	*	6/2018	Li	D13/147
2018/0151985	A1	*	5/2018	Zhang	H01R 13/6582

* cited by examiner

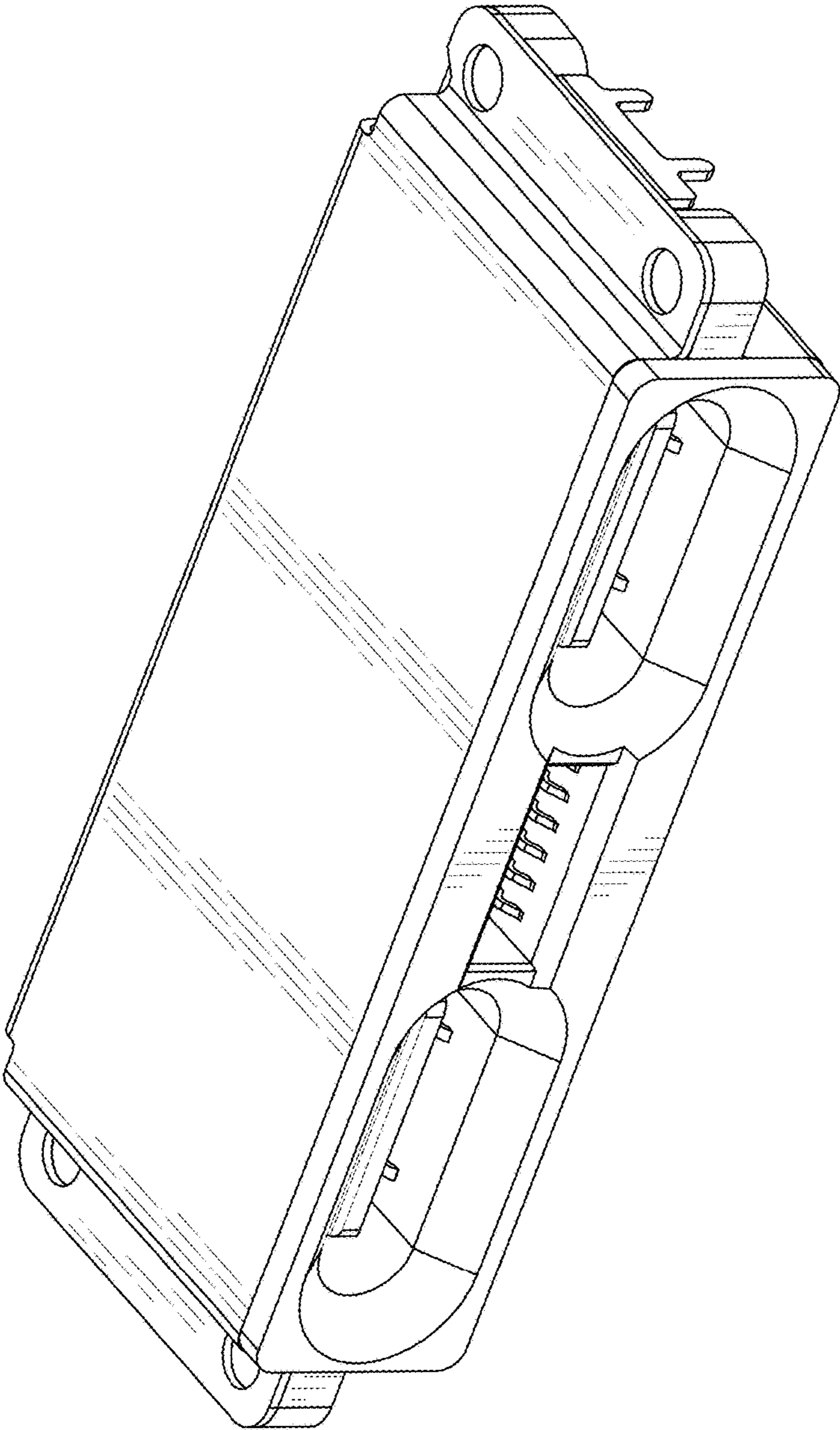


FIG. 1

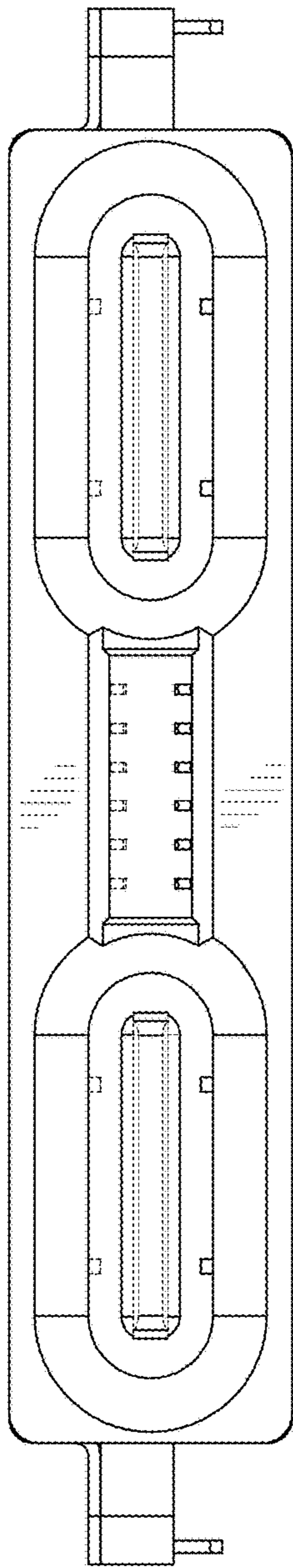


FIG. 2

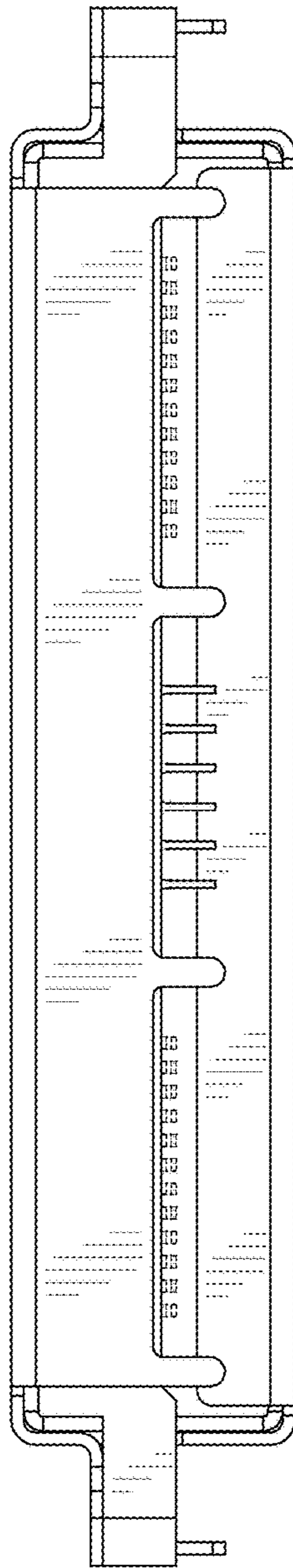


FIG. 3

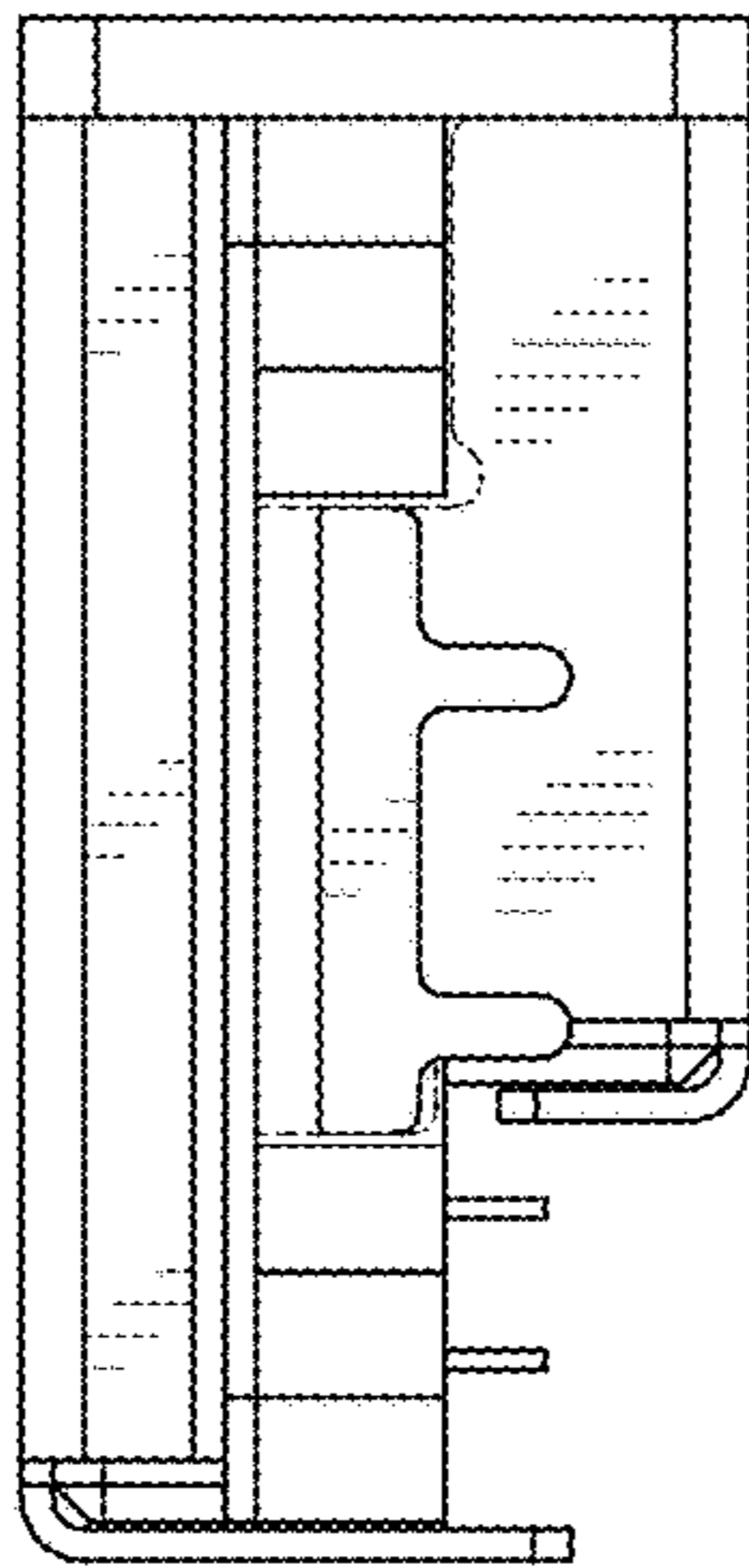


FIG. 4

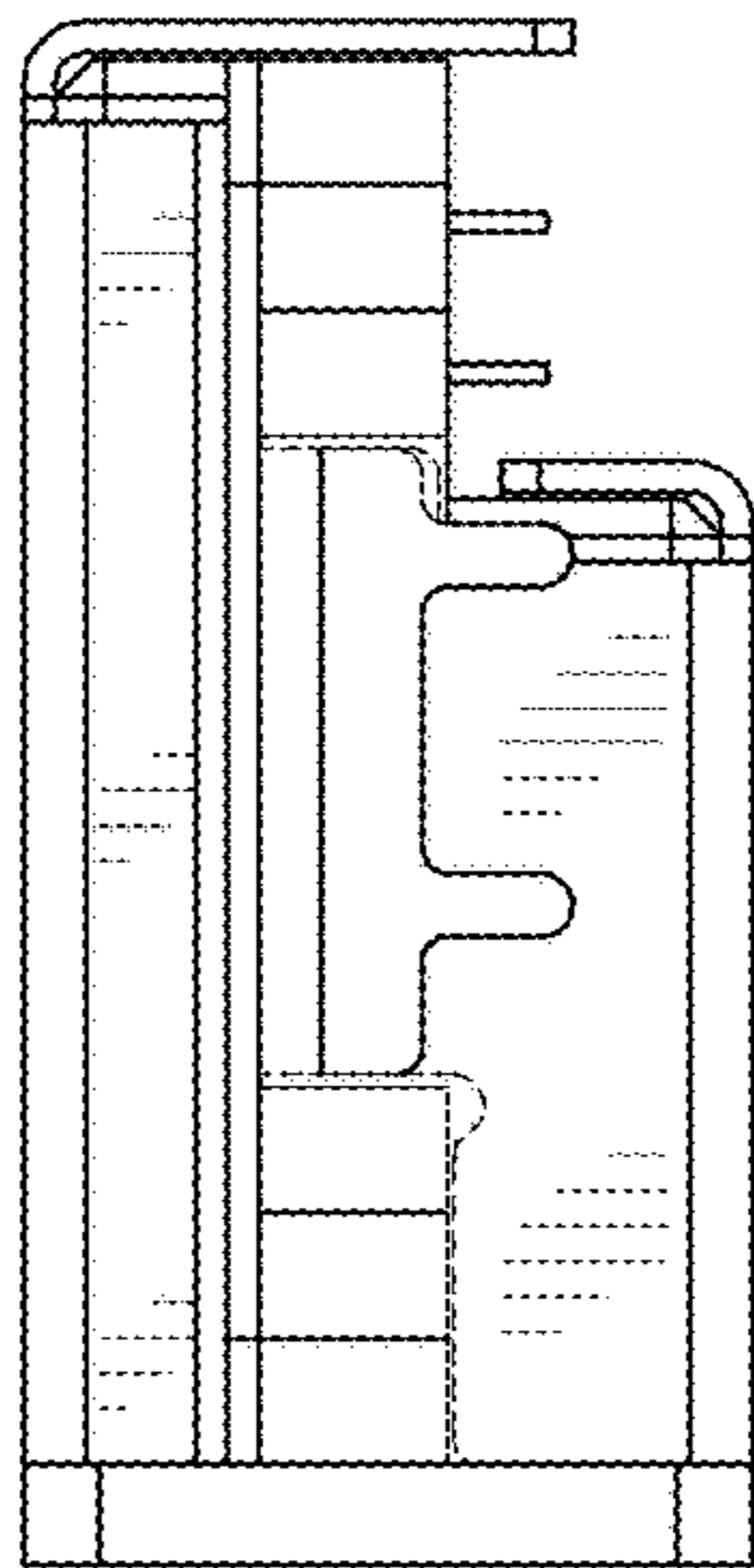


FIG. 5

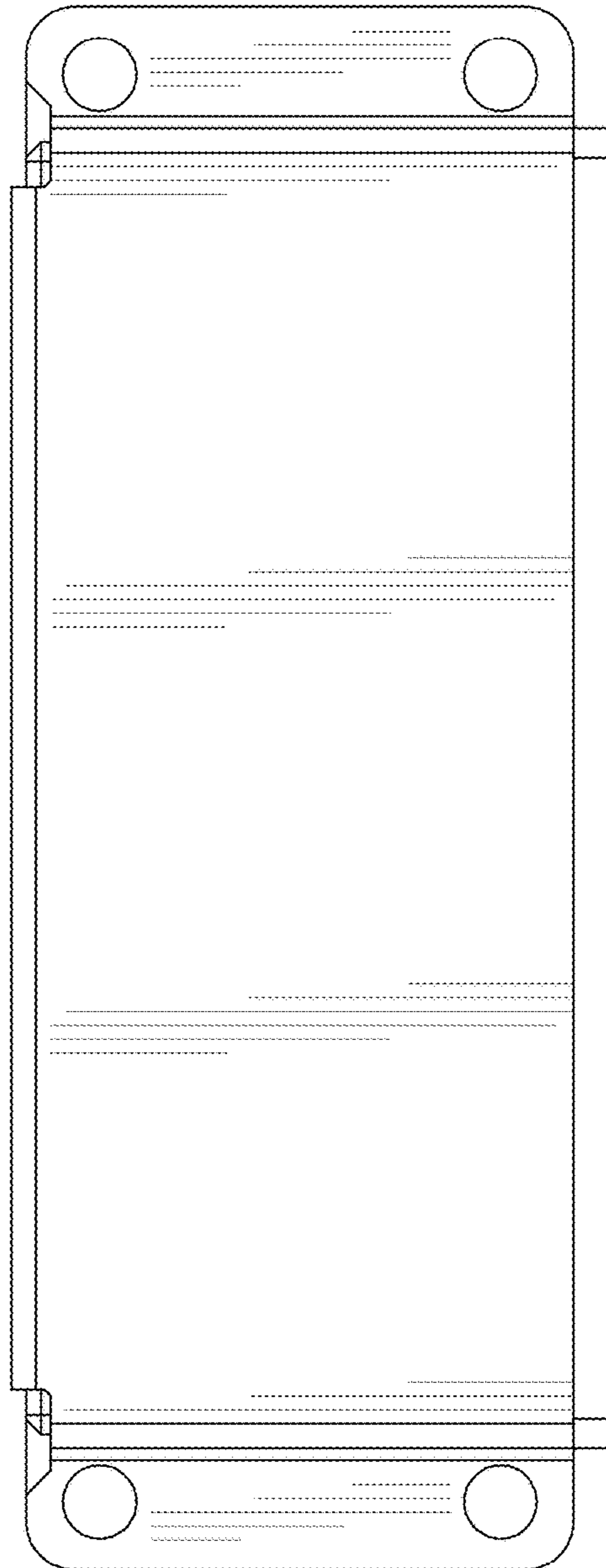


FIG. 6

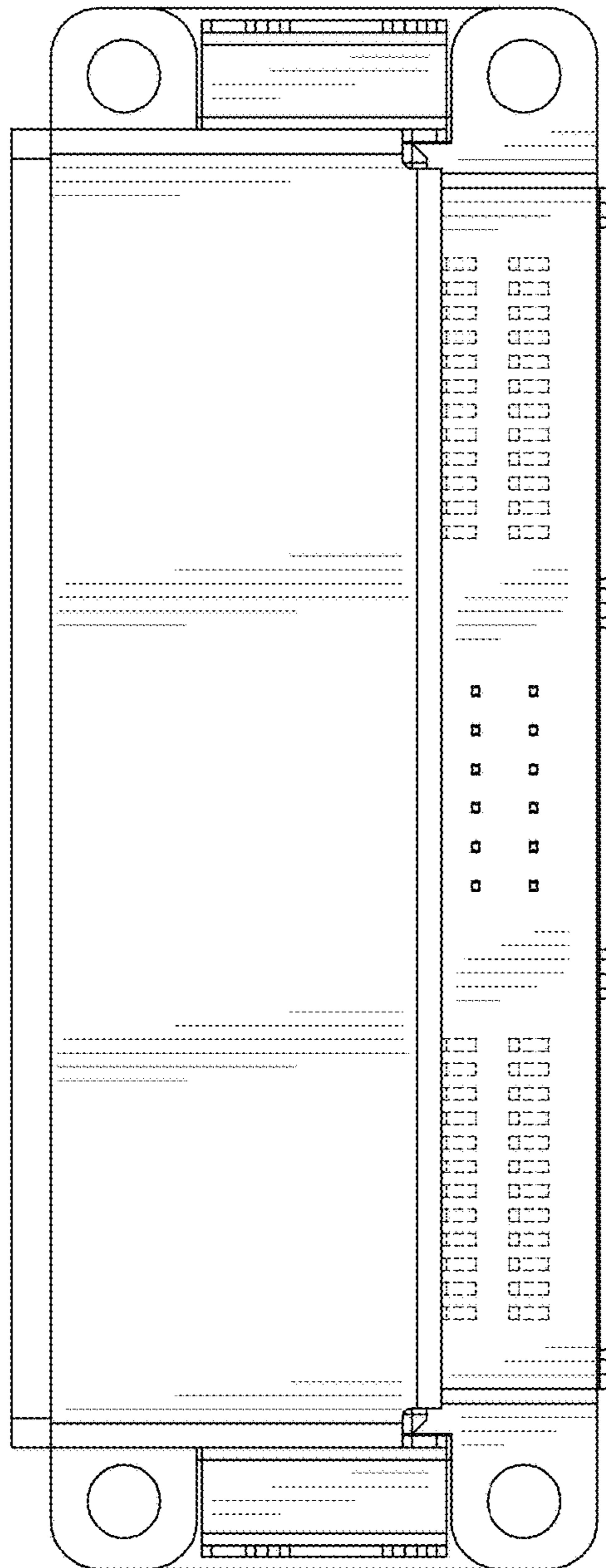


FIG. 7

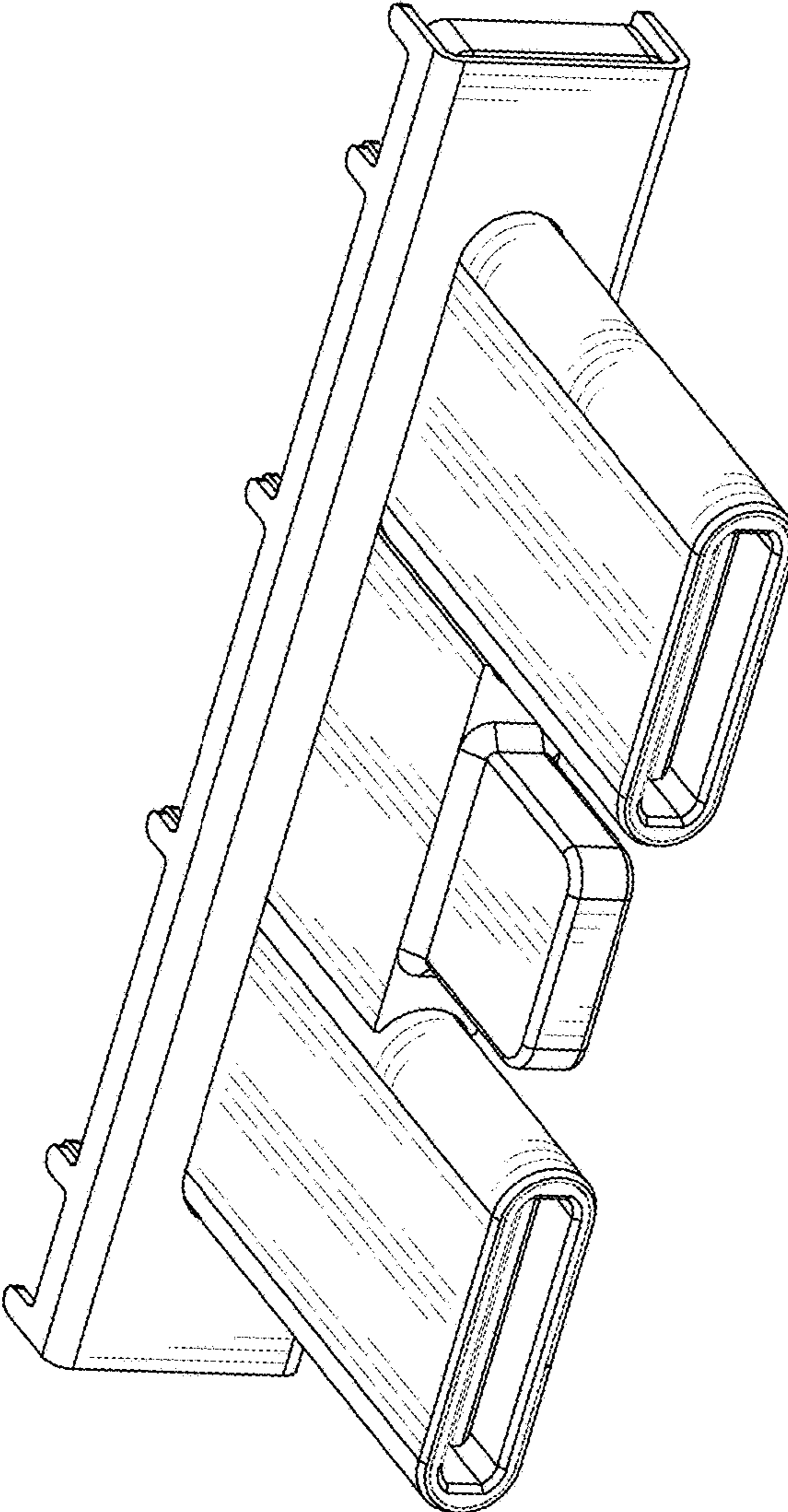


FIG. 8

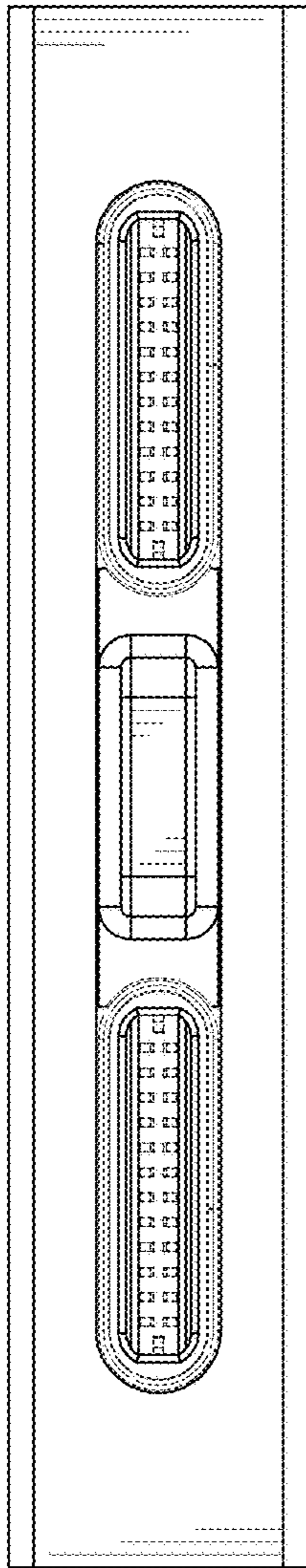


FIG. 9

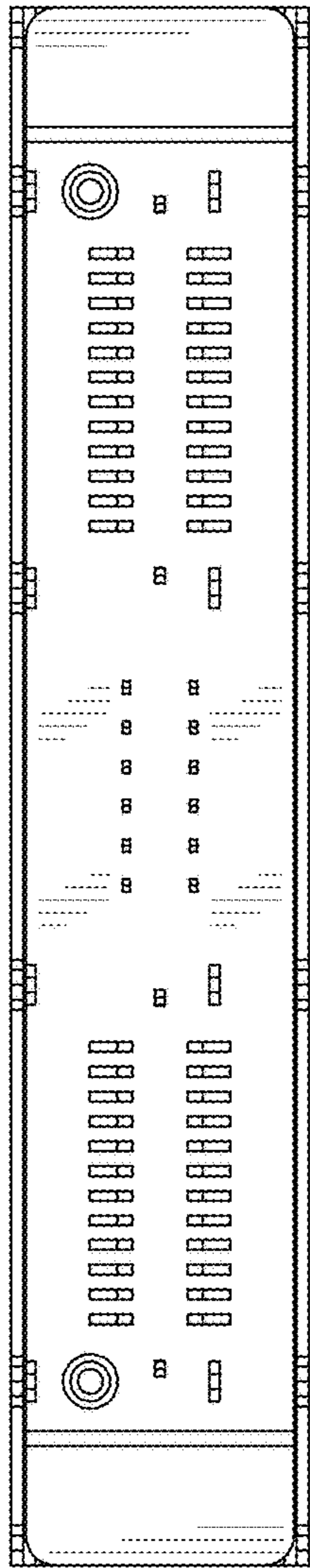


FIG. 10

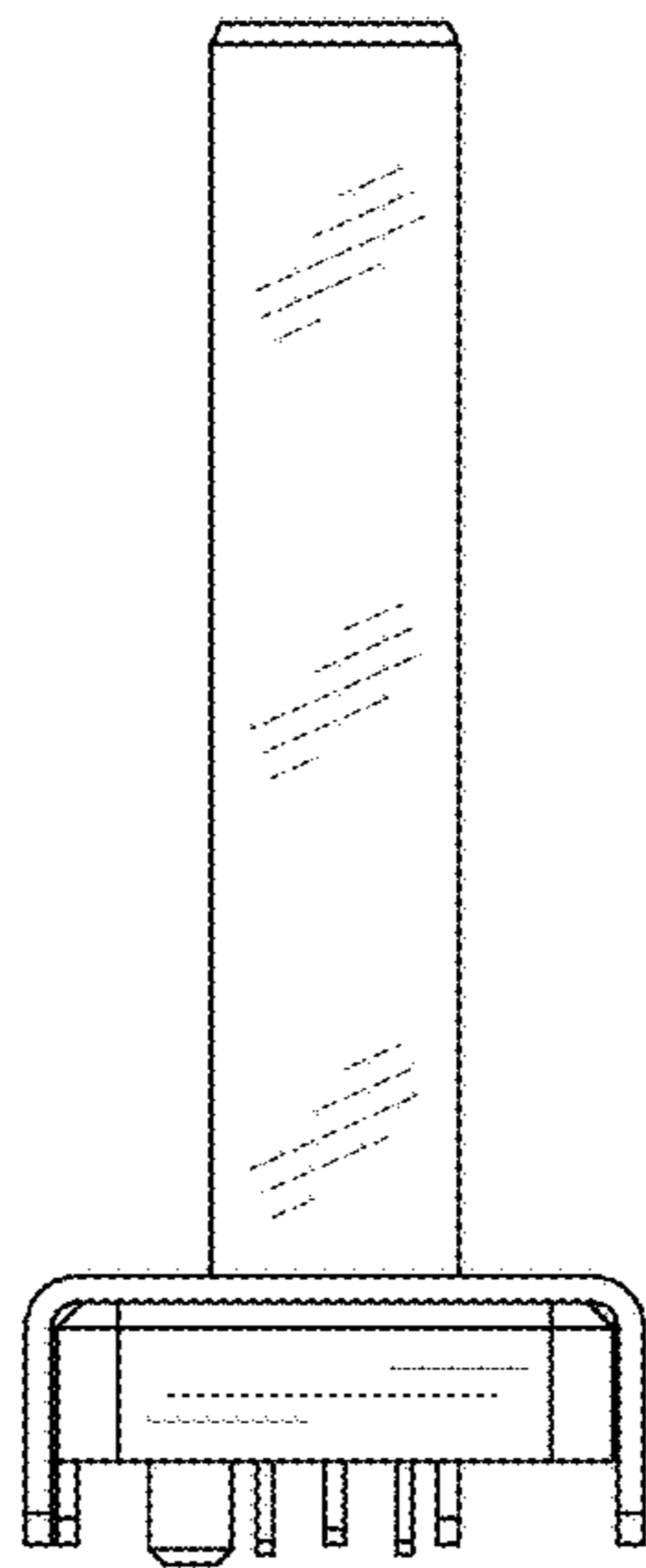


FIG. 11

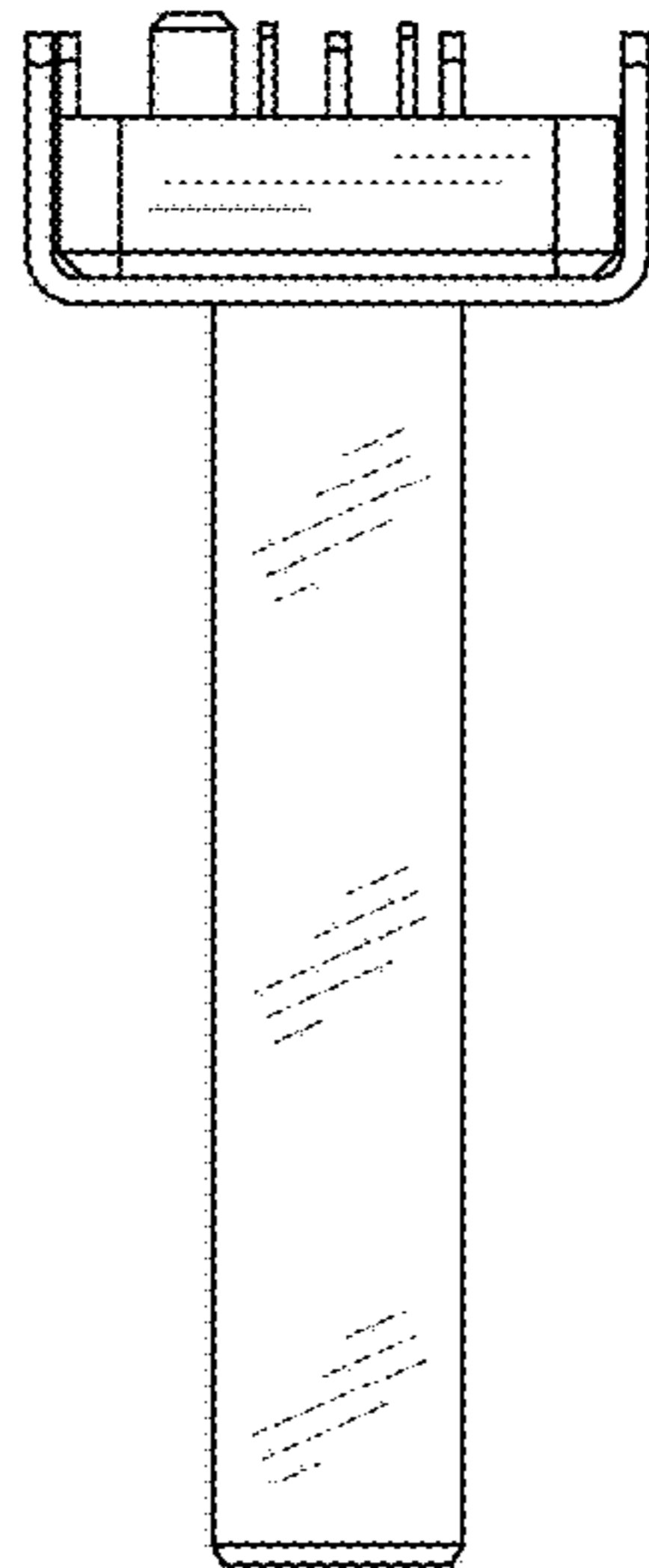


FIG. 12

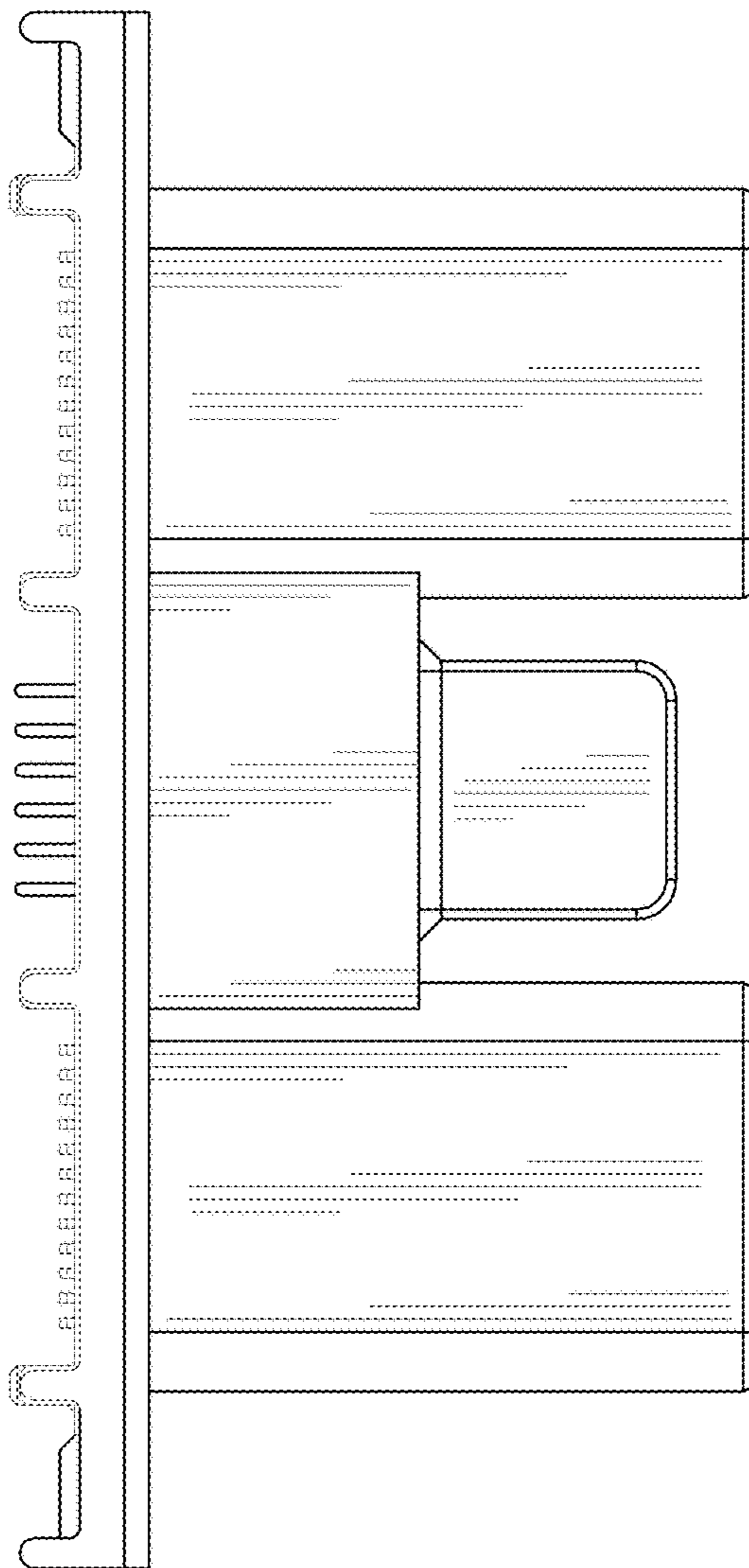


FIG. 13

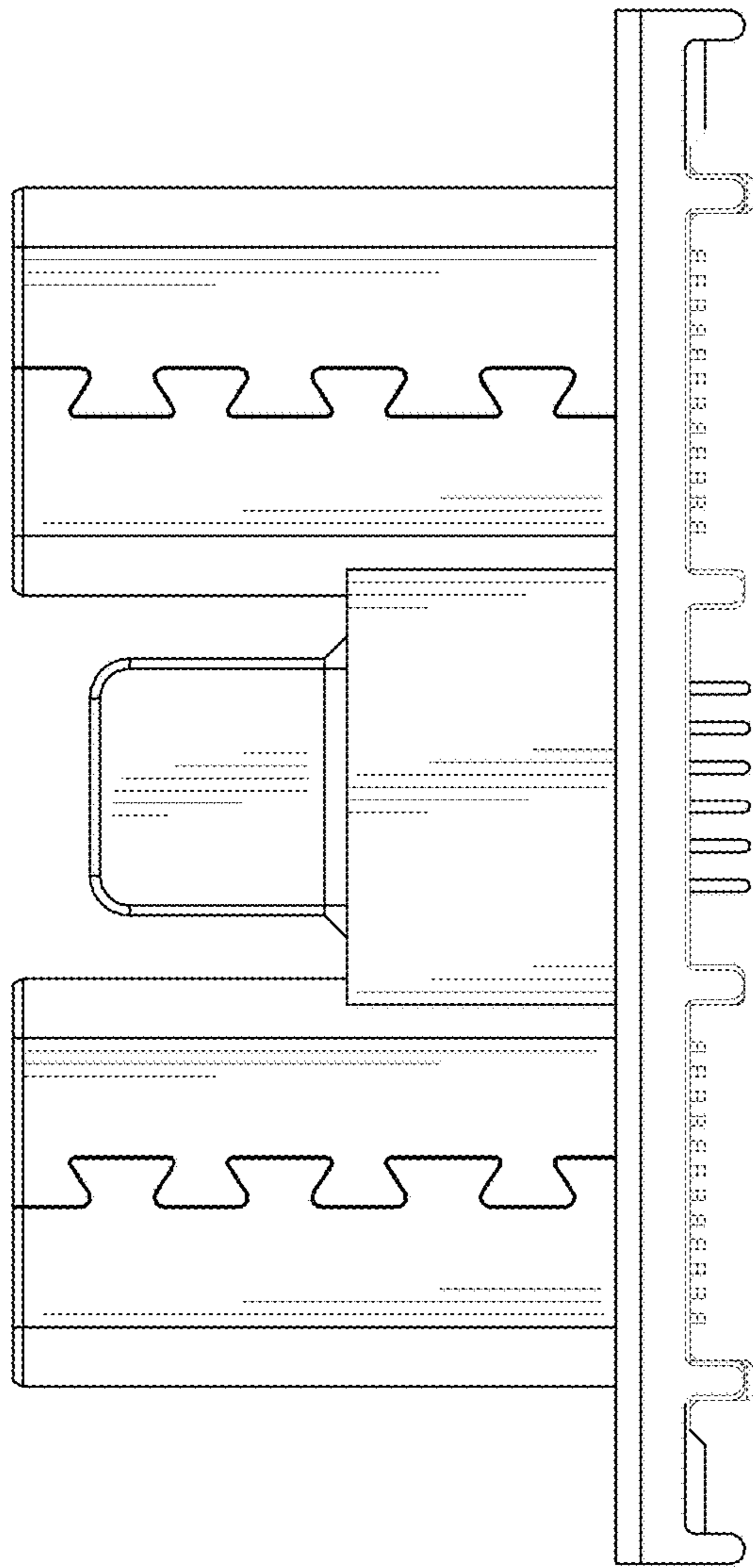


FIG. 14

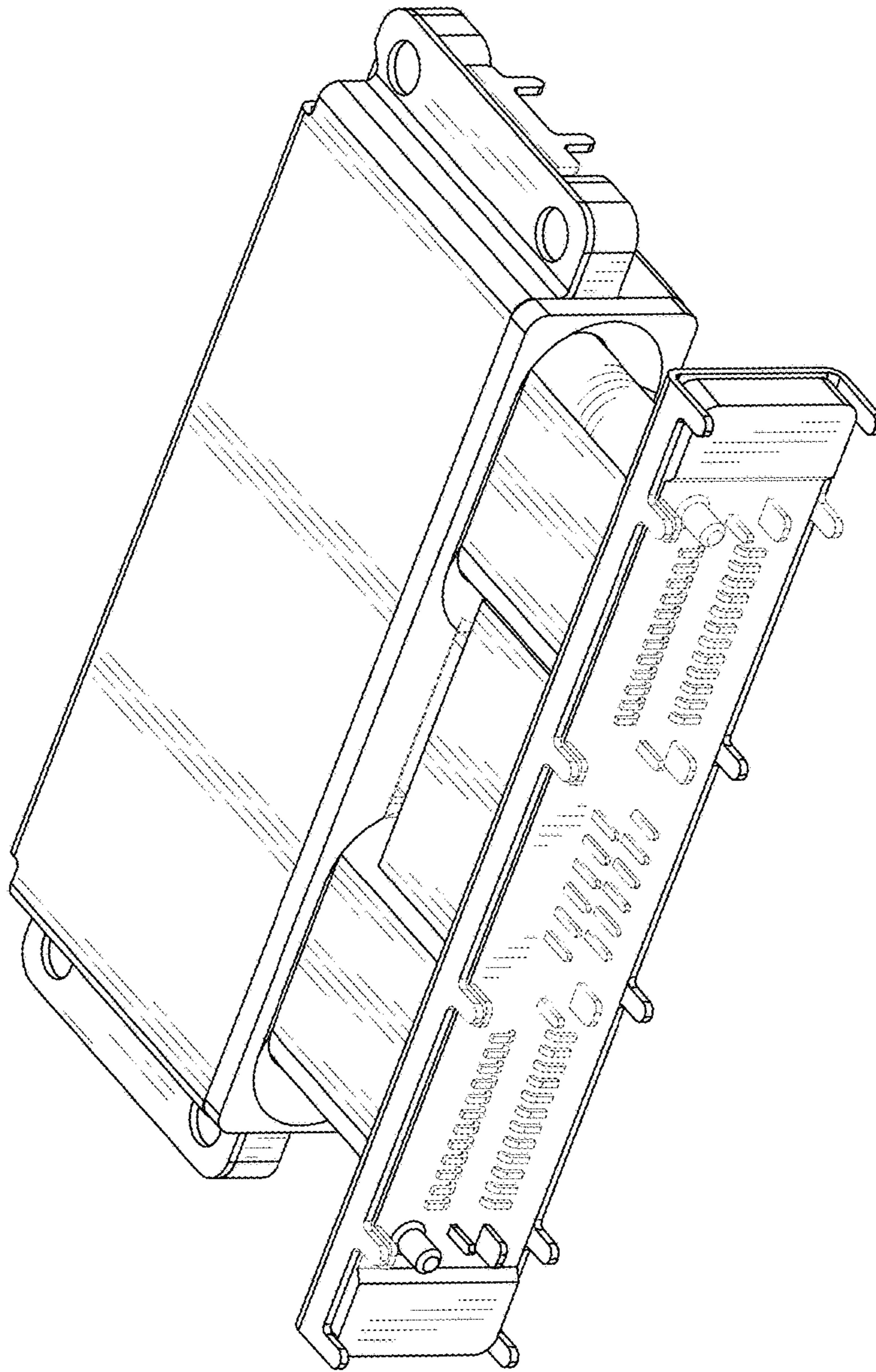


FIG. 15