



US00D859308S

(12) **United States Design Patent**
Connell et al.

(10) **Patent No.:** **US D859,308 S**

(45) **Date of Patent:** **** Sep. 10, 2019**

(54) **COMBINED PORTABLE WIRELESS POWER CHARGER AND CHARGING STAND**

(71) Applicant: **iOttie, Inc.**, New York, NY (US)

(72) Inventors: **Jeremy Michael Connell**, Brooklyn, NY (US); **Jeremy Leeds-Frank**, Mineola, NY (US); **Thomas Katsikas**, Brooklyn, NY (US); **Carlyle Patrick Yarbough**, Astoria, NY (US)

(73) Assignee: **IOTTIE, INC.**, New York, NY (US)

(**) Term: **15 Years**

(21) Appl. No.: **29/632,118**

(22) Filed: **Jan. 5, 2018**

(51) **LOC (12) Cl.** **13-02**

(52) **U.S. Cl.**
USPC **D13/108**

(58) **Field of Classification Search**
USPC D13/107–110, 118–119, 184, 199;
D14/251, 253, 432, 434
CPC Y02E 60/12; Y02T 90/14; Y02T 90/122;
Y02T 90/128; Y02T 90/163; Y02T
10/7005; Y02T 10/7088; H02J 7/025;
H02J 7/0042; H02J 7/0044; H02J 7/0045;
H02J 7/0003; H01F 38/14; H01R
13/6675; H01M 2/1022; H01M 2/1055;
H01M 10/44; H01M 10/46; H01M
10/425; B60L 11/182
See application file for complete search history.

(56) **References Cited**

U.S. PATENT DOCUMENTS

D442,141 S * 5/2001 Ikenaga D13/107
D507,526 S * 7/2005 Ohta D13/108

D520,013 S * 5/2006 Yang D14/434
D606,545 S * 12/2009 Salmon D13/108
D607,817 S * 1/2010 Tan D13/108
D637,952 S * 5/2011 Tan D13/102
D638,019 S * 5/2011 Weisshaupt D14/434
D674,336 S * 1/2013 Suzuka D13/108
D674,337 S * 1/2013 Au Yeung D13/108
D693,296 S * 11/2013 Lin D13/108
D729,248 S * 5/2015 Porter D14/434
D772,812 S * 11/2016 Choe D13/108
D788,699 S * 6/2017 Hoehn D13/107
D791,072 S * 7/2017 Hoehn D13/107
D812,564 S * 3/2018 Feng D13/108
D815,594 S * 4/2018 Chen D13/108

* cited by examiner

Primary Examiner — Rosemary K Tarcza

(74) *Attorney, Agent, or Firm* — Lucas & Mercanti, LLP

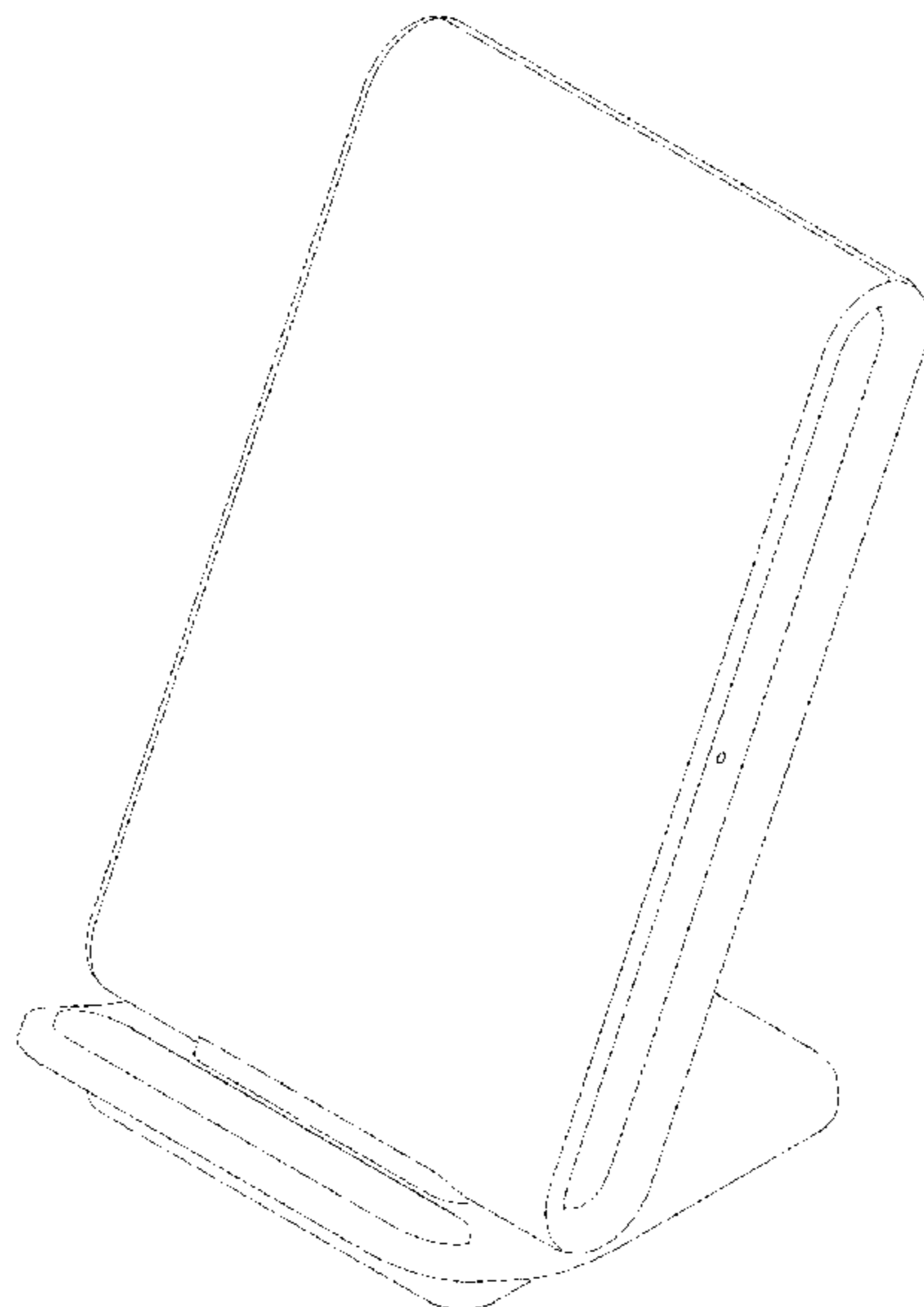
(57) **CLAIM**

The ornamental design for a combined portable wireless power charger and charging stand, as shown and described.

DESCRIPTION

FIG. 1 is a front view of a combined portable wireless power charger and charging stand showing our new design;
FIG. 2 is a rear view thereof;
FIG. 3 is a left side view thereof;
FIG. 4 is a right side view thereof;
FIG. 5 is a top view of thereof;
FIG. 6 is a bottom view thereof;
FIG. 7 is a top front right side perspective view thereof;
FIG. 8 is a bottom front left side perspective view thereof;
FIG. 9 is a top rear right side perspective view thereof; and,
FIG. 10 is a bottom rear left side perspective view thereof.

1 Claim, 10 Drawing Sheets



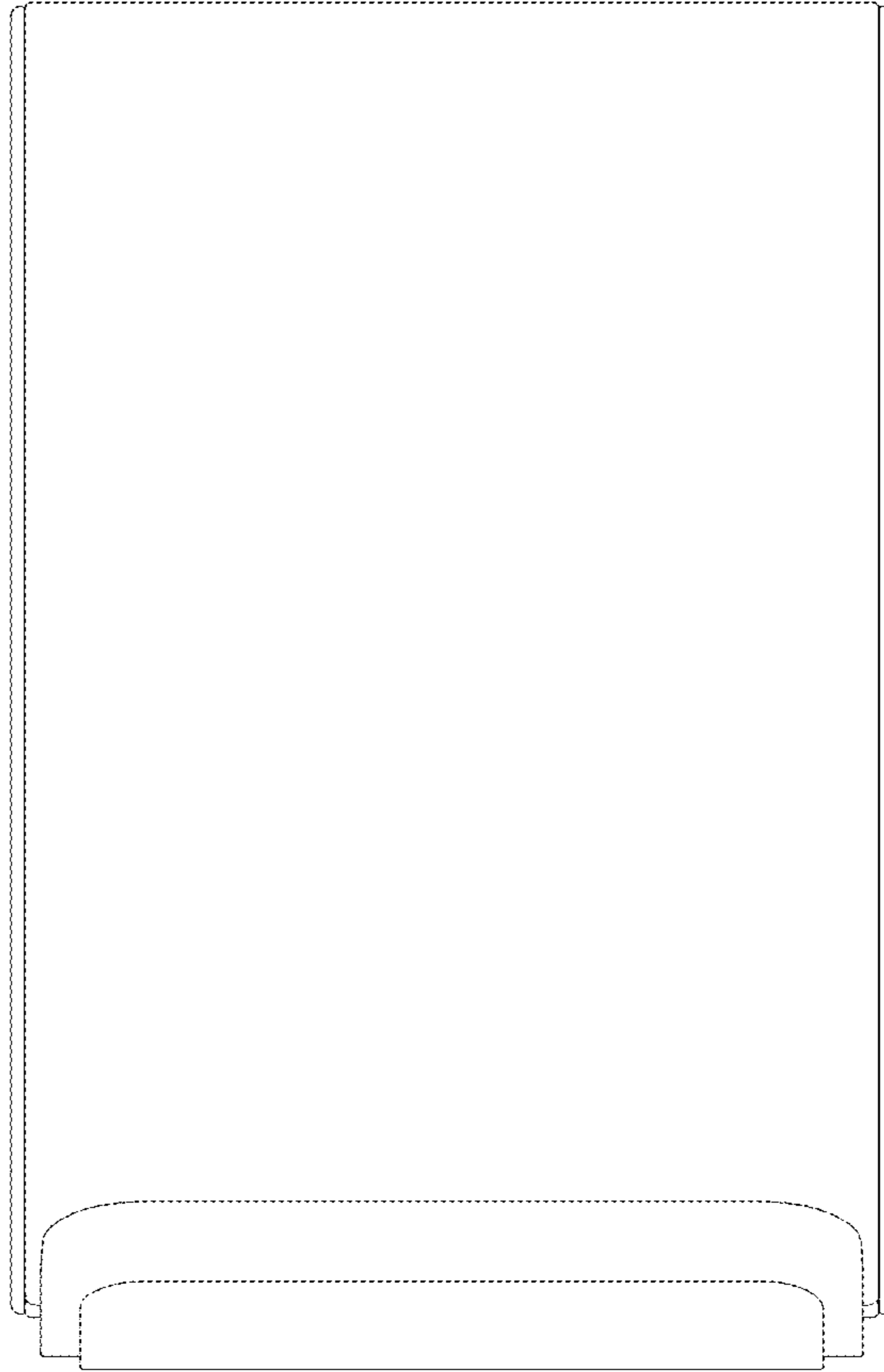


FIG. 1

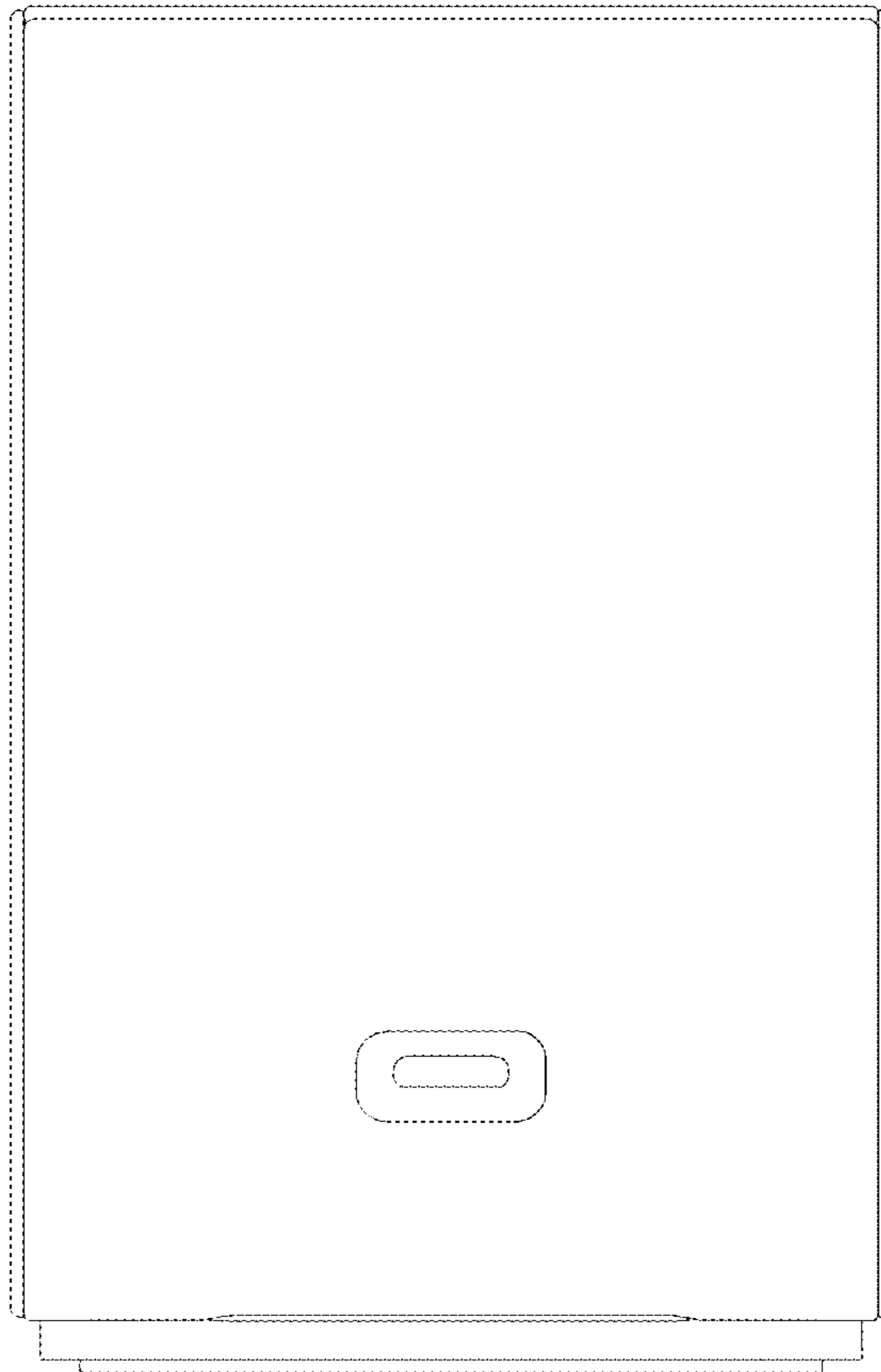


FIG.2

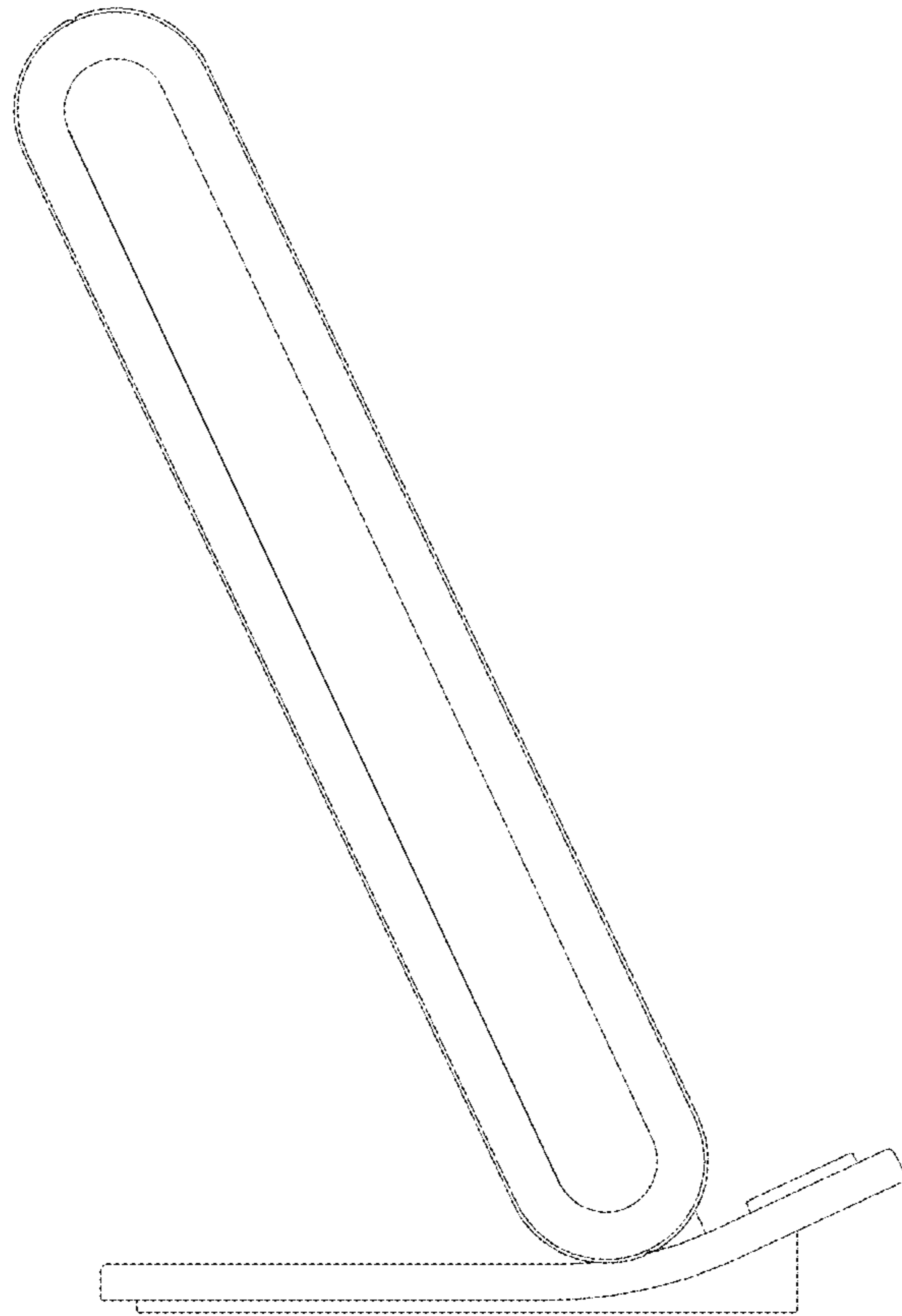


FIG.3

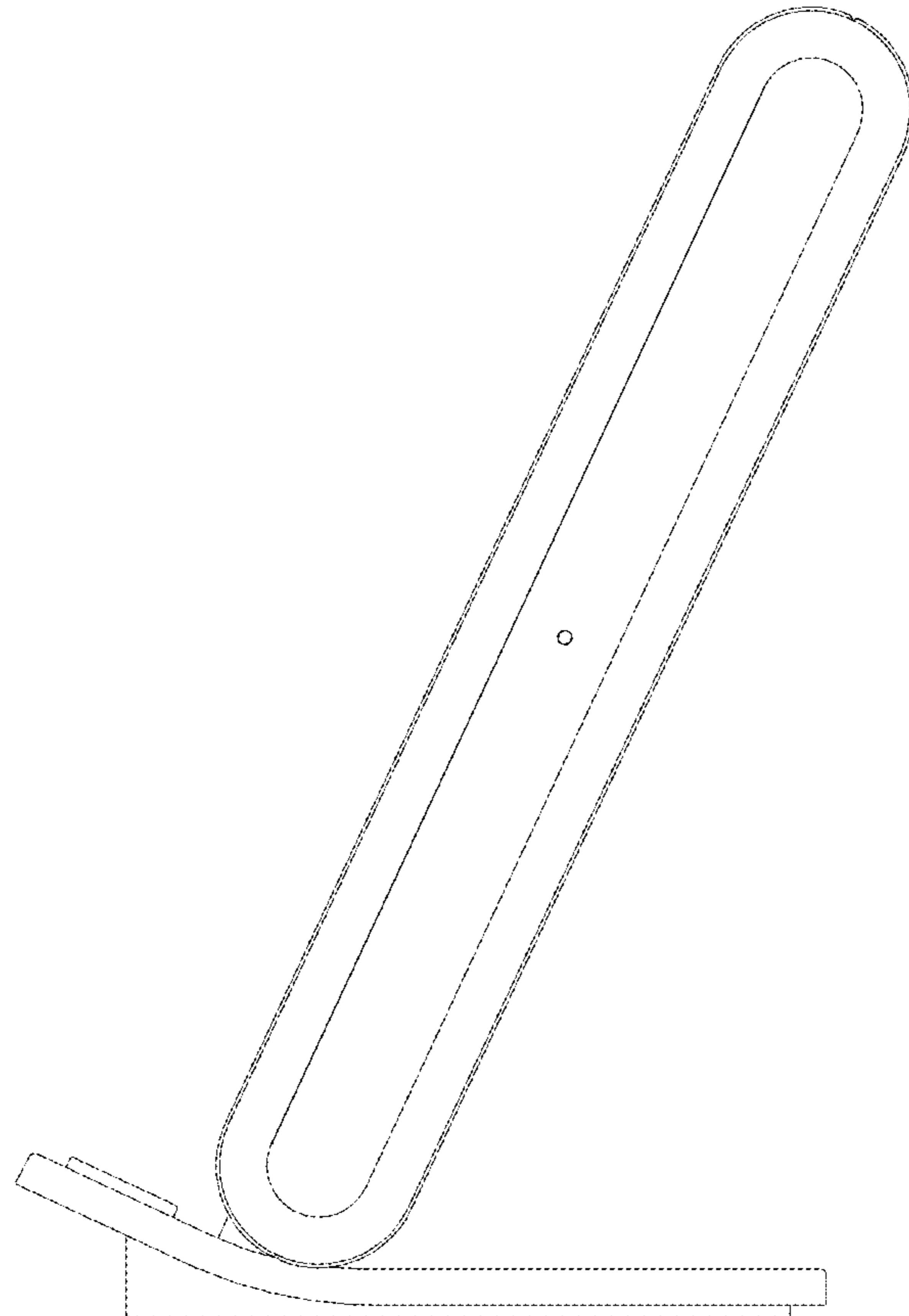


FIG.4

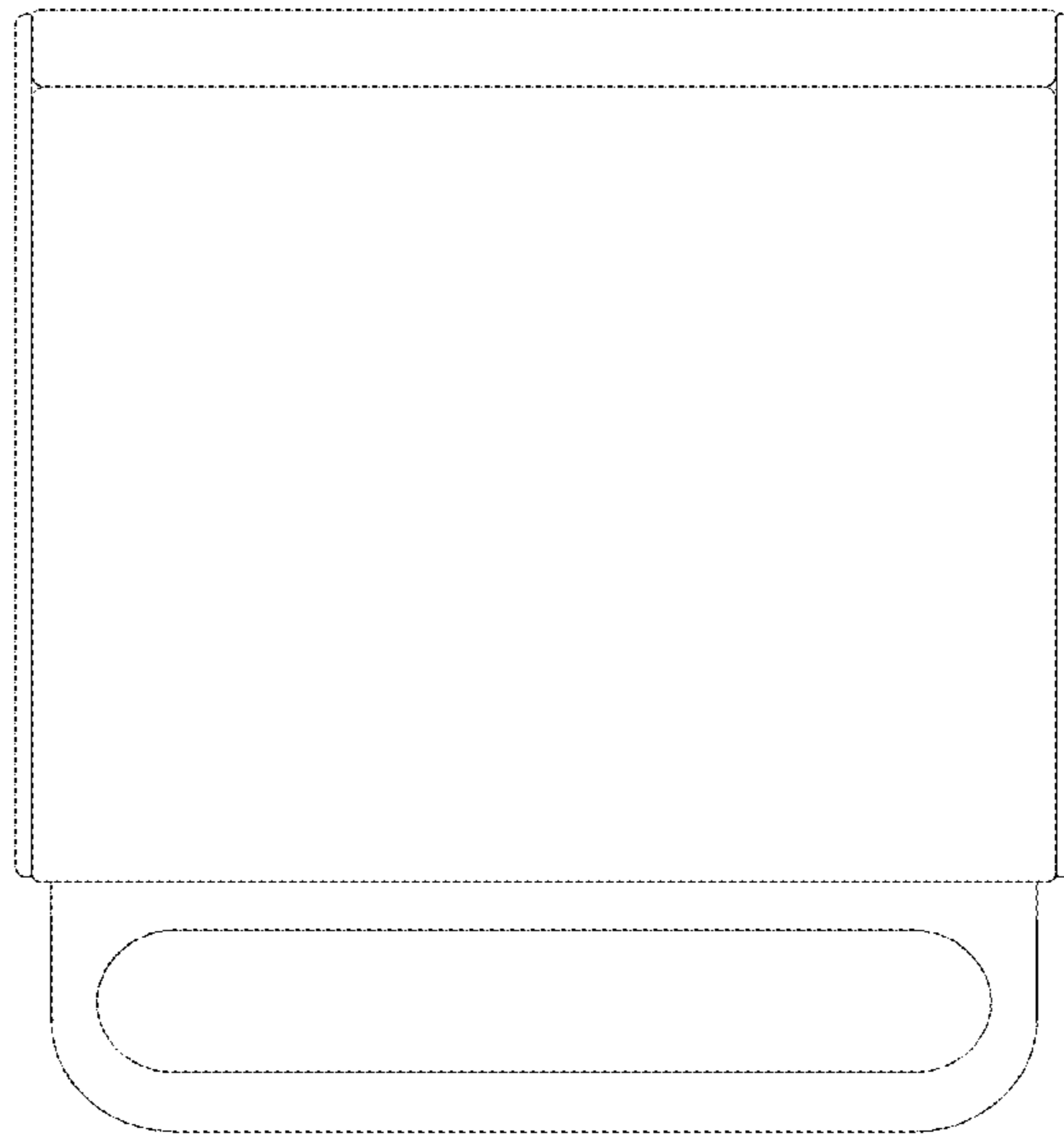


FIG. 5

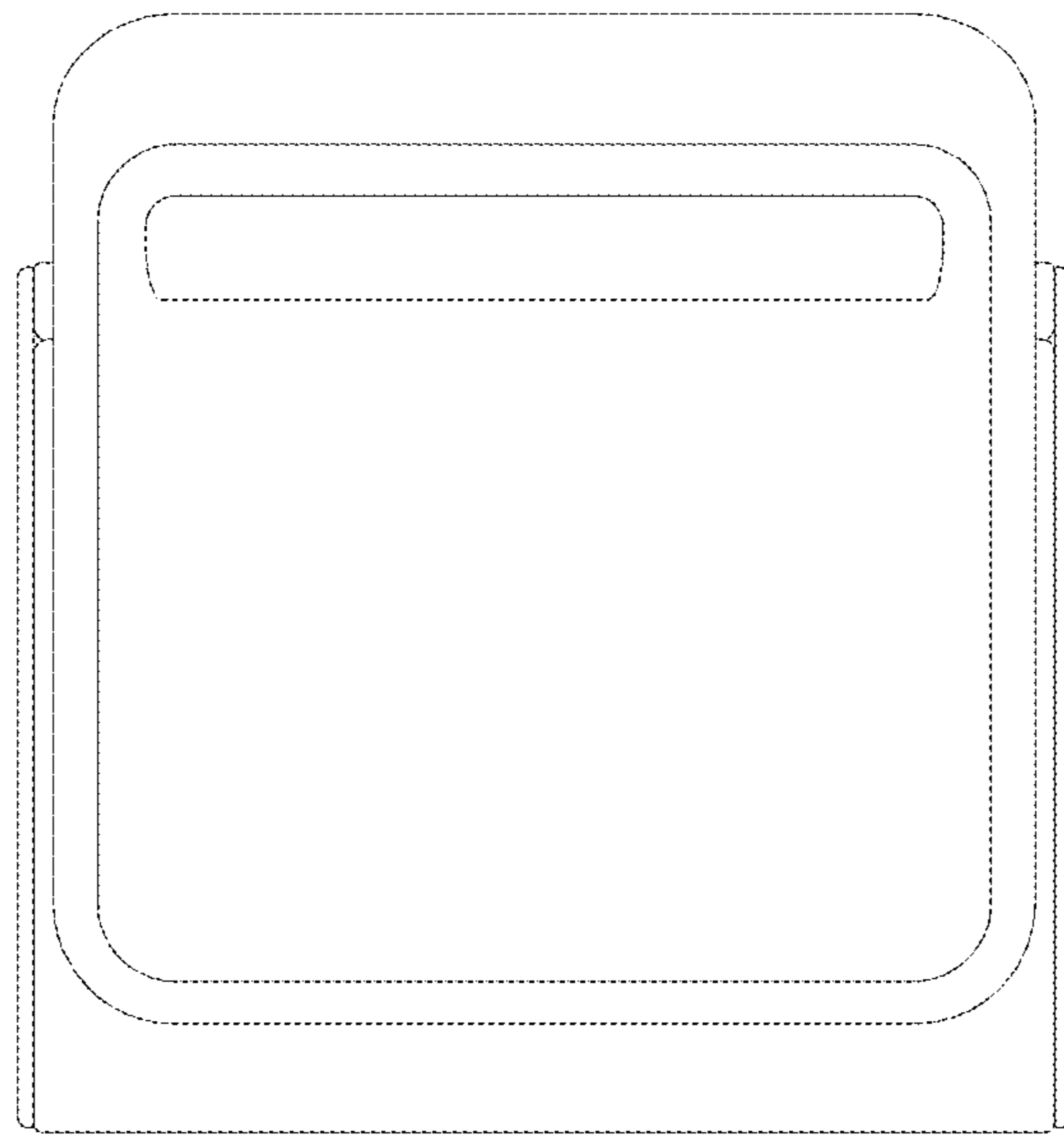


FIG.6

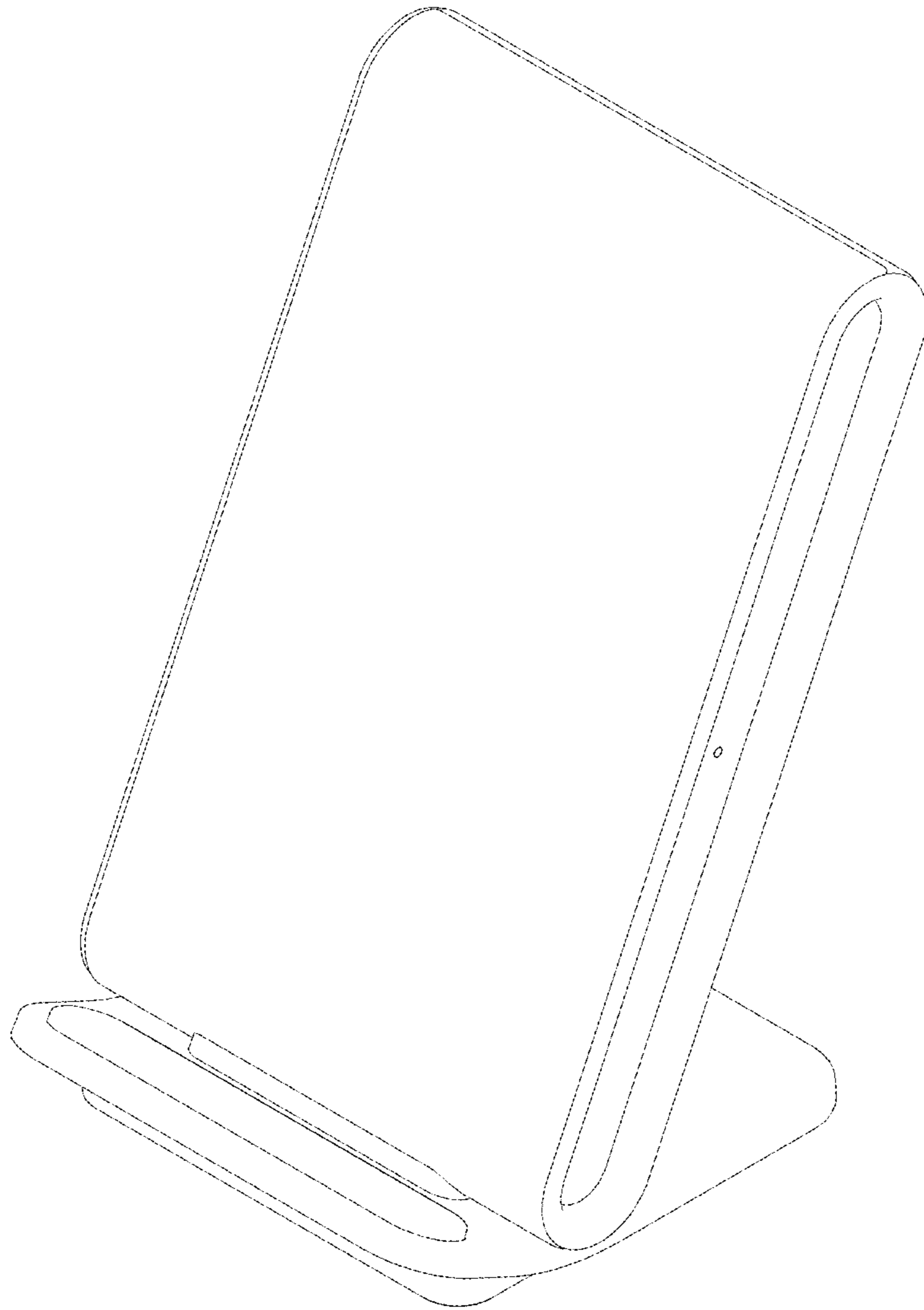


FIG.7

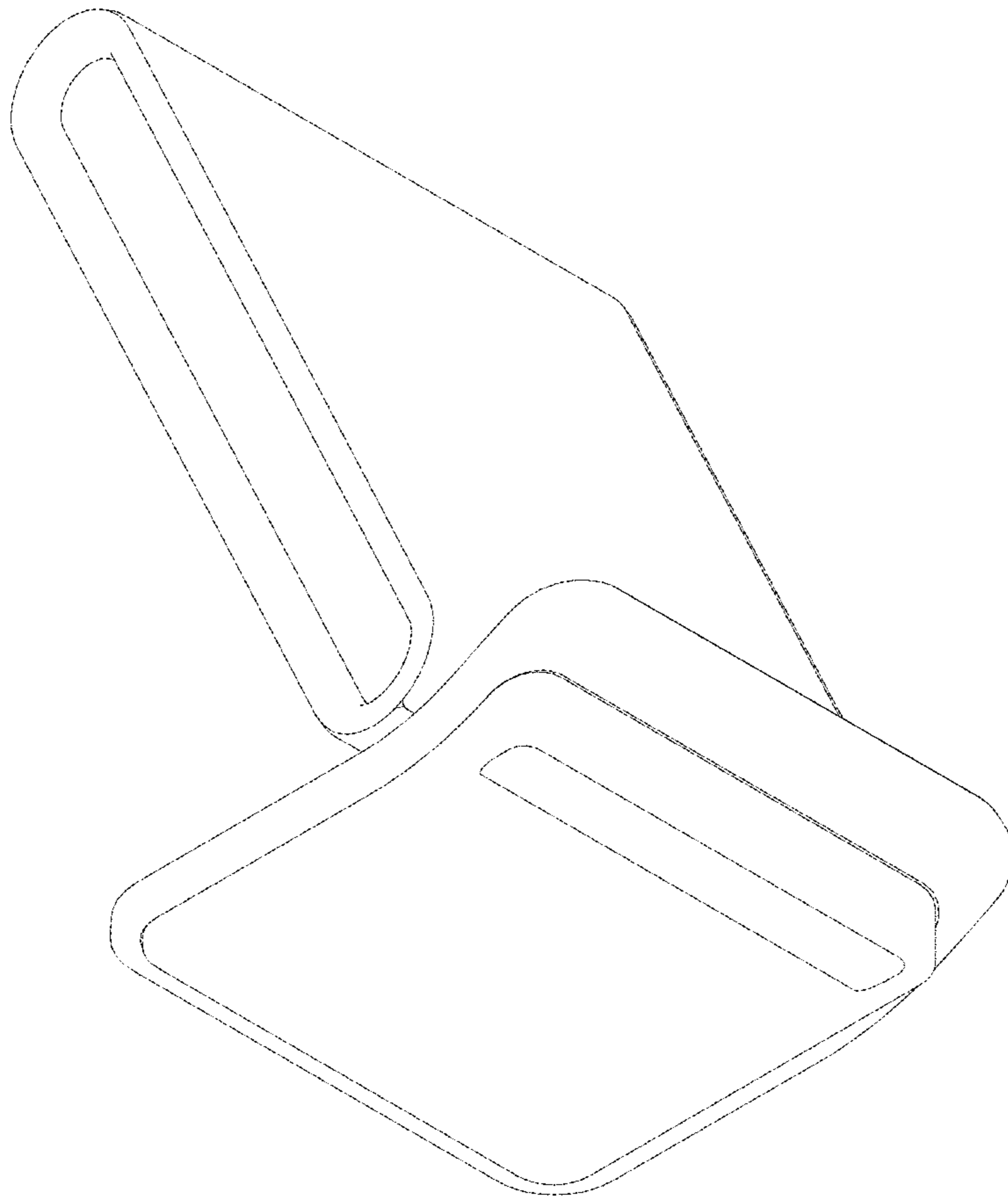


FIG.8

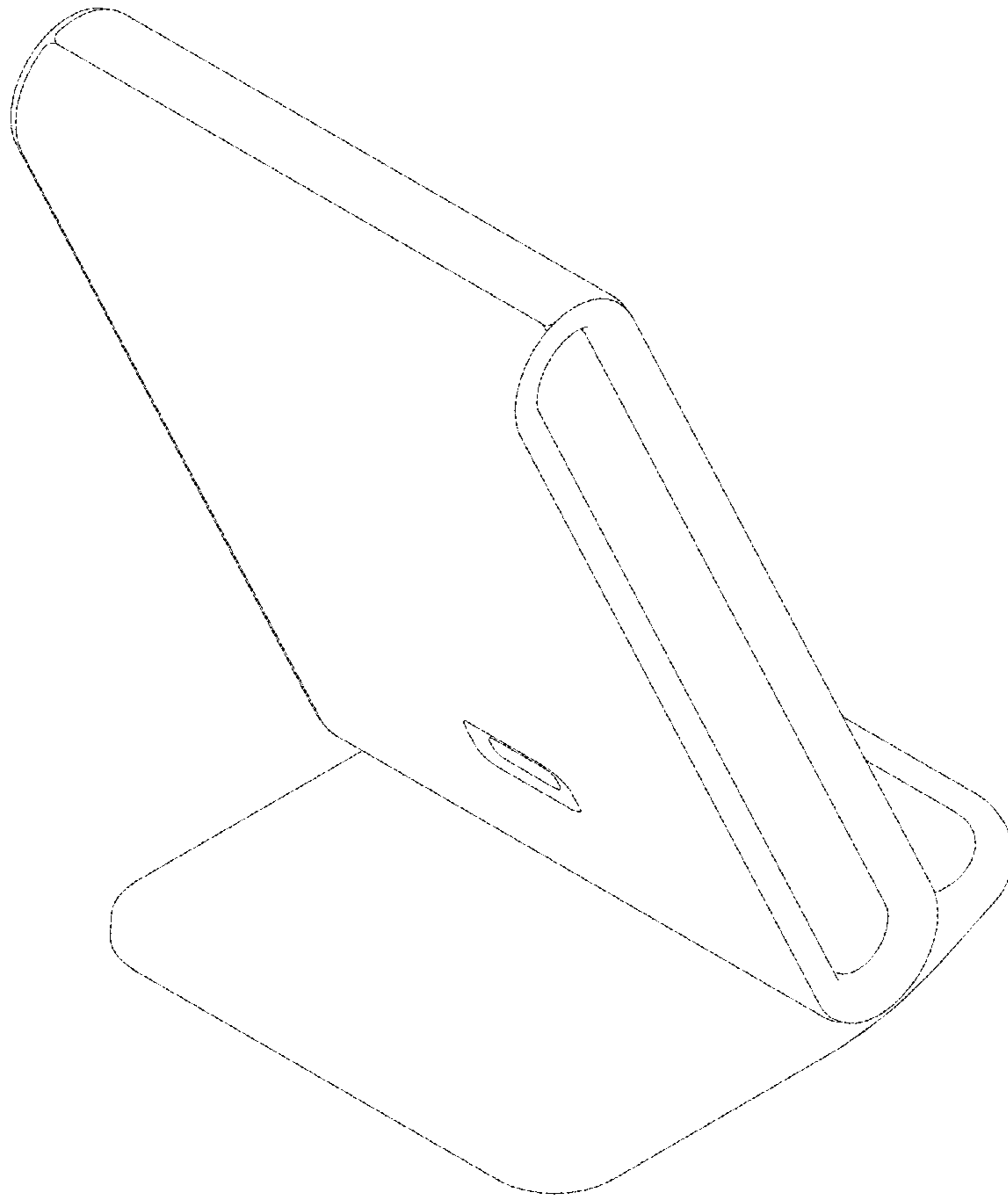


FIG.9

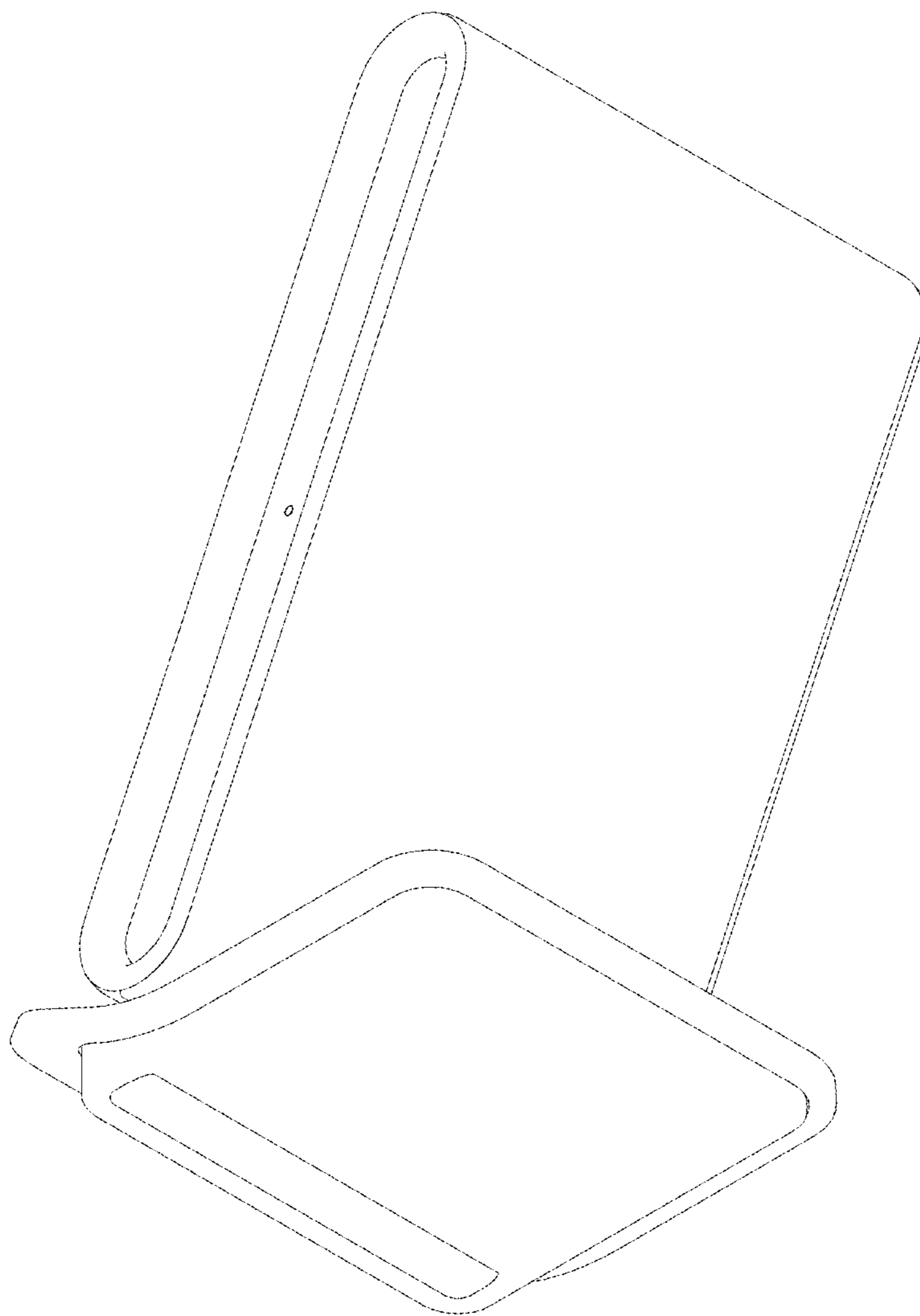


FIG.10