



US00D859307S

(12) **United States Design Patent** (10) **Patent No.:** **US D859,307 S**
Campos (45) **Date of Patent:** **** Sep. 10, 2019**

(54) **CHARGER FOR ELECTRONIC DEVICES**

(71) Applicant: **Larry Campos**, Simi Valley, CA (US)

(72) Inventor: **Larry Campos**, Simi Valley, CA (US)

(73) Assignee: **Larry Campos**, Simi Valley, CA (US)

(**) Term: **15 Years**

(21) Appl. No.: **29/624,682**

(22) Filed: **Nov. 2, 2017**

(51) **LOC (12) Cl.** **13-02**

(52) **U.S. Cl.**
USPC **D13/108**

(58) **Field of Classification Search**

USPC D13/107-110, 118-119, 184; D14/251,
D14/253, 432, 434
CPC Y02E 60/12; Y02T 90/14; Y02T 90/122;
Y02T 90/128; Y02T 90/163; H02J 7/025;
H02J 7/0042; H02J 7/0044; H02J 7/0045;
H02J 7/0003; H01F 38/14; H01R
13/6675; H01M 2/1022; H01M 2/1055;
H01M 10/44; H01M 10/46; H01M
10/425; B60L 11/182

See application file for complete search history.

(56) **References Cited**

U.S. PATENT DOCUMENTS

D649,237 S * 11/2011 Bilko D23/366
D700,571 S * 3/2014 Guccione D13/108

D720,289 S * 12/2014 Chiang D13/108
D721,335 S * 1/2015 Smeja D13/155
D725,034 S * 3/2015 Chen D13/108
D791,698 S * 7/2017 Kim D13/108
D794,556 S * 8/2017 Liao D13/107
D795,182 S * 8/2017 Akana D13/108
D804,306 S * 12/2017 Simons D9/454
D806,020 S * 12/2017 Lu D13/107
D810,015 S * 2/2018 Carreon D13/108
D814,267 S * 4/2018 Verbowski D8/354
D821,307 S * 6/2018 Calachan D13/107

* cited by examiner

Primary Examiner — Rosemary K Tarca

Assistant Examiner — Nathaniel D. Buckner

(74) *Attorney, Agent, or Firm* — Ferguson Case Orr
Paterson

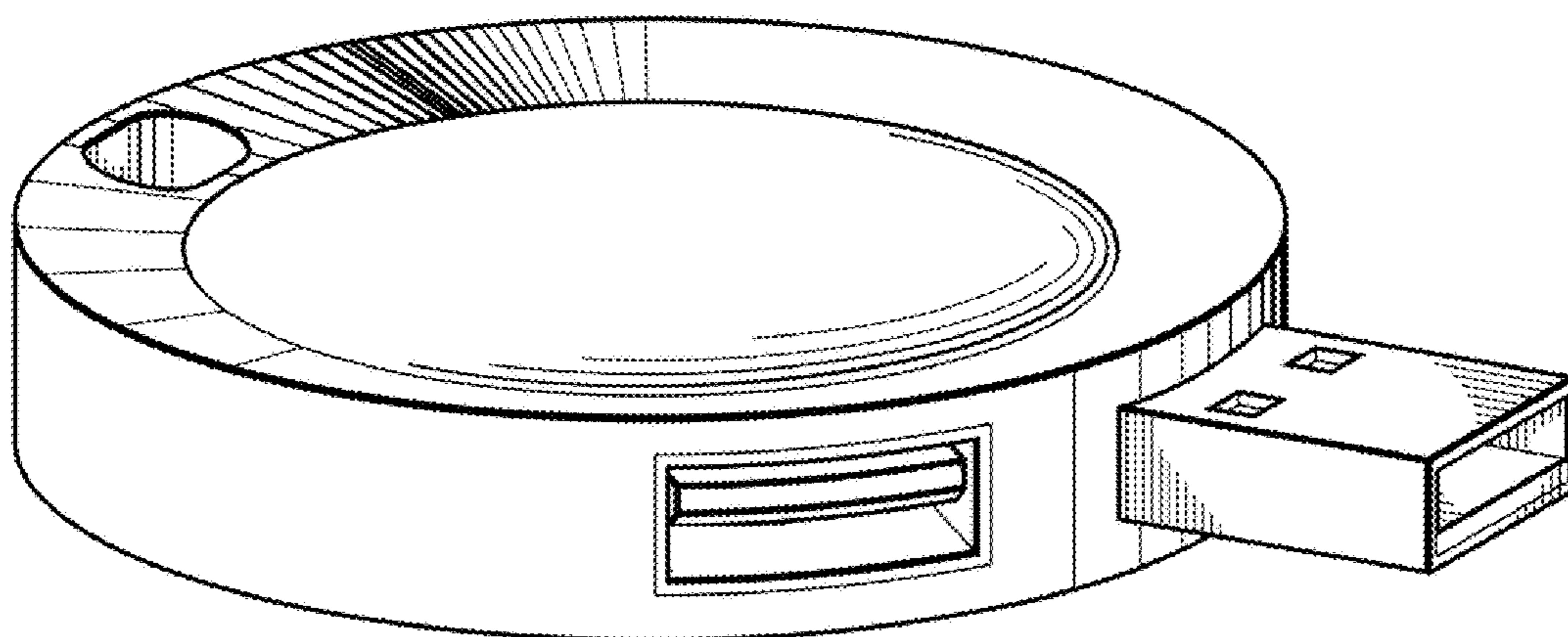
(57) **CLAIM**

The ornamental design for a charger for electronic devices,
as shown.

DESCRIPTION

FIG. 1 is a perspective view of a charger for electronic devices showing my new design;
FIG. 2 is a front elevation view thereof;
FIG. 3 is a back elevation view thereof;
FIG. 4 is a right-side elevation view thereof;
FIG. 5 is a left-side elevation view thereof;
FIG. 6 is a top plan view thereof; and,
FIG. 7 is a bottom plan view thereof.

1 Claim, 2 Drawing Sheets



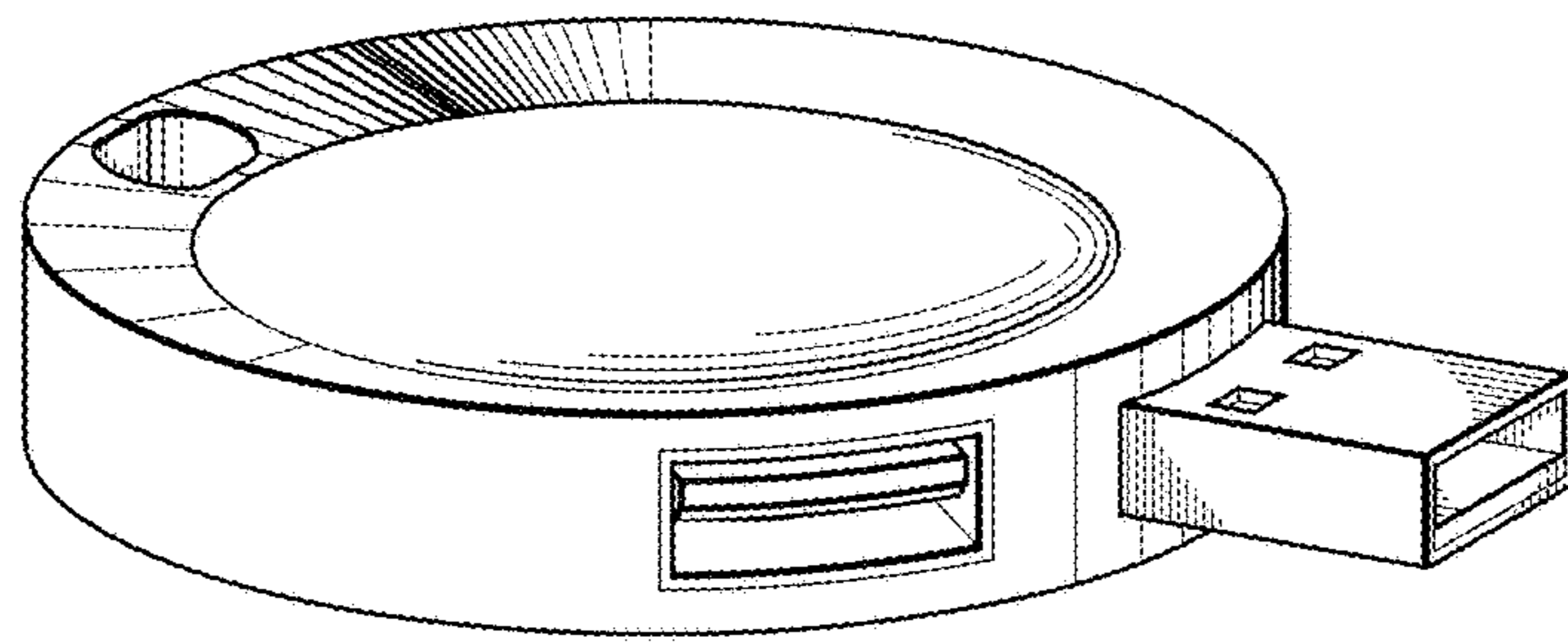


FIG. 1

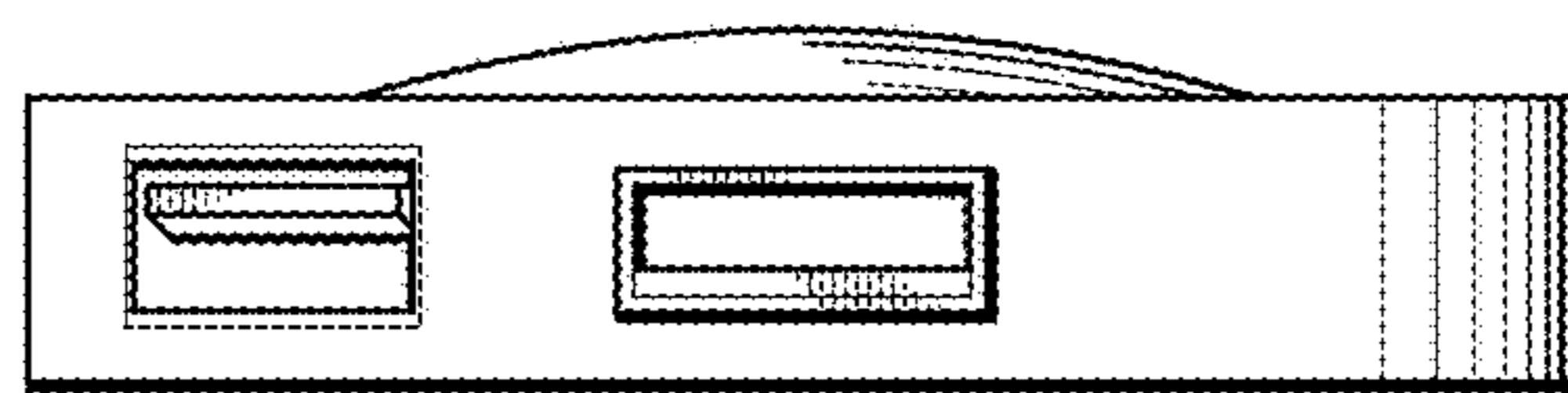


FIG. 2

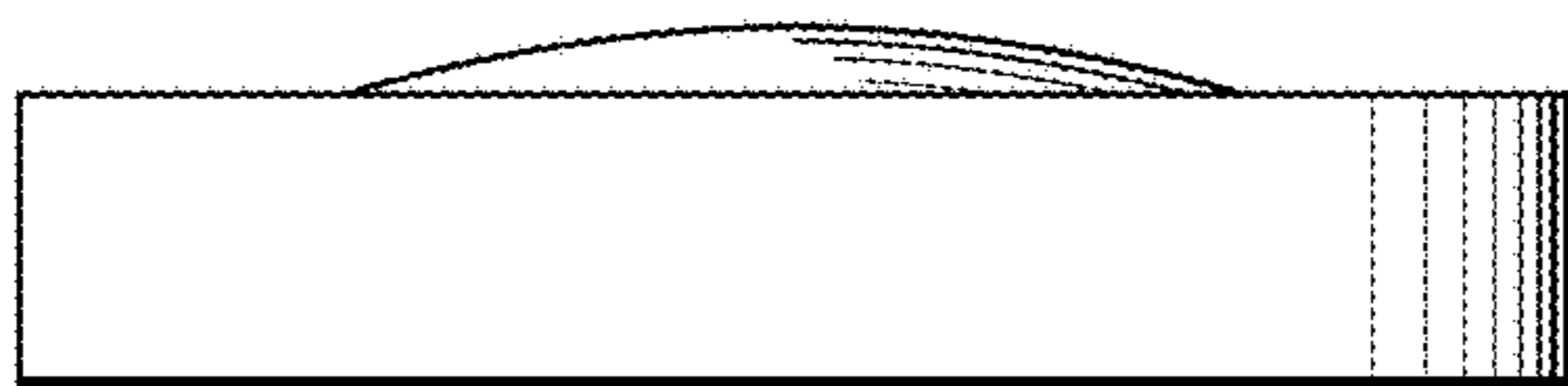


FIG. 3



FIG. 4

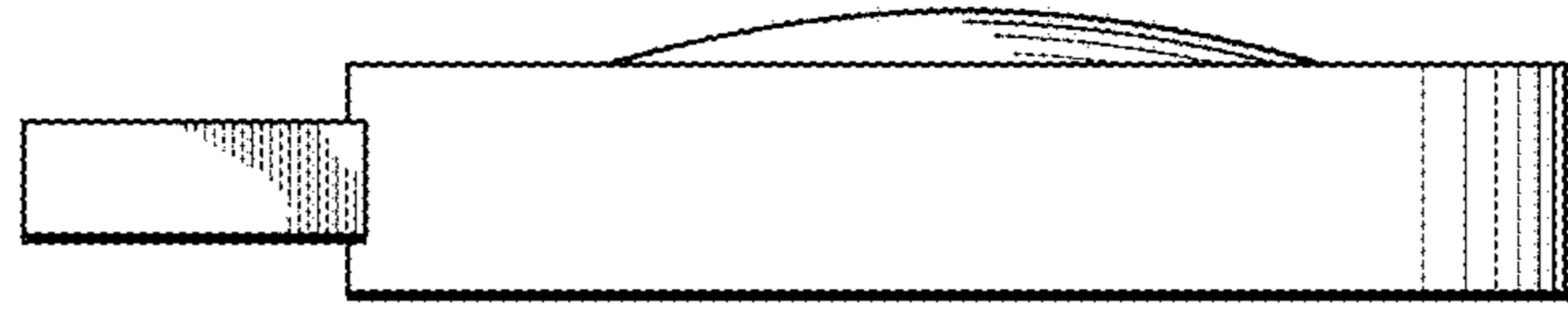


FIG. 5

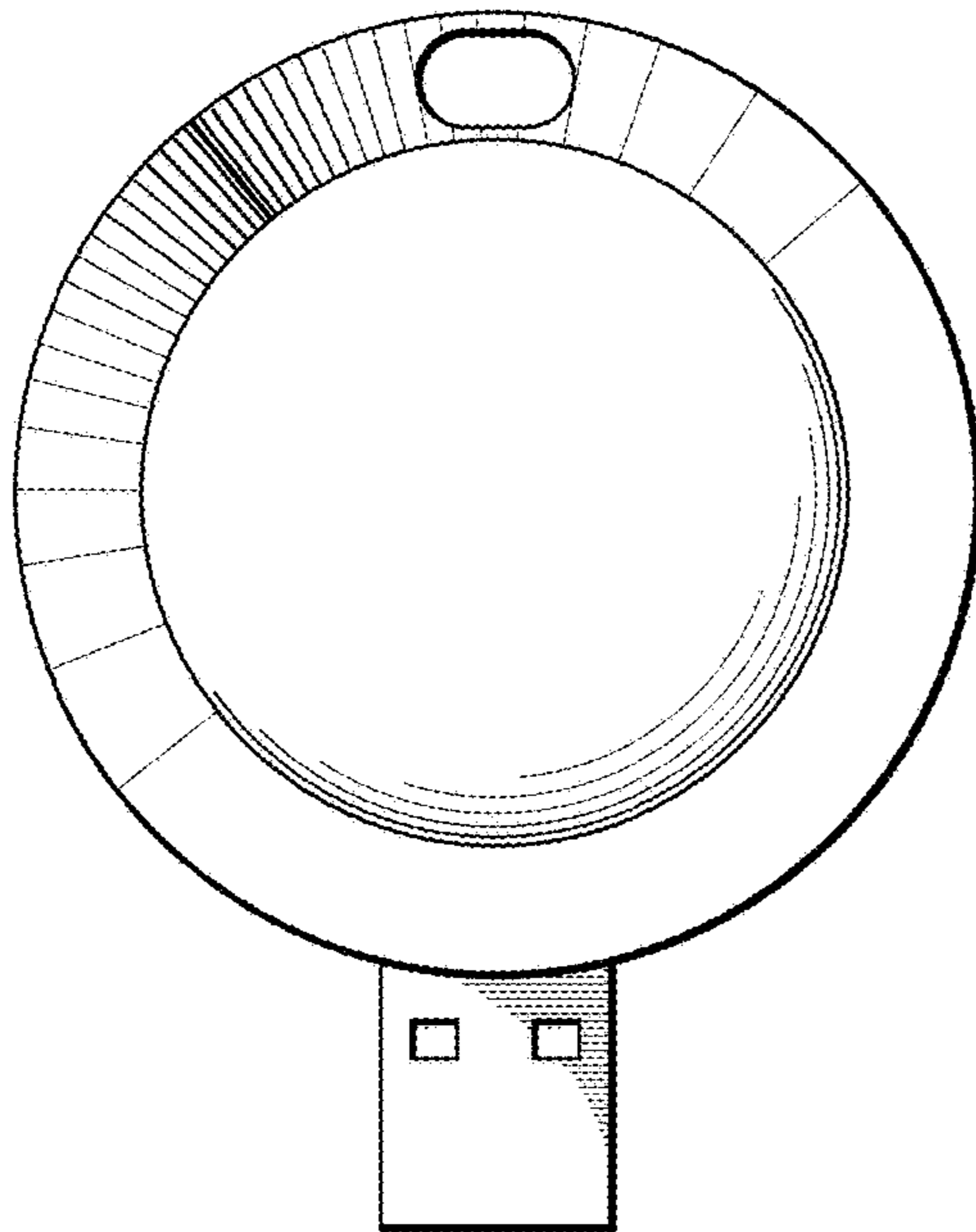


FIG. 6

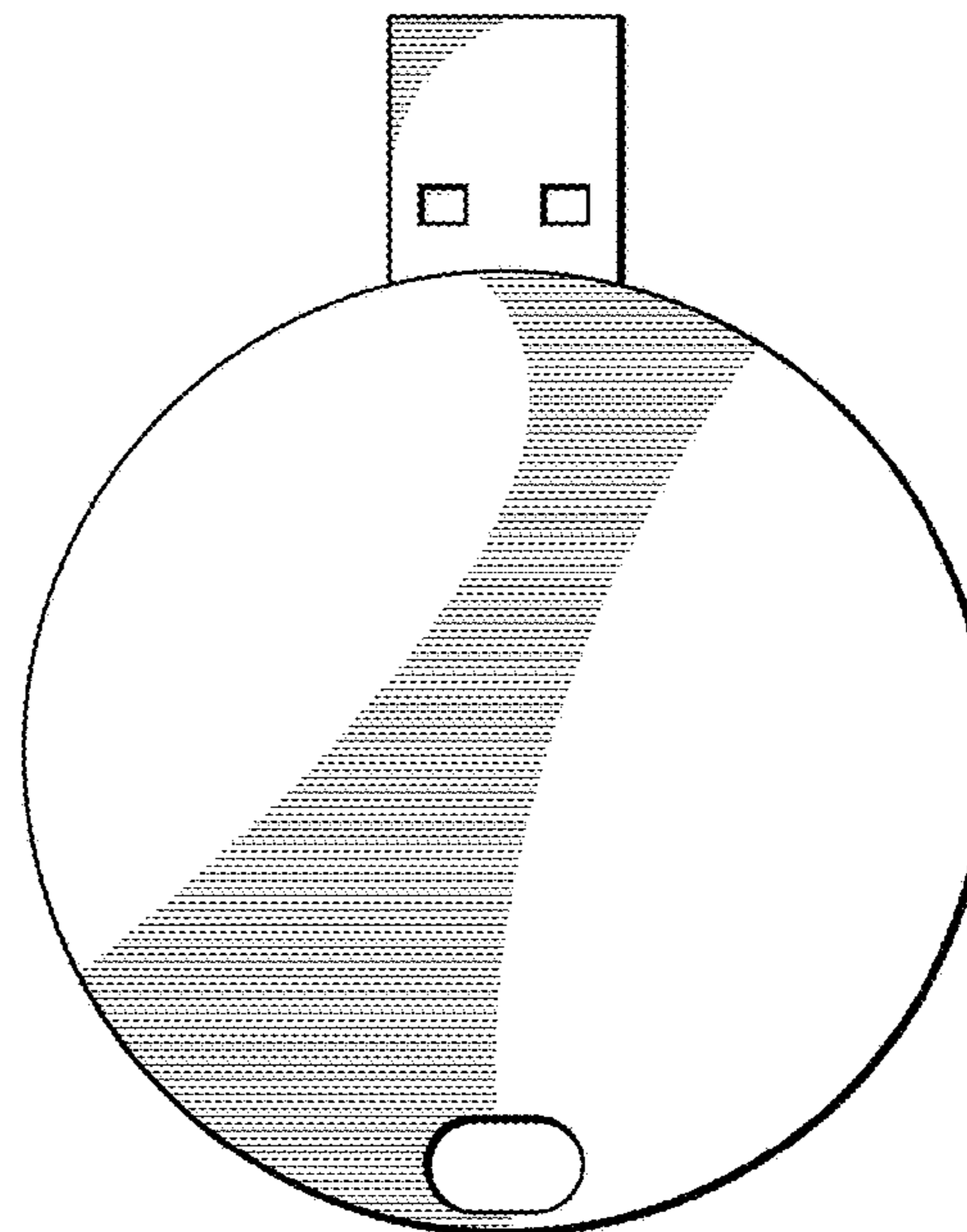


FIG. 7