



US00D859295S

(12) **United States Design Patent** (10) **Patent No.:** **US D859,295 S**  
**Ma et al.** (45) **Date of Patent:** **\*\* Sep. 10, 2019**

(54) **TIRE** D617,727 S \* 6/2010 Lejeune ..... D12/535  
D718,701 S \* 12/2014 Isaka ..... D12/535  
(71) Applicants: **Jinlin Ma**, Guangdong (CN); **Fan**  
**Zhong**, Guangdong (CN) D832,772 S \* 11/2018 Misani ..... D12/535

\* cited by examiner

(72) Inventors: **Jinlin Ma**, Guangdong (CN); **Fan**  
**Zhong**, Guangdong (CN) *Primary Examiner* — George D. Kirschbaum

(\*\*) Term: **15 Years** (57) **CLAIM**

(21) Appl. No.: **29/616,368** The ornamental design for a tire, as shown.

(22) Filed: **Sep. 6, 2017**

**DESCRIPTION**

(51) **LOC (12) Cl.** ..... **12-15**

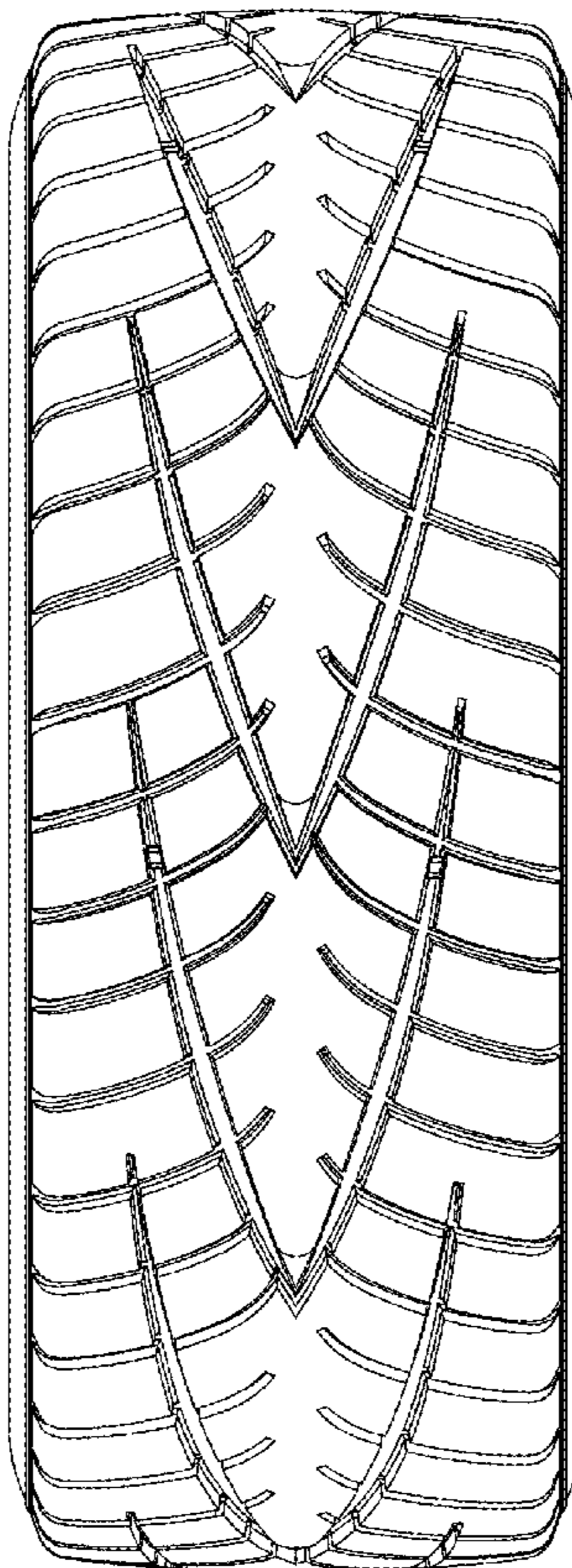
(52) **U.S. Cl.**  
USPC ..... **D12/558**

(58) **Field of Classification Search**  
USPC ..... D12/558, 535  
See application file for complete search history.  
FIG. 1 is a front elevational view of a tire showing our new design;  
FIG. 2 is a rear elevational view thereof;  
FIG. 3 is a left side view thereof;  
FIG. 4 is a right side view thereof;  
FIG. 5 is a top plan view thereof;  
FIG. 6 is a bottom plan view thereof; and,  
FIG. 7 is a perspective view thereof.

(56) **References Cited**

**U.S. PATENT DOCUMENTS**

D336,455 S \* 6/1993 Hammond ..... D12/558 **1 Claim, 7 Drawing Sheets**



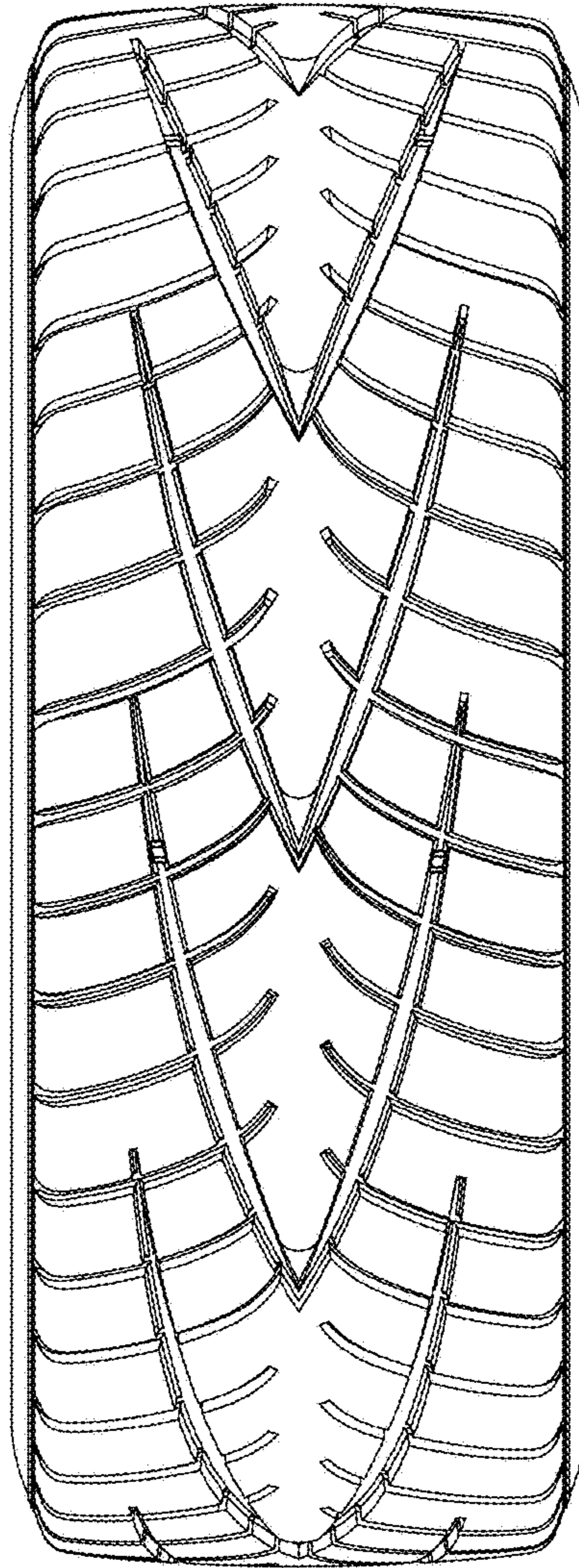


FIG. 1

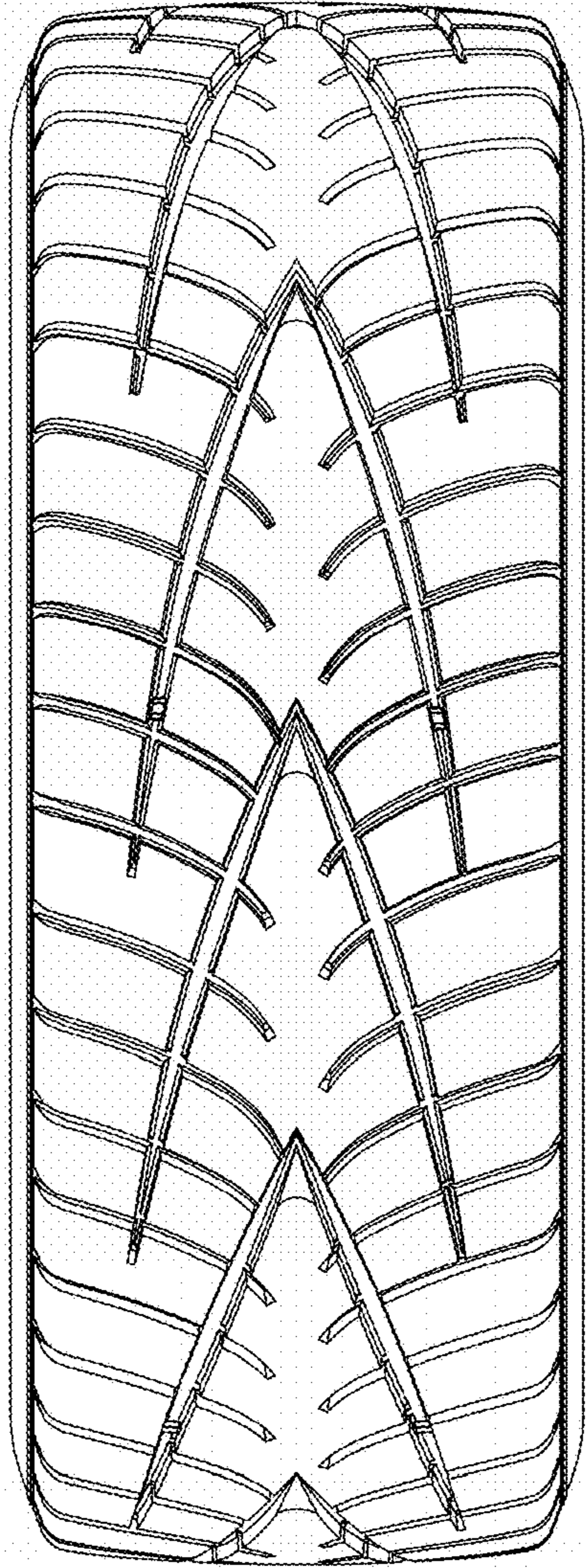


FIG. 2

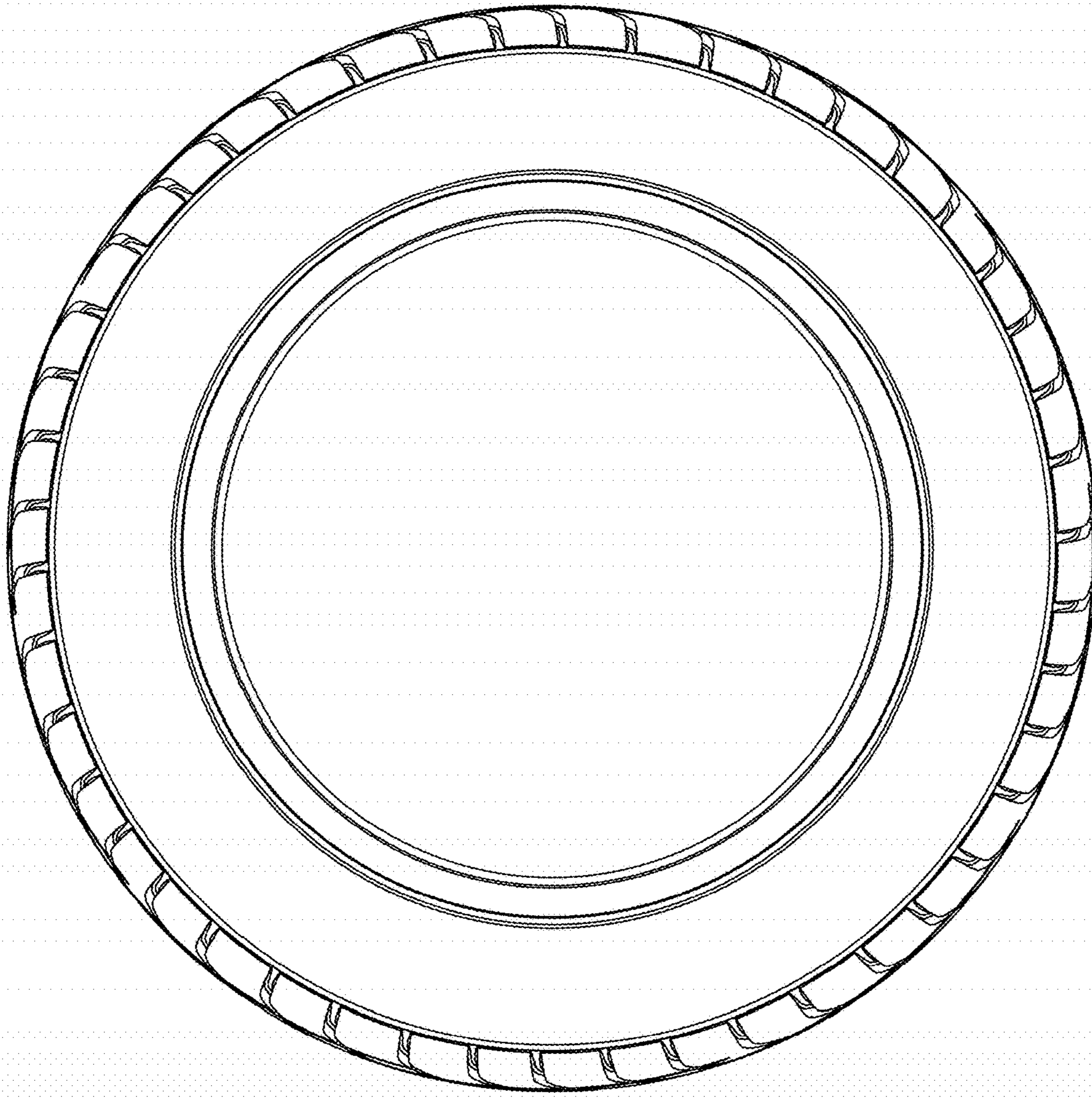


FIG. 3

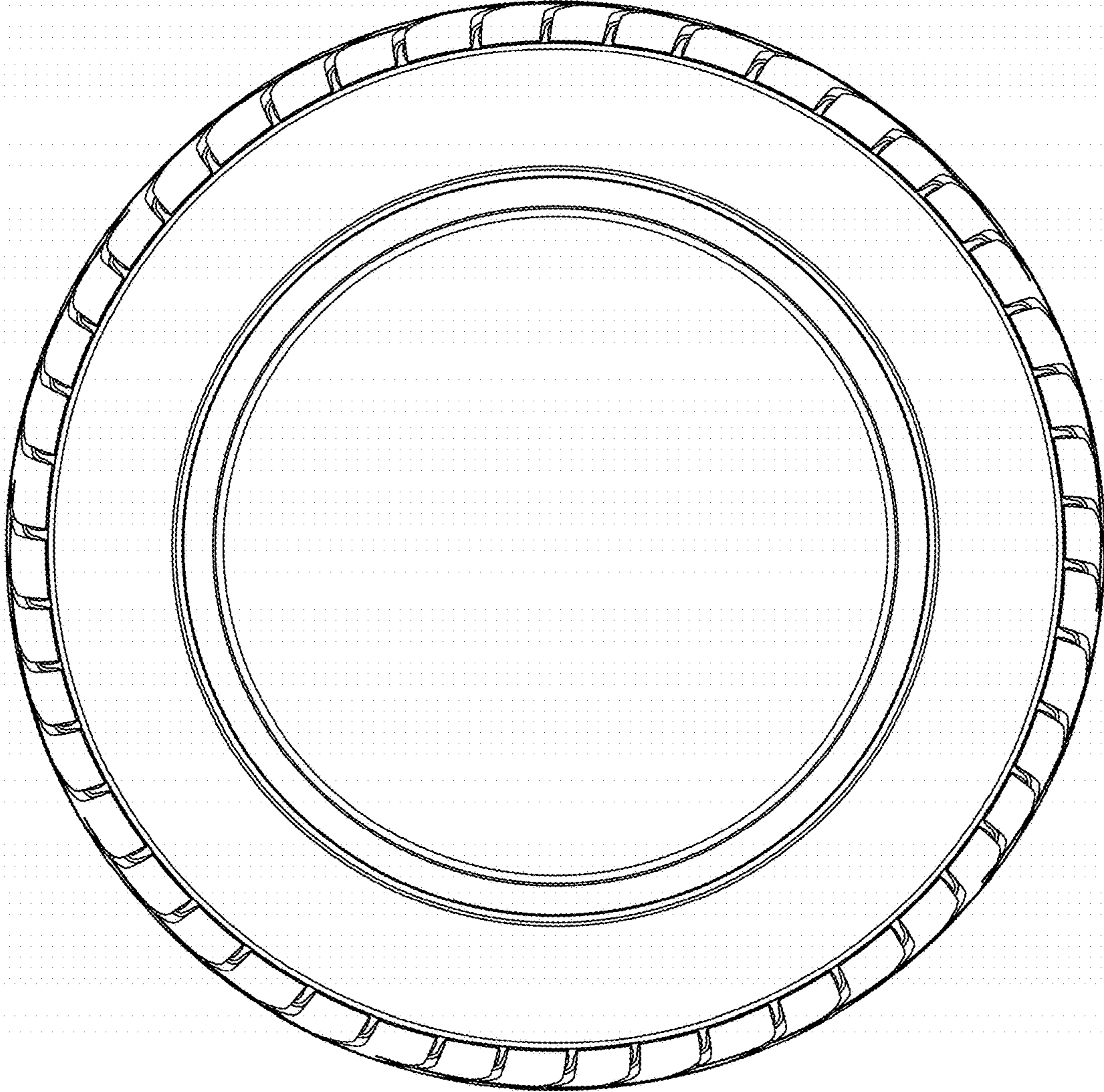


FIG. 4

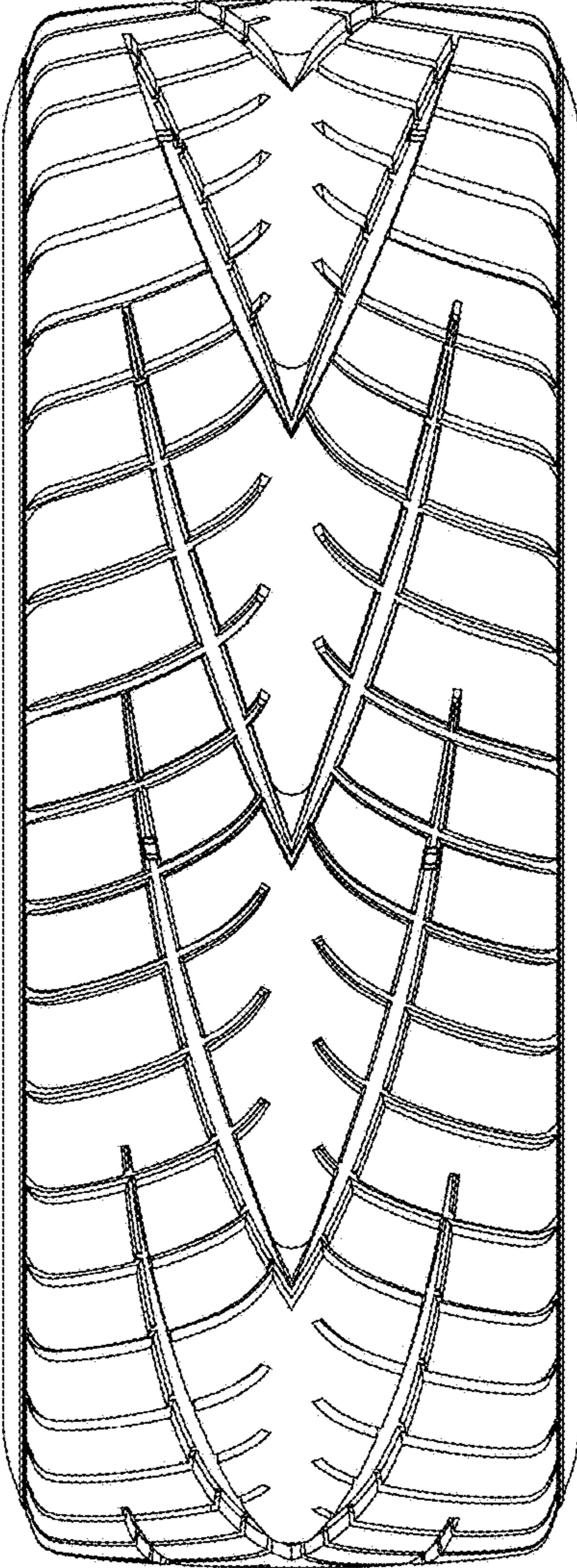


FIG. 5

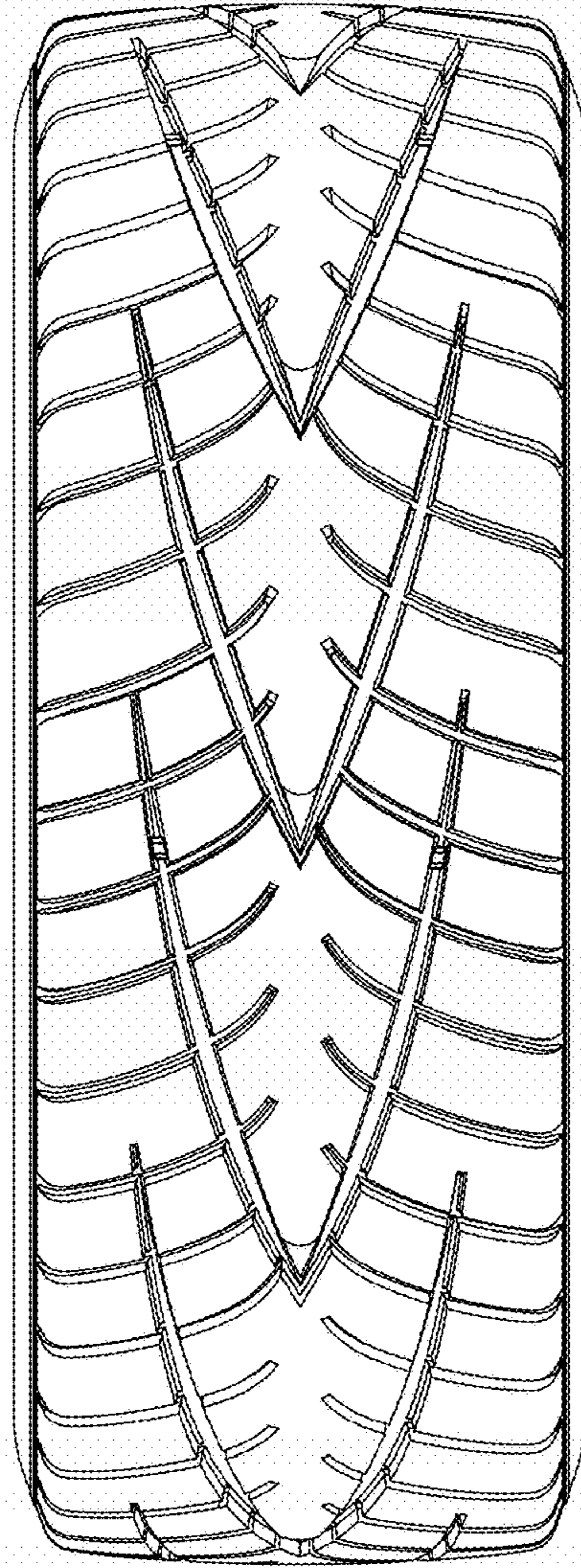


FIG. 6

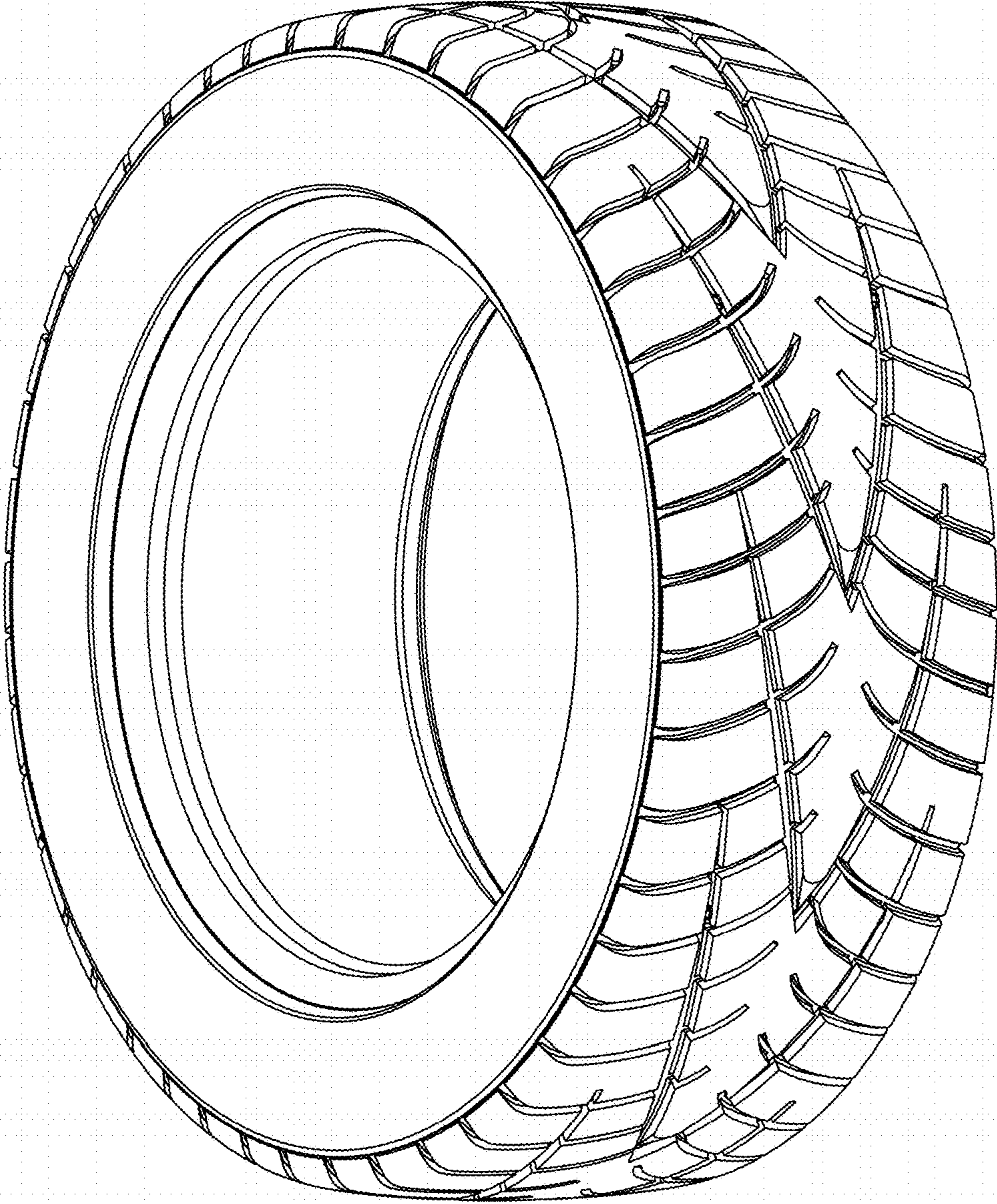


FIG. 7