



US00D859290S

(12) **United States Design Patent**  
**Raatikainen et al.**

(10) **Patent No.:** **US D859,290 S**

(45) **Date of Patent:** **\*\* Sep. 10, 2019**

(54) **TIRE TREAD**

(71) Applicant: **Black Donuts Engineering Oy**,  
Pirkkala (FI)

(72) Inventors: **Jouni Juhani Raatikainen**, Lempäälä  
(FI); **Henri Sakari Kossi**, Nokia (FI);  
**Marko Christer Johannes Ylitolva**,  
Nokia (FI)

(73) Assignee: **BLACK DONUTS ENGINEERING**  
**OY**, Pirkkala (FI)

(\*\*) Term: **15 Years**

(21) Appl. No.: **29/645,919**

(22) Filed: **Apr. 30, 2018**

(30) **Foreign Application Priority Data**

Nov. 9, 2017 (EM) ..... 004500353-0001

(51) **LOC (12) Cl.** ..... **12-15**

(52) **U.S. Cl.**  
USPC ..... **D12/523**

(58) **Field of Classification Search**  
USPC ..... D12/500-532, 604  
CPC ..... Y10T 152/10027; B60C 1/0016; B60C  
11/0306; B60C 11/0302; B60C 3/06;  
B60C 9/17

See application file for complete search history.

(56) **References Cited**

**U.S. PATENT DOCUMENTS**

D702,627 S 4/2014 Raatikainen et al.  
D721,322 S 1/2015 Raatikainen et al.  
D728,464 S \* 5/2015 Kudo ..... D12/589  
D733,038 S 6/2015 Raatikainen et al.  
D758,285 S \* 6/2016 Wen ..... D12/523  
D769,800 S 8/2016 Raatikainen et al.  
D769,793 S \* 10/2016 Haanketo ..... D12/523

D769,794 S \* 10/2016 Kujime ..... D12/523  
D770,363 S \* 11/2016 Sareen ..... D12/523  
D780,668 S 3/2017 Raatikainen et al.  
D783,506 S 3/2017 Kossi et al.  
D783,507 S 4/2017 Raatikainen et al.  
D786,773 S 5/2017 Raatikainen et al.  
D786,776 S \* 5/2017 Aoki ..... D12/521  
D787,425 S 5/2017 Kossi et al.  
D790,439 S 6/2017 Raatikainen et al.  
D792,324 S \* 7/2017 Taniguchi ..... D12/523  
D792,835 S 7/2017 Raatikainen et al.  
D792,840 S \* 7/2017 Hayashi ..... D12/604  
D795,791 S \* 8/2017 Zhang ..... D12/521  
D797,653 S 9/2017 Raatikainen et al.  
D798,803 S \* 10/2017 Wang ..... D12/523

(Continued)

**OTHER PUBLICATIONS**

Design U.S. Appl. No. 29/592,478, filed January 31, 2017, entitled  
Tire Tread, Inventors: Kossi et al.

*Primary Examiner* — Lakiya G Rogers

*Assistant Examiner* — John A Voytek

(74) *Attorney, Agent, or Firm* — Thompson Hine LLP

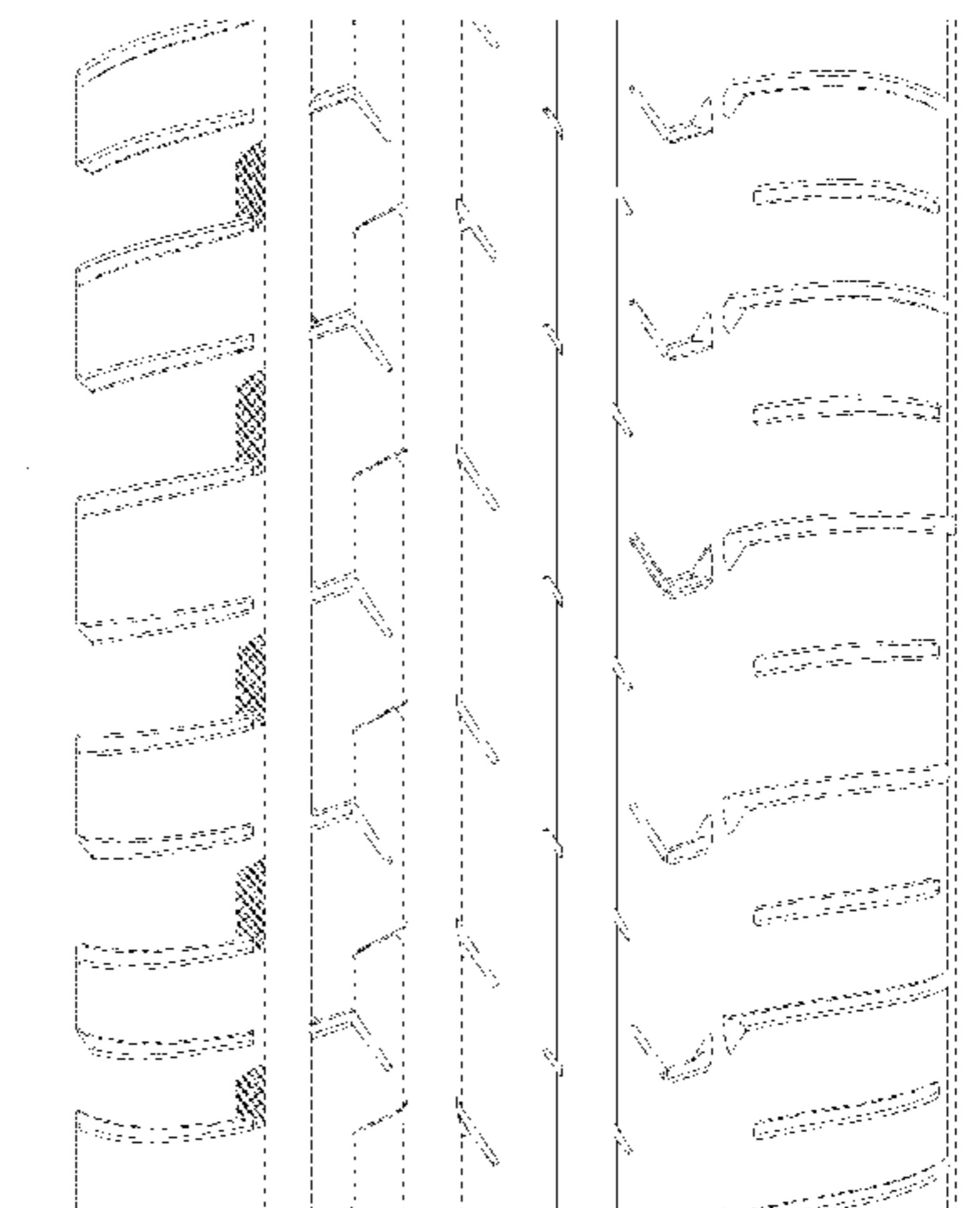
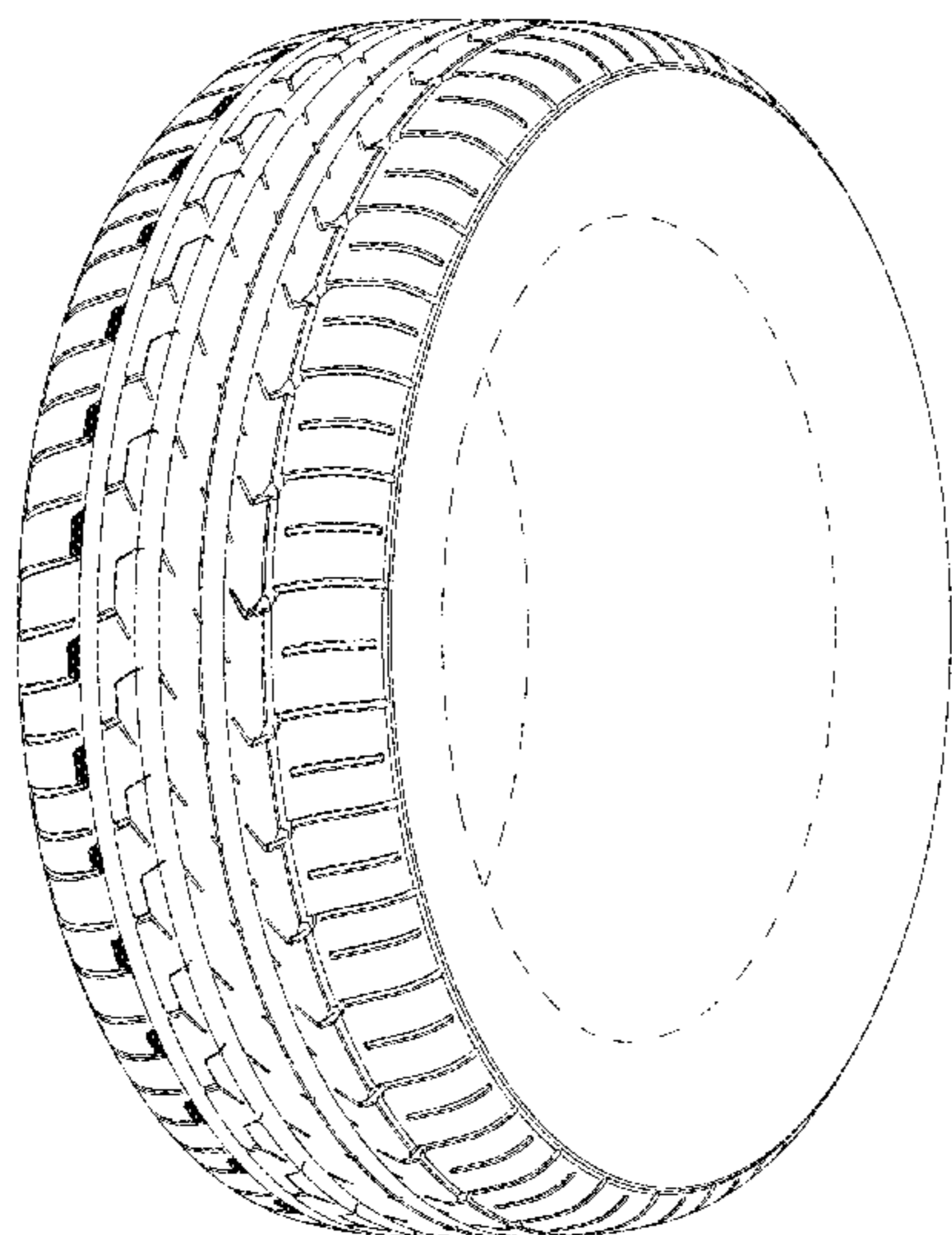
(57) **CLAIM**

The ornamental design for tire tread, as shown and  
described.

**DESCRIPTION**

FIG. 1 is a perspective view of the design;  
FIG. 2 is a front view of the design of FIG. 1;  
FIG. 3 is a side view of a first side of the design of FIG. 1;  
FIG. 4 is a side view of a second side of the design of FIG.  
1;  
FIG. 5 is a detail view of a portion of FIG. 1; and,  
FIG. 6 is a detail view of the portion indicated in FIG. 5.  
In the drawings, the broken lines depict environmental  
subject matter only and form no part of the claimed design.

**1 Claim, 6 Drawing Sheets**



(56)

**References Cited**

U.S. PATENT DOCUMENTS

D798,804 S \* 10/2017 Wang ..... D12/523  
D808,894 S 1/2018 Kossi et al.  
D811,990 S 3/2018 Raatikainen et al.  
D812,548 S 3/2018 Raatikainen et al.  
D816,591 S 5/2018 Kossi et al.  
D817,262 S 5/2018 Raatikainen et al.  
D820,771 S \* 6/2018 Wongsariyawonich ..... D12/521  
D821,961 S \* 7/2018 Wakasugi ..... D12/523  
D825,439 S \* 8/2018 Tikka ..... D12/519  
D830,952 S \* 10/2018 Kujime ..... D12/505

\* cited by examiner

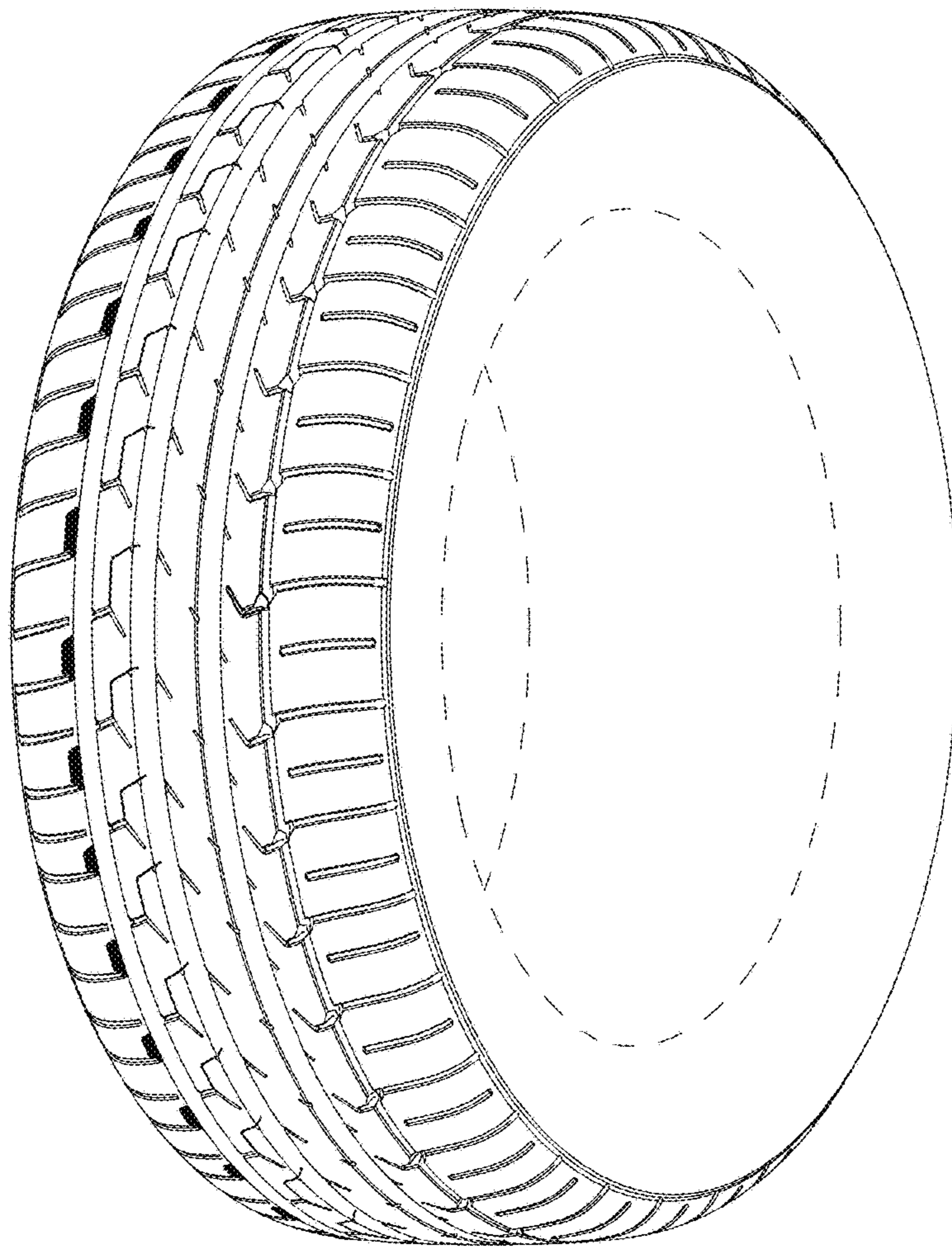


Fig. 1

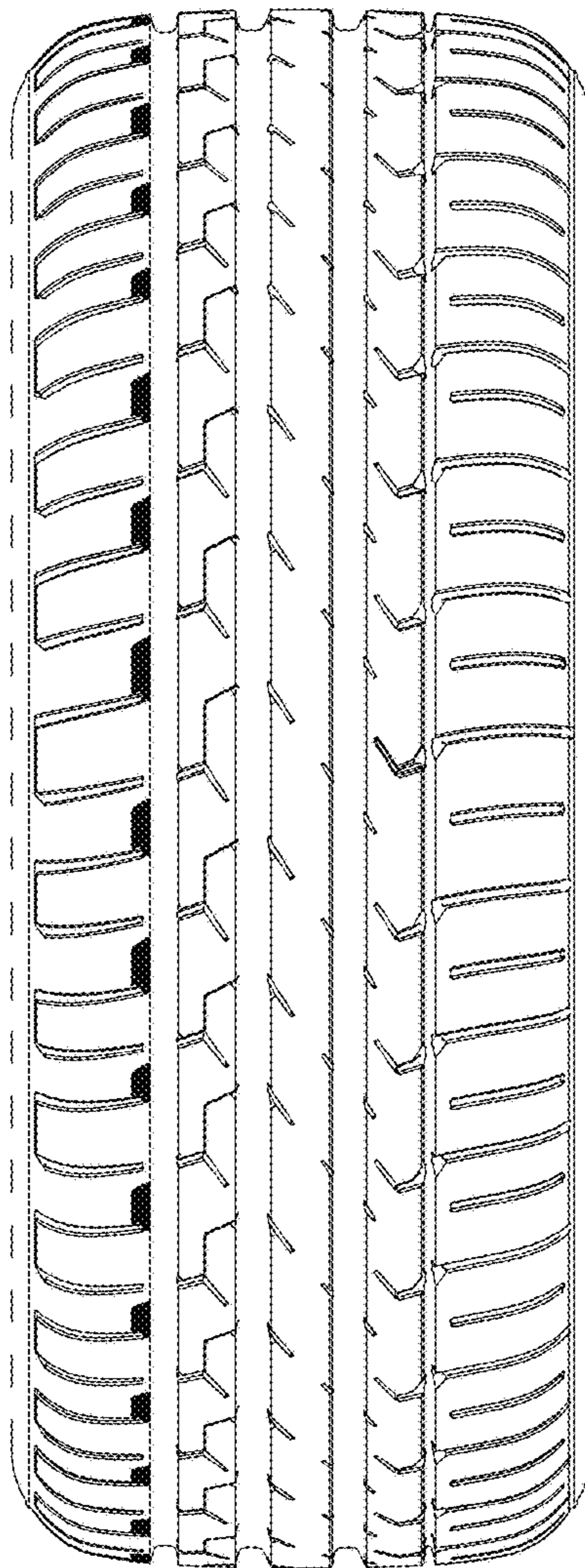


Fig. 2

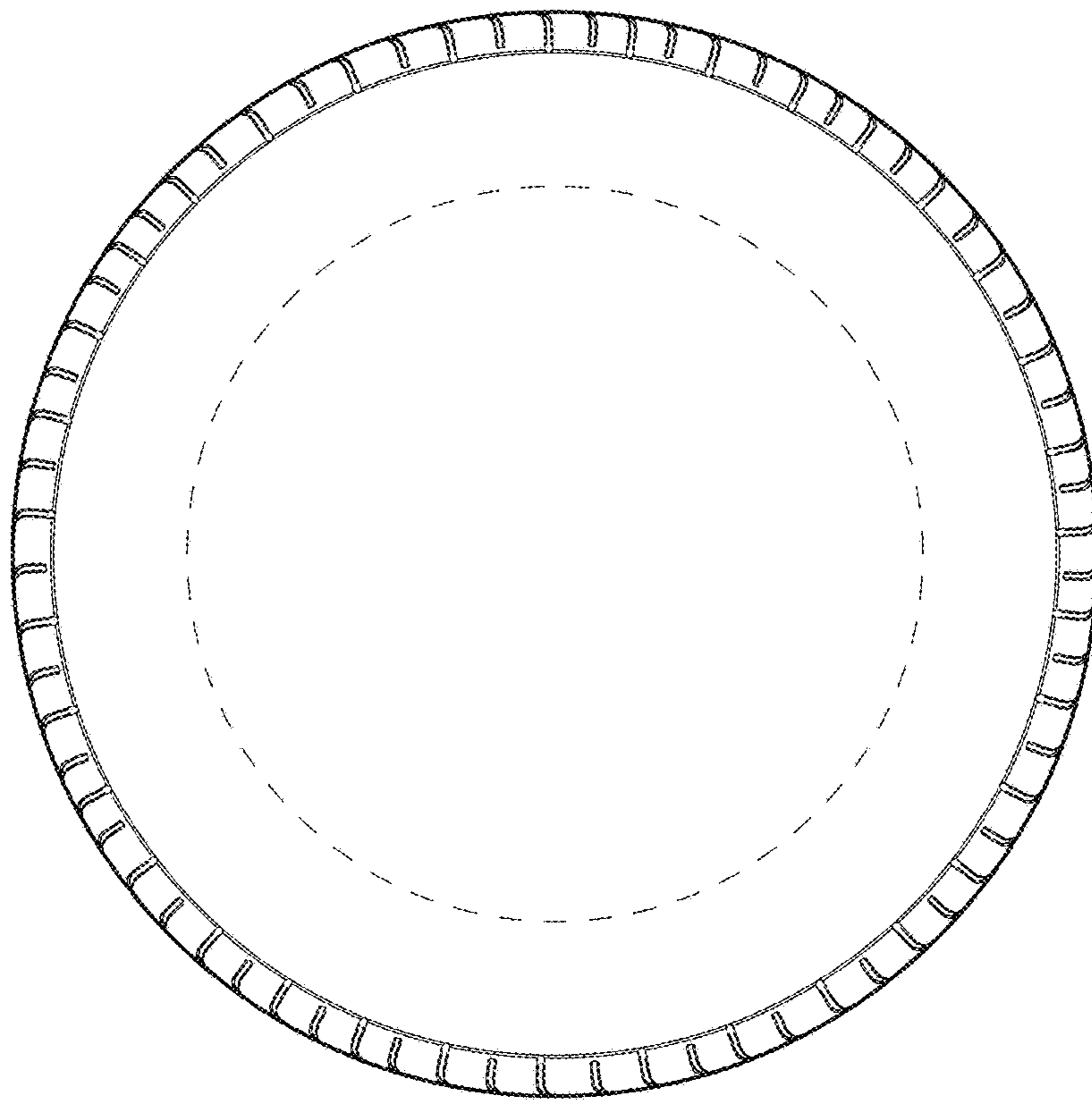


Fig. 3

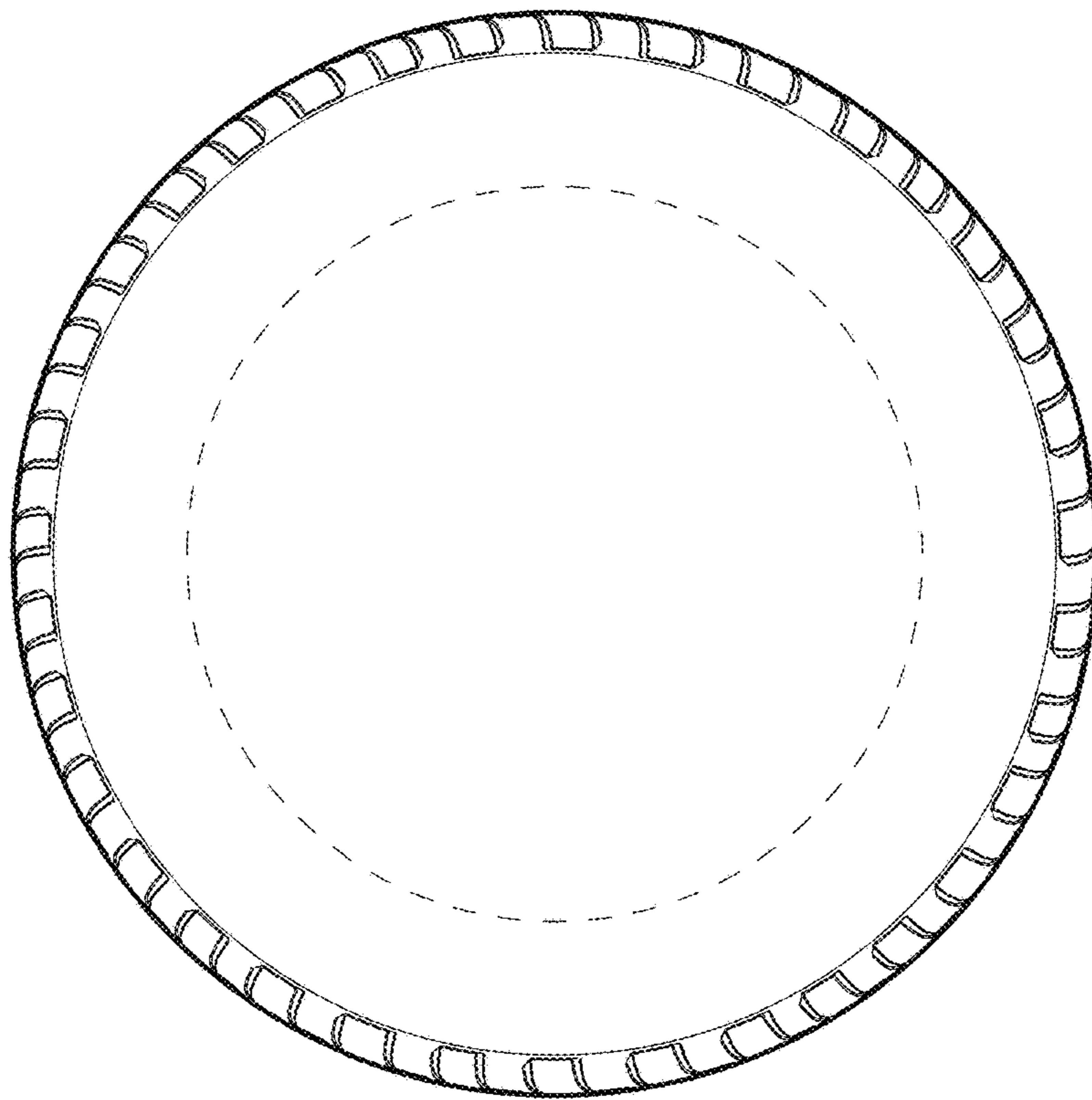


Fig. 4

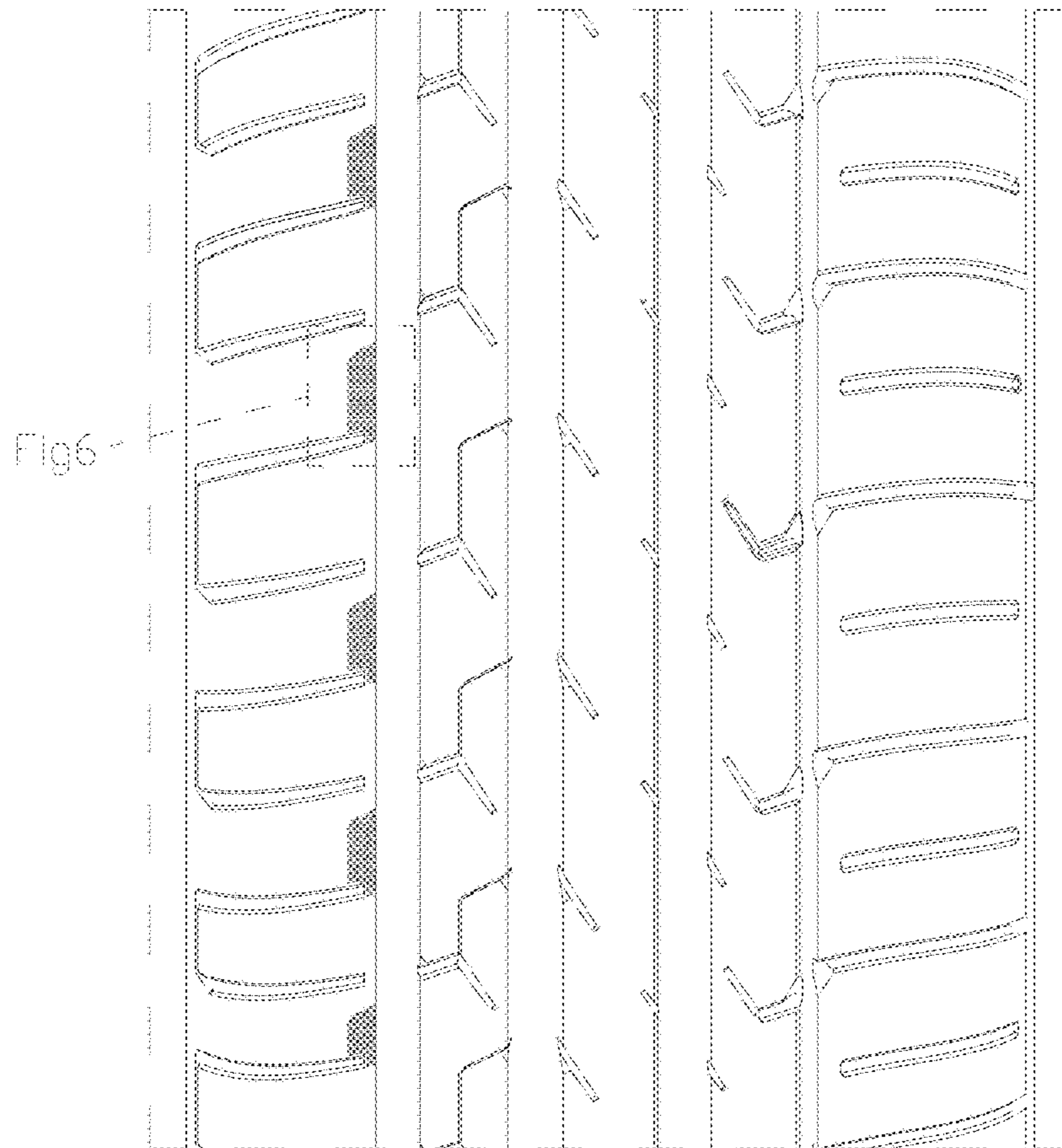


Fig. 5

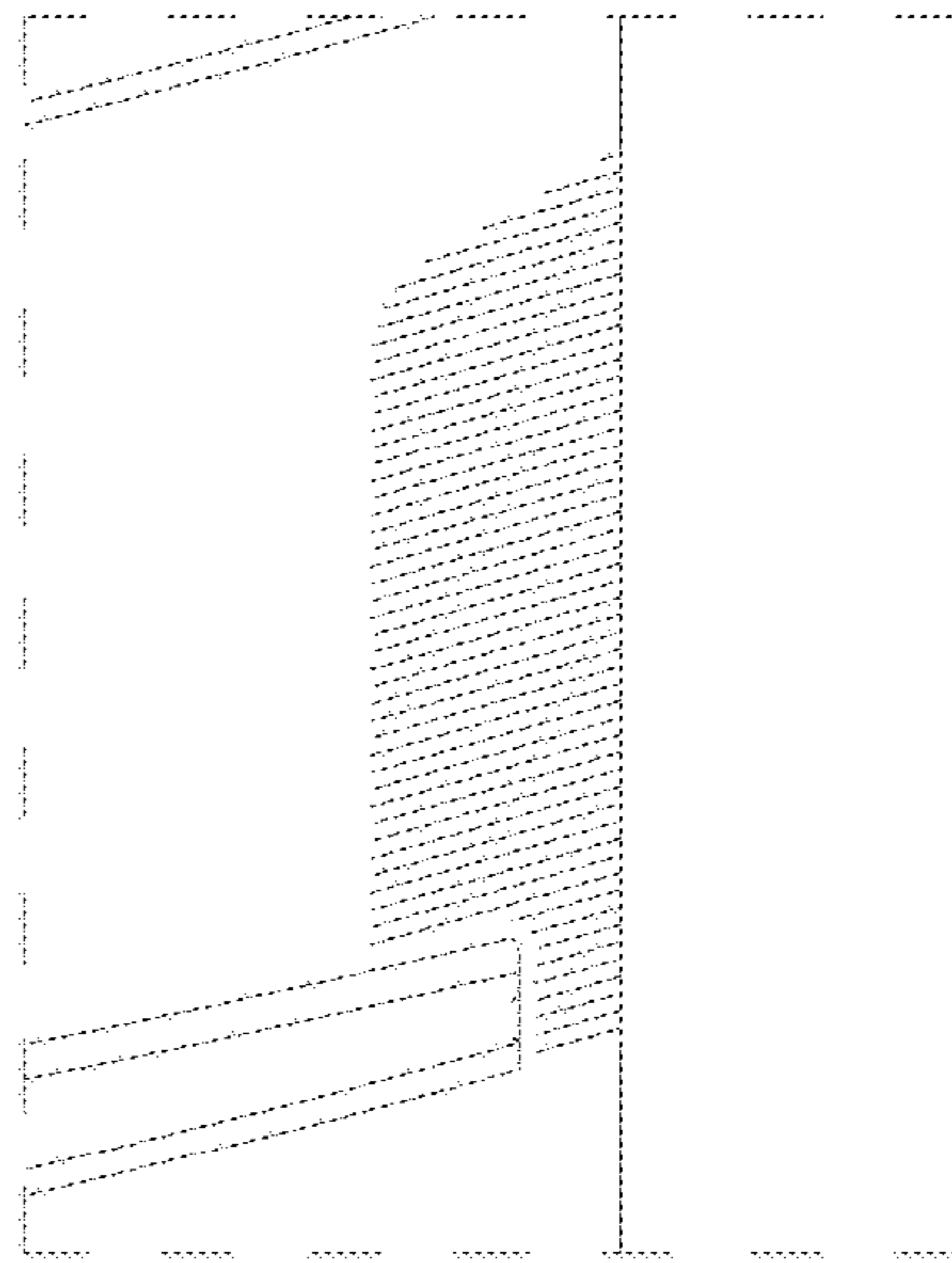


Fig 6