



US00D859285S

(12) **United States Design Patent**  
**Terpin et al.**

(10) **Patent No.:** **US D859,285 S**

(45) **Date of Patent:** **\*\* Sep. 10, 2019**

(54) **MULTI-PURPOSE COMPARTMENT**

(71) Applicants: **Gregory Alan Terpin**, Champion, PA (US); **Michael Alan Terpin**, Champion, PA (US)

(72) Inventors: **Gregory Alan Terpin**, Champion, PA (US); **Michael Alan Terpin**, Champion, PA (US)

(\*\*) Term: **15 Years**

(21) Appl. No.: **29/634,196**

(22) Filed: **Jan. 19, 2018**

(51) **LOC (12) Cl.** ..... **12-16**

(52) **U.S. Cl.**  
USPC ..... **D12/413**

(58) **Field of Classification Search**  
USPC ..... D12/400–406, 93–106, 412–414, 414.1, D12/19, 129, 425, 435, 181, 156; D34/21–26, 12, 16; 280/204, 205, 63, 280/475, 482, 647; 296/168, 180, 180.1, 296/180.2, 10, 61, 100.01–100.081, 102, 296/100, 26

CPC ..... A47D 15/00; A47C 7/66; A47C 31/00; A47G 9/068; B60P 1/56; B60P 3/222; B60P 3/224; B23K 31/02

See application file for complete search history.

(56) **References Cited**

**U.S. PATENT DOCUMENTS**

D207,398 S	*	4/1967	Block	.....	D12/404
D219,142 S	*	11/1970	Ritter	.....	D12/404
D233,141 S	*	10/1974	Ward	.....	D12/103
D244,016 S	*	4/1977	Waldman	.....	D12/404
D244,182 S	*	5/1977	Skidmore	.....	D12/404
D247,029 S	*	1/1978	Fairthorne	.....	D12/404
D250,013 S	*	10/1978	Siciliano	.....	D12/404
D251,375 S	*	3/1979	Knobel	.....	D12/404
D262,014 S	*	11/1981	Retallick	.....	D12/404
D266,237 S	*	9/1982	Skidmore	.....	D12/404

(Continued)

**FOREIGN PATENT DOCUMENTS**

DE 202005010229 \* 9/2005 ..... B60P 3/39

**OTHER PUBLICATIONS**

Explorer Series Hard Shell Roof Top Tent, BigfootTents.com, [online], [site visited Mar. 20, 2019]. <URL: https://www.bigfoottents.com/hard-shell-roof-top-tent-white.html> (Year: 2019).\*

(Continued)

*Primary Examiner* — T Chase Nelson

*Assistant Examiner* — Jonathan J. Han

(74) *Attorney, Agent, or Firm* — Goldberg Cohen LLP

(57) **CLAIM**

The ornamental design for a multi-purpose compartment, as shown and described.

**DESCRIPTION**

FIG. 1 is a right side view of the multi-purpose compartment according to the invention mounted to the roof of a vehicle, the left side view being a mirror image;

FIG. 2 is a perspective view of the multi-purpose compartment;

FIG. 3 is a top view thereof;

FIG. 4 is a front view thereof;

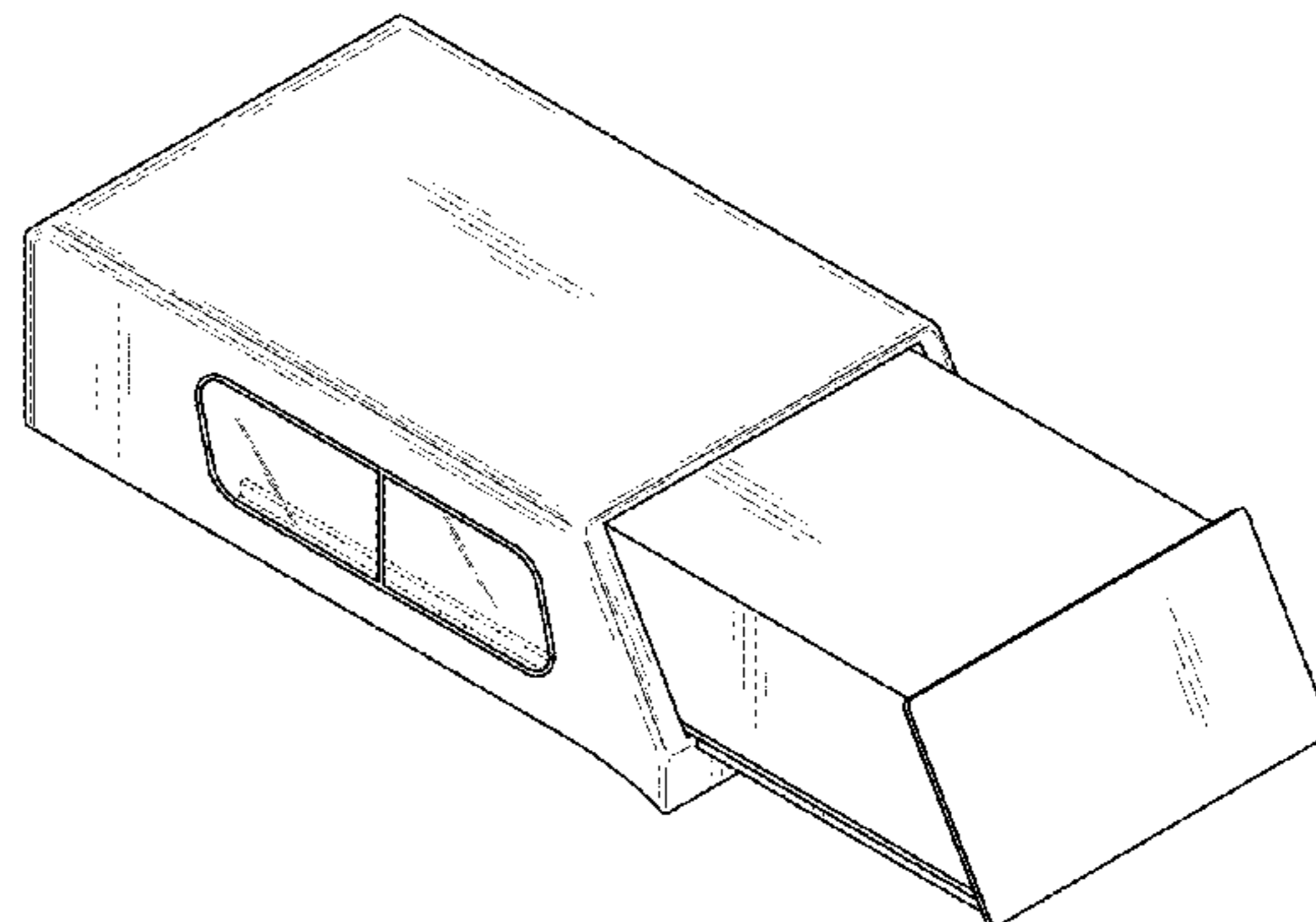
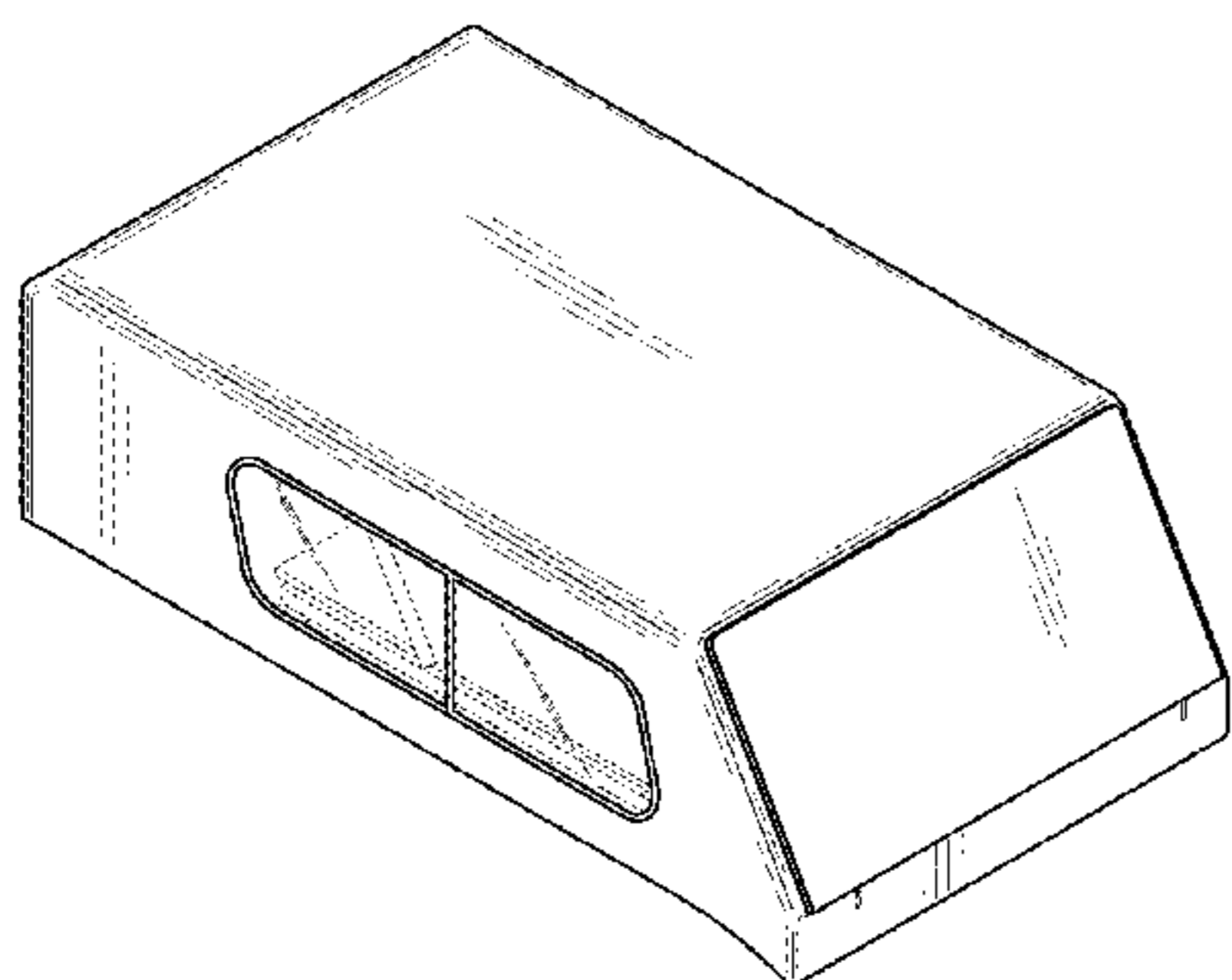
FIG. 5 is a rear view thereof;

FIG. 6 is a perspective view of the multi-purpose compartment in an open position; and,

FIG. 7 is a right side view of the multi-purpose compartment in an open position mounted to the roof of the vehicle, the left side view being a mirror image thereof.

The features shown in broken lines illustrate environment and form no part of the claimed design. The bottom of the invention, not shown in the views, forms no part of the claimed design.

**1 Claim, 3 Drawing Sheets**



(56)

References Cited

U.S. PATENT DOCUMENTS

D269,667 S \* 7/1983 Taylor ..... D12/413  
 D272,334 S \* 1/1984 Potterbaum ..... D12/404  
 D273,001 S \* 3/1984 Fink ..... D12/404  
 D286,394 S \* 10/1986 Johnson ..... D12/401  
 D295,620 S \* 5/1988 Littrell ..... D12/413  
 D298,929 S \* 12/1988 Johnson ..... D12/404  
 D299,223 S \* 1/1989 Galvin ..... D12/404  
 D310,806 S \* 9/1990 Hertzberg ..... D12/403  
 D319,608 S \* 9/1991 Dodgen ..... D12/100  
 D325,551 S \* 4/1992 Quiniones ..... D12/404  
 D326,441 S \* 5/1992 Rogers ..... D12/404  
 D328,062 S \* 7/1992 Burgess ..... D12/404  
 D330,182 S \* 10/1992 Jones ..... D12/404  
 D332,934 S \* 2/1993 Brown ..... D12/181  
 D368,064 S \* 3/1996 Speece ..... D12/404  
 D379,173 S \* 5/1997 Quiniones ..... D12/404  
 D431,225 S \* 9/2000 Perlman ..... D12/404  
 D445,397 S \* 7/2001 Gaytan ..... D12/404  
 D610,067 S \* 2/2010 Frankham ..... D12/404

D662,444 S \* 6/2012 Smoak ..... D12/102  
 D742,815 S \* 11/2015 Shaw ..... D12/103  
 D765,013 S \* 8/2016 Hindelang ..... D12/401

OTHER PUBLICATIONS

8 Hardshell Roof Top Tents That Will Soften Your Senses This 2018, OffRoadTents.com, Posted on Aug. 30, 2017 by Karsten Koberg, [online], [site visited Mar. 20, 2019]. <URL: <https://offroadtents.com/blogs/news/8-hardshell-roof-top-tents-that-will-soften-your-senses-1>> (Year: 2017).\*

White Mercedes van with VW camper extension on the roof-Image ID: APDWW4, Alamy.com, Date taken: 2006, [online], [site visited Mar. 20, 2019]. <URL: <https://www.alamy.com/white-mercedes-van-with-vw-camper-extension-on-the-roof-image9006163.html>> (Year: 2006).\*

Ford Econoline Van Roof Racks For 1992-2007, Aluminess.com, [online], [site visited Mar. 20, 2019]. <URL: <http://www.aluminess.com/ford/ford-econoline-van-roof-racks/>> (Year: 2019).\*

\* cited by examiner

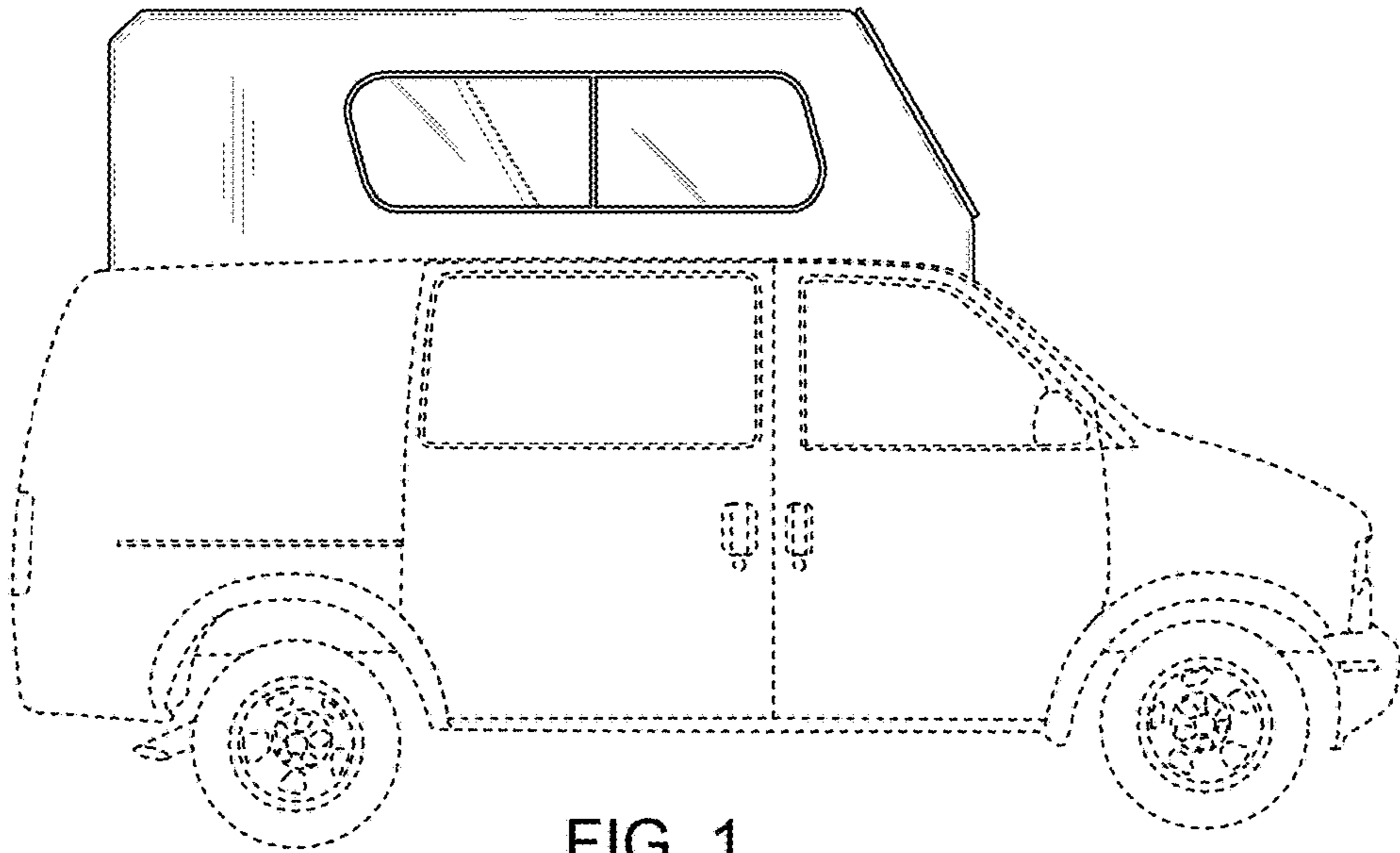


FIG. 1

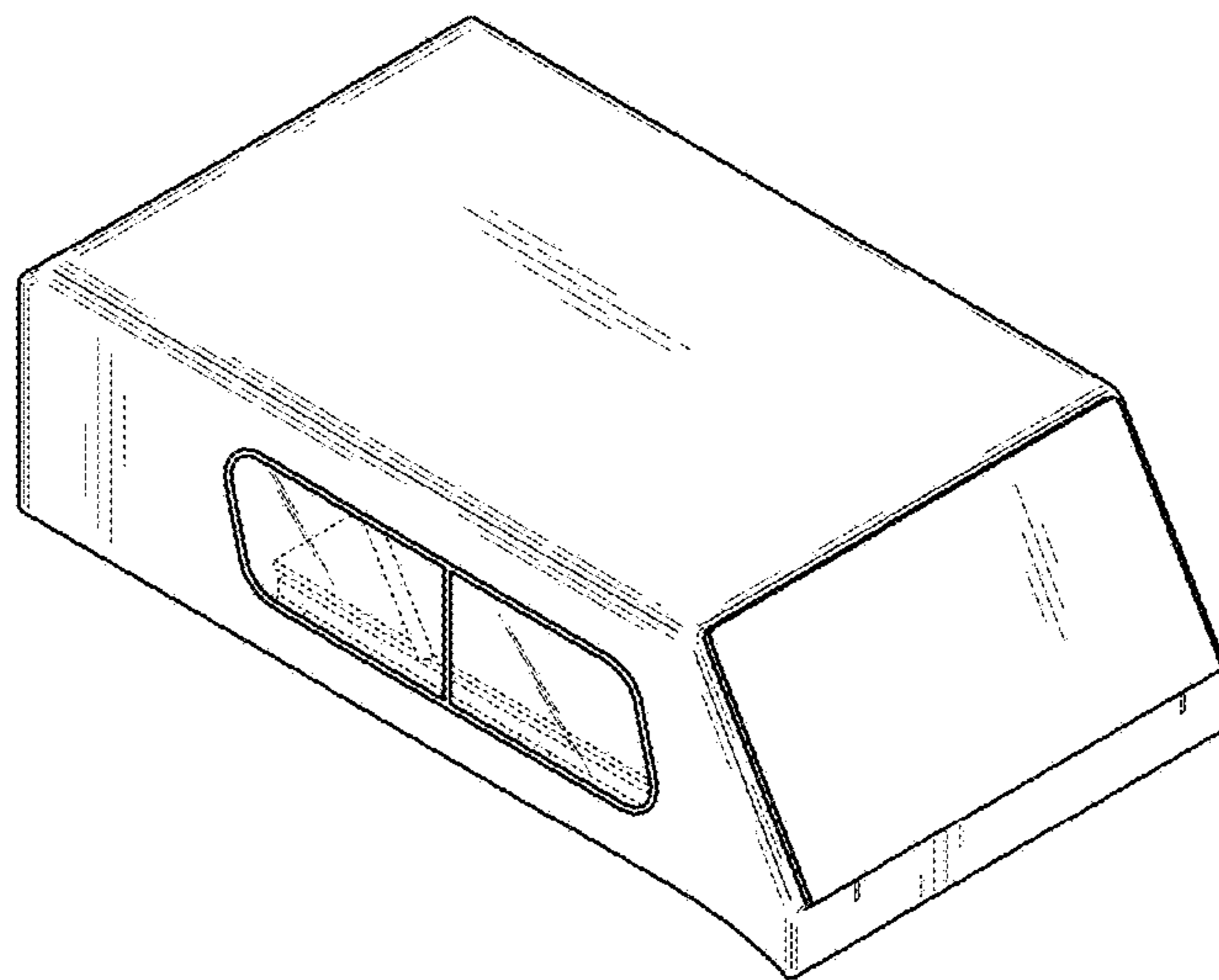


FIG. 2

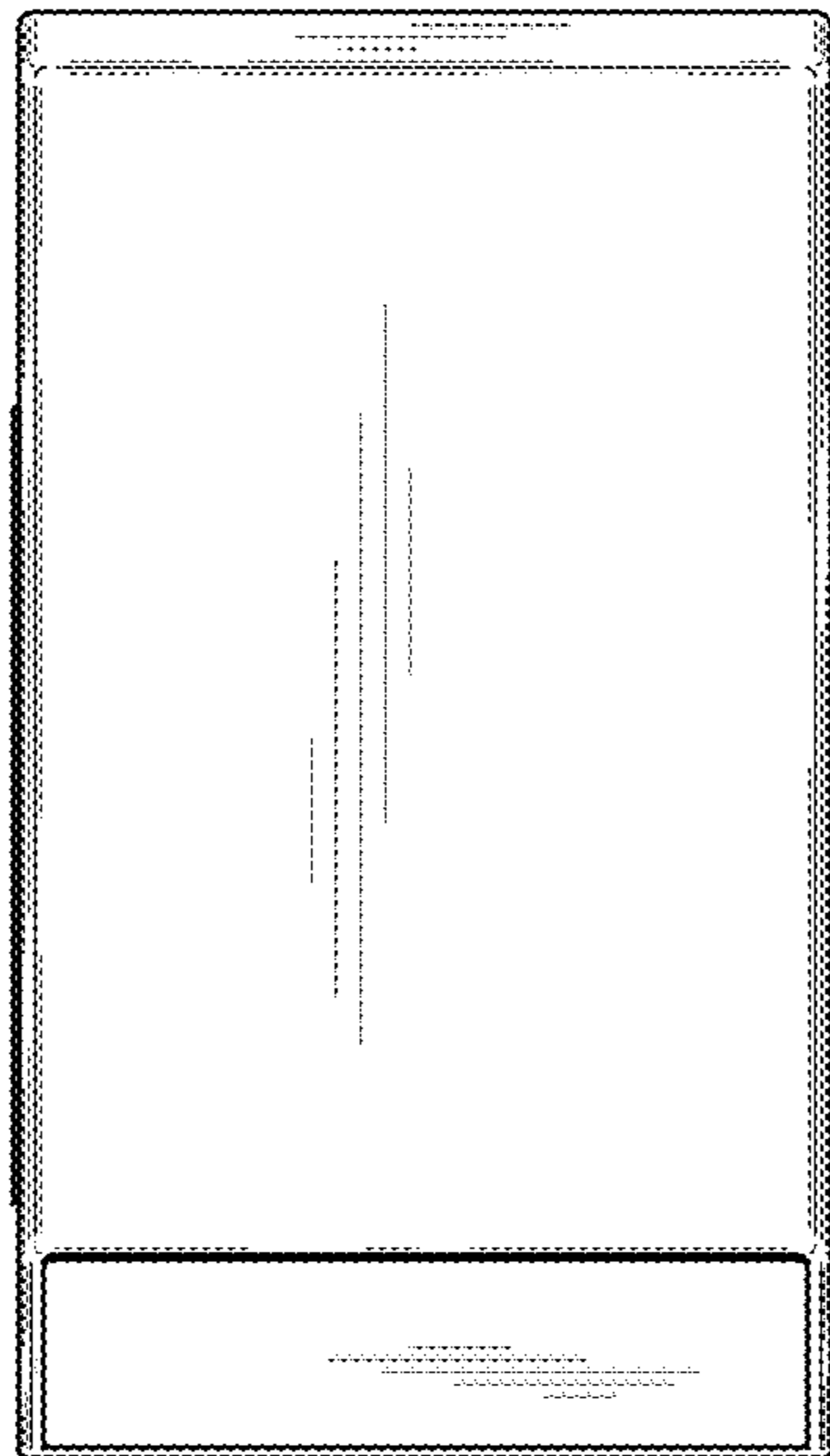


FIG. 3

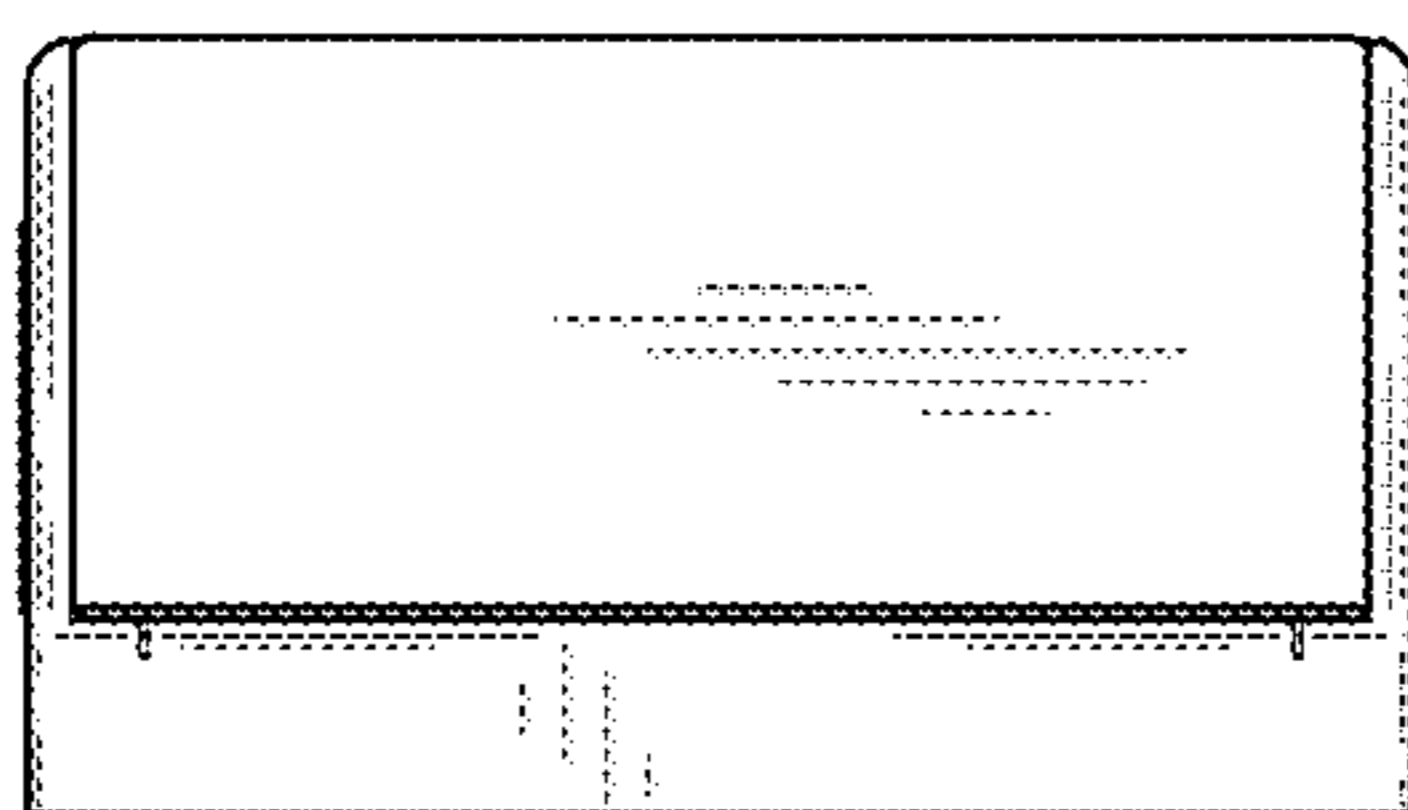


FIG. 4

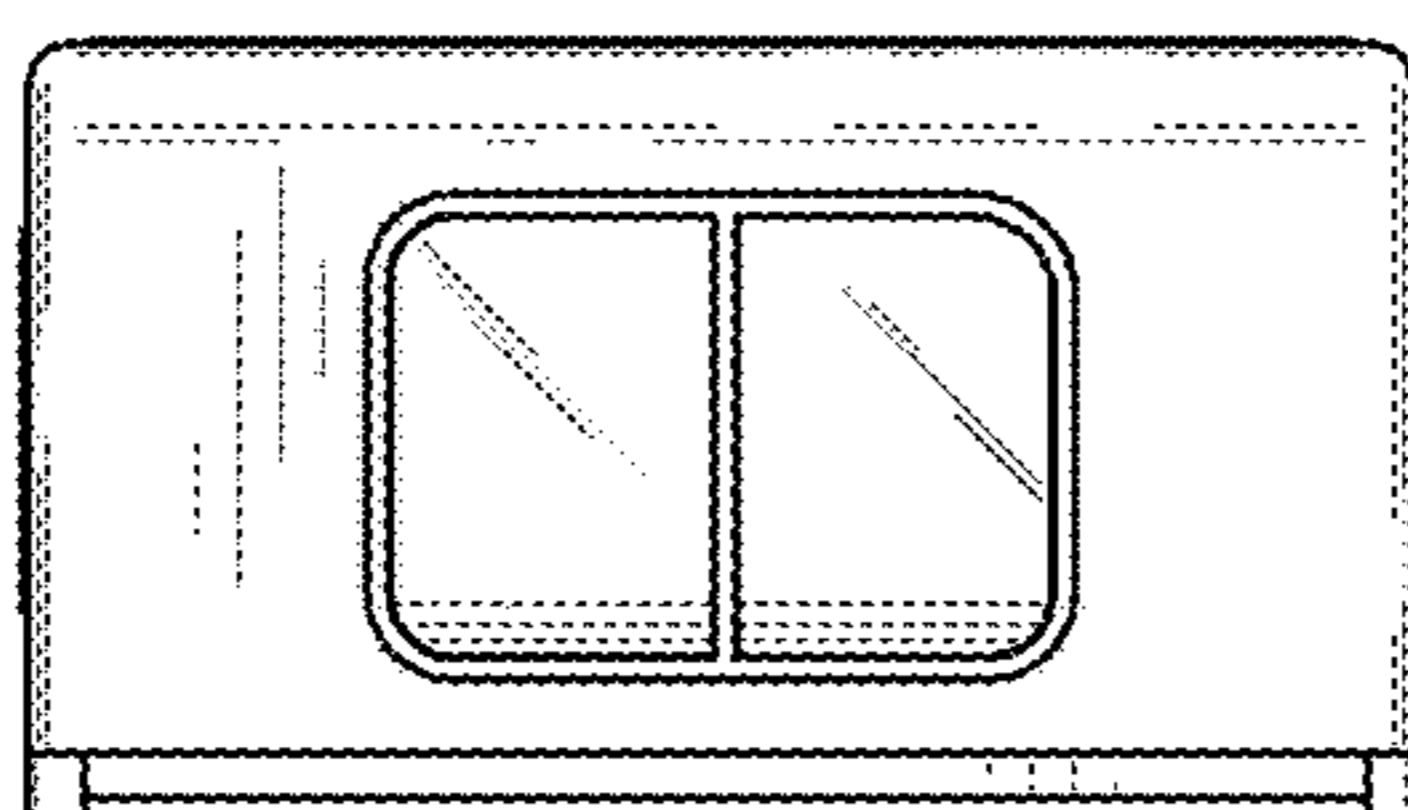


FIG. 5



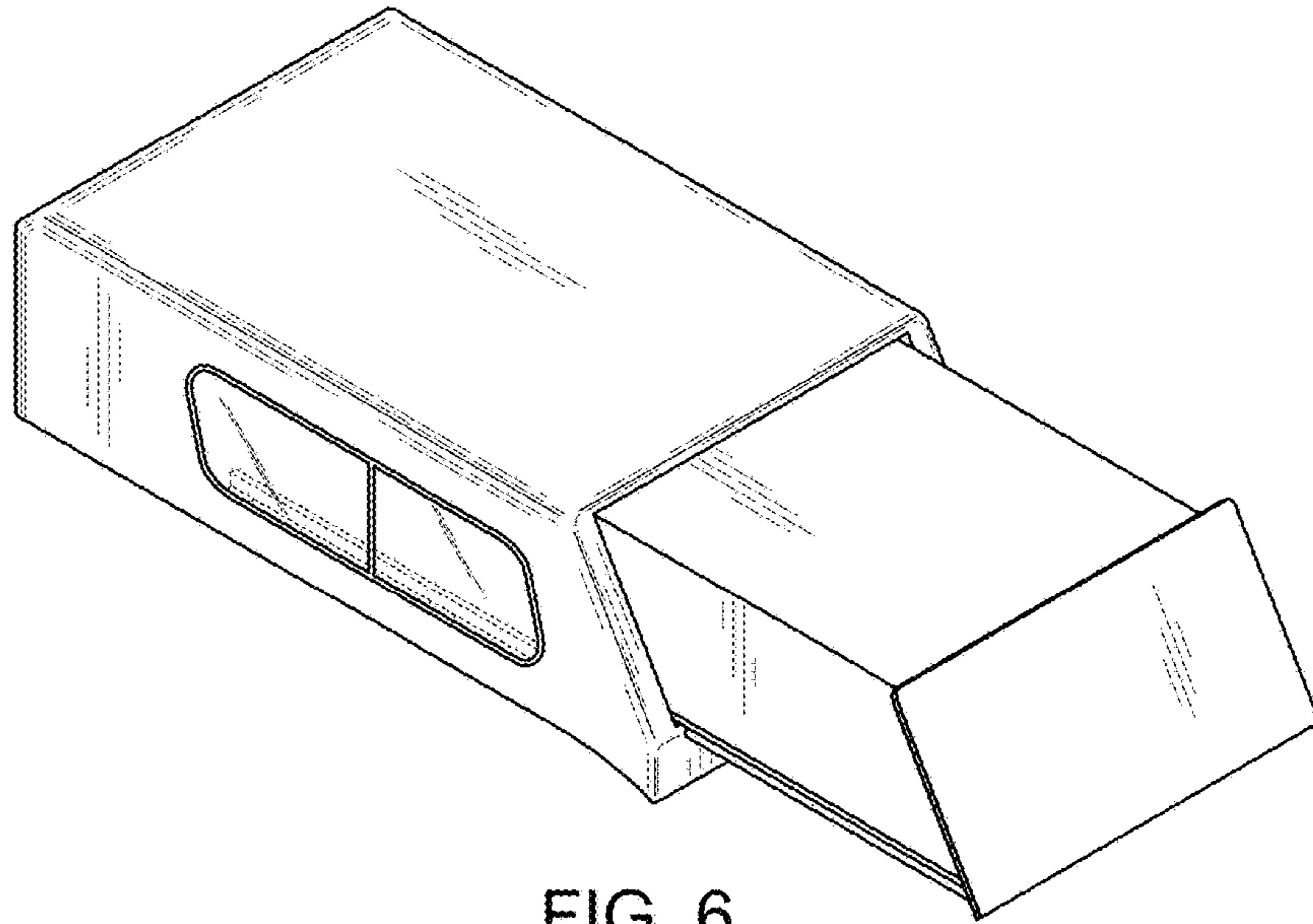


FIG. 6

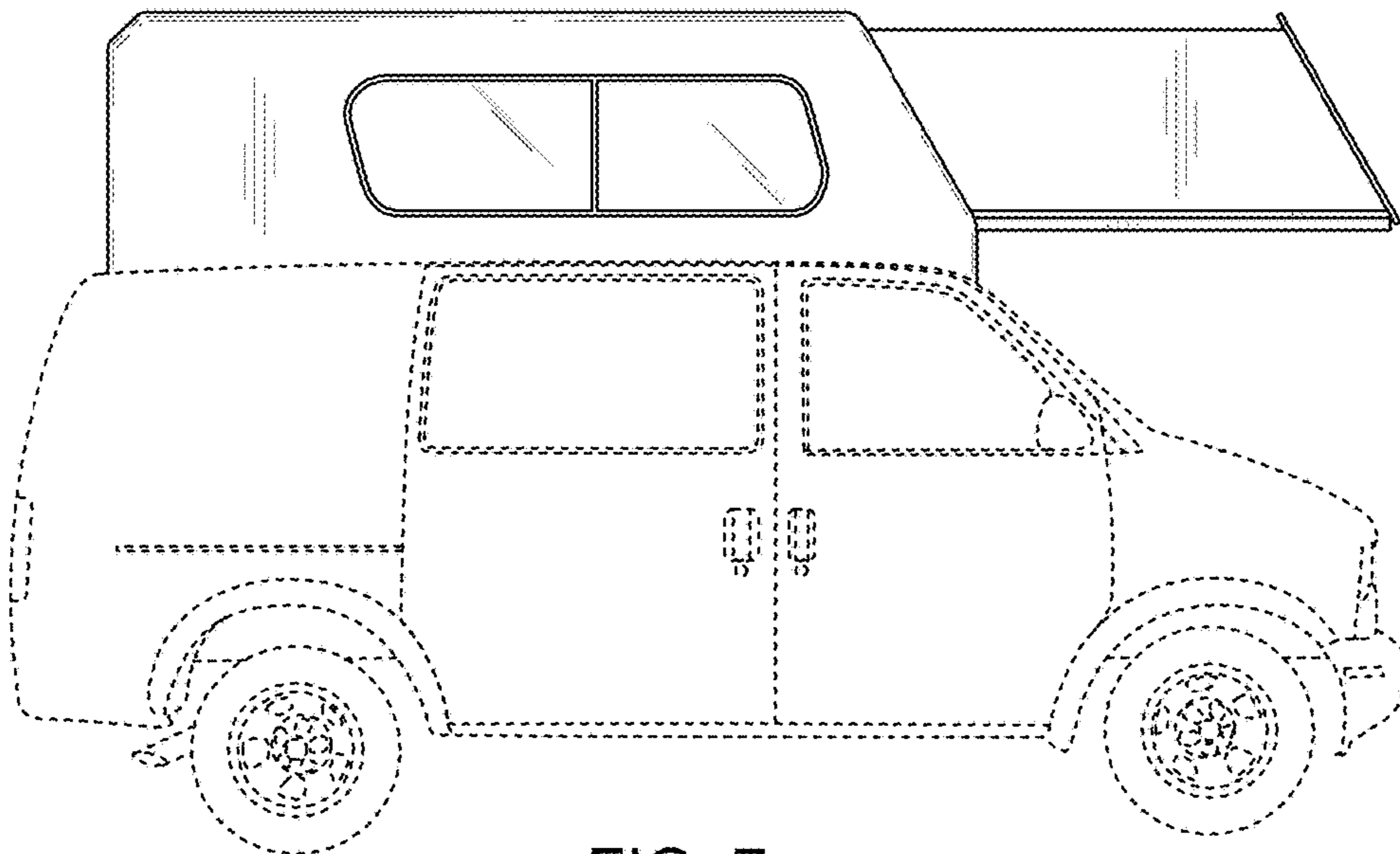


FIG. 7