



US00D859283S

(12) **United States Design Patent** (10) **Patent No.:** **US D859,283 S**  
**Adler et al.** (45) **Date of Patent:** **\*\* Sep. 10, 2019**

(54) **CARRIER**

- (71) Applicant: **Thule Sweden AB**, Hillerstorp (SE)
- (72) Inventors: **Jan Adler**, Skillingaryd (SE); **Henrik Eriksson**, Jönköping (SE)
- (73) Assignee: **Thule Sweden AB**, Hillerstorp (SE)
- (\*\*) Term: **15 Years**
- (21) Appl. No.: **29/589,355**
- (22) Filed: **Dec. 30, 2016**
- (51) **LOC (12) Cl.** ..... **12-16**
- (52) **U.S. Cl.**  
USPC ..... **D12/412**
- (58) **Field of Classification Search**  
USPC ..... D12/406, 412, 413, 414, 414.1; D6/552;  
D3/304, 305, 306  
CPC .. A63C 11/02; B60R 9/00; B60R 9/02; B60R 9/04; B60R 9/08; B60R 9/042; B60R 9/045; B60R 9/048; B60R 9/05; B60R 9/052; B60R 9/055; B60R 9/058; B60R 9/06; B60R 9/065; B60R 9/10; B60R 9/12  
See application file for complete search history.

(56) **References Cited**

U.S. PATENT DOCUMENTS

D235,759 S *	7/1975	Parsons	.....	D12/412
D302,000 S *	7/1989	Arvidsson	.....	D12/412
4,930,671 A *	6/1990	Tittel	.....	B60R 9/12 224/315
5,119,980 A *	6/1992	Grim	.....	B60R 9/12 224/315
D332,243 S *	1/1993	Collins	.....	D12/413
D348,034 S *	6/1994	Mann	.....	D12/412
D415,096 S	10/1999	Englander et al.		
D555,573 S *	11/2007	Kemery	.....	D12/412
D577,327 S	9/2008	Jung et al.		
D627,704 S	11/2010	Bucher et al.		

(Continued)

OTHER PUBLICATIONS

“Wintersport—Thule Xtender Ski Carrier,” Youtube.com, <<https://www.youtube.com/watch?v=CblVsTwmMgs&feature=youtu.be>>, dated June 18, 2012, 3 pages.

*Primary Examiner* — Susan E Krakower  
*Assistant Examiner* — Jerry Shiuan-Hua Hsu  
(74) *Attorney, Agent, or Firm* — Sterne, Kessler, Goldstein & Fox P.L.L.C.

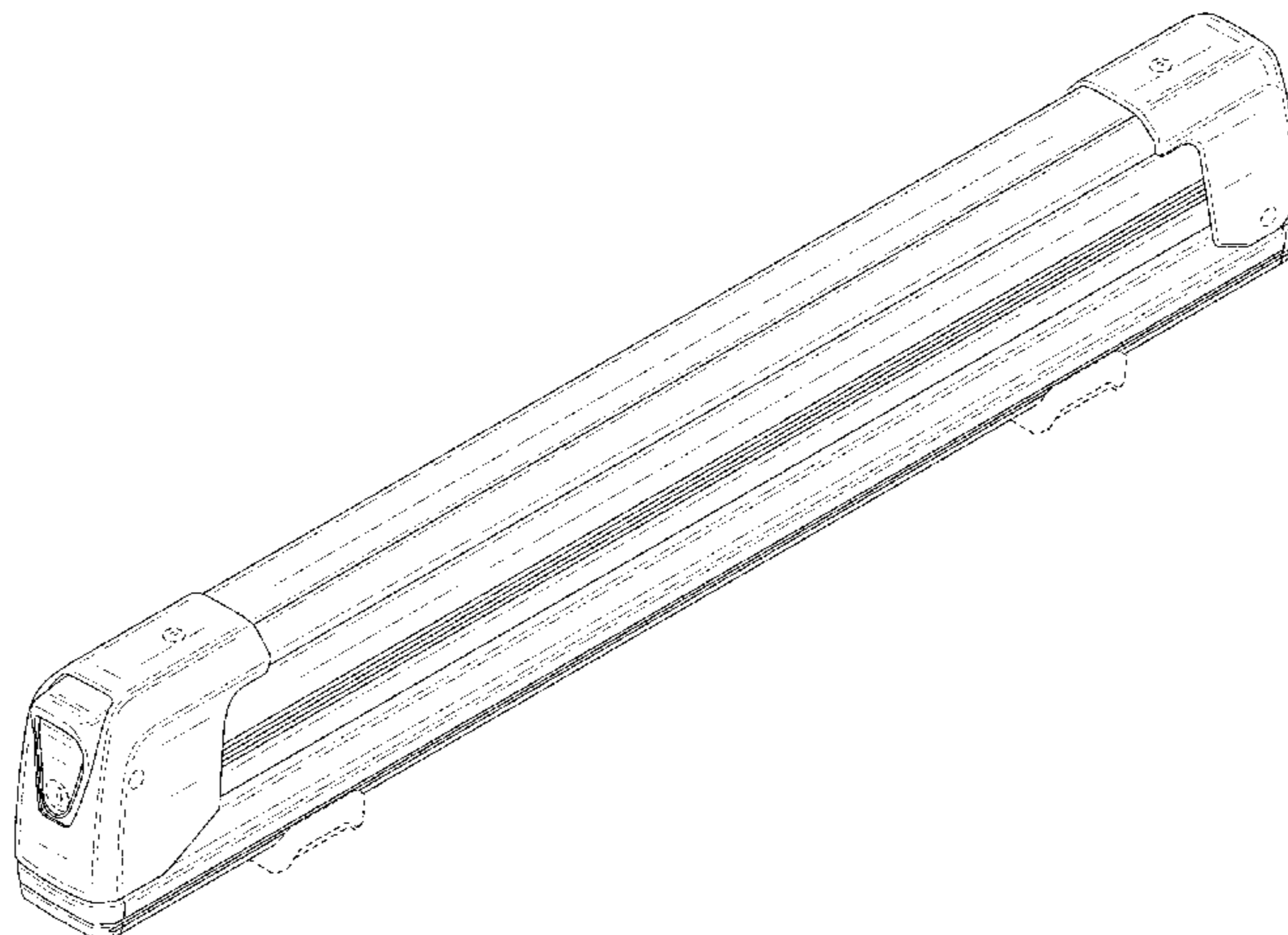
(57) **CLAIM**

The ornamental design for a carrier, as shown and described.

**DESCRIPTION**

FIG. 1 is a top front perspective view of a carrier showing the claimed design;  
FIG. 2 is a right side view thereof;  
FIG. 3 is a left side view thereof;  
FIG. 4 is a front view thereof;  
FIG. 5 is a rear view thereof;  
FIG. 6 is a top view thereof;  
FIG. 7 is a bottom view thereof;  
FIG. 8 is a top front perspective view thereof in an open and extended configuration;  
FIG. 9 is a right side view thereof in the open and extended configuration;  
FIG. 10 is a left side view thereof in the open and extended configuration;  
FIG. 11 is a front view thereof in the open and extended configuration;  
FIG. 12 is a rear view thereof in the open and extended configuration;  
FIG. 13 is a top view thereof in the open and extended configuration; and,  
FIG. 14 is a bottom view thereof in the open and extended configuration.  
The broken lines in the figures show portions of the carrier that form no part of the claimed design.

**1 Claim, 14 Drawing Sheets**



(56)

**References Cited**

U.S. PATENT DOCUMENTS

D628,949 S \* 12/2010 Farber ..... D12/412  
D633,030 S 2/2011 Robertson  
D642,112 S \* 7/2011 Farber ..... D12/414  
D642,113 S \* 7/2011 Farber ..... D12/414  
D657,301 S \* 4/2012 Bogoslofski ..... B60R 9/08  
D12/406  
D665,726 S \* 8/2012 Eriksson ..... D12/412  
D691,550 S 10/2013 Moeller  
D719,902 S 12/2014 Sautter et al.  
D719,903 S \* 12/2014 Sautter ..... D12/412  
D778,224 S \* 2/2017 Eriksson ..... D12/412  
2014/0143990 A1 5/2014 Sautter et al.  
2015/0191127 A1 \* 7/2015 Sautter ..... B60R 9/08  
224/331  
2016/0184689 A1 \* 6/2016 Magnusson ..... A63C 11/02  
280/814

\* cited by examiner

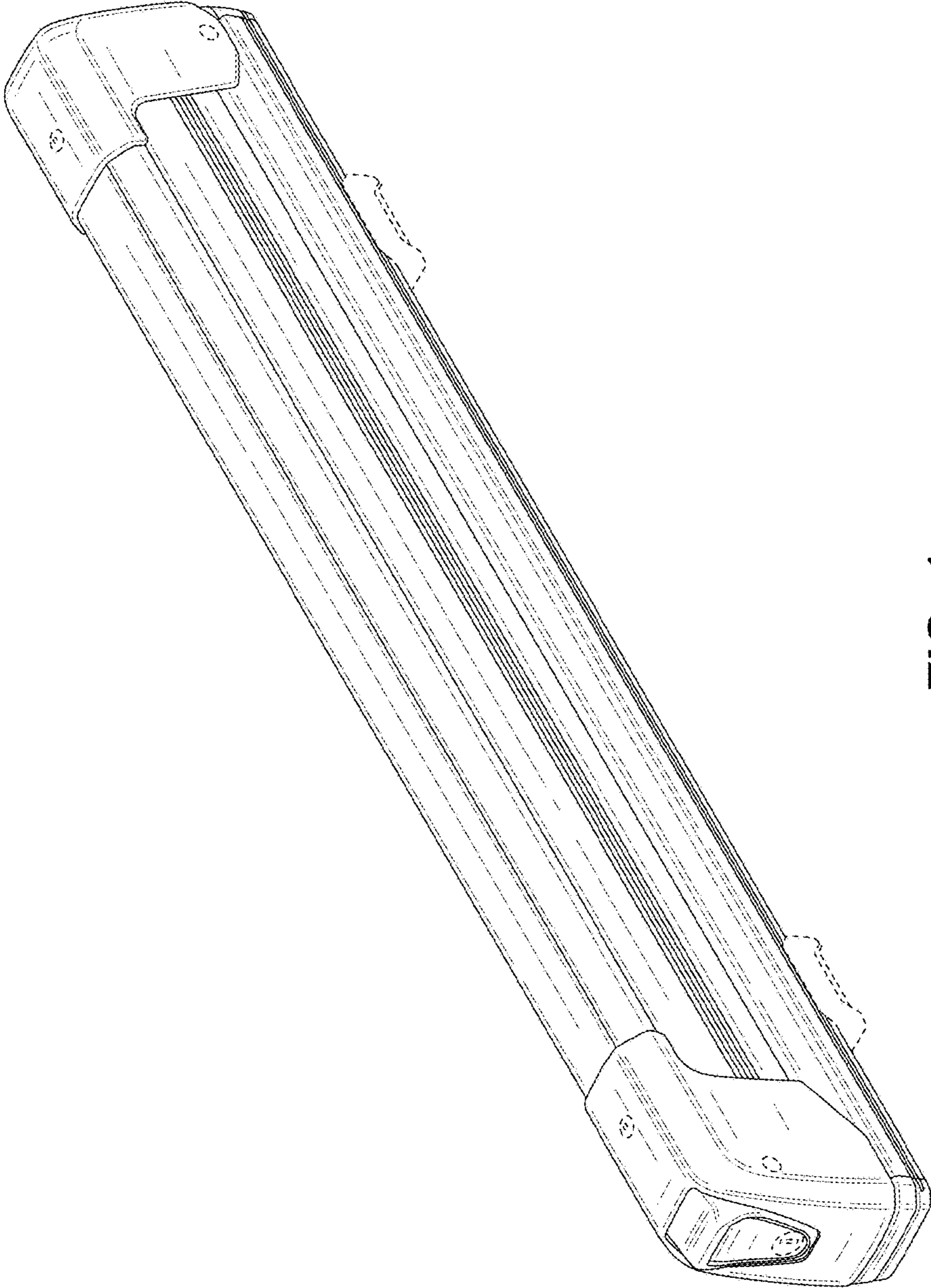


FIG. 1

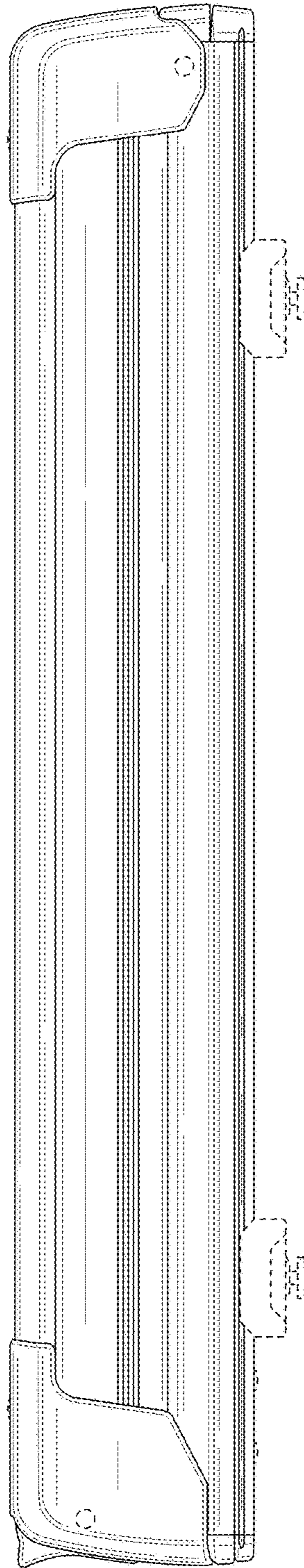


FIG. 2



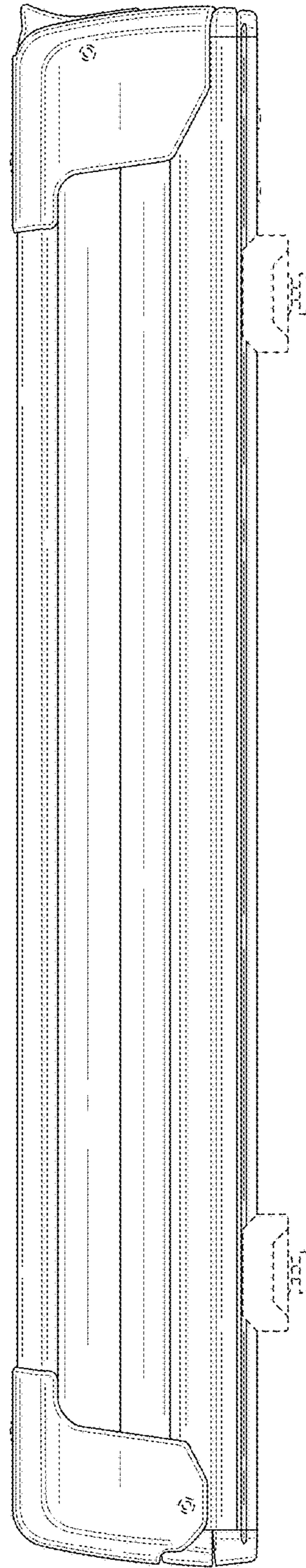
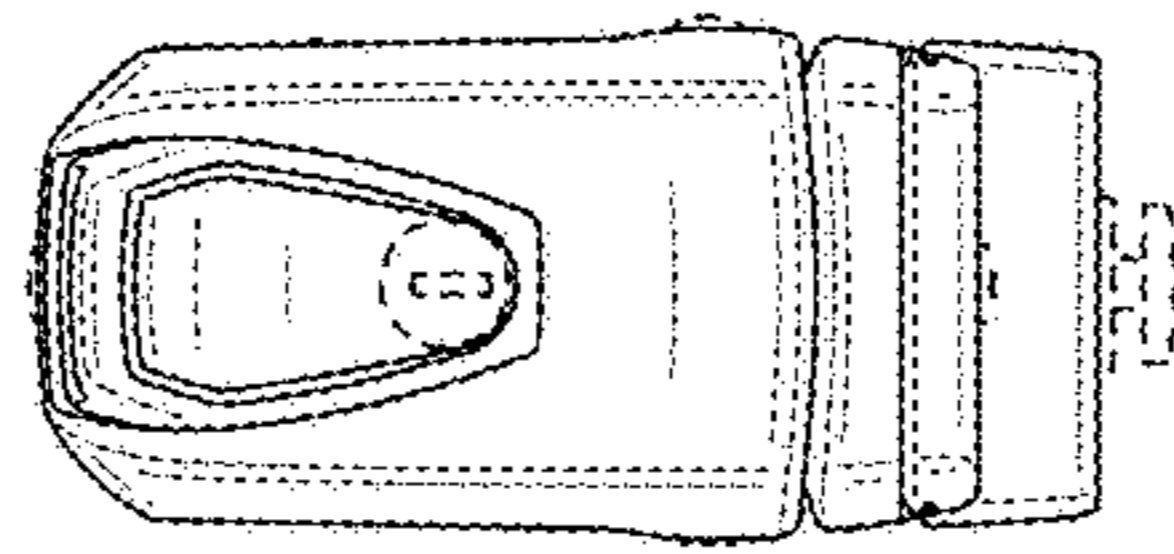
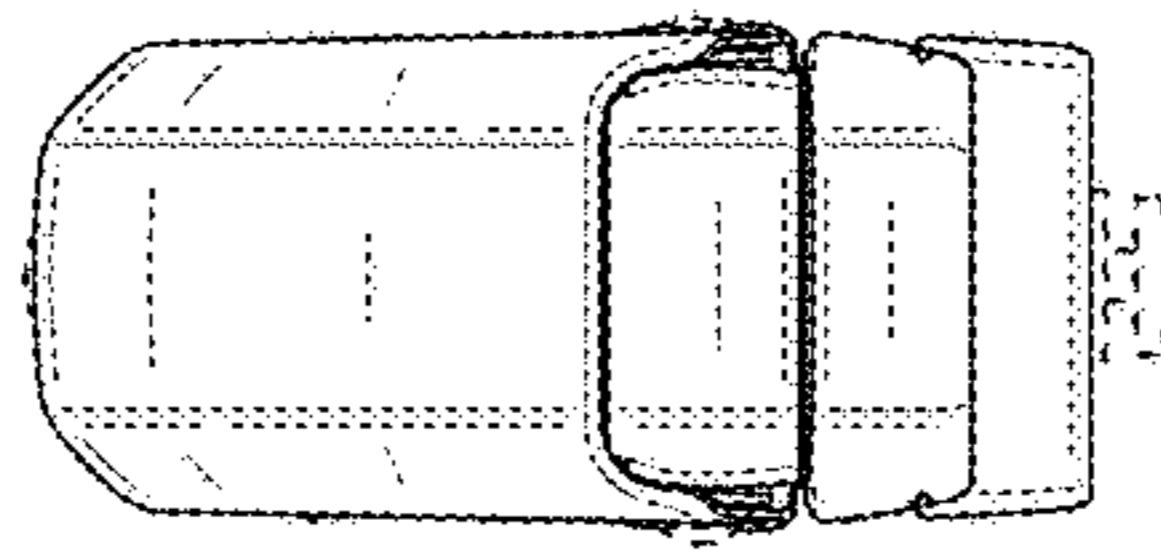


FIG. 3



**FIG. 4**



**FIG. 5**

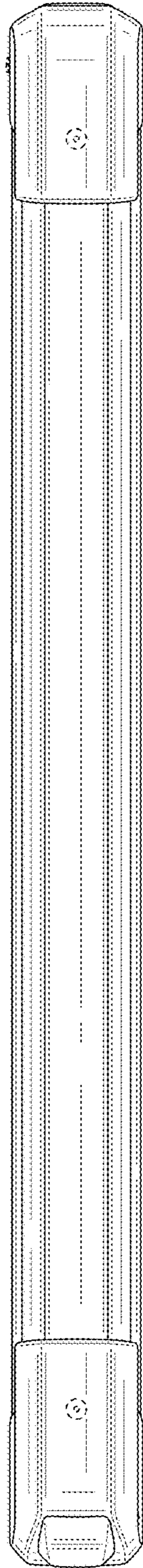


FIG. 6



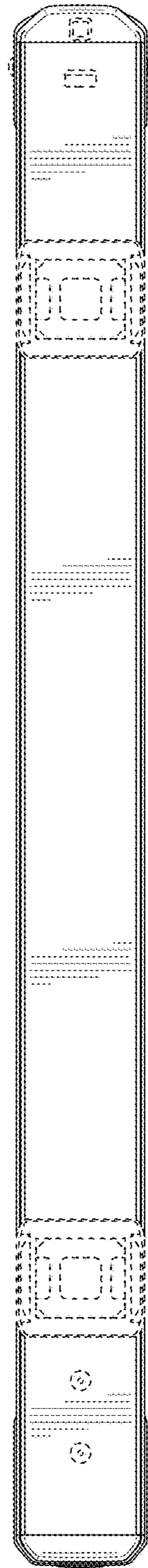


FIG. 7

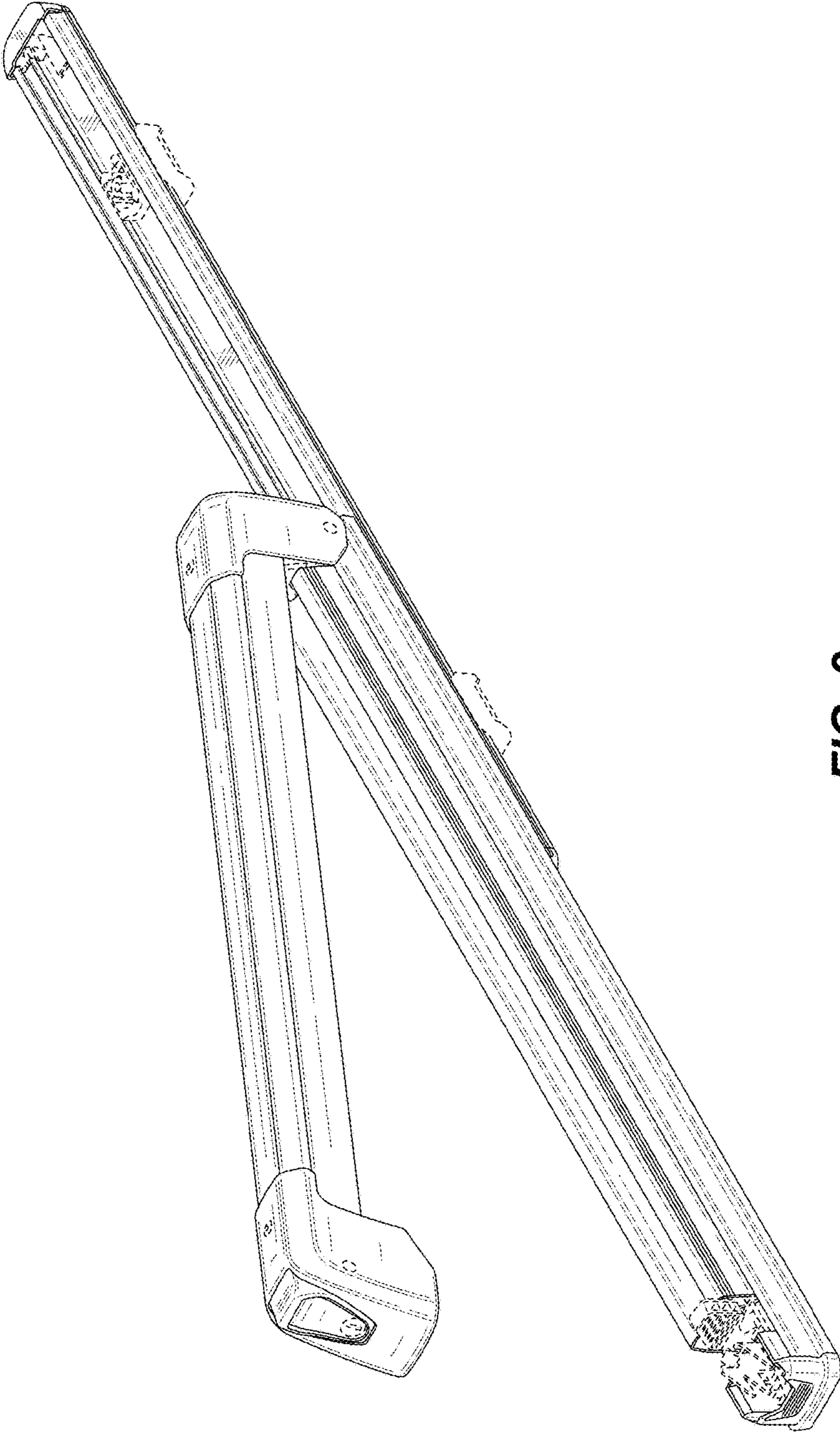
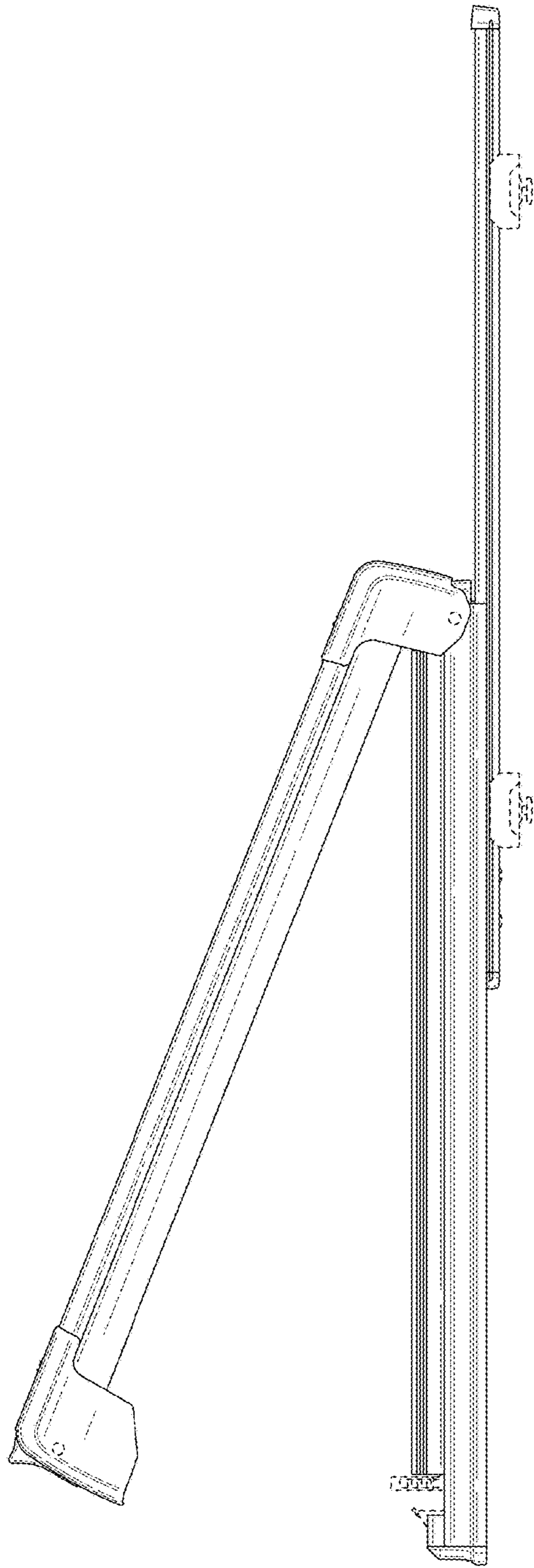


FIG. 8



**FIG. 9**

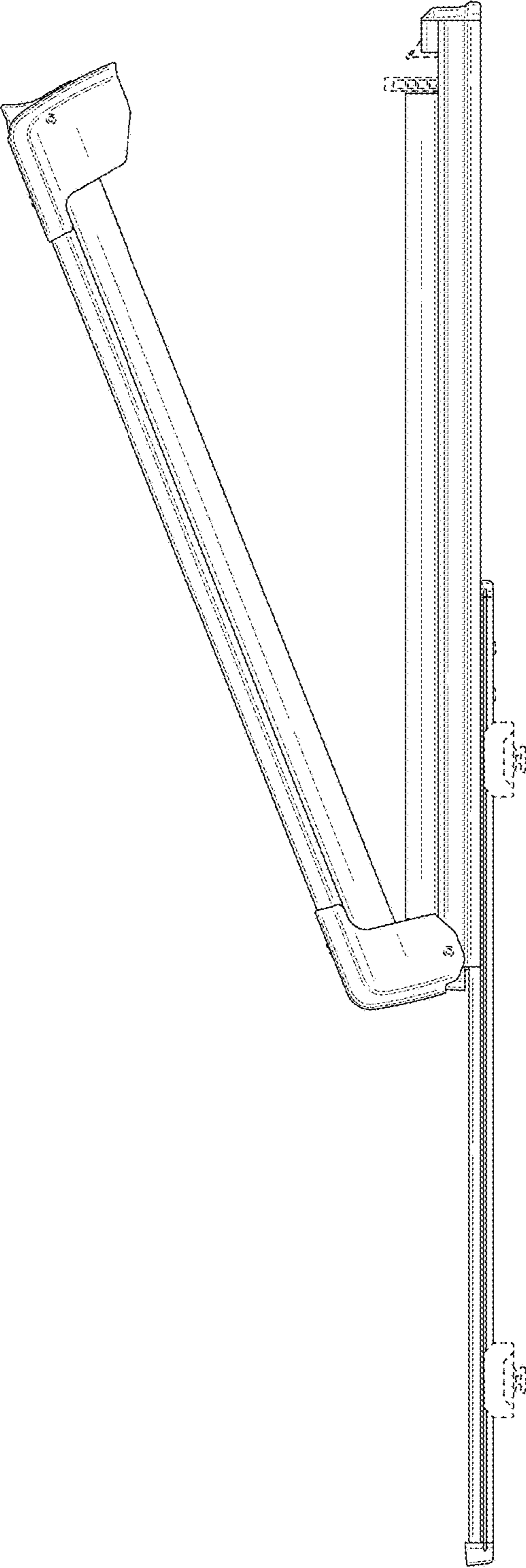
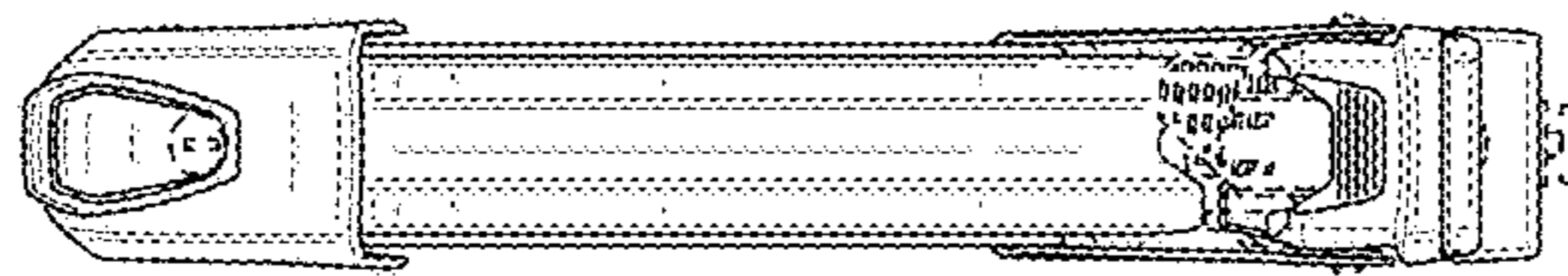
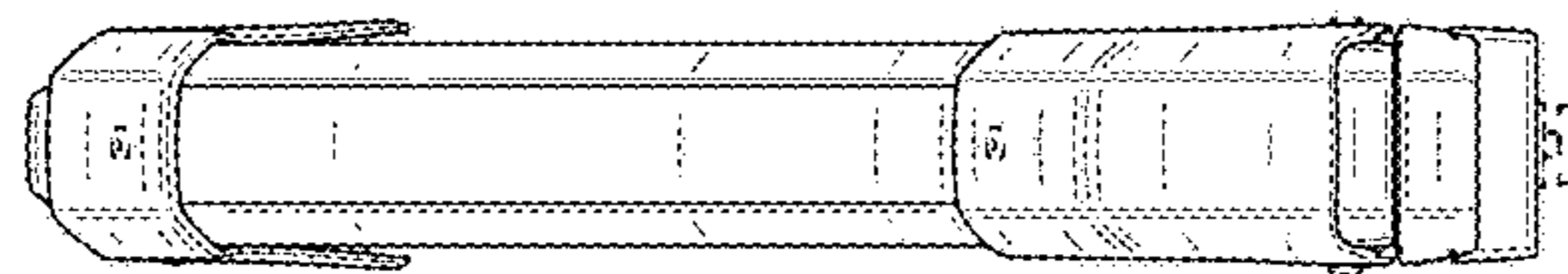


FIG. 10

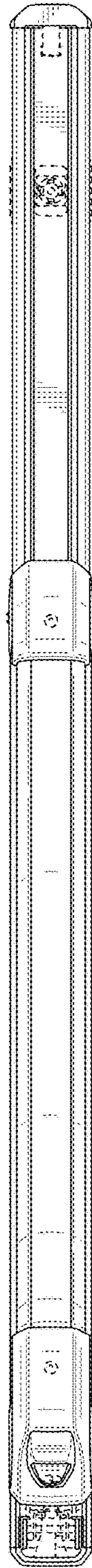


**FIG. 11**

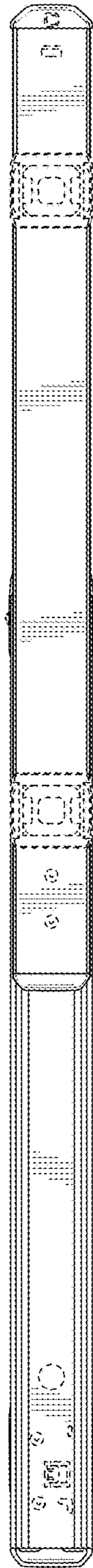




**FIG. 12**



**FIG. 13**



**FIG. 14**