



US00D859282S

(12) **United States Design Patent**
Dowdey

(10) **Patent No.:** **US D859,282 S**

(45) **Date of Patent:** **** Sep. 10, 2019**

(54) **TRUCK BED CAP**

(71) Applicant: **Michigan Vehicle Solutions**, Southgate,
MI (US)

(72) Inventor: **Christopher Carl Dowdey**, Trenton,
MI (US)

(73) Assignee: **Michigan Vehicle Solutions**, Southgate,
MI (US)

(**) Term: **15 Years**

(21) Appl. No.: **29/641,974**

(22) Filed: **Mar. 26, 2018**

Related U.S. Application Data

(62) Division of application No. 29/591,388, filed on Jan.
19, 2017, now Pat. No. Des. 813,788.

(51) **LOC (12) Cl.** **12-16**

(52) **U.S. Cl.**
USPC **D12/401**

(58) **Field of Classification Search**
USPC D12/401-405; D7/332-337; D6/610,
D6/611, 601-603, 615, 617, 621
CPC B60J 11/06; B60J 11/08; A47C 31/10
See application file for complete search history.

(56) **References Cited**

U.S. PATENT DOCUMENTS

D483,317 S * 12/2003 Dowdey D12/404
D615,477 S * 5/2010 Leone D12/404

D623,583 S * 9/2010 Girardi D12/404
D662,870 S * 7/2012 Russ D12/404
D693,759 S * 11/2013 Hill D12/404
D731,952 S * 6/2015 Larson D12/404
D775,056 S * 12/2016 Wheel D12/404
D793,945 S * 8/2017 Short D12/404
D833,366 S * 11/2018 Dowdey D12/401

* cited by examiner

Primary Examiner — Katrina A Betton

(74) *Attorney, Agent, or Firm* — Dickinson Wright PLLC;
Craig A. Phillips

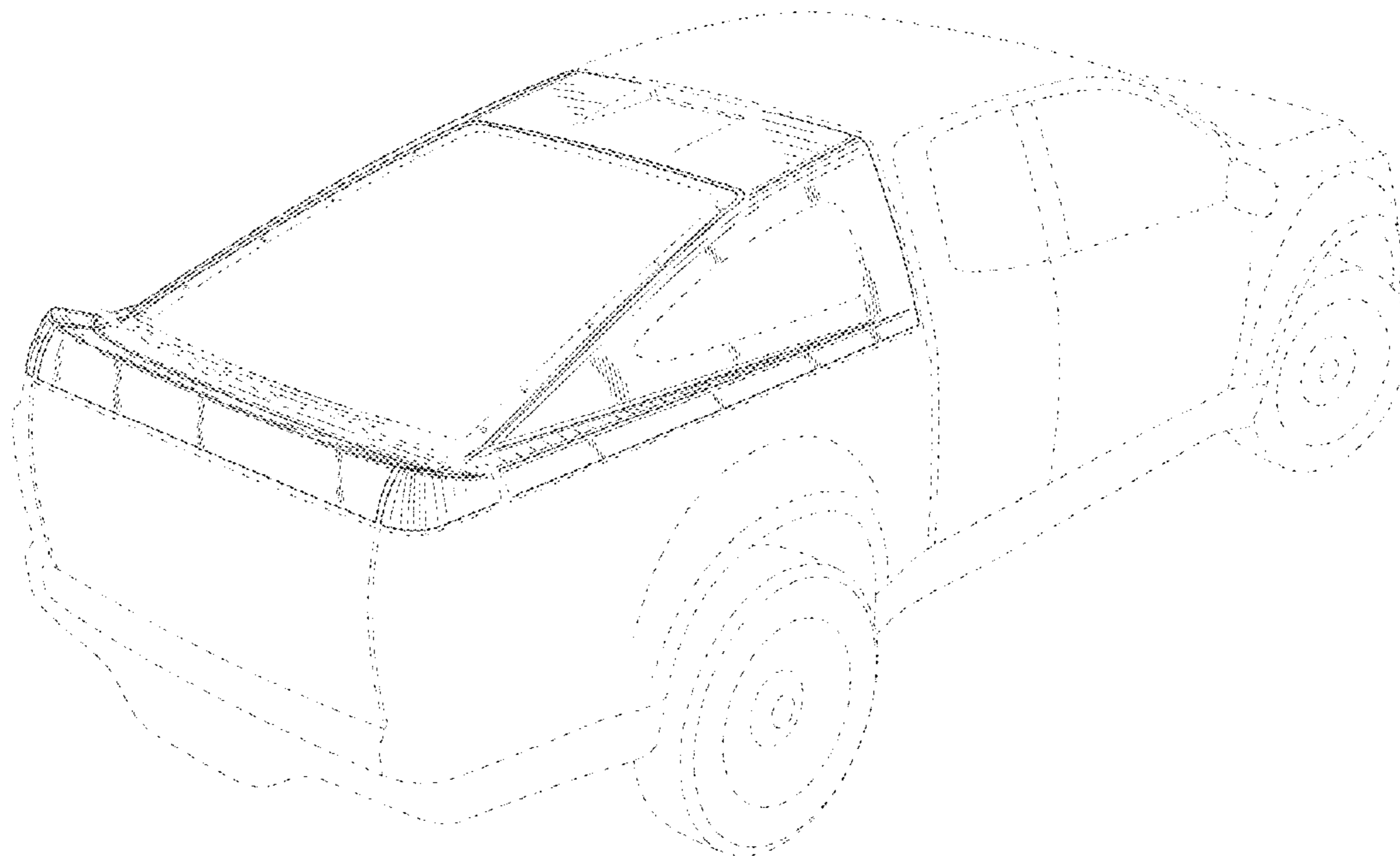
(57) **CLAIM**

The ornamental design for the truck bed cap, as shown and
described.

DESCRIPTION

FIG. 1 is a rear perspective view of a truck be cap showing
our new design;
FIG. 2 is a left elevational view there of;
FIG. 3 is a rear elevational view thereof;
FIG. 4 is a front elevational view thereof;
FIG. 5 is a top plan view thereof; and,
FIG. 6 is a bottom plan view thereof.
In the drawings, the broken lines in depict portions of a
vehicle that form no part of the claimed design.

1 Claim, 5 Drawing Sheets



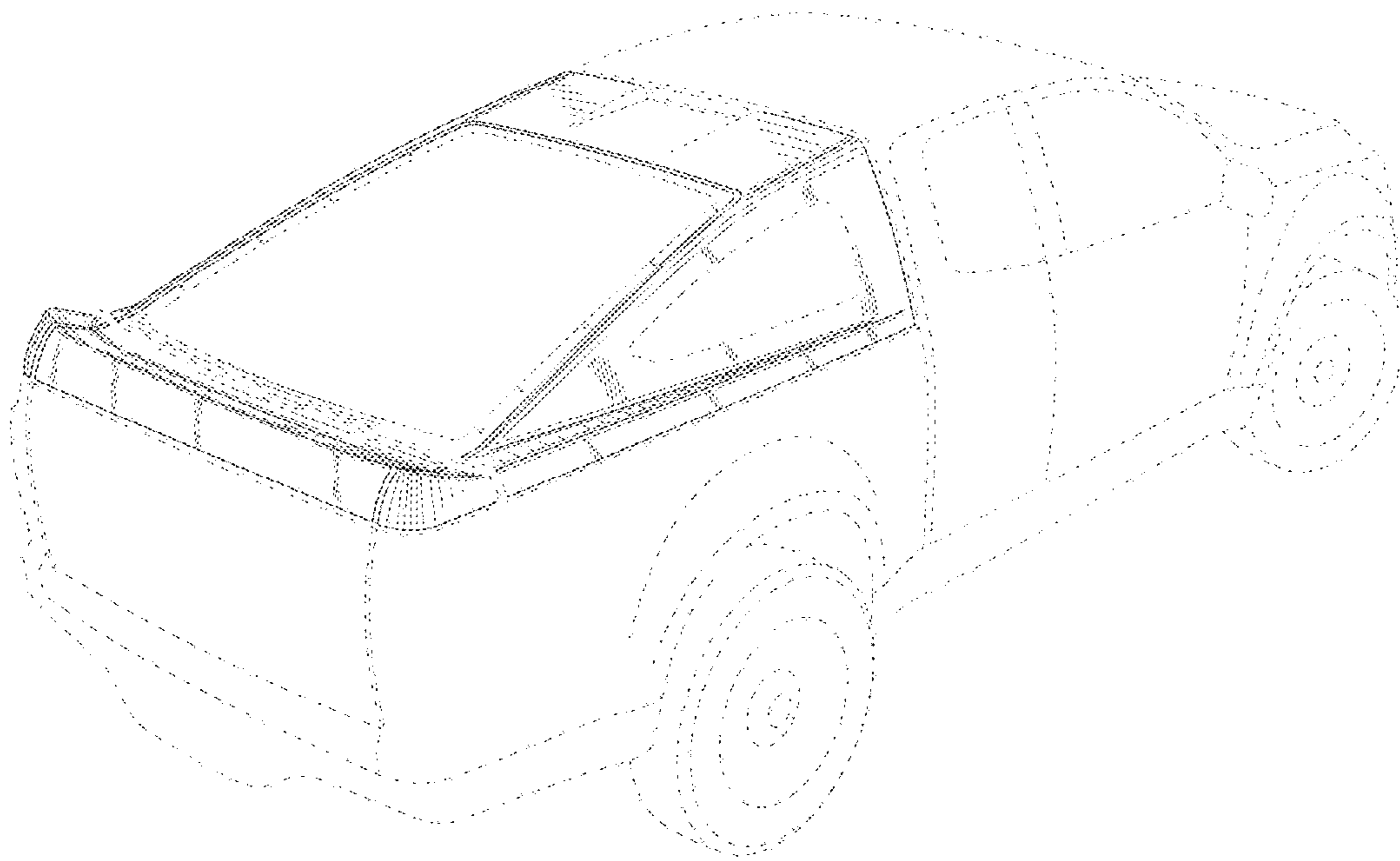


Fig. 1

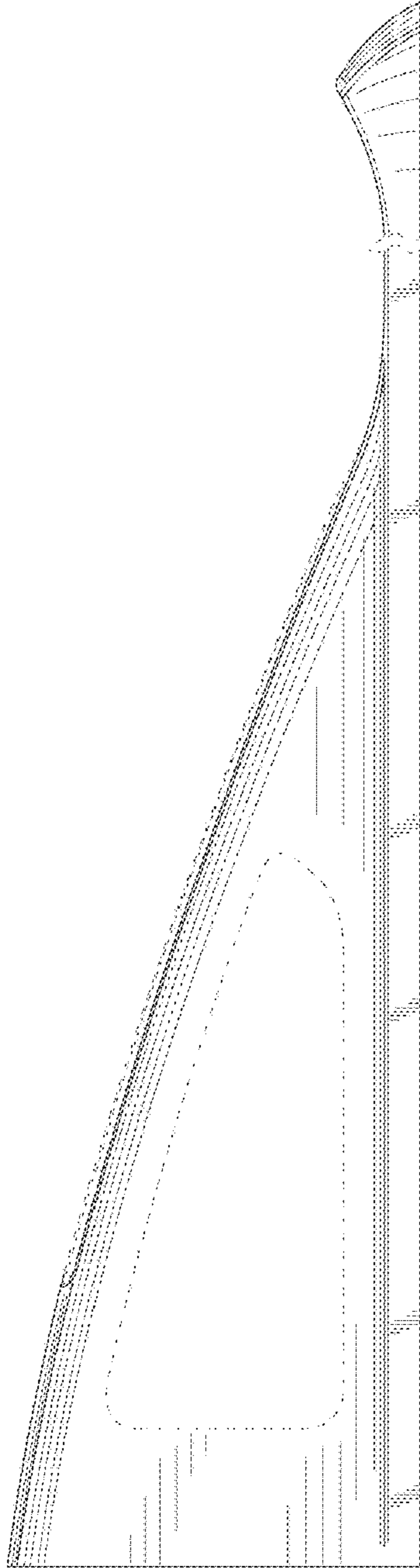


Fig. 2

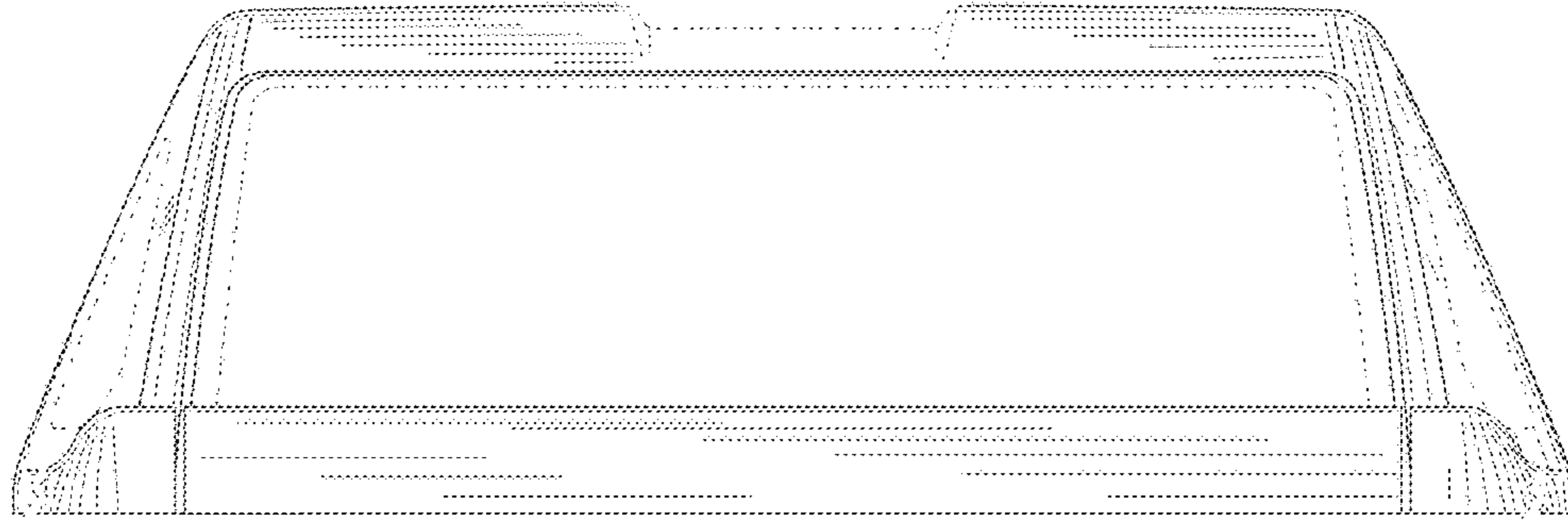


Fig. 3

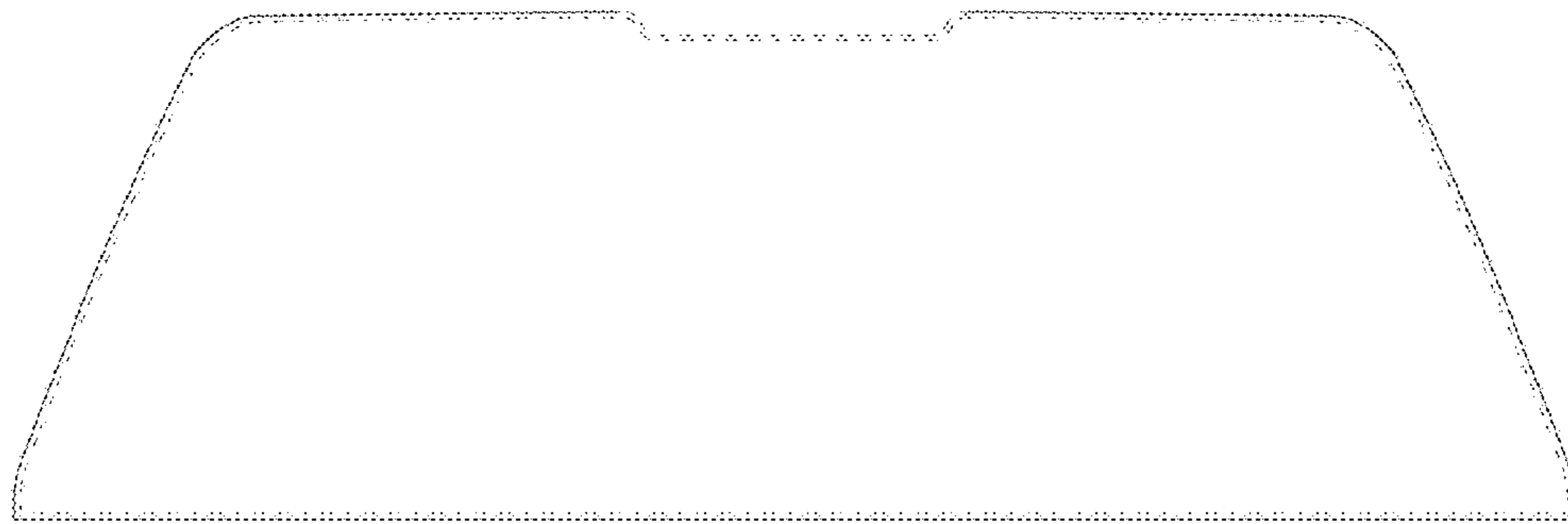


Fig. 4

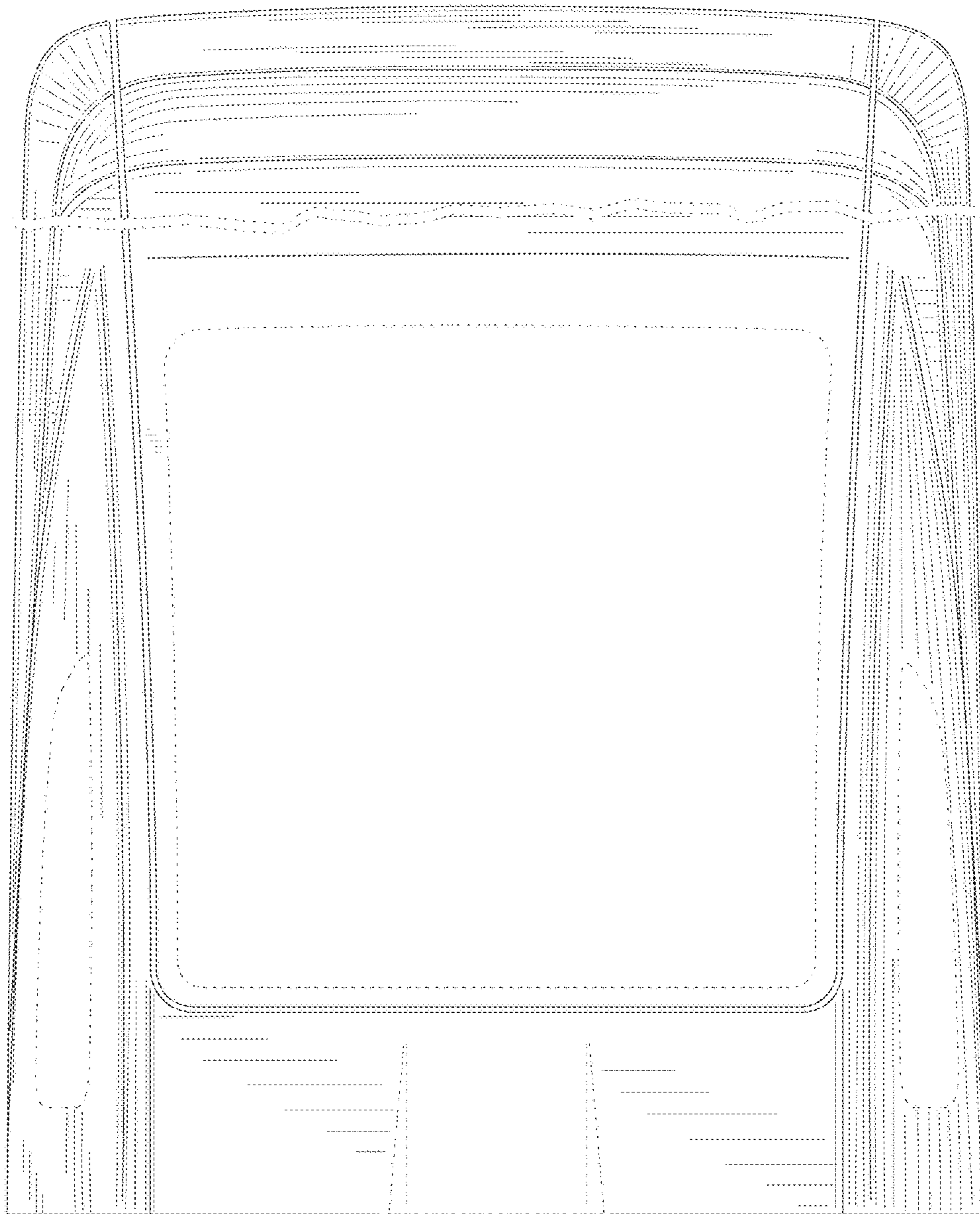


Fig. 5

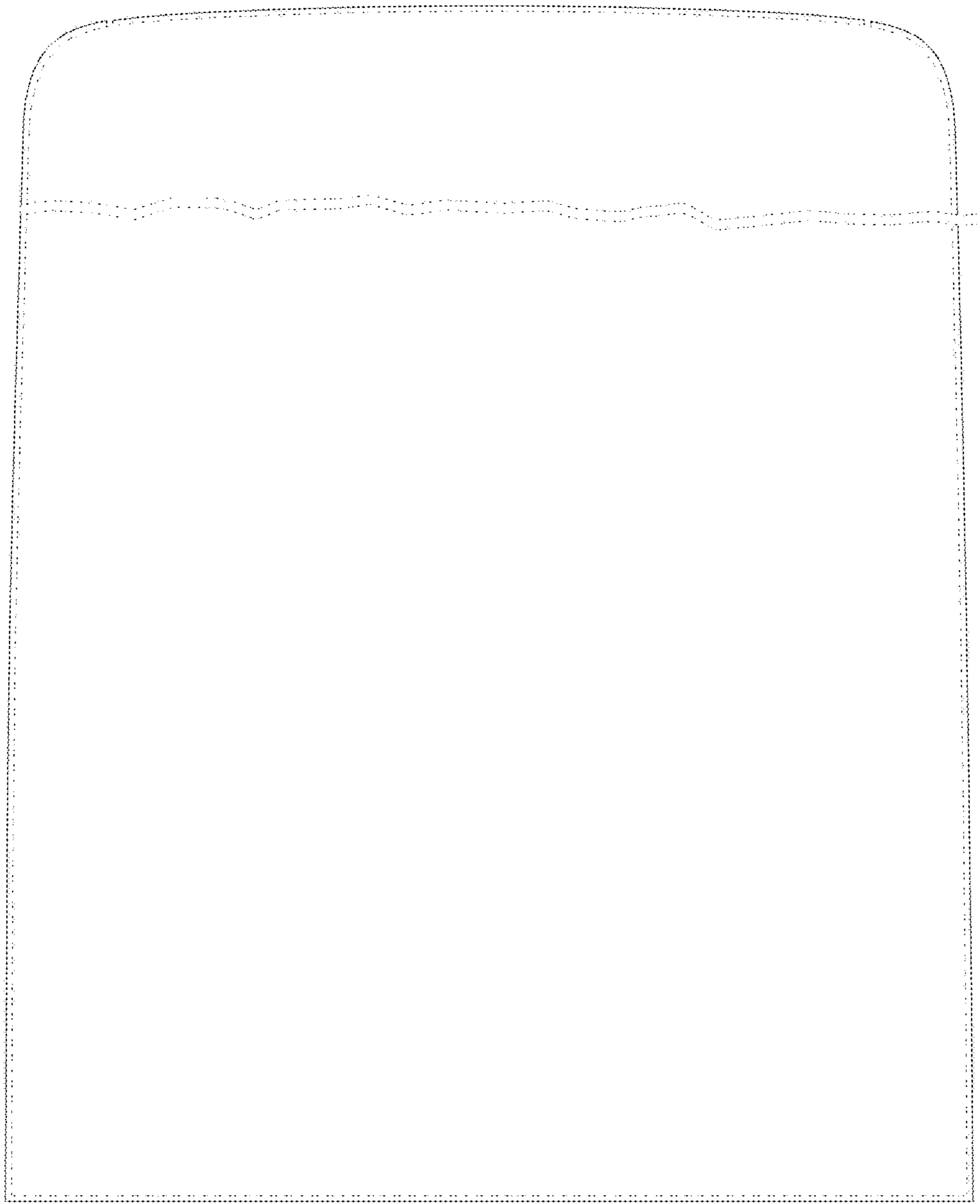


Fig. 6