



US00D859280S

(12) **United States Design Patent**
Calcedonio Boscarino et al.

(10) **Patent No.:** **US D859,280 S**

(45) **Date of Patent:** **** Sep. 10, 2019**

(54) **COMBINED AIRCRAFT AND SCALE MODEL**

(71) Applicant: **LEONARDO S.p.A.**, Rome (IT)

(72) Inventors: **Aurelio Calcedonio Boscarino**, Turin (IT); **Alberto Beccaro**, Vercelli (IT); **Pierclaudio Iaia**, Varese (IT); **Italo Catino Nicola**, Rivoli (IT); **Diego Curletto**, Collegno (IT); **Davide De Simone**, Turin (IT); **Luciana Lo Verde**, Collegno (IT); **Paolo Di Stefano**, Turin (IT); **Silva Regis**, Rivoli (IT); **Riccardo Bagetto**, Turin (IT)

(73) Assignee: **LEONARDO S.P.A.**, Rome (IT)

(**) Term: **15 Years**

(21) Appl. No.: **29/568,310**

(22) Filed: **Jun. 16, 2016**

(30) **Foreign Application Priority Data**

Dec. 18, 2015 (EM) 002916221

(51) **LOC (12) Cl.** **12-07**

(52) **U.S. Cl.**
USPC **D12/323**

(58) **Field of Classification Search**
USPC D12/16.1, 319-345; D21/436, 441, 442, D21/443, 444, 447-454, 437
CPC B64C 2201/141; B64C 39/024; B64C 2201/127
See application file for complete search history.

(56) **References Cited**

U.S. PATENT DOCUMENTS

D278,730 S * 5/1985 Ninomiya D21/449
D430,529 S * 9/2000 Hajek D12/319

D495,376 S * 8/2004 Zee D21/450
D495,762 S * 9/2004 Darack D12/321
D596,267 S * 7/2009 Colgren D12/319
8,123,162 B2 * 2/2012 Sirkis B64C 39/024
244/100 A
8,177,162 B2 * 5/2012 Karkow B64C 35/001
244/105
D665,331 S * 8/2012 Sands D12/319
D691,547 S * 10/2013 Hall D12/319
D706,678 S * 6/2014 Earon D12/16.1
D717,227 S * 11/2014 Herzberger D12/324
D725,548 S * 3/2015 Herald D12/16.1
D725,576 S * 3/2015 Vickers D12/3
D787,983 S * 5/2017 Fargeau D12/16.1
D795,160 S * 8/2017 Koppenwallner D12/343
D800,843 S * 10/2017 Sartorius D21/447
D807,273 S * 1/2018 Koppenwallner D12/337
D809,448 S * 2/2018 Schmiderer D12/344
D810,621 S * 2/2018 Sadek D12/16.1
D813,143 S * 3/2018 Belik D12/326
2008/0149758 A1 * 6/2008 Colgren B64C 9/02
244/13
2010/0237183 A1 * 9/2010 Wilson B64C 39/024
244/3

(Continued)

Primary Examiner — Marissa J Cash

(74) *Attorney, Agent, or Firm* — Merchant & Gould P.C.

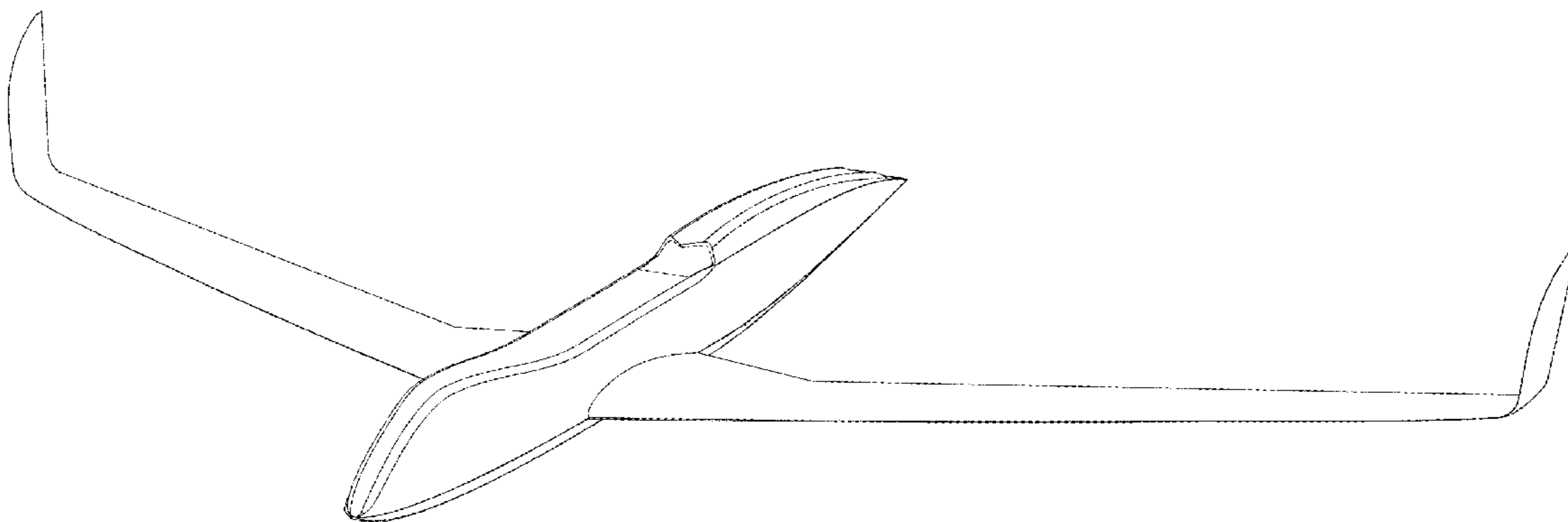
(57) **CLAIM**

The ornamental design for a combined aircraft and scale model, as shown and described.

DESCRIPTION

FIG. 1 is a front side perspective view of a combined aircraft and scale model showing our design;
FIG. 2 is a rear side perspective view thereof;
FIG. 3 is a front view thereof;
FIG. 4 is a right side view thereof, a left side view not being shown as it is a mirror image of the right side view;
FIG. 5 is a top plan view thereof; and,
FIG. 6 is a bottom plan view thereof.

1 Claim, 6 Drawing Sheets



(56)

References Cited

U.S. PATENT DOCUMENTS

2014/0332620 A1* 11/2014 Earon B64C 39/024
244/13
2015/0336663 A1* 11/2015 Paduano B64C 29/0033
244/12.4
2017/0113778 A1* 4/2017 Liu B64C 39/024

* cited by examiner

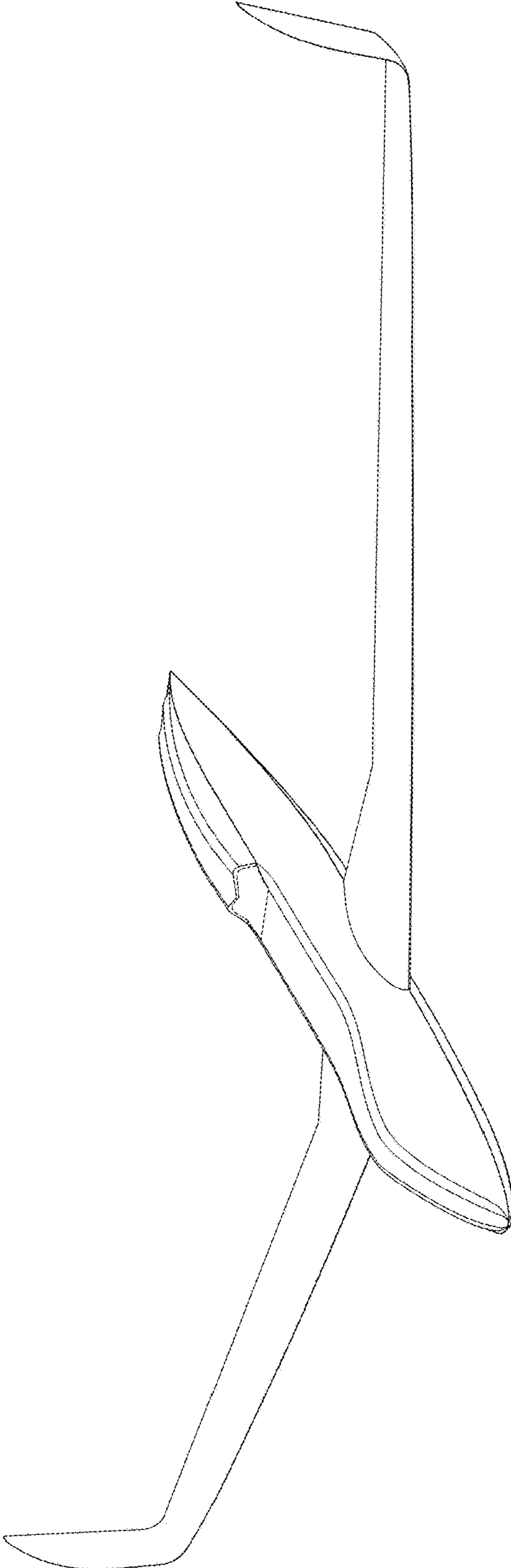


FIG. 1

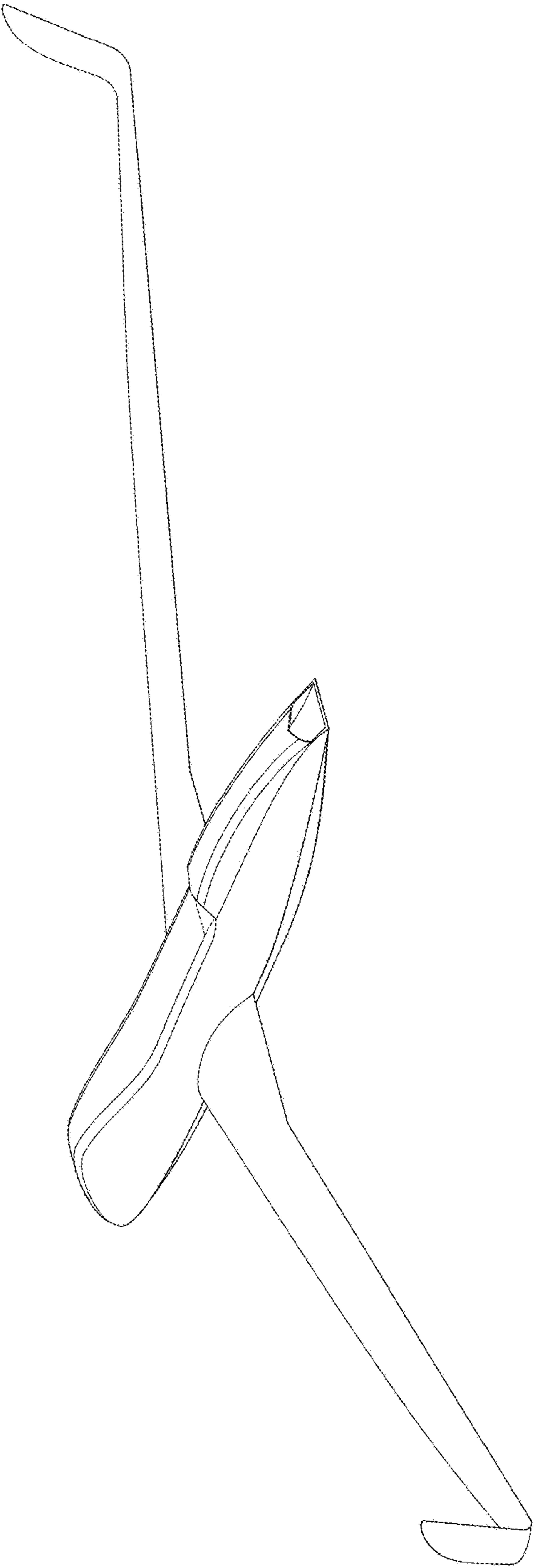


FIG. 2

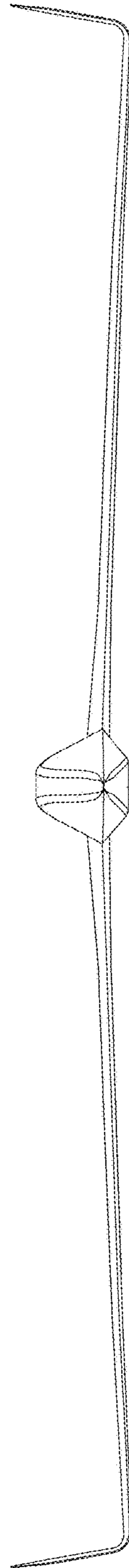


FIG. 3

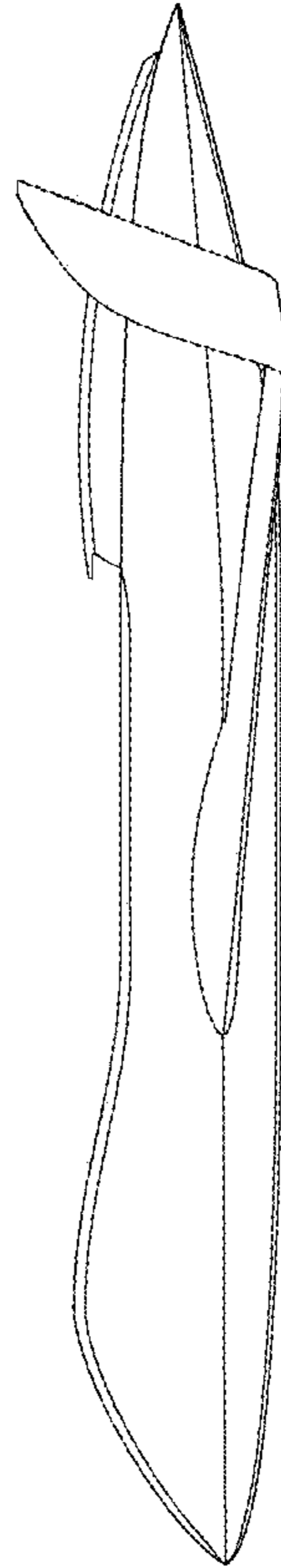


FIG. 4

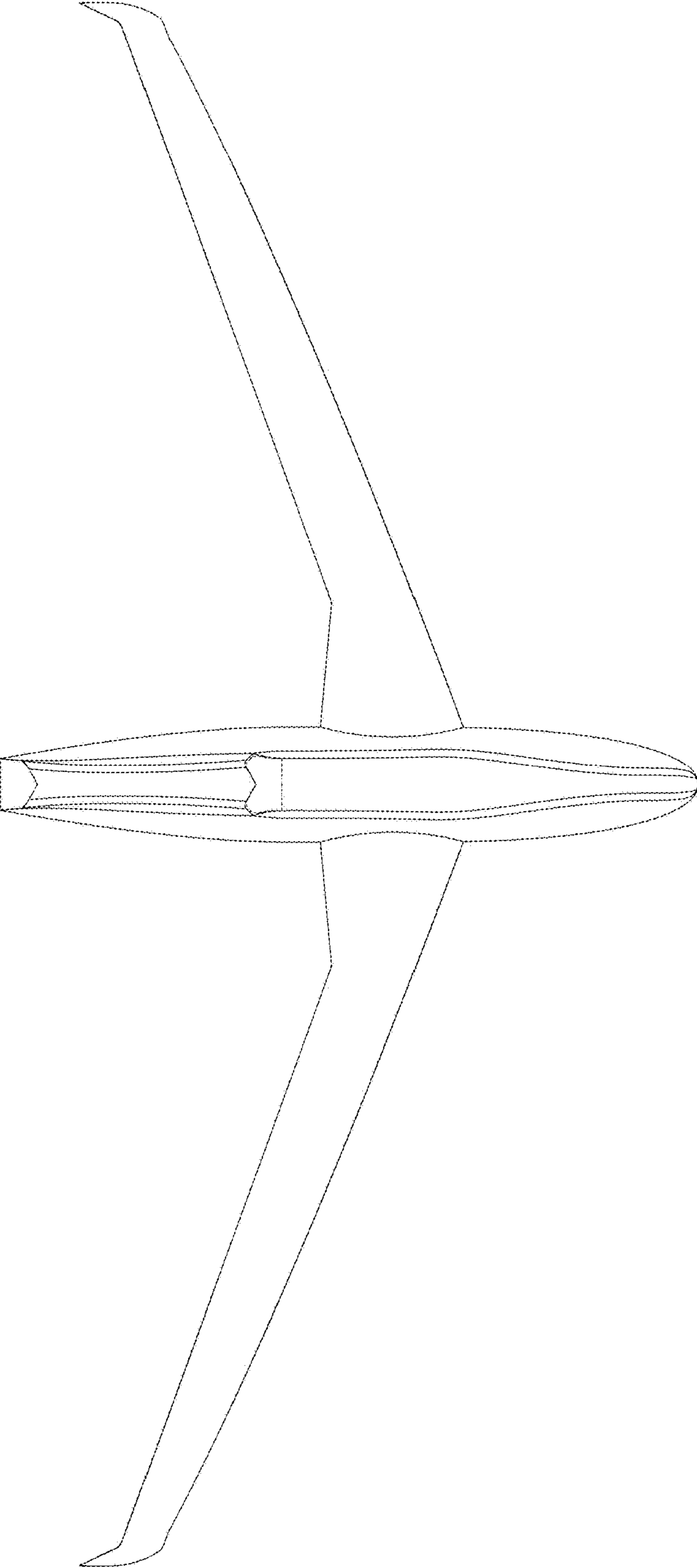


FIG. 5

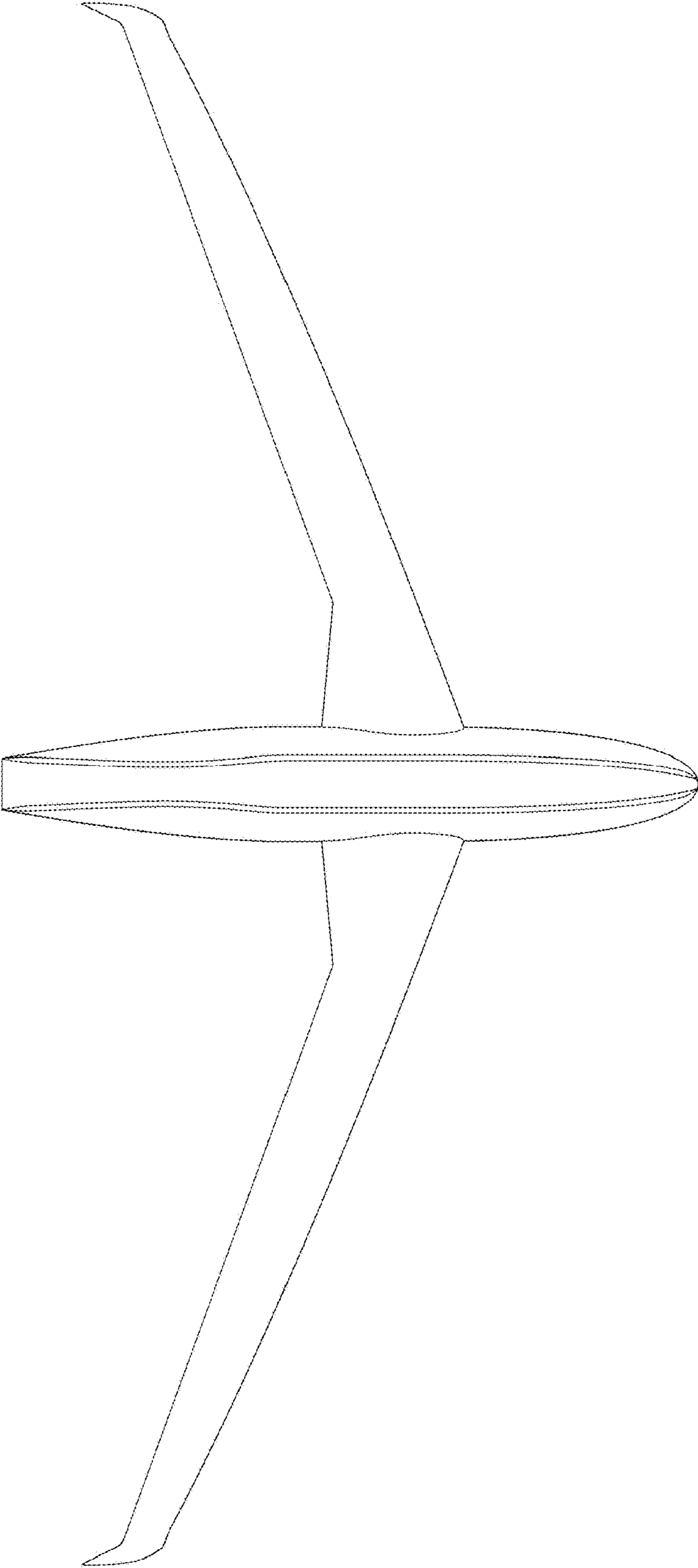


FIG. 6

UNITED STATES PATENT AND TRADEMARK OFFICE
CERTIFICATE OF CORRECTION

PATENT NO. : D859,280 S
APPLICATION NO. : 29/568310
DATED : September 10, 2019
INVENTOR(S) : Aurelio Calcedonio Boscarino

Page 1 of 1

It is certified that error appears in the above-identified patent and that said Letters Patent is hereby corrected as shown below:

On the Title Page

(72) Inventors: The last inventor's name should read --Riccardo Bargetto,-- rather than "Riccardo Bagetto,"

Signed and Sealed this
Twenty-seventh Day of April, 2021



Drew Hirshfeld
*Performing the Functions and Duties of the
Under Secretary of Commerce for Intellectual Property and
Director of the United States Patent and Trademark Office*