



US00D859275S

(12) **United States Design Patent**
Valencia Pollex

(10) **Patent No.:** **US D859,275 S**

(45) **Date of Patent:** **** Sep. 10, 2019**

(54) **VEHICLE WHEEL RIM**

(71) Applicant: **AUDI AG**, Ingolstadt (DE)

(72) Inventor: **Andreas Valencia Pollex**, Ingolstadt (DE)

(73) Assignee: **AUDI AG**, Ingolstadt (DE)

(**) Term: **15 Years**

(21) Appl. No.: **29/655,130**

(22) Filed: **Jun. 29, 2018**

(30) **Foreign Application Priority Data**

Feb. 16, 2018 (EM) 004 710 804

(51) **LOC (12) Cl.** **12-16**

(52) **U.S. Cl.**
USPC **D12/211**

(58) **Field of Classification Search**
USPC D12/204–213
CPC B60B 7/00; B60B 7/02; B60B 7/04; B60B 7/01; B60B 7/06; B60B 3/02; B60B 3/04; B60B 3/06; B60B 3/10; B60B 1/00; B60B 1/08; B60B 1/10; B60B 1/12
See application file for complete search history.

(56) **References Cited**

U.S. PATENT DOCUMENTS

D731,390 S *	6/2015	Kobayashi	D12/211
D749,487 S *	2/2016	Mahoney	D12/211
D769,170 S *	10/2016	Johnson	D12/211
D791,054 S *	7/2017	Valencia Pollex	D12/211
D845,863 S *	4/2019	Chung	D12/211

* cited by examiner

Primary Examiner — Stacia A Cadmus

(74) *Attorney, Agent, or Firm* — Lucas & Mercanti, LLP; Klaus P. Stoffel

(57) **CLAIM**

The ornamental design for a vehicle wheel rim, as shown and described.

DESCRIPTION

FIG. 1 is a front view of the vehicle wheel rim of the present invention; and,

FIG. 2 is a front, side perspective view thereof.

1 Claim, 2 Drawing Sheets

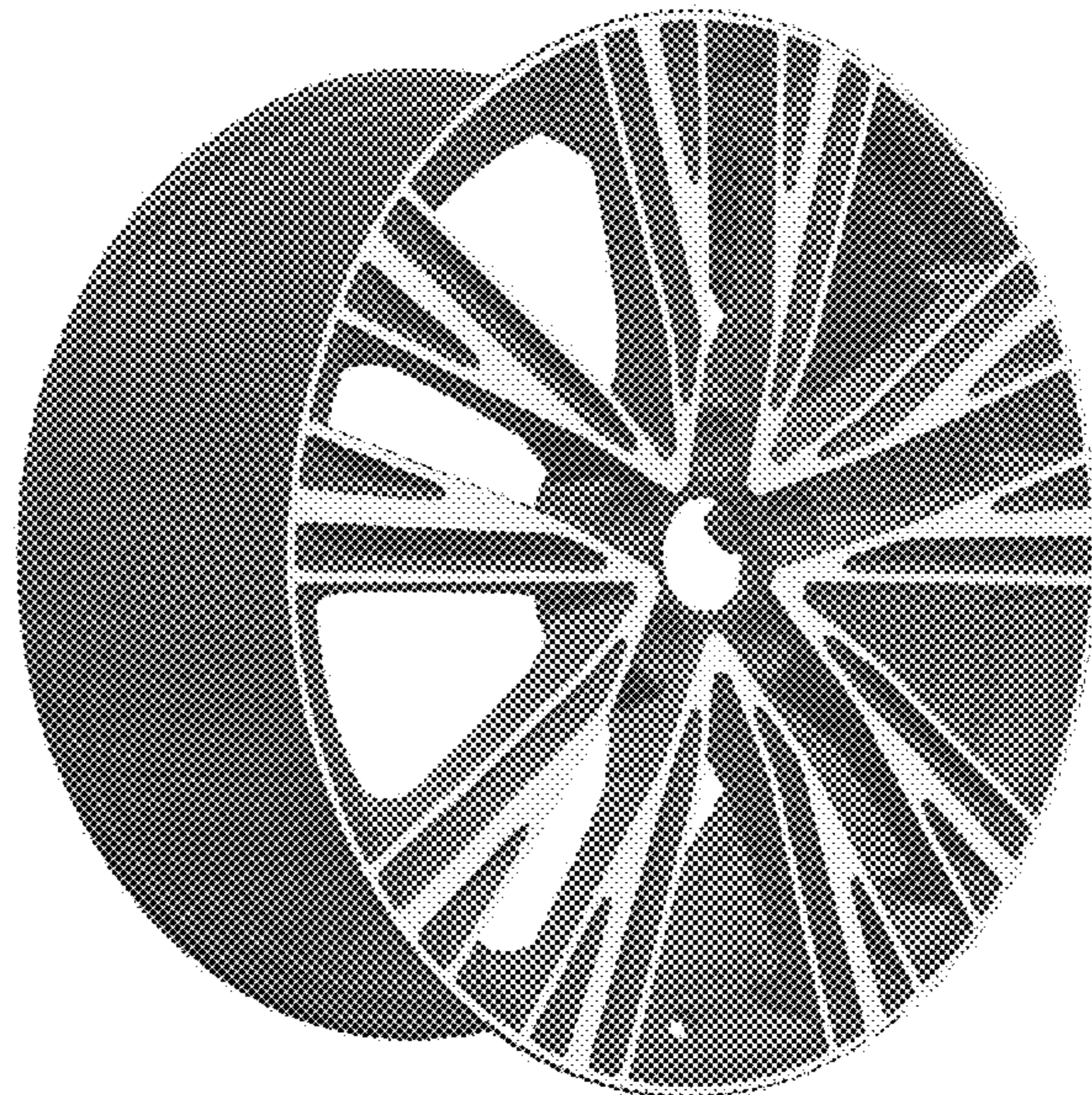
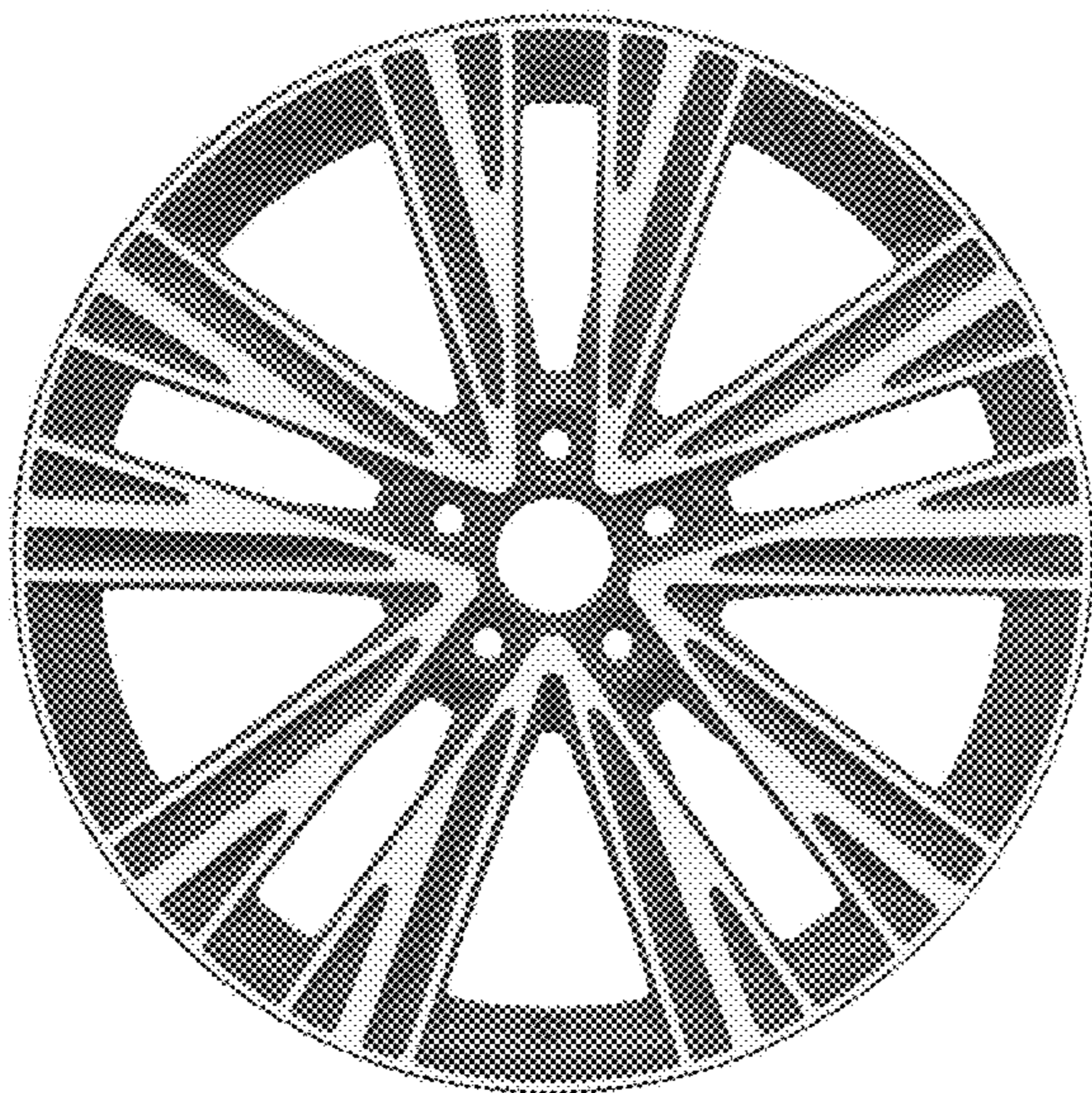




Fig. 1

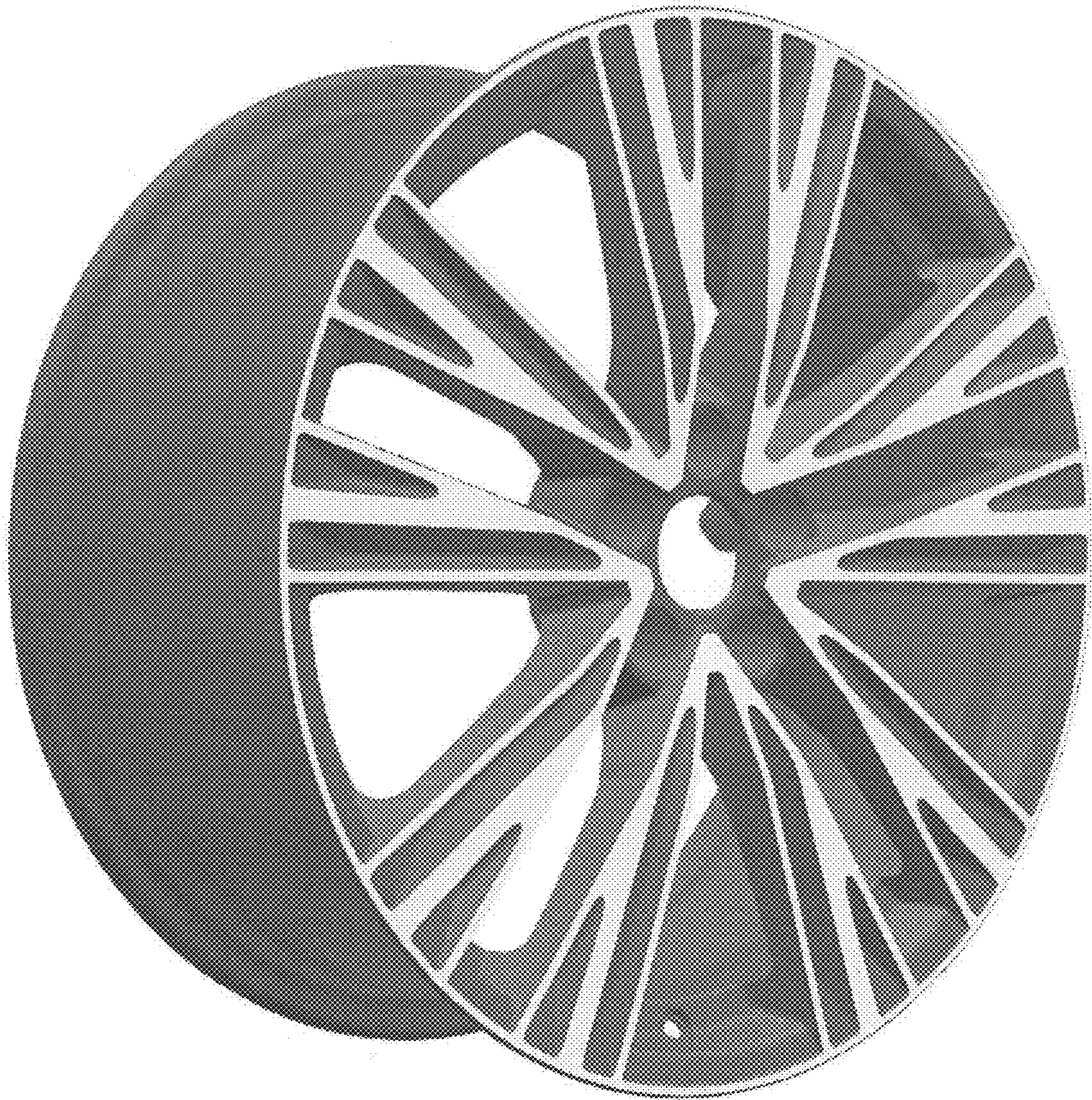


Fig. 2