



US00D859271S

(12) **United States Design Patent**
Hejtmanek

(10) **Patent No.:** **US D859,271 S**

(45) **Date of Patent:** **** Sep. 10, 2019**

(54) **WHEEL OR WHEEL COVER**

(71) Applicant: **Daimler AG**, Stuttgart (DE)

(72) Inventor: **Jaroslav Hejtmanek**, Moetzingen (DE)

(73) Assignee: **Daimler AG**, Stuttgart (DE)

(**) Term: **15 Years**

(21) Appl. No.: **29/629,906**

(22) Filed: **Dec. 18, 2017**

(30) **Foreign Application Priority Data**

Jun. 19, 2017 (WO) DM/096629

(51) **LOC (12) Cl.** **12-16**

(52) **U.S. Cl.**
USPC **D12/211**

(58) **Field of Classification Search**
USPC D12/204–213
CPC B60B 7/00; B60B 7/02; B60B 7/04; B60B
7/01; B60B 7/06; B60B 3/02; B60B 3/04;
B60B 3/06; B60B 3/10; B60B 1/00;
B60B 1/08; B60B 1/10; B60B 1/12
See application file for complete search history.

(56) **References Cited**

U.S. PATENT DOCUMENTS

D337,563 S *	7/1993	Boselli	D12/209
D360,179 S *	7/1995	Fuller	D12/211
D388,047 S *	12/1997	Pfeiffer	D12/211
D408,346 S *	4/1999	Goplen	D12/211
D409,968 S *	5/1999	Goplen	D12/211
D450,030 S *	11/2001	Pfeiffer	D12/211
D466,852 S *	12/2002	Pfeiffer	D12/211
D476,284 S *	6/2003	Pfeiffer	D12/211
D487,569 S *	3/2004	Laengerer	D12/211
D506,173 S *	6/2005	Pfeiffer	D12/211
D507,224 S *	7/2005	Pfeiffer	D12/211

D512,360 S *	12/2005	Boyer	D12/211
D522,951 S *	6/2006	Pfeiffer	D12/211
D523,387 S *	6/2006	Pfeiffer	D12/211
D527,326 S *	8/2006	Pfeiffer	D12/209
D527,328 S *	8/2006	Pfeiffer	D12/211
D529,854 S *	10/2006	Scheu	D12/211
D536,294 S *	2/2007	Laengerer	D12/211
D538,729 S *	3/2007	Pfeiffer	D12/209
D539,723 S *	4/2007	Musser	D12/211
D546,747 S *	7/2007	Pfeiffer	D12/211
D554,573 S *	11/2007	Pfeiffer	D12/211
D587,179 S *	2/2009	Pfeiffer	D12/209
D653,598 S *	2/2012	Zhao	D12/211
D671,062 S *	11/2012	Dilber	D12/211
D671,483 S *	11/2012	Chung	D12/211
D697,015 S *	1/2014	Nemeth	D12/211
D736,134 S *	8/2015	Platto	D12/211
D768,554 S *	10/2016	Rueckheim	D12/211
D799,398 S *	10/2017	Liffick	D12/211
D803,129 S *	11/2017	McMath	D12/209
D832,761 S *	11/2018	Johnson	D12/209
D834,483 S *	11/2018	Johnson	D12/209
D835,021 S *	12/2018	Sempek	D12/209
D836,525 S *	12/2018	Sempek	D12/211

* cited by examiner

Primary Examiner — Stacia A Cadmus

(74) *Attorney, Agent, or Firm* — Crowell & Moring LLP

(57) **CLAIM**

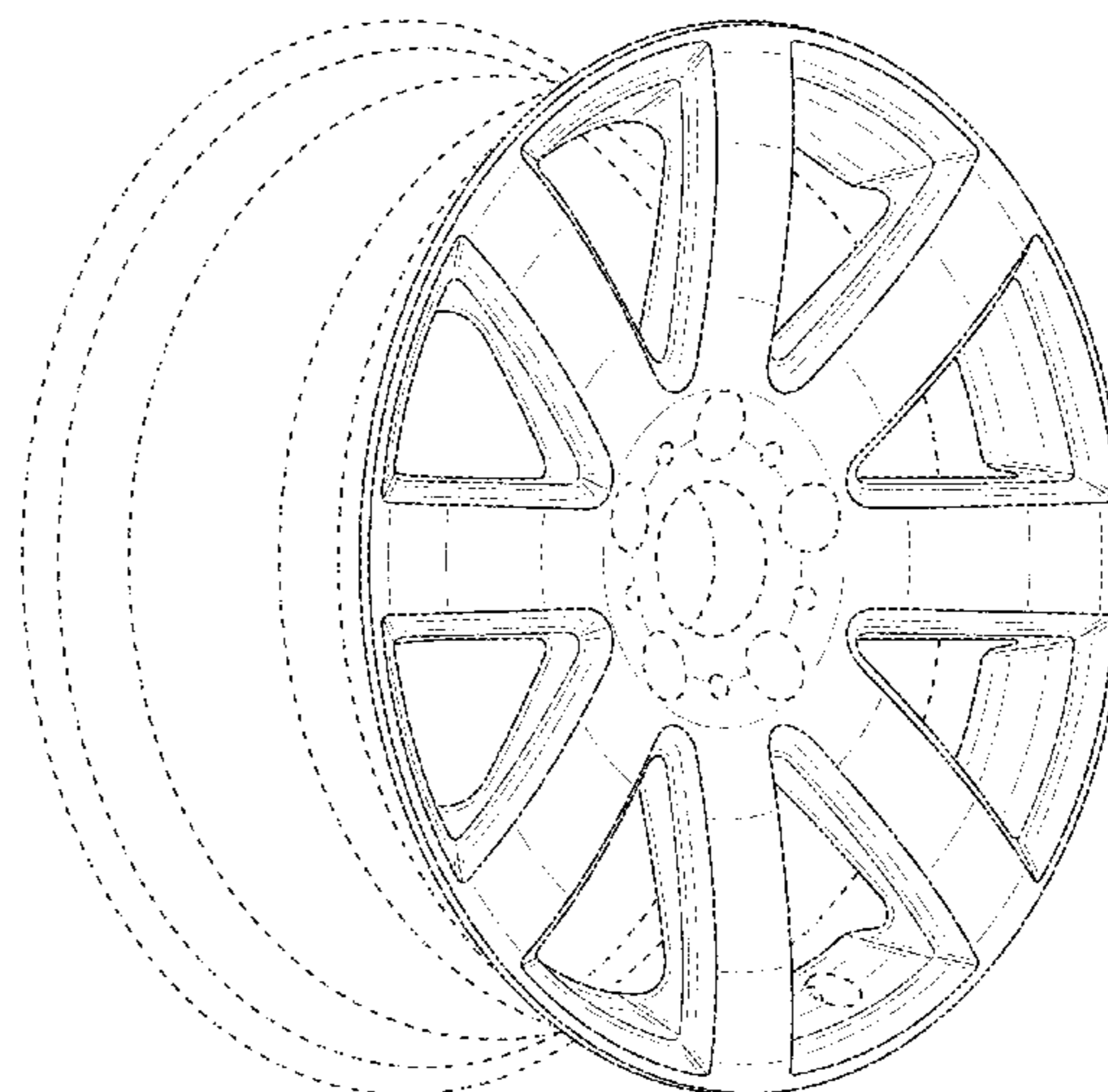
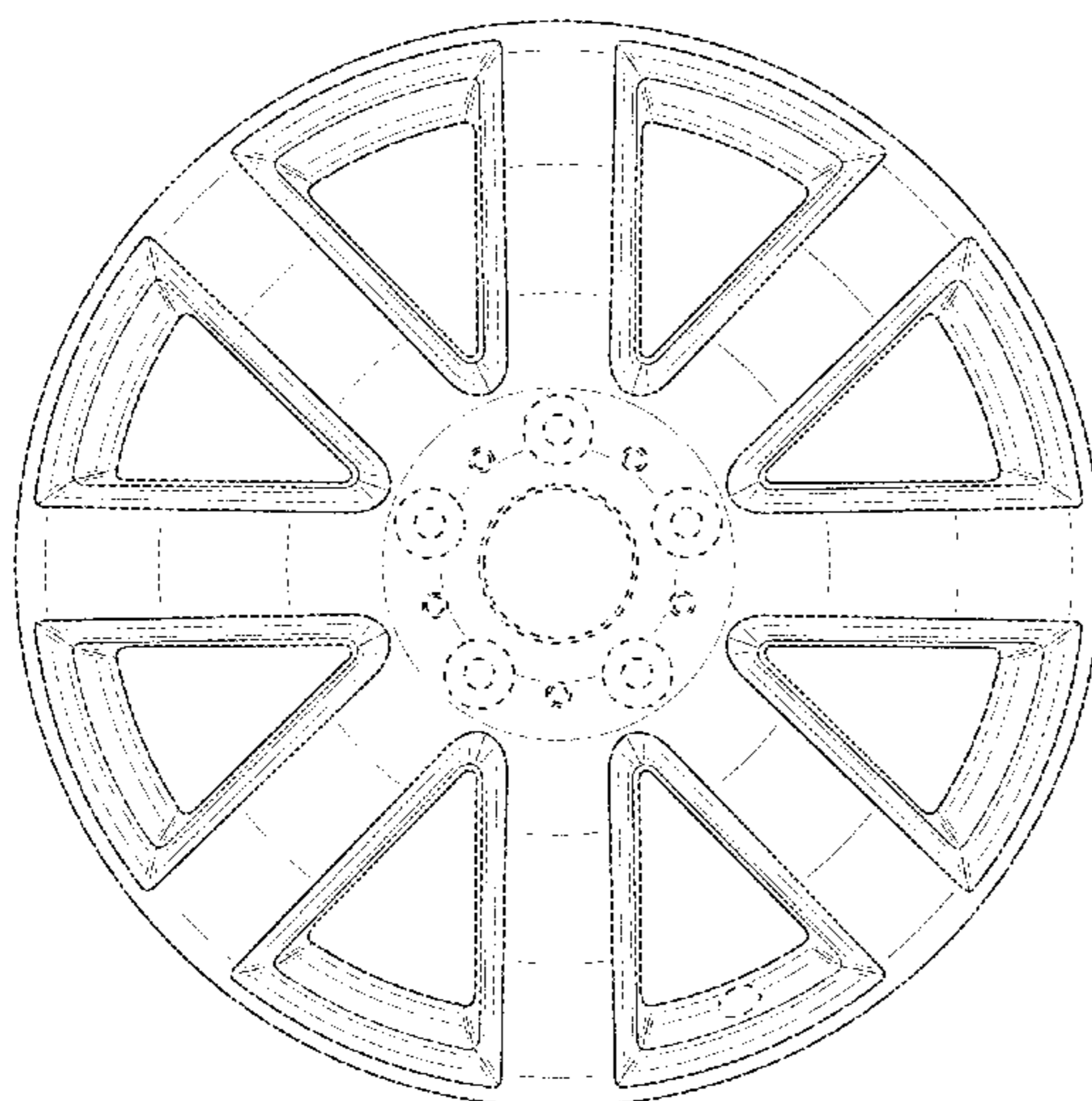
The ornamental design for a wheel or wheel cover, as shown and described.

DESCRIPTION

FIG. 1 is a front view of a first embodiment of a wheel or wheel cover according to the design; and, FIG. 2 is a perspective view thereof.

The broken lines in the drawings illustrate environmental subject matter only and form no part of the claimed design. Also enclosed is a set of photographs of an embodiment of the design.

1 Claim, 2 Drawing Sheets



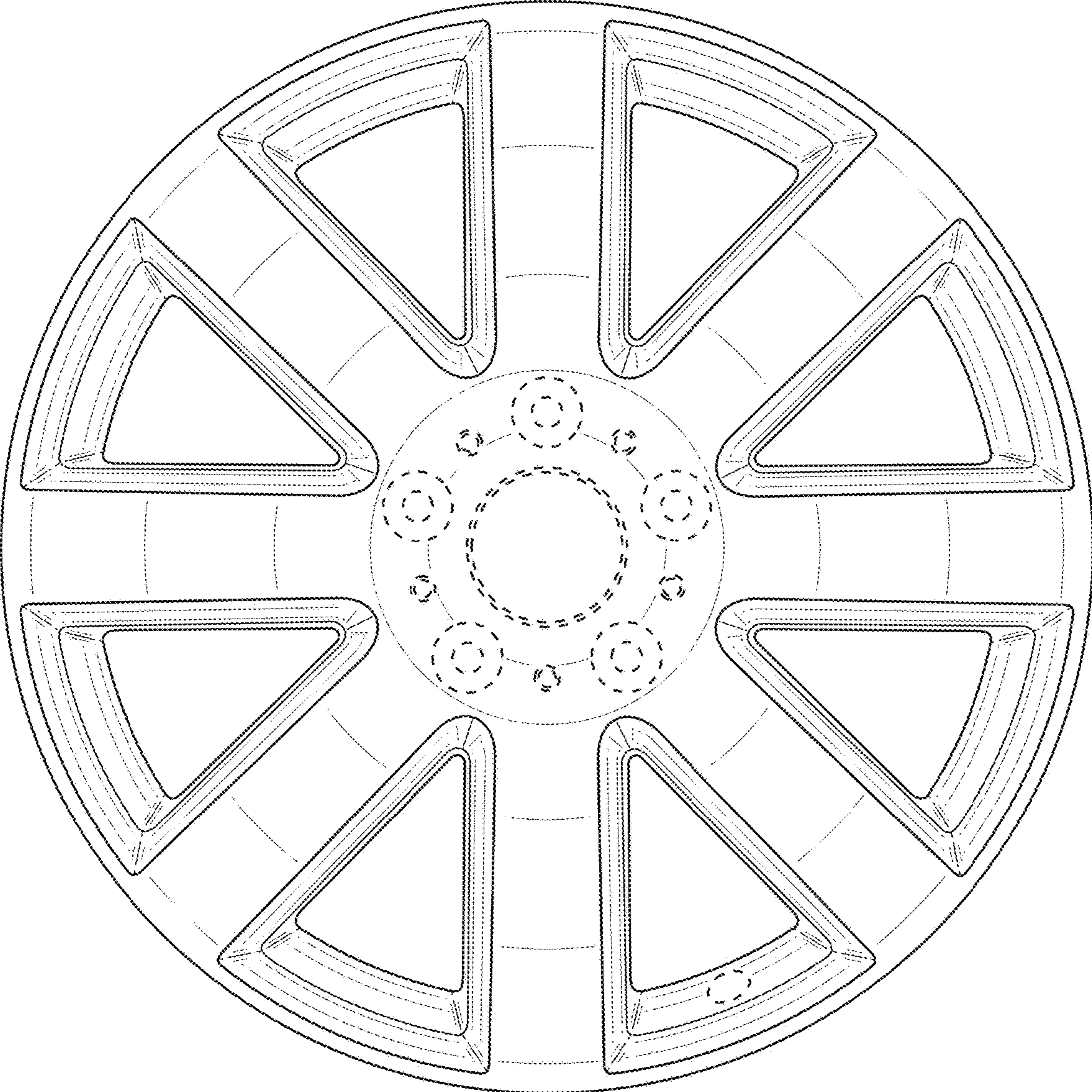


FIG. 1

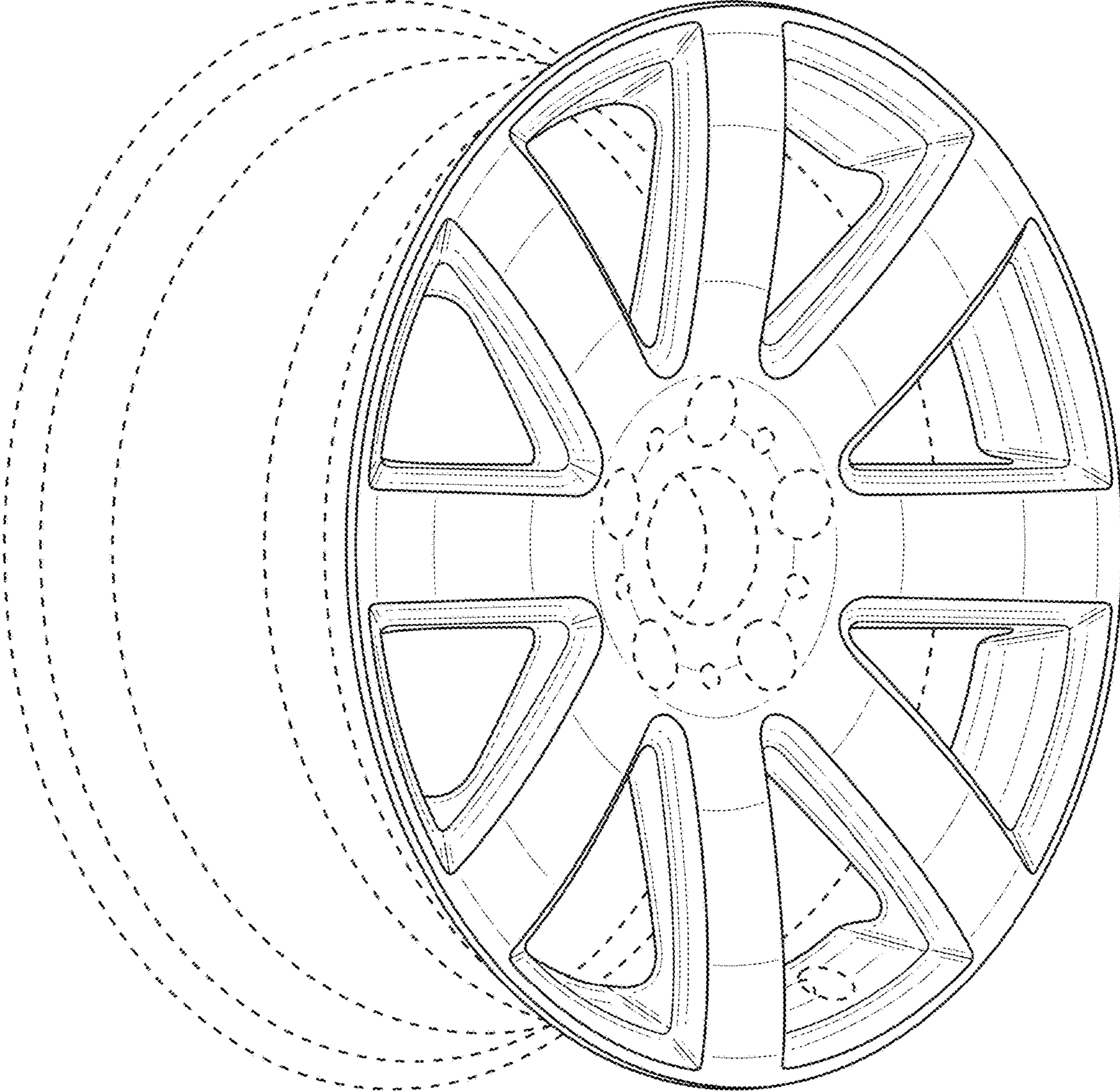


FIG. 2