



US00D859268S

(12) **United States Design Patent** (10) **Patent No.:** **US D859,268 S**
Rosello Visa (45) **Date of Patent:** **** Sep. 10, 2019**

(54) **VEHICLE WHEEL RIM**
(71) Applicant: **AUDI AG**, Ingolstadt (DE)
(72) Inventor: **Albert Rosello Visa**, Ingolstadt (DE)
(73) Assignee: **AUDI AG**, Ingolstadt (DE)
(**) Term: **15 Years**
(21) Appl. No.: **29/661,854**
(22) Filed: **Aug. 31, 2018**
(30) **Foreign Application Priority Data**
May 17, 2018 (EM) 005 270 907
(51) **LOC (12) Cl.** **12-16**
(52) **U.S. Cl.**
USPC **D12/209**
(58) **Field of Classification Search**
USPC D12/204–213
CPC B60B 7/00; B60B 7/02; B60B 7/04; B60B
7/01; B60B 7/06; B60B 3/02; B60B 3/04;
B60B 3/06; B60B 3/10; B60B 1/00;
B60B 1/08; B60B 1/10; B60B 1/12
See application file for complete search history.

(56) **References Cited**
U.S. PATENT DOCUMENTS
D466,065 S * 11/2002 Lee D12/209
D613,227 S * 4/2010 Mueller-Stolz D12/209
D635,077 S * 3/2011 Nordmann D12/209
D639,226 S * 6/2011 Juergens D12/211
D652,361 S * 1/2012 Forschner D12/209
D666,958 S * 9/2012 Suzuki D12/211
D671,479 S * 11/2012 Gonser D12/209
D673,093 S * 12/2012 Platto D12/209
D684,913 S * 6/2013 Chen D12/209
D686,965 S * 7/2013 Pollmann D12/211

D690,642 S * 10/2013 Kito D12/209
D695,187 S * 12/2013 Mielke D12/209
D697,858 S * 1/2014 Kito D12/209
D713,317 S * 9/2014 Akojima D12/211
D726,086 S * 4/2015 Muntada Roura D12/209
D729,138 S * 5/2015 Davidson D12/209
D738,280 S * 9/2015 Hale D12/209
D739,329 S * 9/2015 Watkin D12/211
D746,212 S * 12/2015 Valencia Pollex D12/211
D748,031 S * 1/2016 Miyazawa D12/209
D761,711 S * 7/2016 Wolff D12/209
D769,165 S * 10/2016 Choi D12/209
D769,172 S * 10/2016 Ishii D12/211
D774,434 S * 12/2016 Nakahara D12/209
D778,798 S * 2/2017 Park D12/209
D788,003 S * 5/2017 Conforzi D12/209
D789,270 S * 6/2017 Hodges D12/209
D790,422 S * 6/2017 Hodges D12/209
D791,668 S * 7/2017 Murase D12/209
D792,306 S * 7/2017 Ishigaki D12/209
D823,224 S * 7/2018 Nakamura D12/211
D823,432 S * 7/2018 Oh D23/209
D824,831 S * 8/2018 Oh D12/209
D826,825 S * 8/2018 Kawaguchi D12/209
D826,826 S * 8/2018 Back D12/209
D828,269 S * 9/2018 Kikuchi D12/209
D835,561 S * 12/2018 Hayashi D12/209
D840,321 S * 2/2019 Kikuchi D12/211

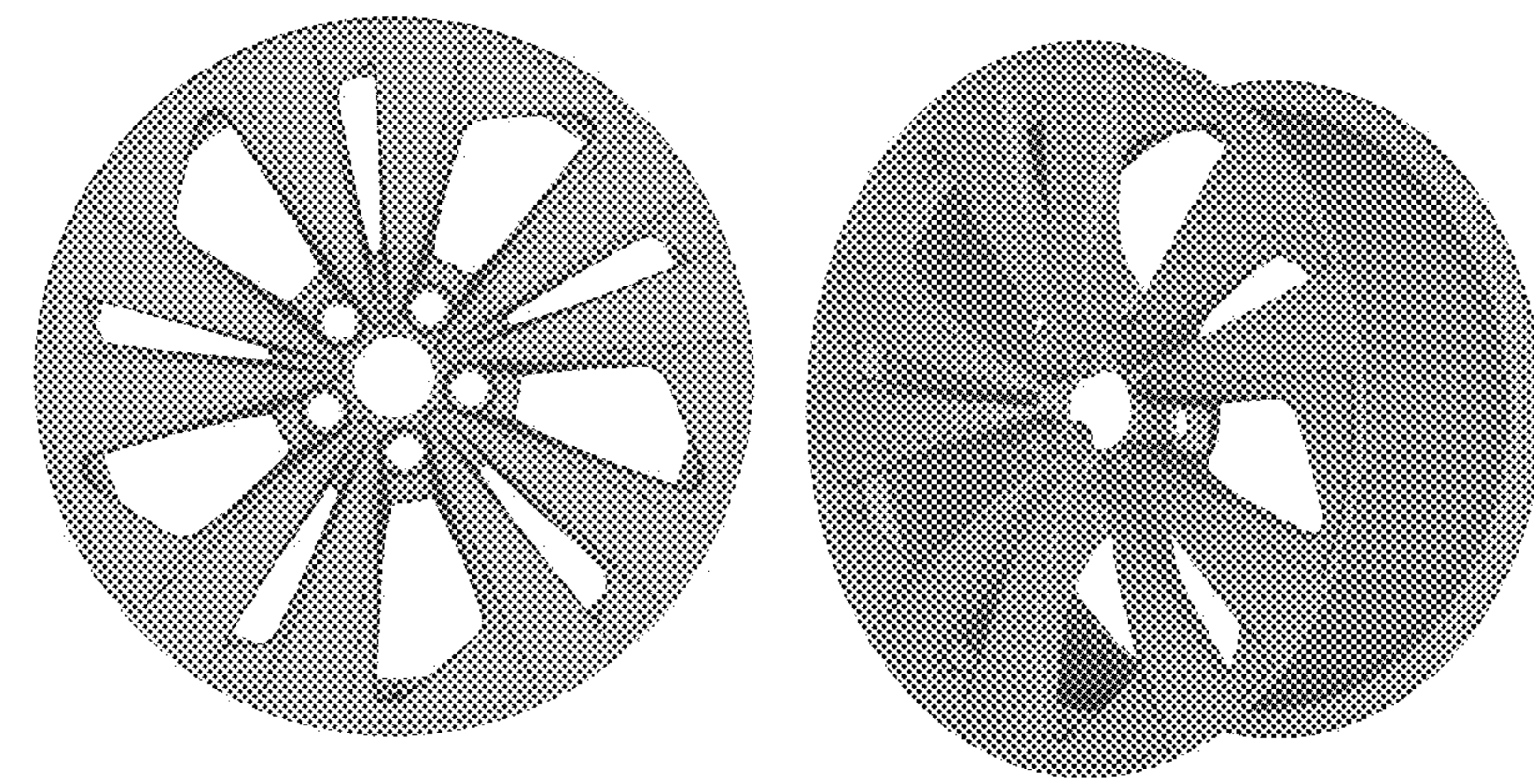
(Continued)

Primary Examiner — Stacia A Cadmus
(74) *Attorney, Agent, or Firm* — Lucas & Mercanti, LLP;
Klaus P. Stoffel

(57) **CLAIM**
The ornamental design for a vehicle wheel rim, as shown
and described.

DESCRIPTION
FIG. 1 is a front view of the vehicle wheel rim of the present
invention; and,
FIG. 2 is a front, side perspective view thereof.

1 Claim, 2 Drawing Sheets



(56)

References Cited

U.S. PATENT DOCUMENTS

D840,897 S *	2/2019	Aiba	D12/209
D849,643 S *	5/2019	Chan	D12/209
D849,649 S *	5/2019	Greuer	D12/209
D850,347 S *	6/2019	Yoneyama	D12/209

* cited by examiner

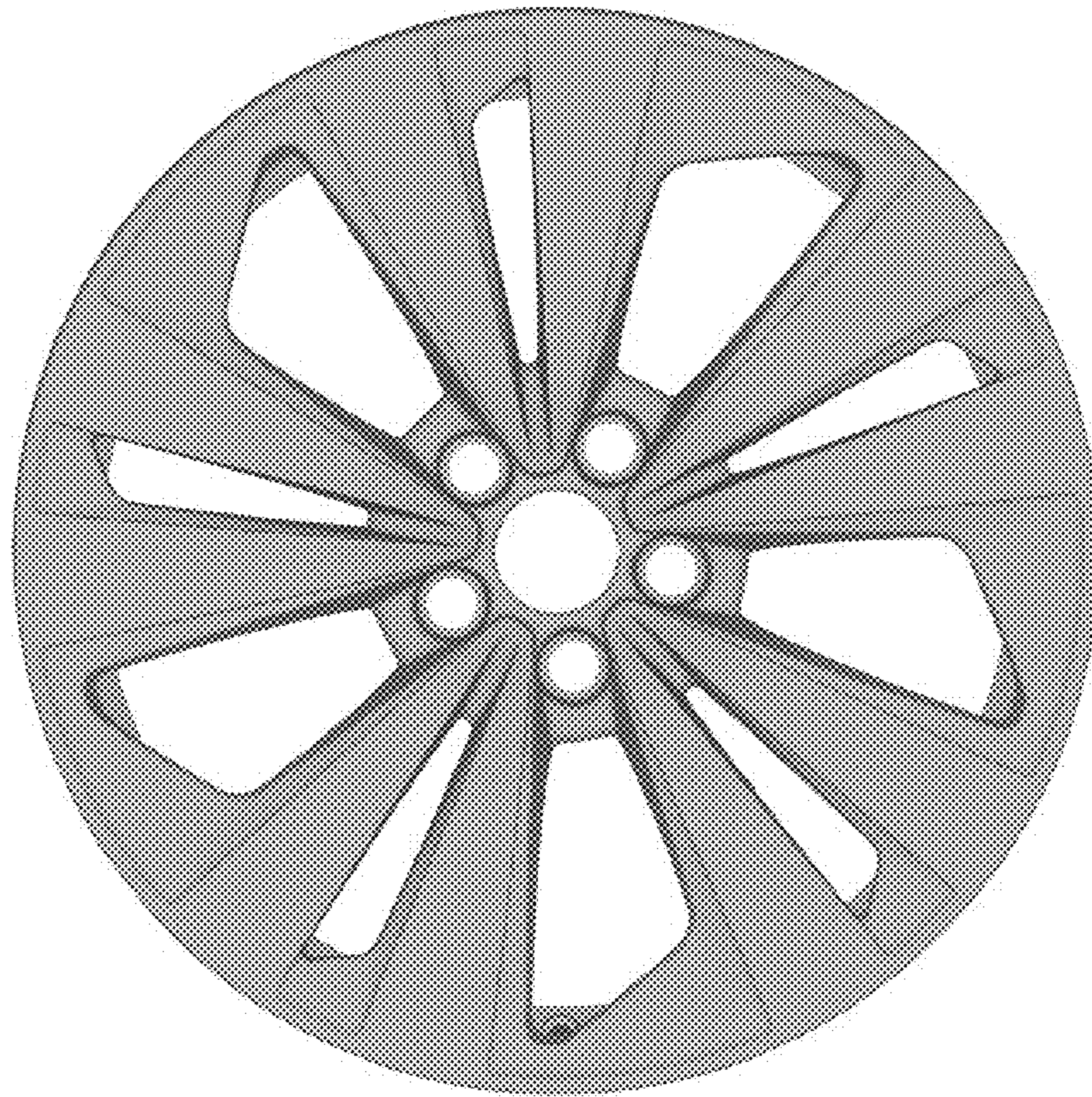


Fig. 1

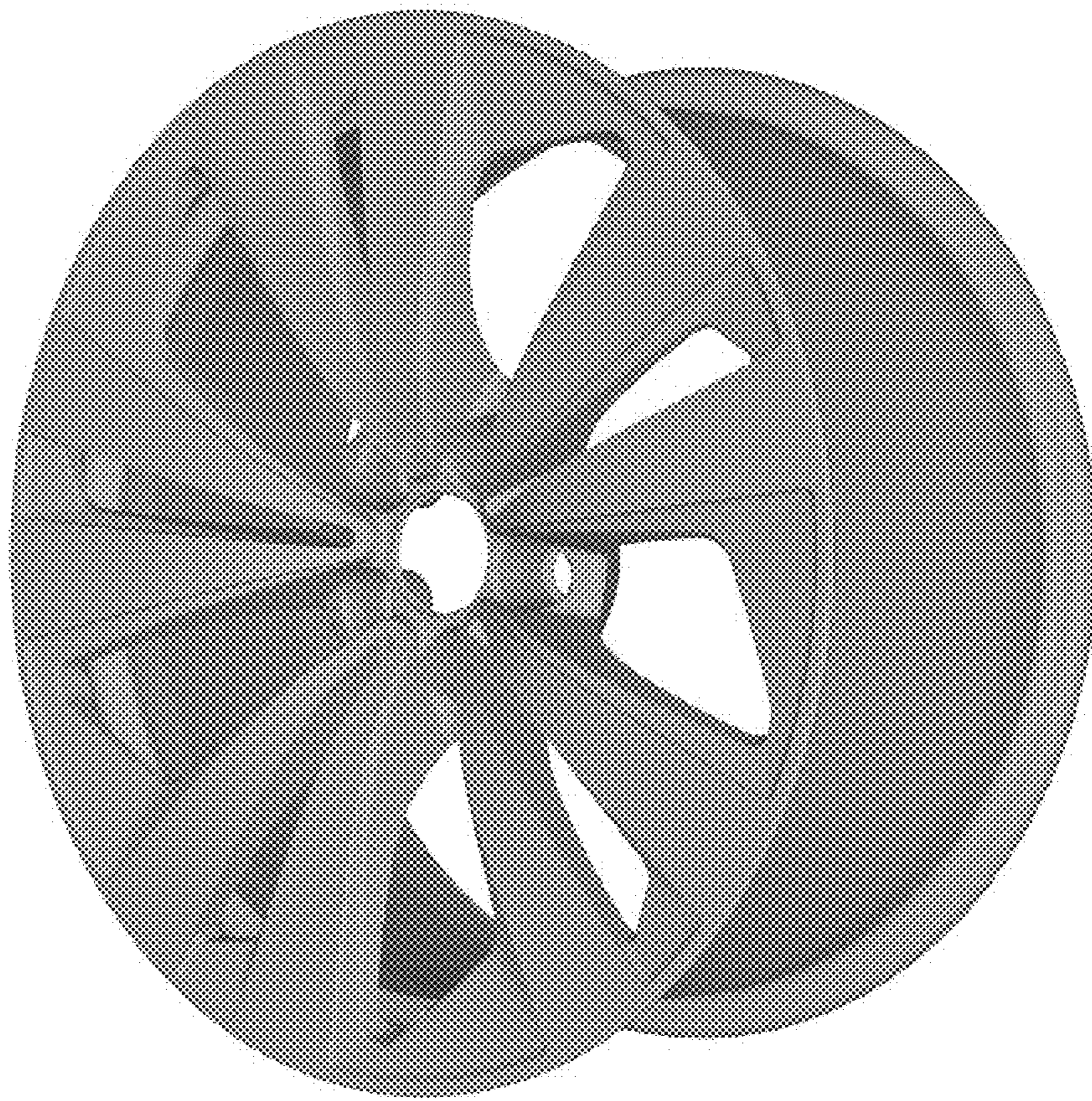


Fig. 2