



US00D859264S

(12) **United States Design Patent**
Guidry

(10) **Patent No.:** **US D859,264 S**

(45) **Date of Patent:** **** Sep. 10, 2019**

(54) **VEHICLE WHEEL**

(71) Applicant: **QUARSA, LLC**, Chino, CA (US)

(72) Inventor: **Jason Guidry**, Los Angeles, CA (US)

(73) Assignee: **QUARSA, LLC**, Chino, CA (US)

(**) Term: **15 Years**

(21) Appl. No.: **29/650,583**

(22) Filed: **Jun. 7, 2018**

(51) **LOC (12) Cl.** **12-16**

(52) **U.S. Cl.**
USPC **D12/209**

(58) **Field of Classification Search**
USPC D12/204–213
CPC B60B 7/00; B60B 7/02; B60B 7/04; B60B
7/01; B60B 7/06; B60B 3/02; B60B 3/04;
B60B 3/06; B60B 3/10; B60B 1/00;
B60B 1/08; B60B 1/10; B60B 1/12
See application file for complete search history.

(56) **References Cited**

U.S. PATENT DOCUMENTS

D572,186 S	*	7/2008	Viandante	D12/211
D714,202 S	*	9/2014	Kim	D12/209
D715,211 S	*	10/2014	Gotschke	D12/204
D723,990 S	*	3/2015	Muntada Roura	D12/209
D723,996 S	*	3/2015	Zhao	D12/211
D756,282 S	*	5/2016	Zhao	D12/209
D760,142 S	*	6/2016	Chu	D12/211
D764,370 S	*	8/2016	Chung	D12/209

D791,055 S	*	7/2017	Valencia Pollex	D12/211
D793,938 S	*	8/2017	Yang	D12/209
D800,629 S	*	10/2017	Tran	D12/209
D825,423 S	*	8/2018	Henderson	D12/209
D826,819 S	*	8/2018	Chung	D12/209
D830,267 S	*	10/2018	Chung	D12/209
D830,272 S	*	10/2018	Aslam	D12/213
D830,941 S	*	10/2018	Hamilton	D12/211
D833,361 S	*	11/2018	Han	D12/209
D833,945 S	*	11/2018	Henderson	D12/209
D834,490 S	*	11/2018	Henderson	D12/213
D835,560 S	*	12/2018	Hilton	D12/209
D840,895 S	*	2/2019	Luo	D12/209
D842,192 S	*	3/2019	Han	D12/209
D842,200 S	*	3/2019	Han	D12/209
D842,792 S	*	3/2019	Han	D12/209
D843,909 S	*	3/2019	Gregory	D12/209

* cited by examiner

Primary Examiner — Stacia A Cadmus

(74) *Attorney, Agent, or Firm* — Snell & Wilmer LLP

(57) **CLAIM**

The ornamental design for a vehicle wheel, as shown and described.

DESCRIPTION

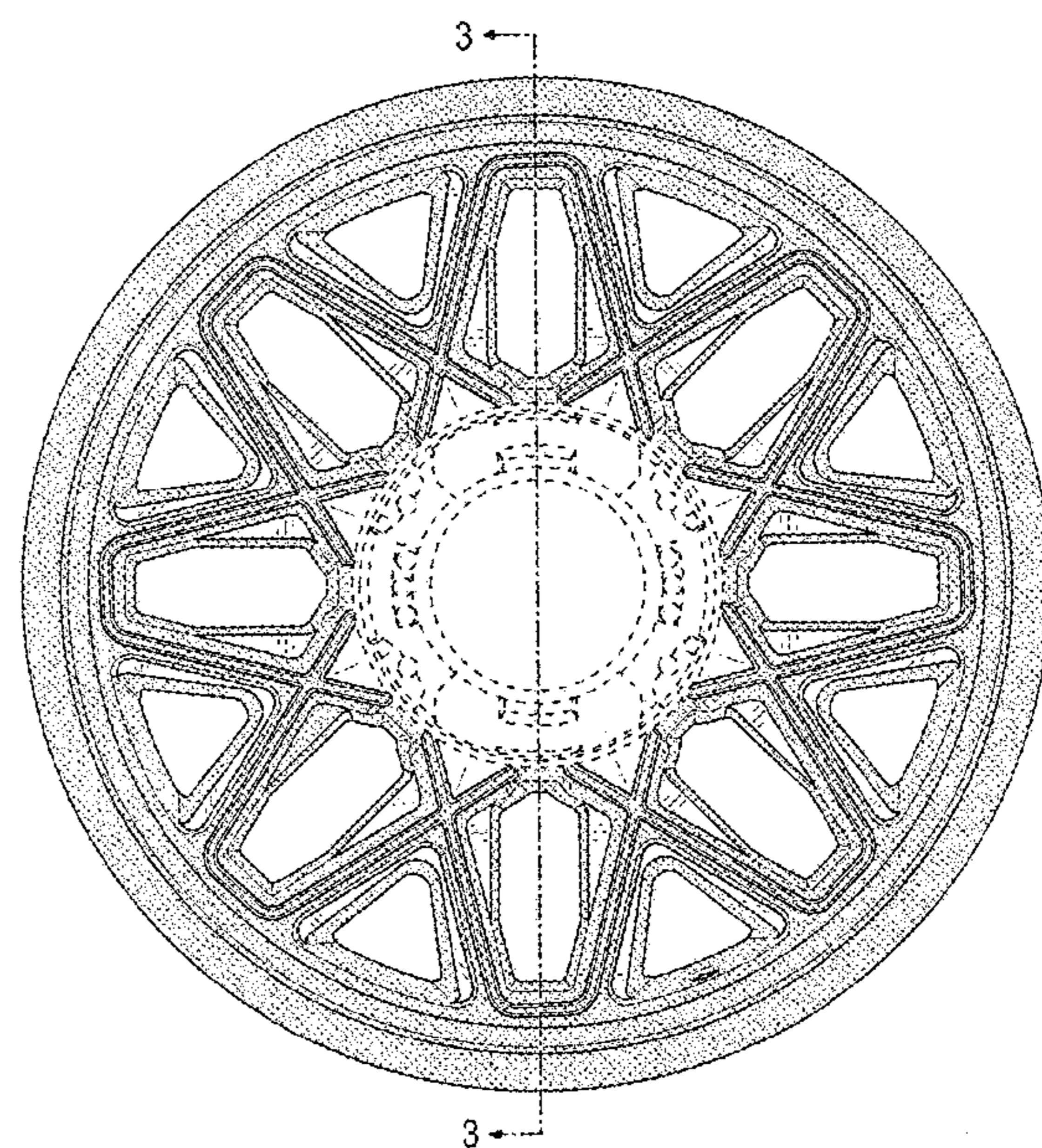
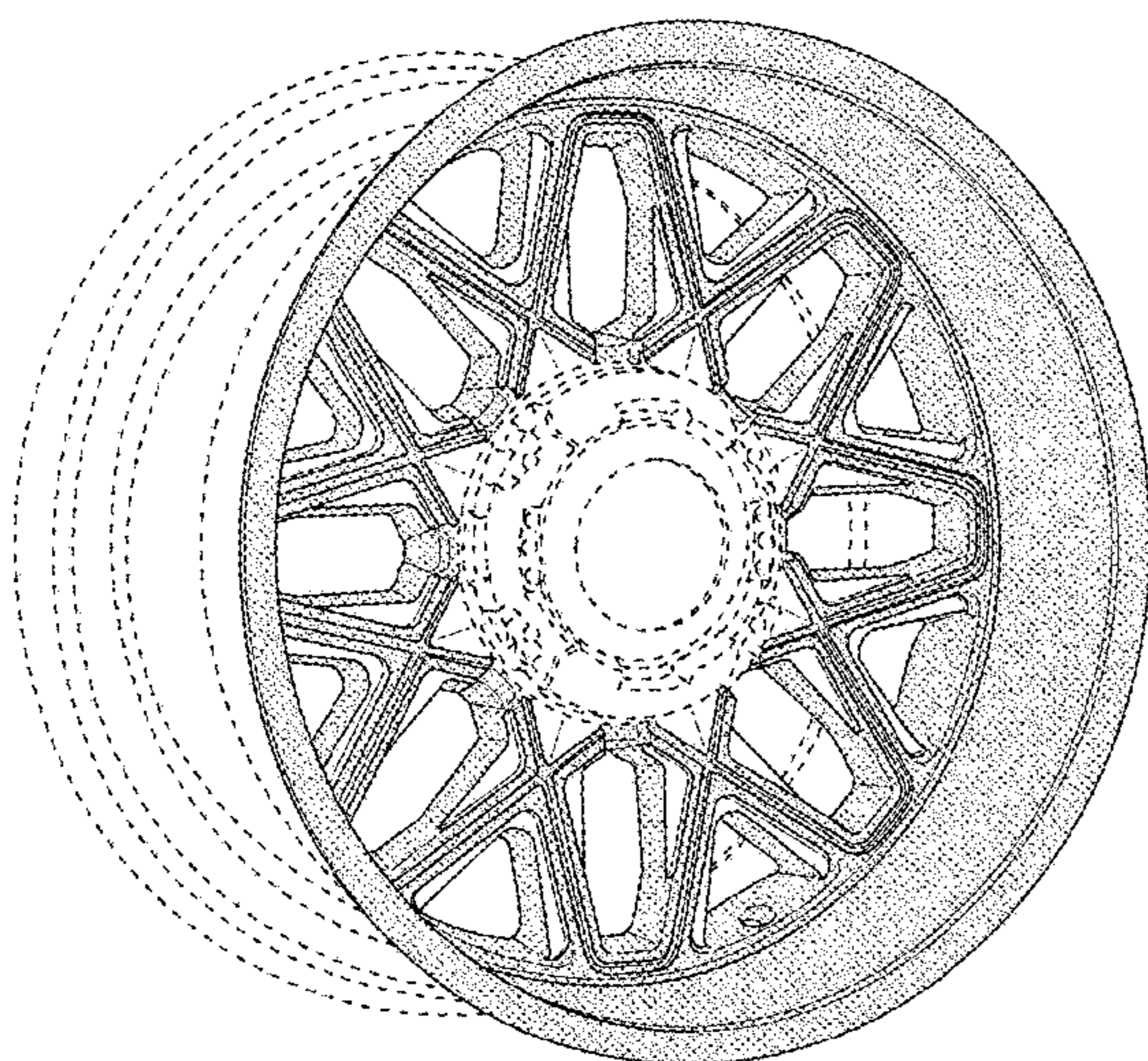
FIG. 1 is a perspective view of the vehicle wheel showing my new design;

FIG. 2 is a front view of the vehicle wheel; and,

FIG. 3 is a cross-sectional view taken along the line 3-3 of FIG. 2.

The broken lines are included for the purpose of illustrating environment and forms no part of the claimed design.

1 Claim, 3 Drawing Sheets



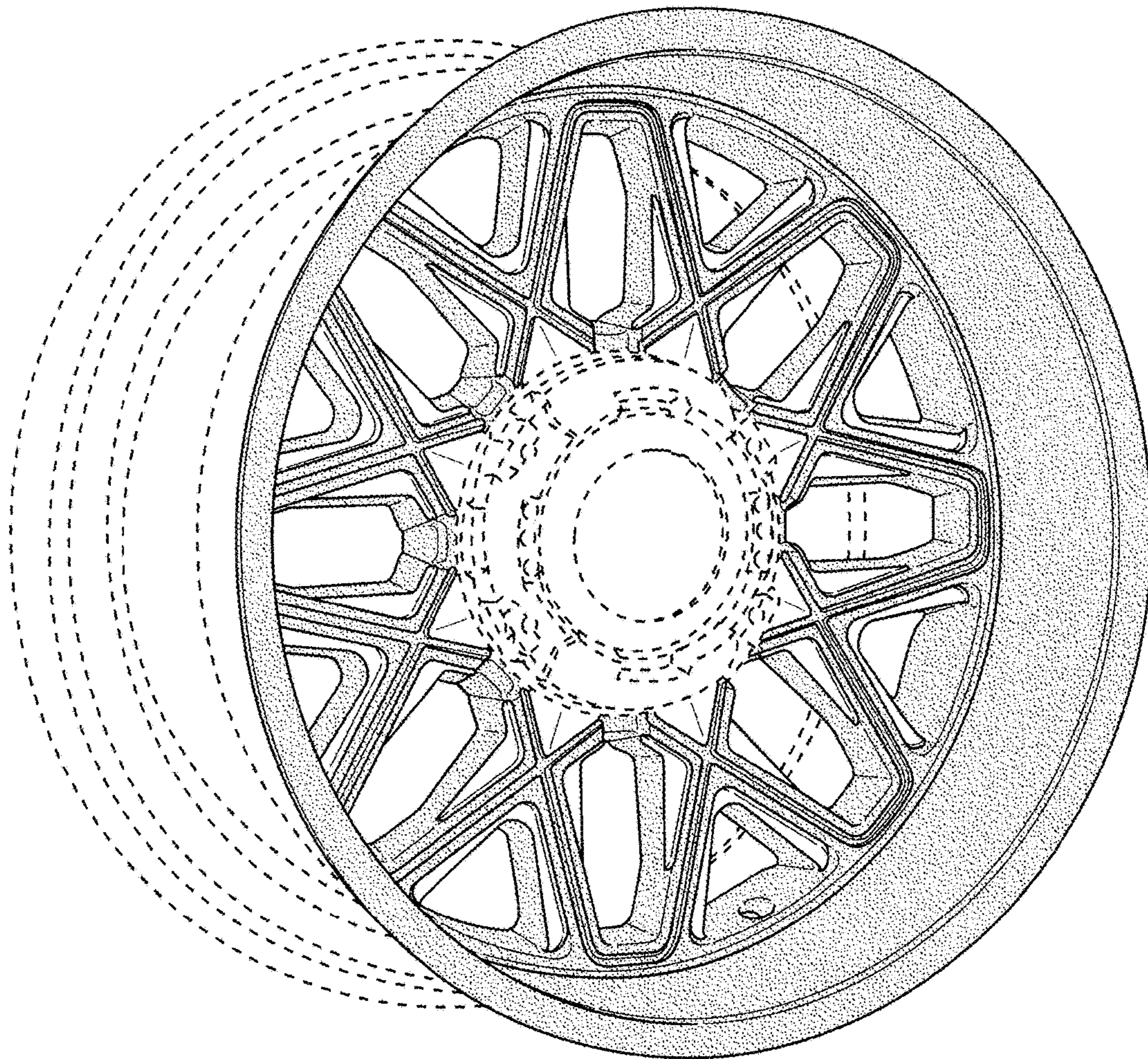


FIG. 1

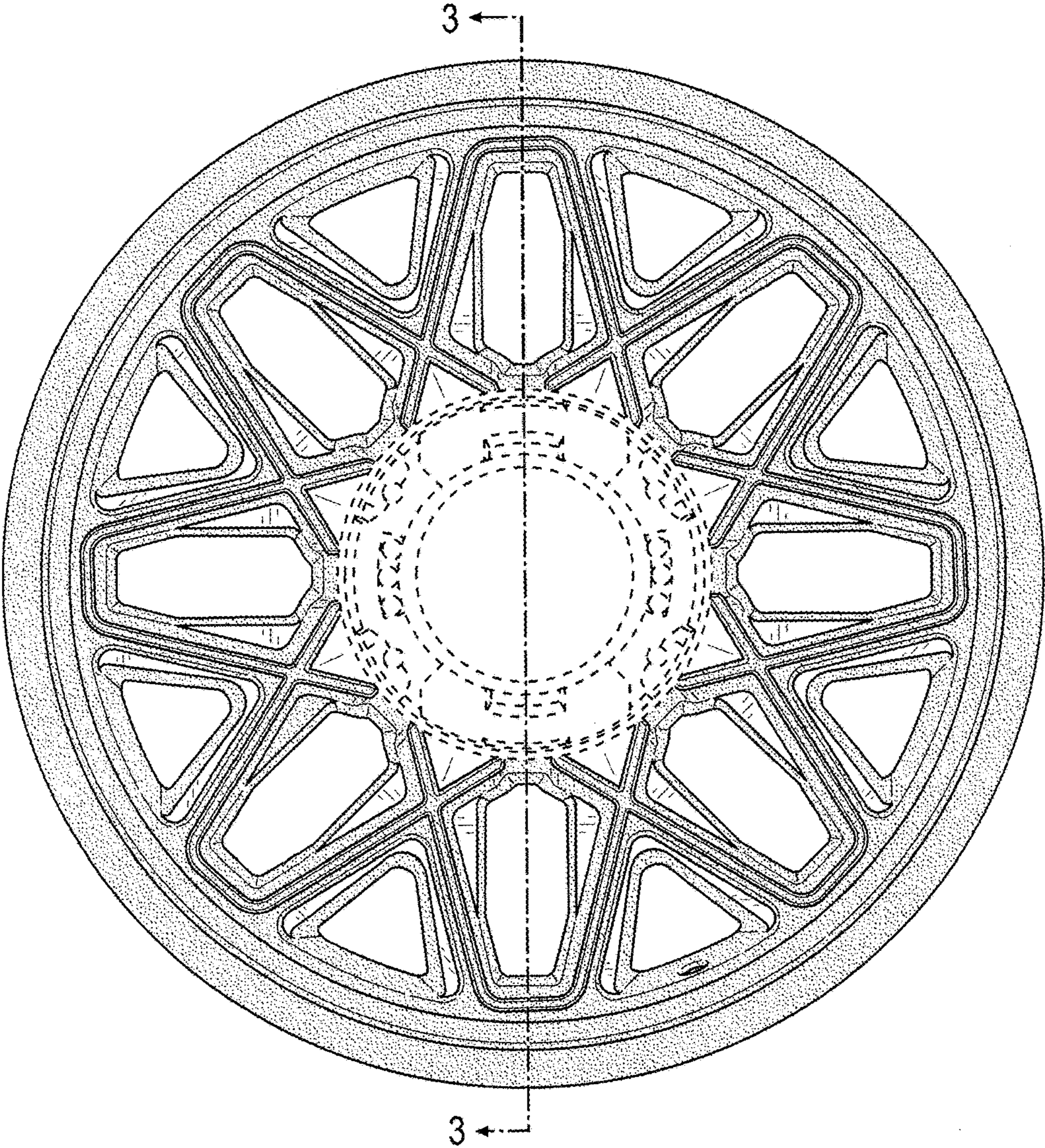


FIG. 2

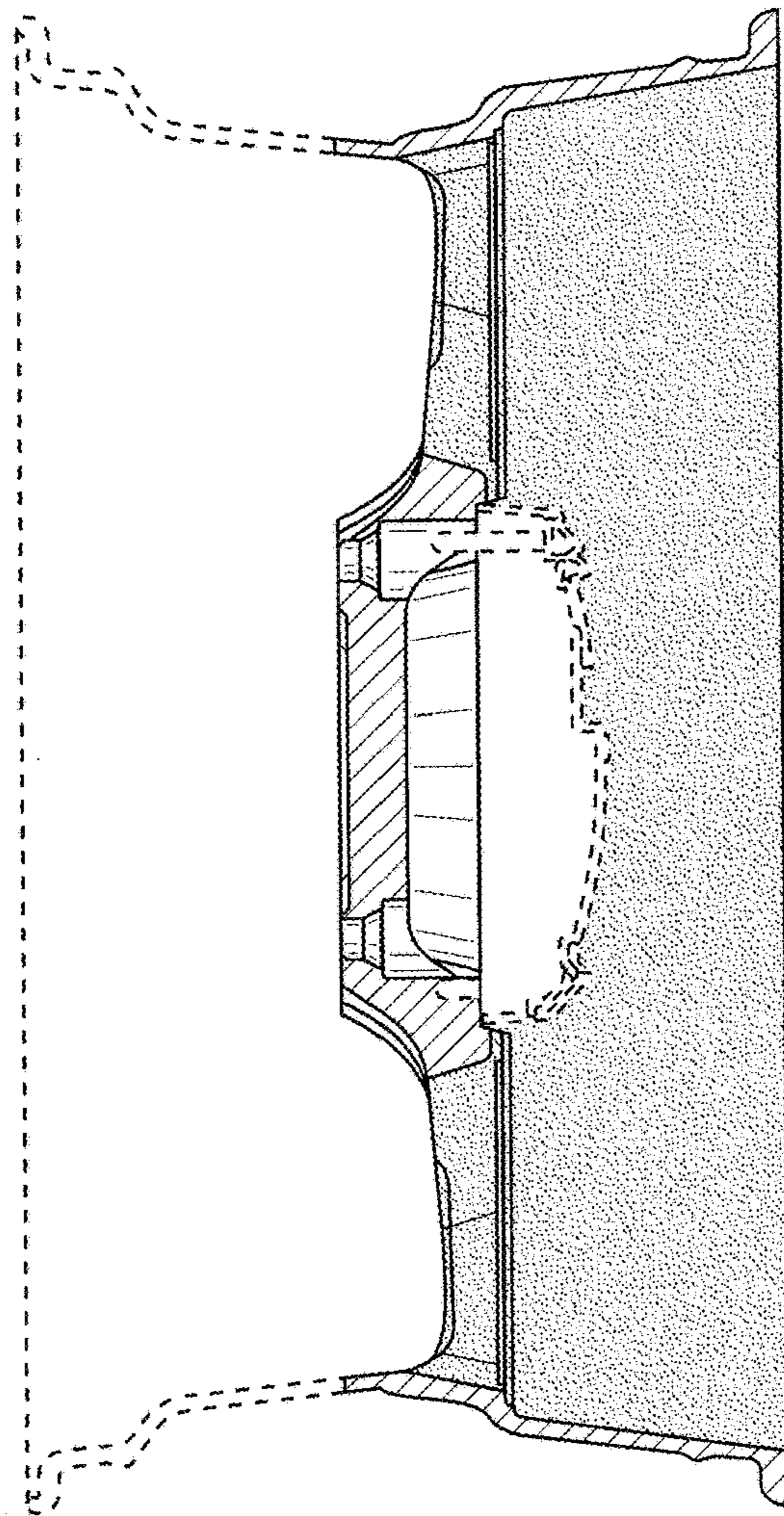


FIG. 3