



US00D859263S

(12) **United States Design Patent**
Guidry

(10) **Patent No.:** **US D859,263 S**

(45) **Date of Patent:** **** Sep. 10, 2019**

(54) **VEHICLE WHEEL**

(71) Applicant: **QUARSA, LLC**, Chino, CA (US)

(72) Inventor: **Jason Guidry**, Los Angeles, CA (US)

(73) Assignee: **QUARSA, LLC**, Chino, CA (US)

(**) Term: **15 Years**

(21) Appl. No.: **29/650,578**

(22) Filed: **Jun. 7, 2018**

(51) **LOC (12) Cl.** **12-16**

(52) **U.S. Cl.**

USPC **D12/209**

(58) **Field of Classification Search**

USPC D12/204–213

CPC B60B 7/00; B60B 7/02; B60B 7/04; B60B 7/01; B60B 7/06; B60B 3/02; B60B 3/04;

B60B 3/06; B60B 3/10; B60B 1/00;

B60B 1/08; B60B 1/10; B60B 1/12

See application file for complete search history.

(56) **References Cited**

U.S. PATENT DOCUMENTS

D384,023 S *	9/1997	Chrysanto	D12/209
D389,447 S *	1/1998	Chrysanto	D12/209
D400,484 S *	11/1998	Chrysanto	D12/209
D400,489 S *	11/1998	McMath	D12/209
D488,420 S *	4/2004	Murkett	D12/209
D502,677 S *	3/2005	Baum	D12/209
D522,433 S *	6/2006	Szavits	D12/209
D539,204 S *	3/2007	Pollmann	D12/209
D603,318 S *	11/2009	Luciani	D12/209
D614,558 S *	4/2010	Luciani	D12/209
D623,998 S *	9/2010	Holstein	D12/209
D626,052 S *	10/2010	Majdandzic	D12/209
D654,006 S *	2/2012	Baum	D12/209

D656,443 S *	3/2012	Fetherston	D12/209
D673,095 S *	12/2012	Behmer	D12/209
D677,206 S *	3/2013	Garbas	D12/209
D696,176 S *	12/2013	Rojas	D12/209
D706,195 S *	6/2014	Lee	D12/211
D730,798 S *	6/2015	Diephuis	D12/209
D734,234 S *	7/2015	Juergens	D12/209
D739,324 S *	9/2015	Mueller-Stolz	D12/209
D739,326 S *	9/2015	Juergens	D12/209
D744,925 S *	12/2015	Wheel	D12/209
D746,750 S *	1/2016	Curtis	D12/209
D746,751 S *	1/2016	Wheel	D12/209
D748,552 S *	2/2016	Wagener	D12/209
D749,028 S *	2/2016	Henstridge	D12/209
D751,482 S *	3/2016	Caswell	D12/209
D755,693 S *	5/2016	Lee	D12/209
D766,153 S *	9/2016	Wheel	D12/209
D775,048 S *	12/2016	Rueckheim	D12/211
D794,526 S *	8/2017	Patel	D12/209
D823,771 S *	7/2018	Mueller	D12/209
D830,266 S *	10/2018	Licklitter	D12/209
D832,762 S *	11/2018	Austin	D12/209

* cited by examiner

Primary Examiner — Stacia A Cadmus

(74) *Attorney, Agent, or Firm* — Snell & Wilmer LLP

(57) **CLAIM**

I claim the ornamental design for a vehicle wheel, as shown and described.

DESCRIPTION

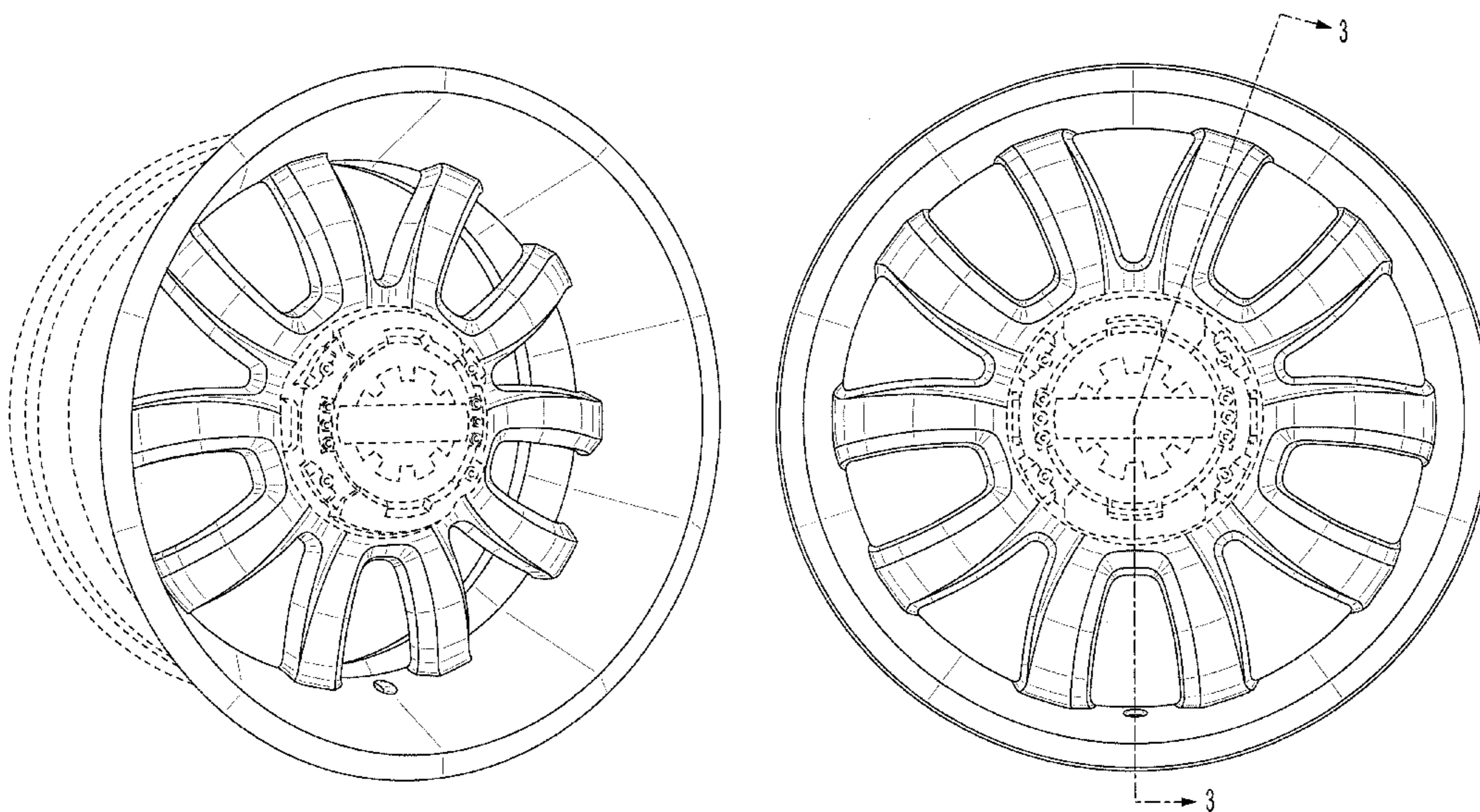
FIG. 1 is a perspective view of the vehicle wheel showing my new design;

FIG. 2 is a front view of the vehicle wheel; and,

FIG. 3 is a cross-sectional view taken along the line 3-3 of FIG. 2.

The broken lines are included for the purpose of illustrating environment and forms no part of the claimed design.

1 Claim, 3 Drawing Sheets



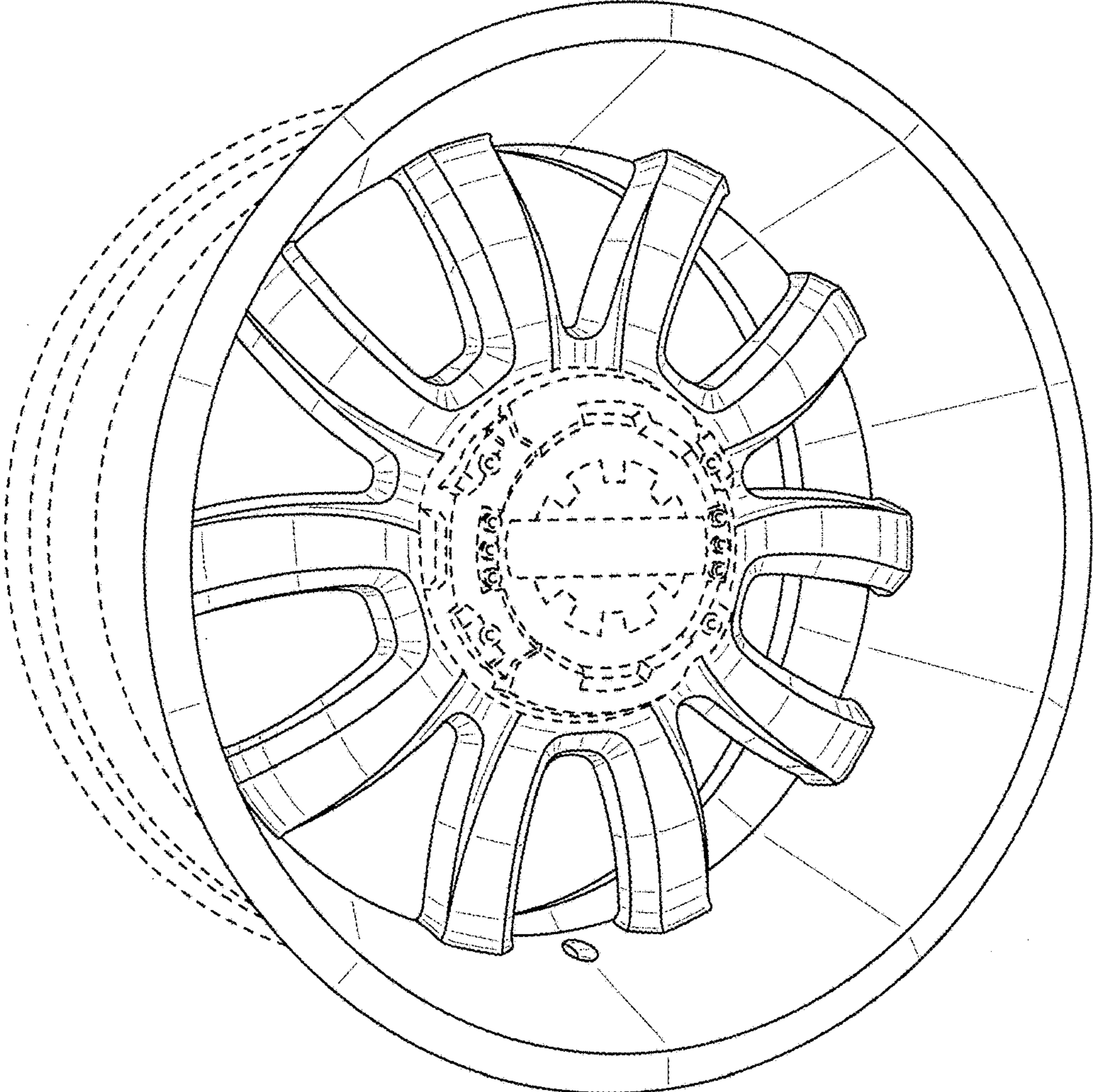


FIG. 1

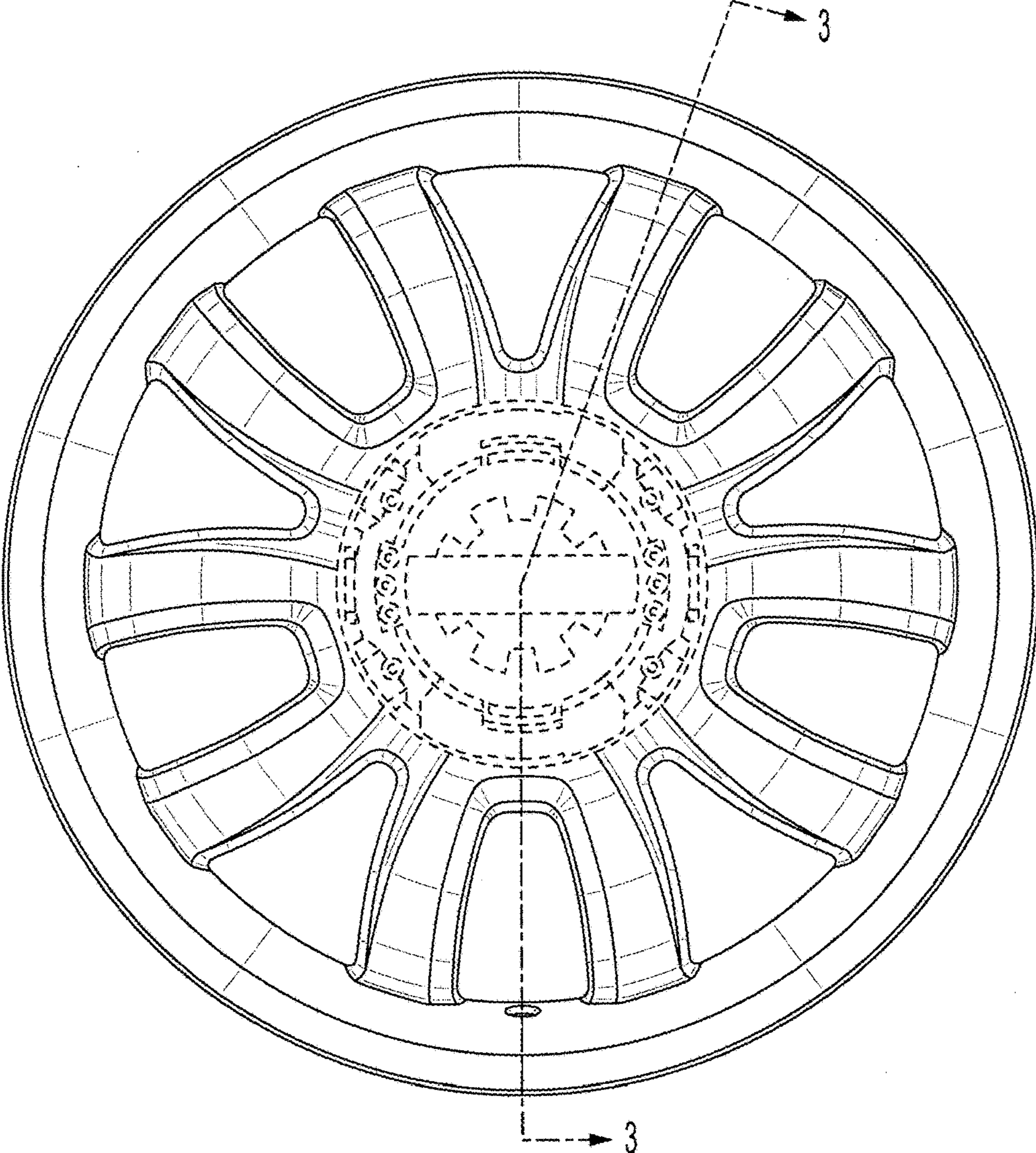


FIG. 2

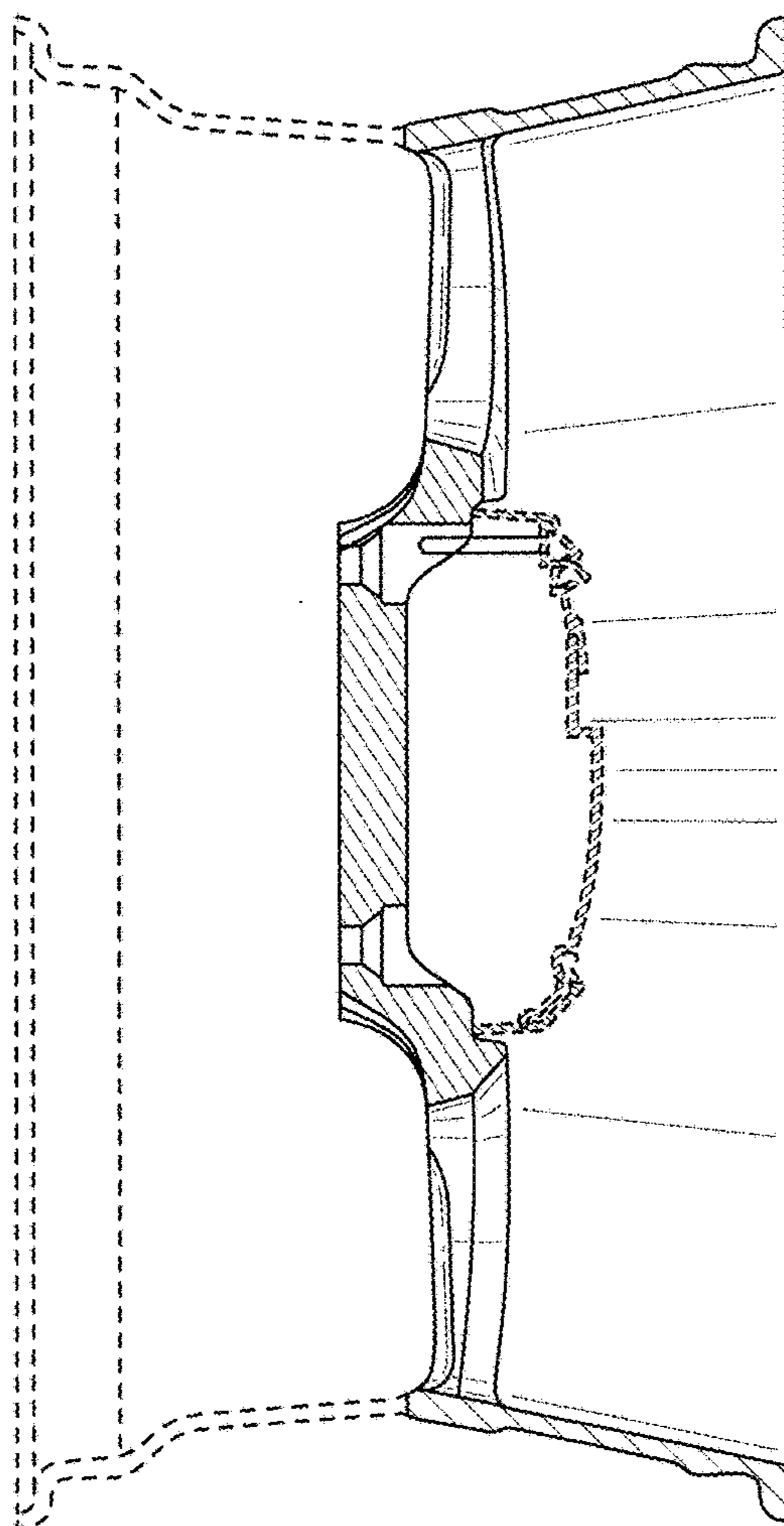


FIG. 3