



US00D859257S

(12) **United States Design Patent**  
**Winter et al.**

(10) **Patent No.:** **US D859,257 S**

(45) **Date of Patent:** **\*\* Sep. 10, 2019**

(54) **AUTOMOTIVE HUB ASSEMBLY**

(71) Applicant: **MEVOTECH LP**, Toronto, Ontario  
(CA)

(72) Inventors: **Simon Winter**, Milton (CA); **Mayur Shah**, Brampton (CA); **Sorin Marius Carausu**, Aurora (CA)

(73) Assignee: **Mevotech LP**, Toronto (CA)

(\*\*) Term: **15 Years**

(21) Appl. No.: **29/646,335**

(22) Filed: **May 3, 2018**

(30) **Foreign Application Priority Data**

Jan. 5, 2018 (CA) ..... 179040

(51) **LOC (12) Cl.** ..... **12-16**

(52) **U.S. Cl.**  
USPC ..... **D12/207**

(58) **Field of Classification Search**  
USPC ..... D12/204–213  
See application file for complete search history.

(56) **References Cited**

**U.S. PATENT DOCUMENTS**

D442,904 S \* 5/2001 Herrera ..... D12/207  
D470,447 S \* 2/2003 Orey ..... D12/207

D498,447 S \* 11/2004 Kato ..... D12/207  
D500,719 S \* 1/2005 Baker ..... D12/207  
D500,976 S \* 1/2005 Baker ..... D12/207  
D504,377 S \* 4/2005 Caudill ..... D12/207  
D528,492 S \* 9/2006 Wu ..... D12/207  
D561,081 S \* 2/2008 Box ..... D12/207  
D591,215 S \* 4/2009 Weigand ..... D12/207  
2007/0052284 A1 \* 3/2007 White ..... B60B 7/0013  
301/108.1

\* cited by examiner

*Primary Examiner* — Stacia A Cadmus

(74) *Attorney, Agent, or Firm* — Kusner & Jaffe

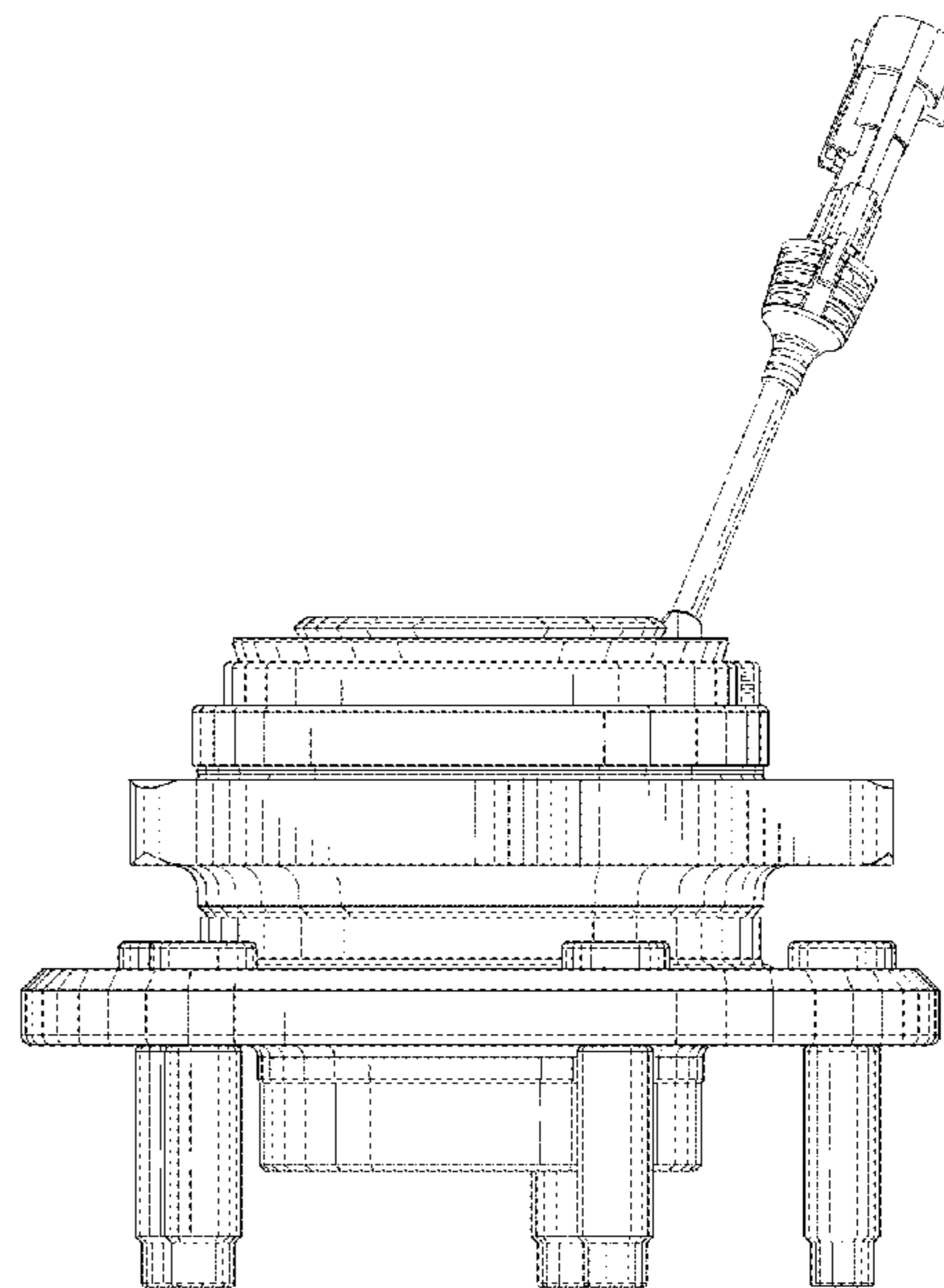
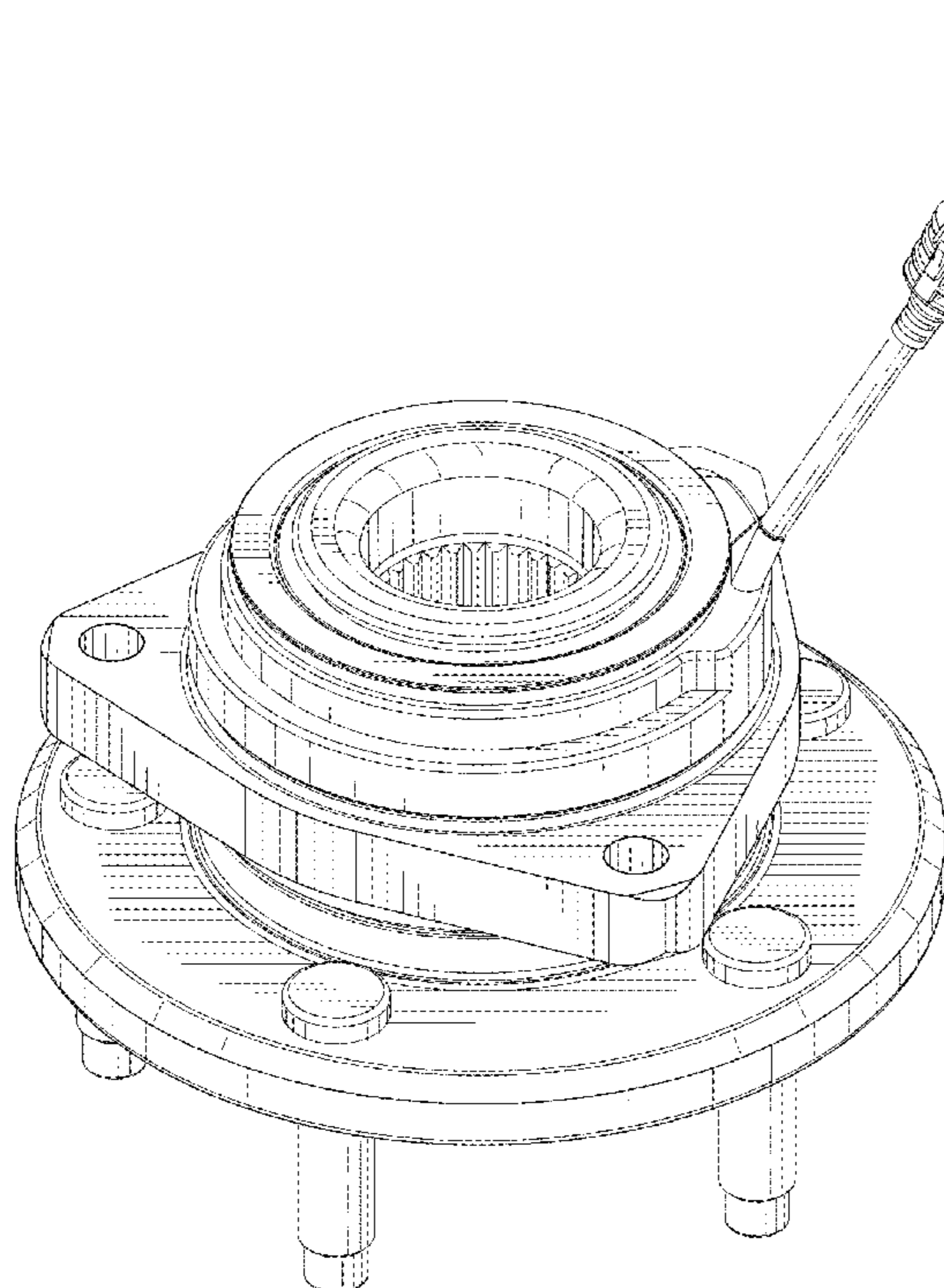
(57) **CLAIM**

The ornamental design for an automotive hub assembly, as shown and described.

**DESCRIPTION**

FIG. 1 is a top front perspective view of an automotive hub assembly showing our new design; FIG. 2 is a front elevational view thereof; FIG. 3 is a rear elevational view thereof; FIG. 4 is a right side elevational view thereof; FIG. 5 is a left side elevational view thereof; FIG. 6 is a top plan view thereof; and, FIG. 7 is a bottom plan view thereof. The broken lines in the drawings illustrate portions of the automotive hub assembly that form no part of the claimed design.

**1 Claim, 6 Drawing Sheets**



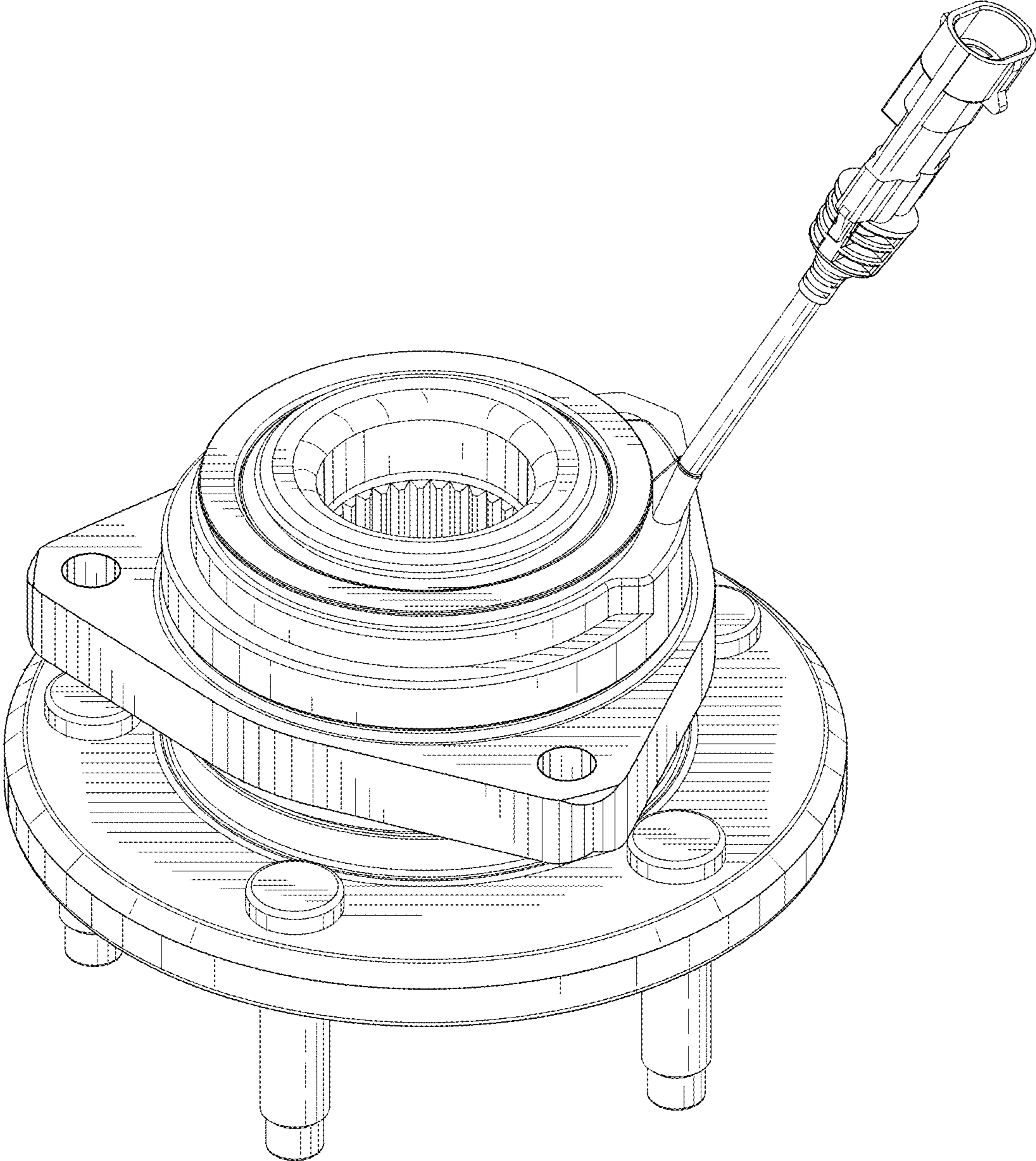


FIG.1

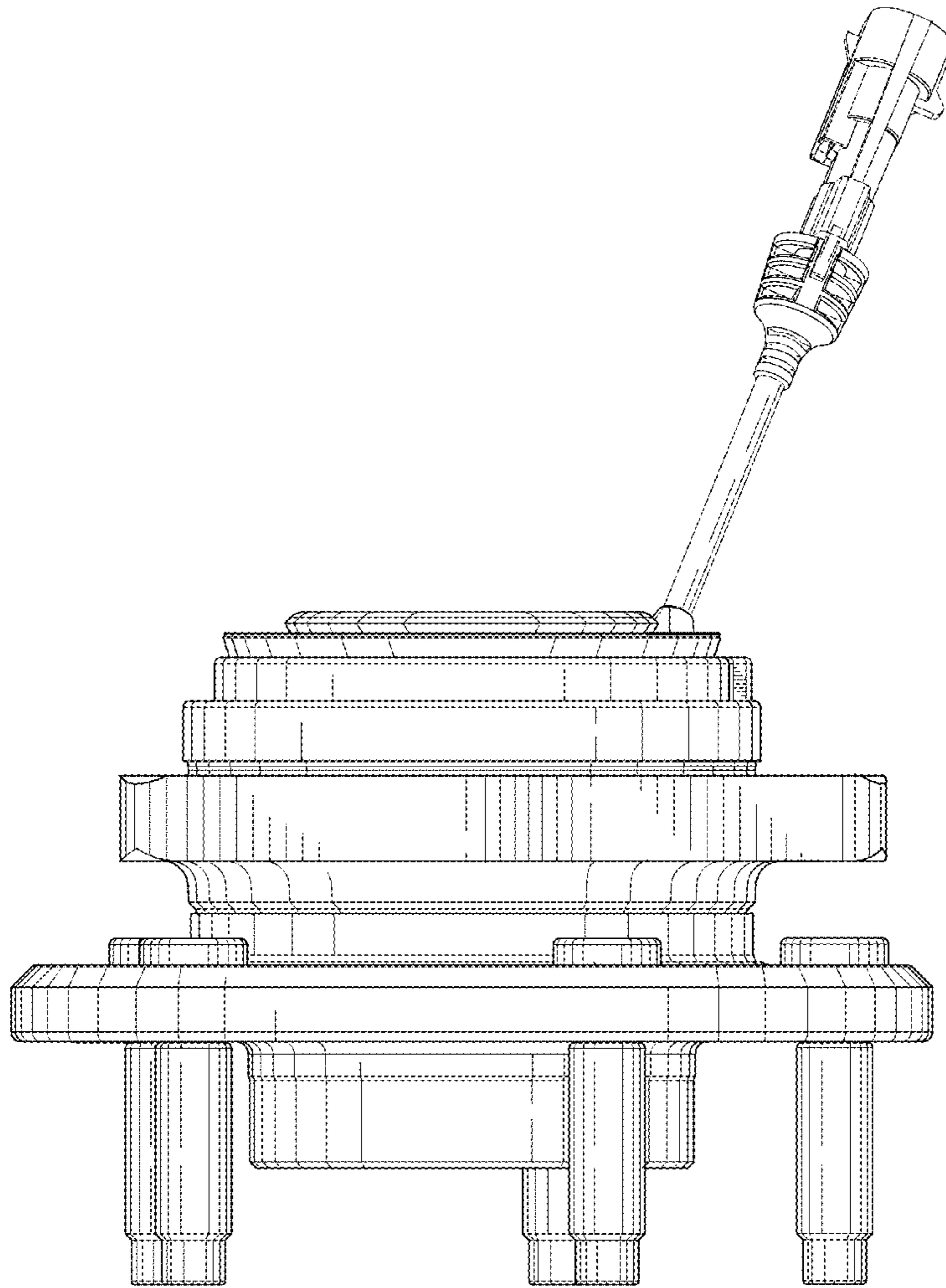


FIG.2

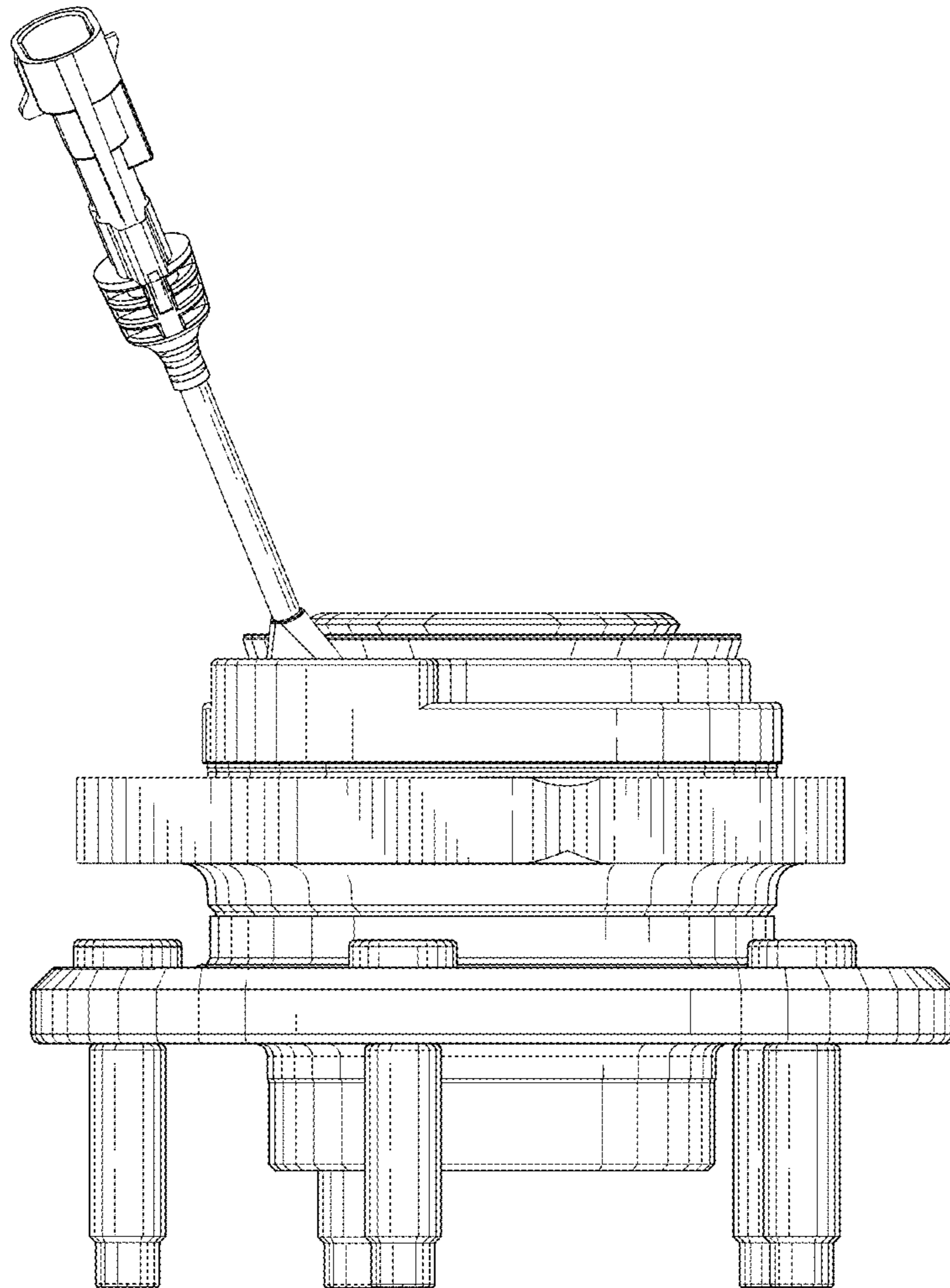


FIG.3

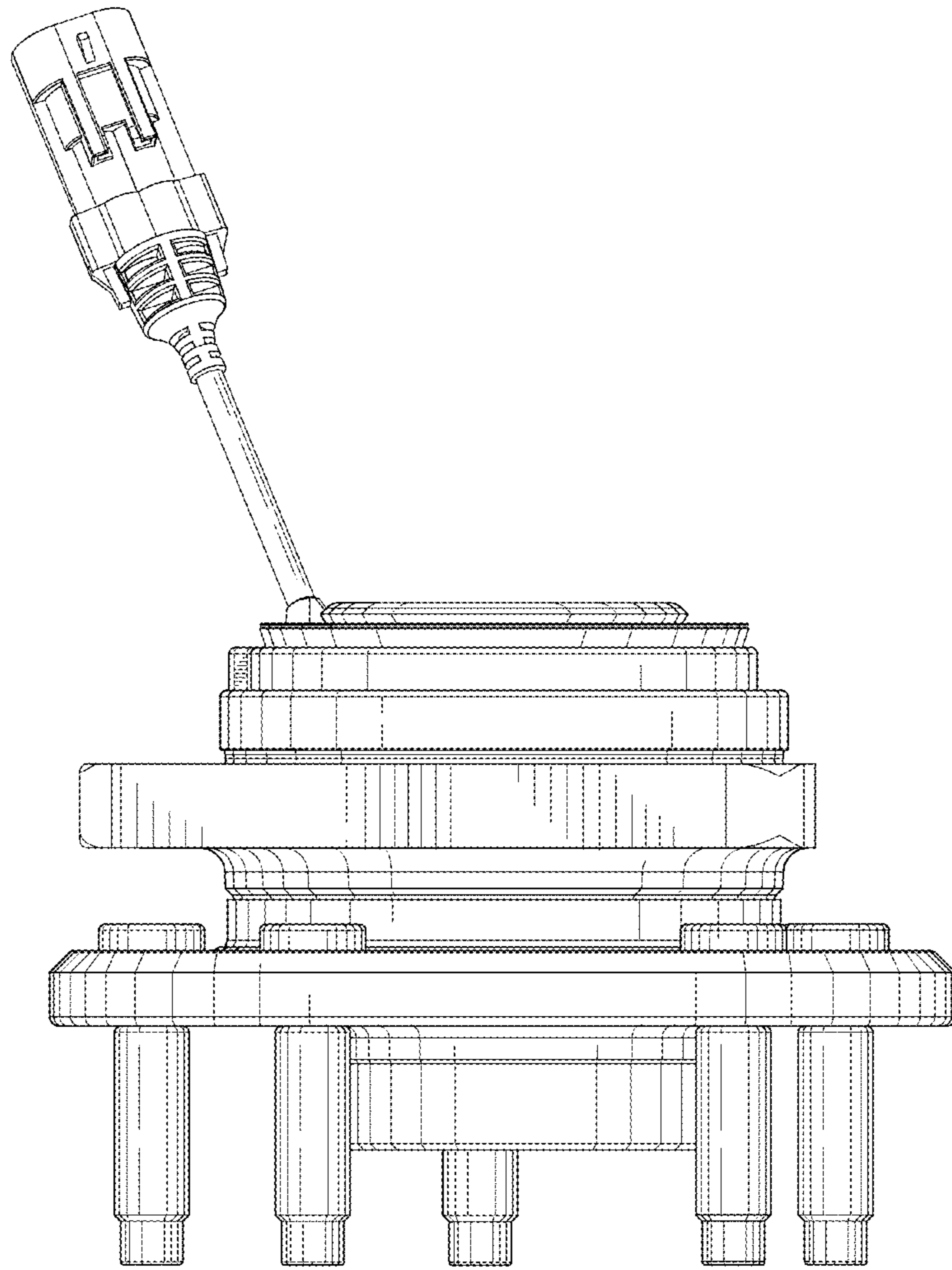


FIG.4

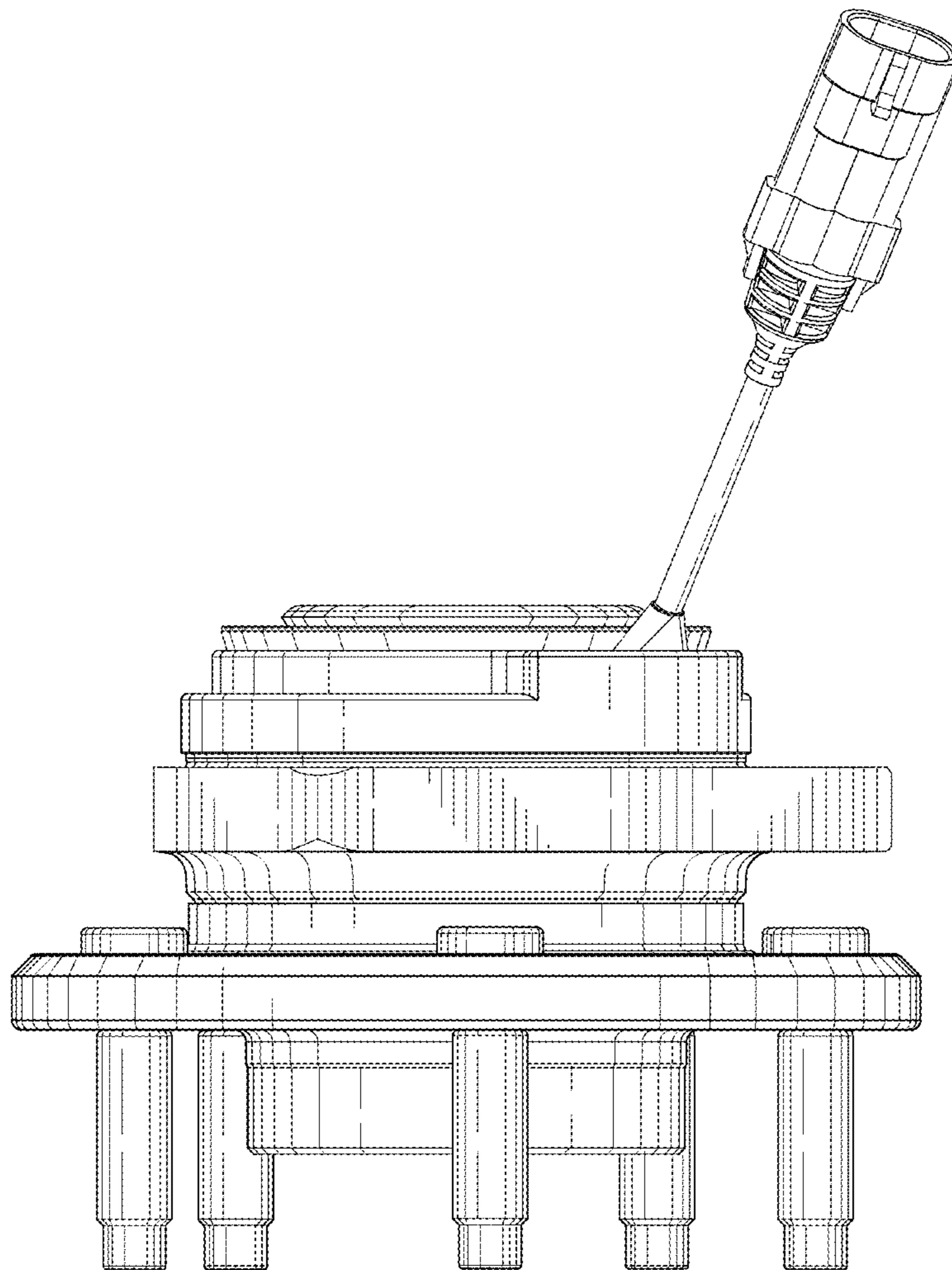


FIG.5

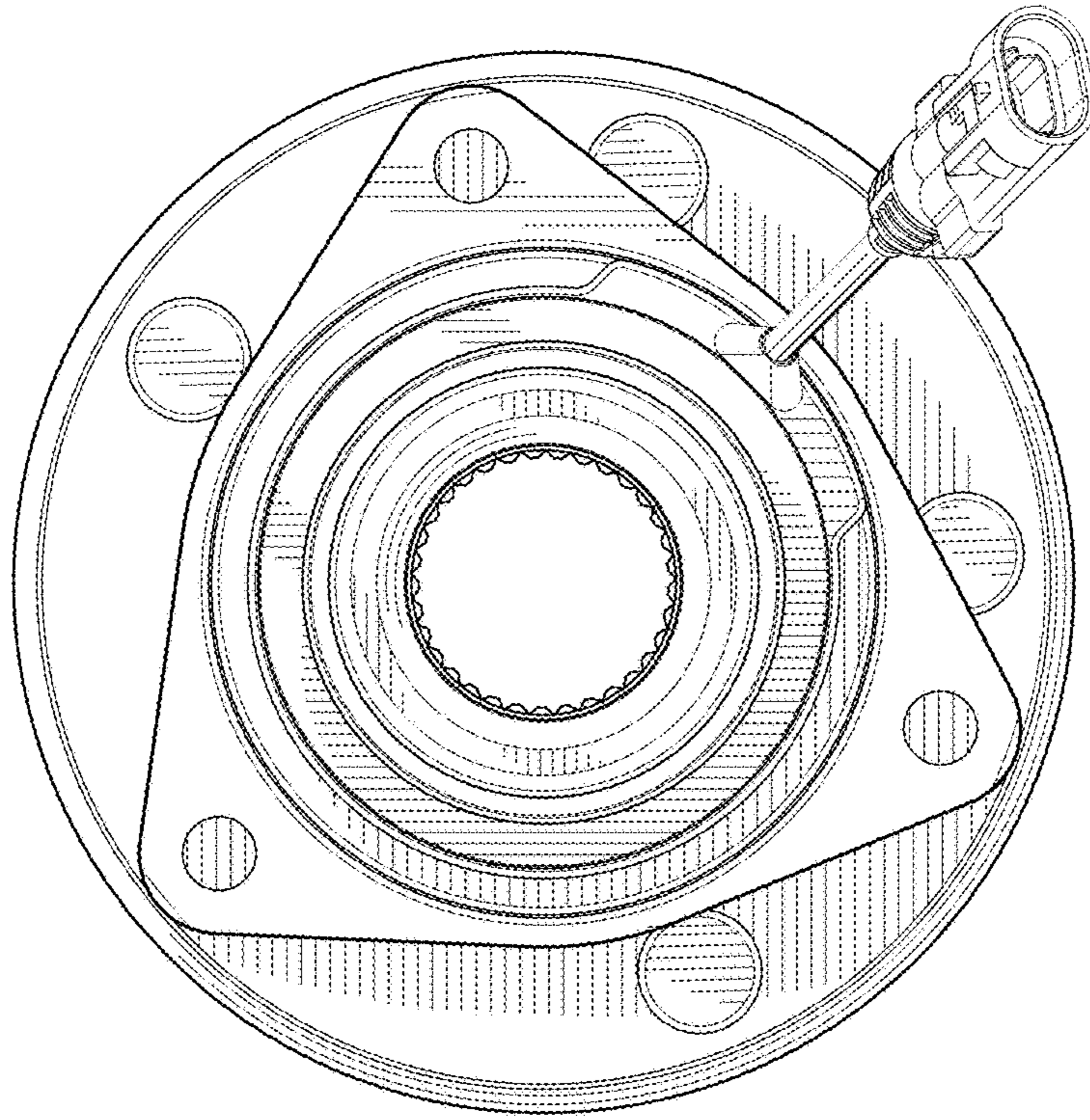


FIG. 6

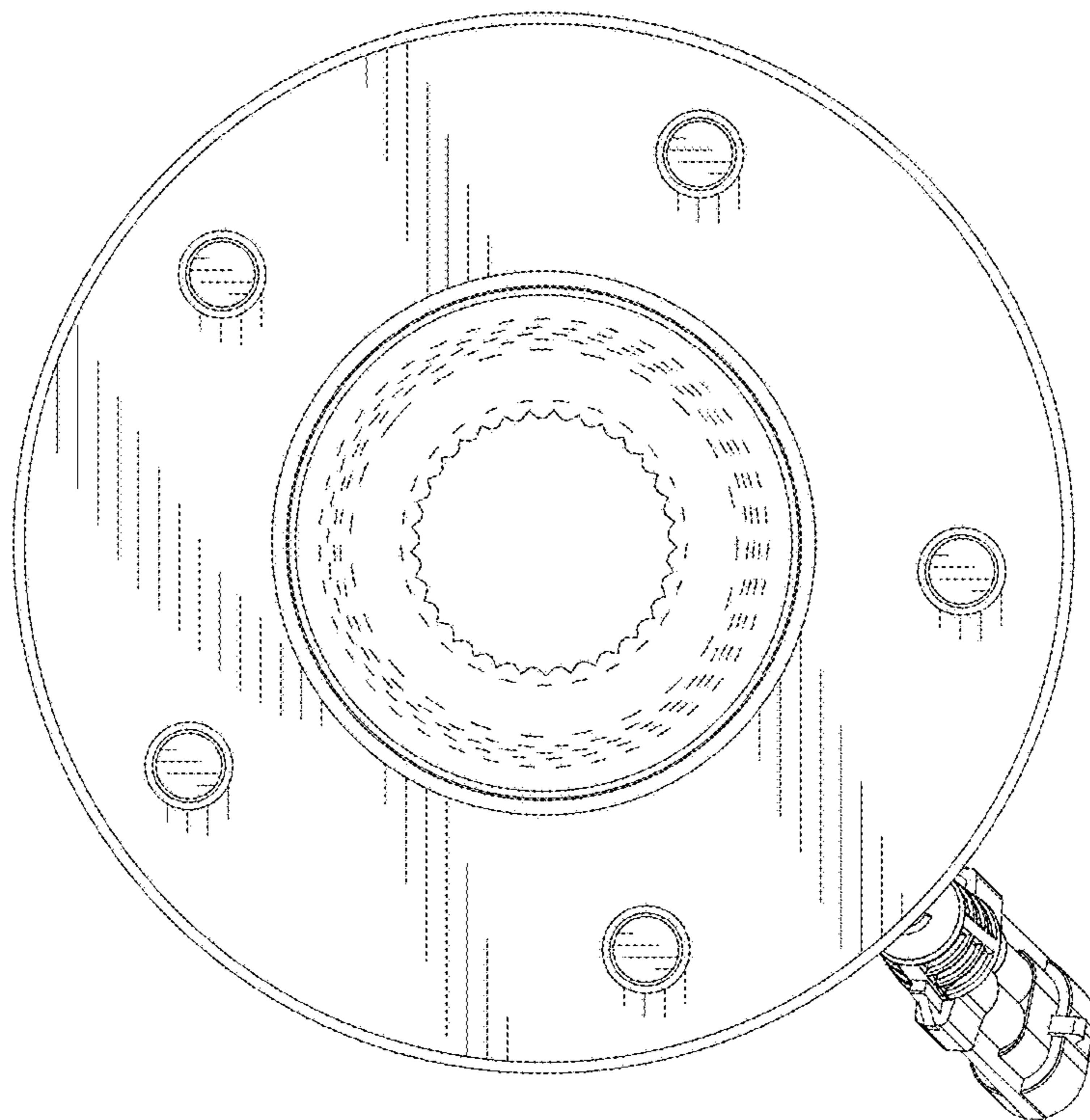


FIG. 7