



US00D859256S

(12) **United States Design Patent** (10) **Patent No.:** **US D859,256 S**
Rosario (45) **Date of Patent:** **** Sep. 10, 2019**

(54) **ROTATING VEHICLE STEP**
(71) Applicant: **Ferdinand Rosario**, Newmarket, NH (US)
(72) Inventor: **Ferdinand Rosario**, Newmarket, NH (US)
(**) Term: **15 Years**
(21) Appl. No.: **29/650,789**
(22) Filed: **Jun. 8, 2018**

Related U.S. Application Data

(63) Continuation of application No. 15/983,271, filed on May 18, 2018.
(51) **LOC (12) Cl.** **12-16**
(52) **U.S. Cl.**
USPC **D12/203**
(58) **Field of Classification Search**
USPC D12/203, 89, 98, 162, 190, 196, 314;
D23/370, 371; D8/15, 349; D25/63, 69
CPC .. B60R 3/00; B60R 3/02; B60R 3/002; B60R
3/005; B60R 3/007
See application file for complete search history.

References Cited

U.S. PATENT DOCUMENTS

1,765,891 A * 6/1930 Waggoner B60R 3/00
280/163
D218,203 S * 7/1970 Vevea D12/203
3,756,622 A 9/1973 Pyle et al.
4,200,303 A 4/1980 Kelly
4,231,583 A 11/1980 Learn
D275,787 S * 10/1984 Rapp D23/370
D276,716 S * 12/1984 Dignan D12/203
D281,276 S * 11/1985 Farrer D23/370
D293,667 S * 1/1988 Weiler D12/203
D296,431 S * 6/1988 Yont D12/203
D299,857 S * 2/1989 Marchetti D23/370

4,829,612 A 5/1989 Adams
D305,229 S * 12/1989 Milani D23/370
D313,388 S * 1/1991 Dale D12/203
D316,394 S * 4/1991 Carr D12/203
5,137,294 A 8/1992 Martin
5,224,723 A 7/1993 Hatas
5,549,536 A 8/1996 Clark
6,000,496 A 12/1999 Rinaldi
6,179,312 B1 1/2001 Paschke et al.
D445,076 S * 7/2001 Weinerman D12/203
D449,264 S * 10/2001 Weinerman D12/203
6,655,706 B1 12/2003 Murrell
D505,900 S * 6/2005 Oravec, III D12/203
D506,171 S * 6/2005 Oravec, III D12/203
7,150,497 B1 12/2006 Smith et al.
D565,165 S * 3/2008 Calkins D23/370
7,461,852 B2 12/2008 Richardson et al.
D641,668 S * 7/2011 Exarhos D12/162
8,042,820 B1 10/2011 Dewees
D676,541 S * 2/2013 Fu D23/370

(Continued)

Primary Examiner — Michelle E. Wilson
Assistant Examiner — Clese Moore, Jr.
(74) *Attorney, Agent, or Firm* — Lambert Shortell & Connaughton; Gary E. Lambert; David J. Connaughton, Jr.

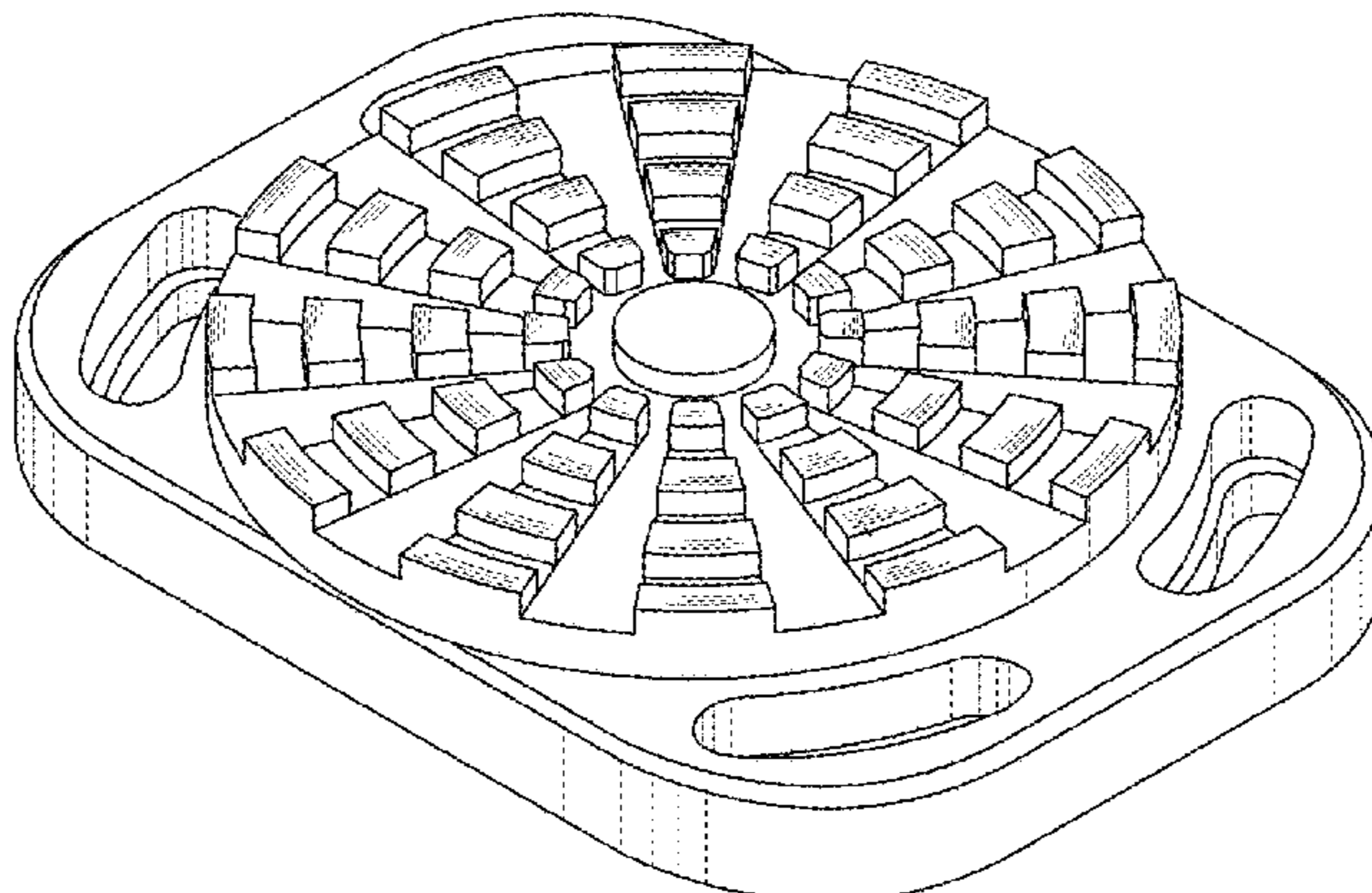
(57) **CLAIM**

The ornamental design for the vehicle rotatable step, as shown and described.

DESCRIPTION

FIG. 1 is a perspective front view of the vehicle rotatable step, which embodies my design;
FIG. 2 is a top view thereof;
FIG. 3 is a bottom view thereof;
FIG. 4 is a front side view thereof;
FIG. 5 is a rear side view thereof;
FIG. 6 is a left view thereof; and,
FIG. 7 is a right view thereof.

1 Claim, 3 Drawing Sheets



(56)

References Cited

U.S. PATENT DOCUMENTS

D696,764 S * 12/2013 Sato D13/179
D721,629 S * 1/2015 Kaufman D12/203
D723,151 S * 2/2015 Xu D23/370
D774,174 S * 12/2016 Chapman D23/370
2006/0266582 A1 11/2006 Eckerdt
2012/0201649 A1 8/2012 Shen et al.
2012/0324667 A1 12/2012 Corlette
2018/0334104 A1* 11/2018 Rosario B60R 3/00

* cited by examiner

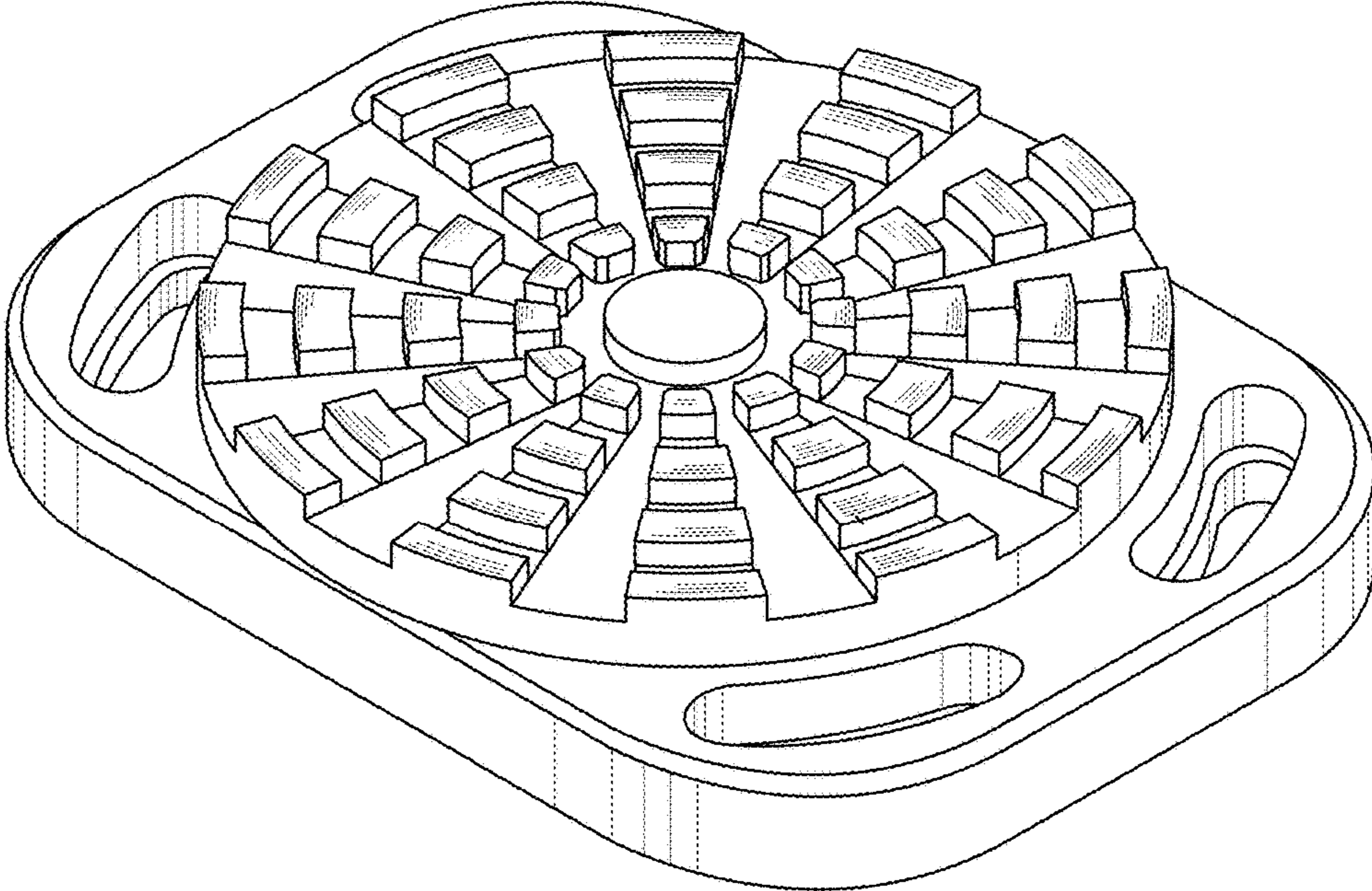


Fig. 1

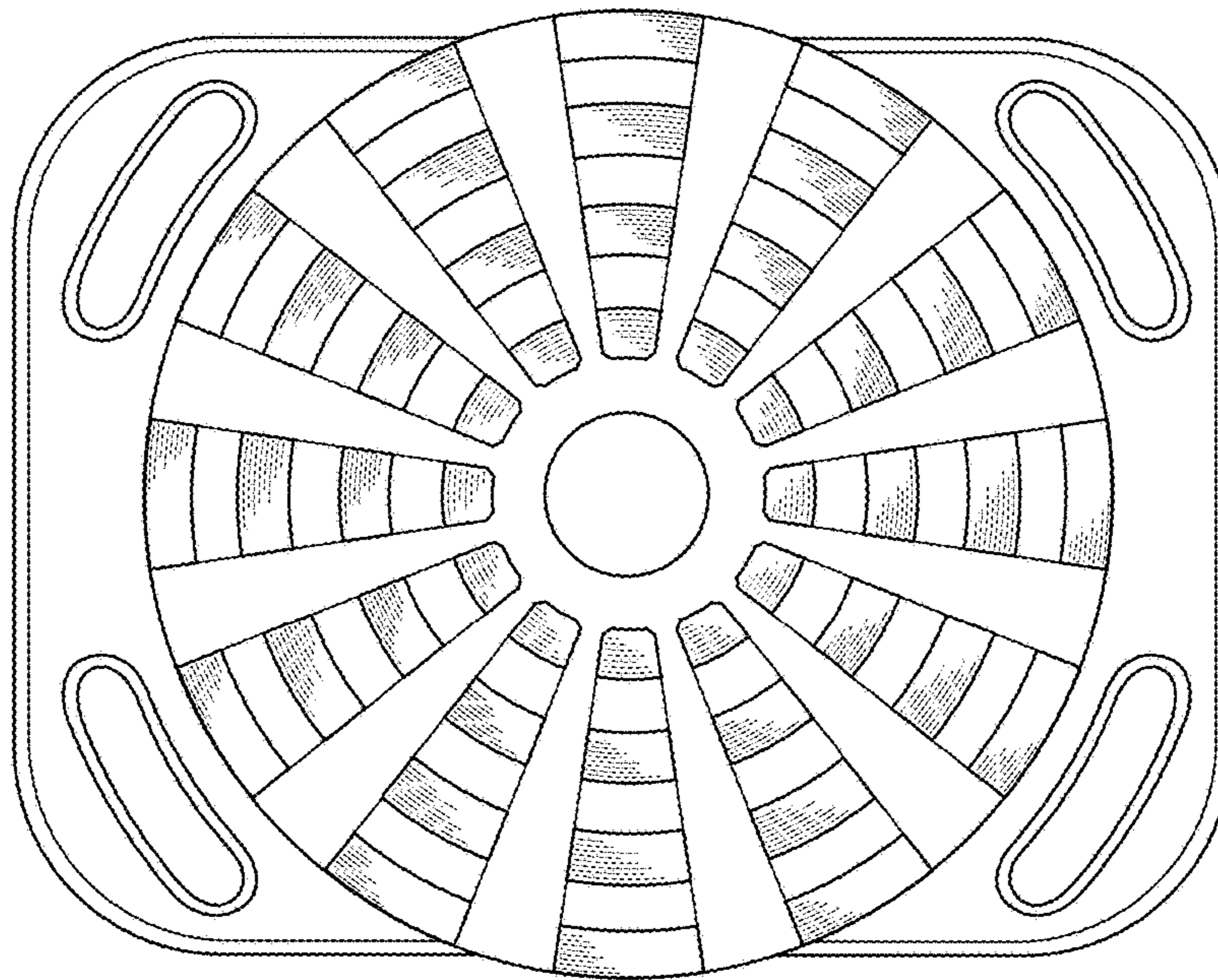


Fig. 2

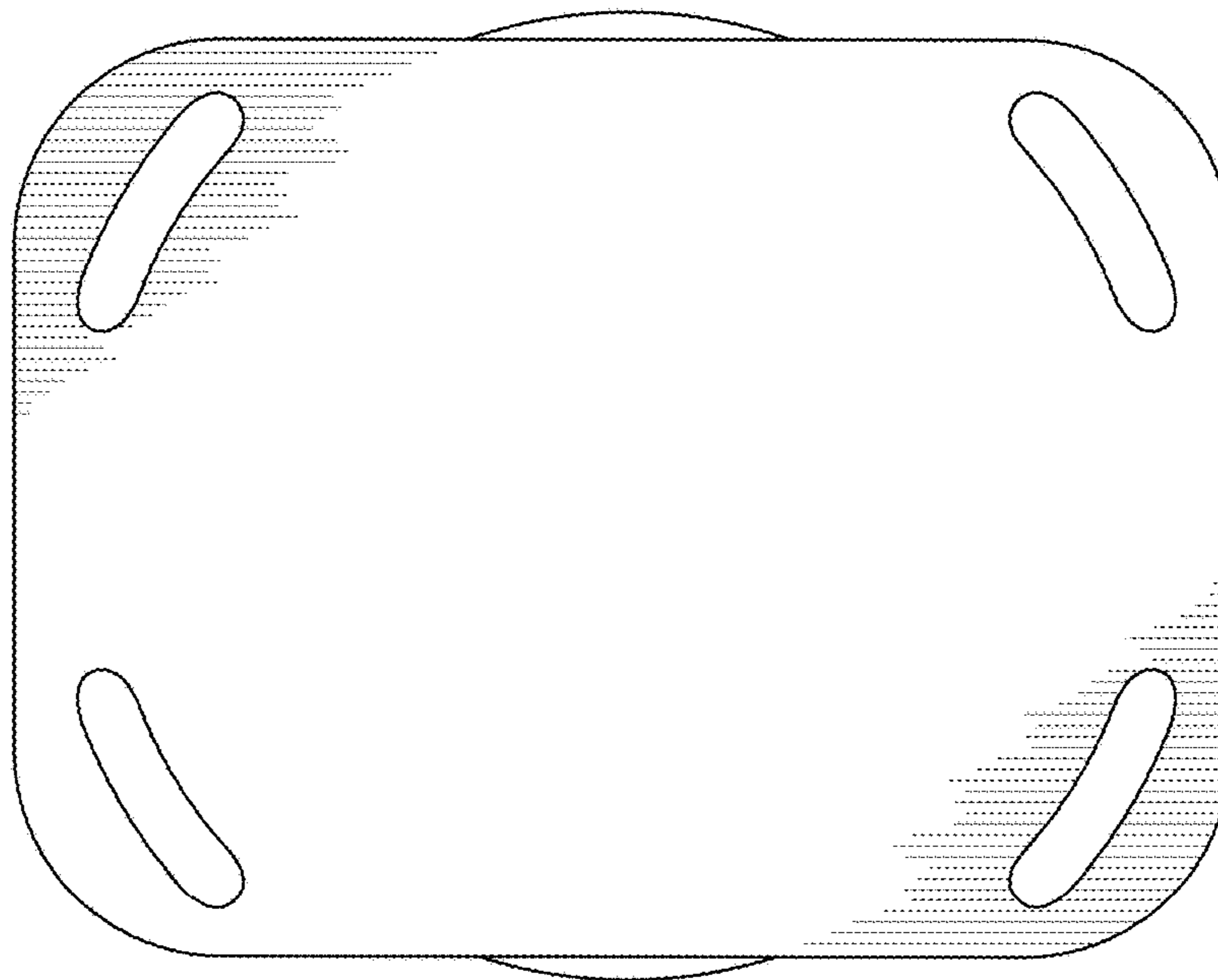


Fig. 3

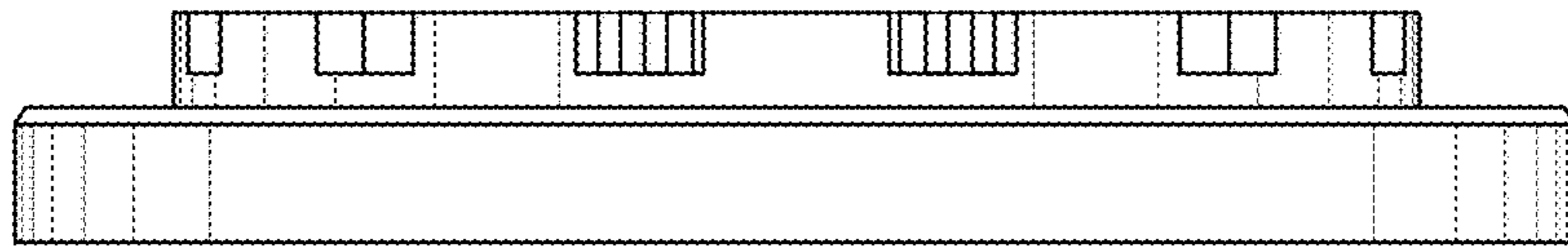


Fig. 4

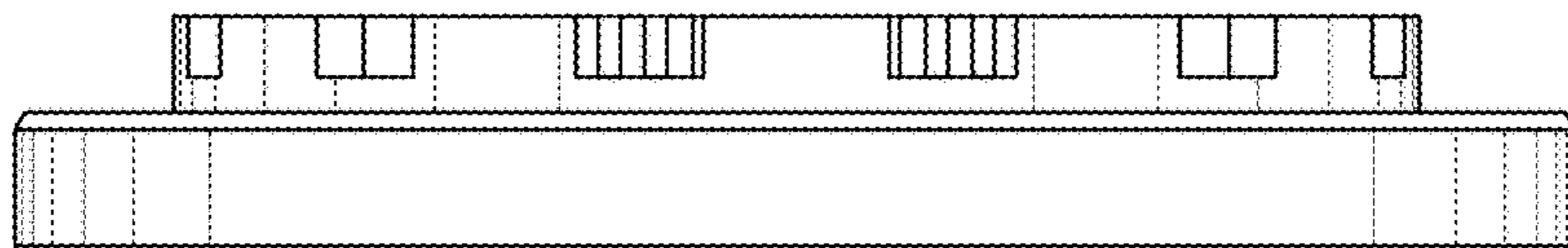


Fig. 5

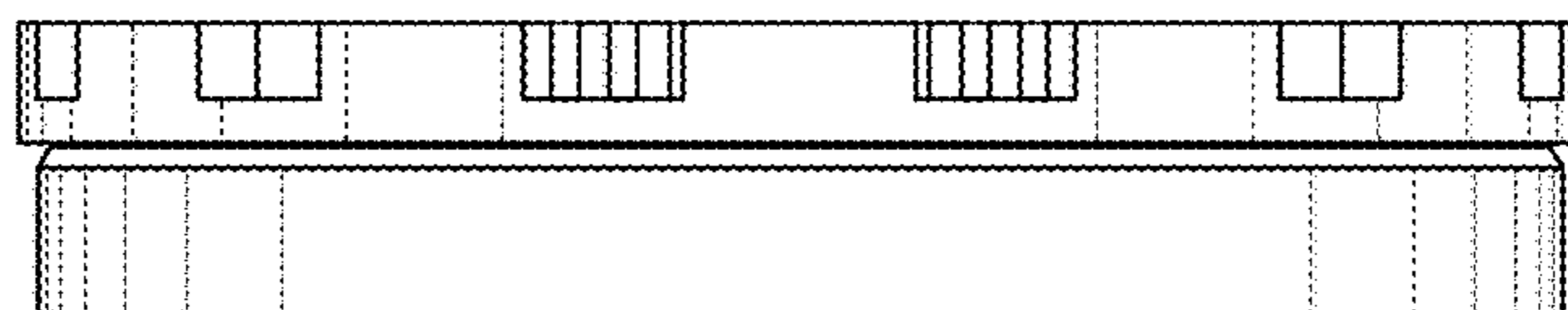


Fig. 6

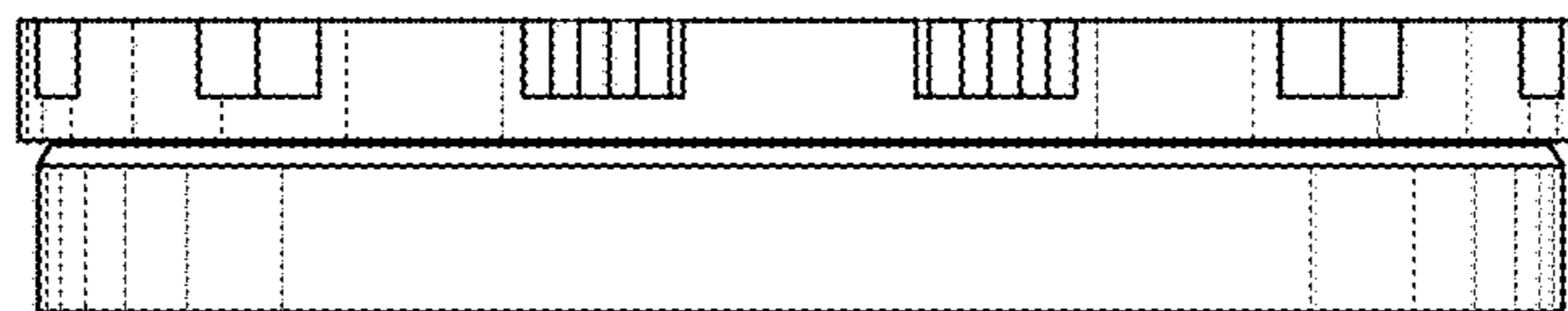


Fig. 7