



US00D859255S

(12) **United States Design Patent** (10) **Patent No.:** **US D859,255 S**
Lee et al. (45) **Date of Patent:** **** Sep. 10, 2019**

(54) **REAR DOOR PANEL FOR AN AUTOMOBILE**

(71) Applicants: **HYUNDAI MOTOR COMPANY**,
Seoul (KR); **KIA MOTORS**
CORPORATION, Seoul (KR)

(72) Inventors: **Sang Jae Lee**, Anyang-si (KR); **Yong**
Jun Heo, Gwacheon-si (KR)

(73) Assignees: **Hyundai Motor Company**, Seoul
(KR); **Kia Motors Corporation**, Seoul
(KR)

(**) Term: **15 Years**

(21) Appl. No.: **35/505,296**

(22) Filed: **Jan. 12, 2018**

(80) **Hague Agreement Data**

Int. Filing Date: **Jan. 12, 2018**

Int. Reg. No.: **DM/099508**

Int. Reg. Date: **Jan. 12, 2018**

Int. Reg. Pub. Date: **Jul. 13, 2018**

(30) **Foreign Application Priority Data**

Jul. 13, 2017 (KR) 30-2017-0032311

(51) **LOC (12) Cl.** **12-16**

(52) **U.S. Cl.**
USPC **D12/196**

(58) **Field of Classification Search**

USPC D12/90, 91, 92, 184, 196

CPC B62D 24/00; B62D 24/02; B62D 25/02;

B62D 25/18; B62D 25/08; B62D 35/00;

B60J 5/04; B60R 19/02; B60R 19/04

See application file for complete search history.

(56) **References Cited**

U.S. PATENT DOCUMENTS

D418,471 S * 1/2000 Gabath D12/196

D489,305 S * 5/2004 Kim D12/196

D573,522 S * 7/2008 Sato D12/196
D580,331 S * 11/2008 Gueler D12/196
D645,388 S * 9/2011 Kumai D12/196
D654,418 S * 2/2012 Hakamata D12/196
D655,656 S * 3/2012 Kubo D12/196
D660,211 S * 5/2012 Ikuma D12/196
D660,759 S * 5/2012 Matsumoto D12/196
8,226,143 B2 * 7/2012 Takeuchi B60R 13/04
296/1.08
D671,471 S * 11/2012 Yamada D12/196
D676,366 S * 2/2013 Yamada D12/196
D678,154 S * 3/2013 Musk 296/146.9
D686,553 S * 7/2013 Kwon D12/196
D695,661 S * 12/2013 Asano D12/196
D695,664 S * 12/2013 Suga D12/196
D699,654 S * 2/2014 Okue D12/196
D699,657 S * 2/2014 Jevremovic D12/196
D705,149 S * 5/2014 Sakae D12/196
D758,270 S * 6/2016 Zadnik D12/196
9,427,791 B2 * 8/2016 Okunaka B21D 19/12
D776,593 S * 1/2017 Schneider D12/196

(Continued)

Primary Examiner — Darlington Ly

(74) *Attorney, Agent, or Firm* — Mintz Levin Cohn Ferris
Glovsky and Popeo, P.C.; Kongsik Kim

(57) **CLAIM**

The ornamental design for a rear door panel for an automo-
bile, as shown and described.

DESCRIPTION

1. Rear door panel for an automobile

1.1 is a perspective view of a rear door panel for an
automobile showing our new design;

1.2 is a front elevation view thereof;

1.3 is a rear elevation view thereof;

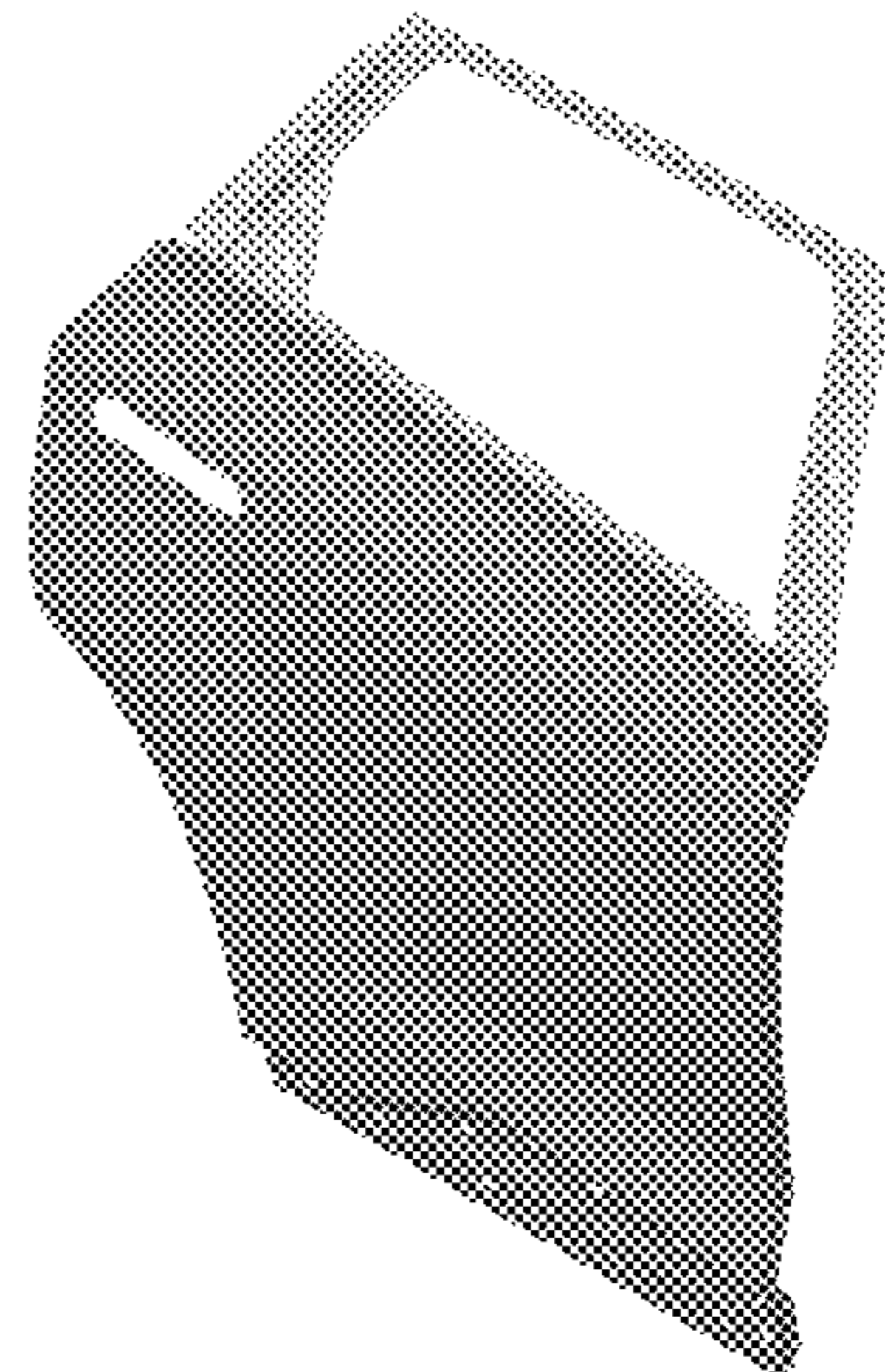
1.4 is a left side elevation view thereof;

1.5 is a right side elevation view thereof;

1.6 is a top plan view thereof; and

1.7 is a bottom plan view thereof.

1 Claim, 7 Drawing Sheets



(56)

References Cited

U.S. PATENT DOCUMENTS

D784,888 S *	4/2017	Lim	D12/196
D785,530 S *	5/2017	Kyung	D12/196
D787,402 S *	5/2017	Luk	D12/196
2015/0251524 A1 *	9/2015	Goto	B60J 5/0426 52/204.71

* cited by examiner

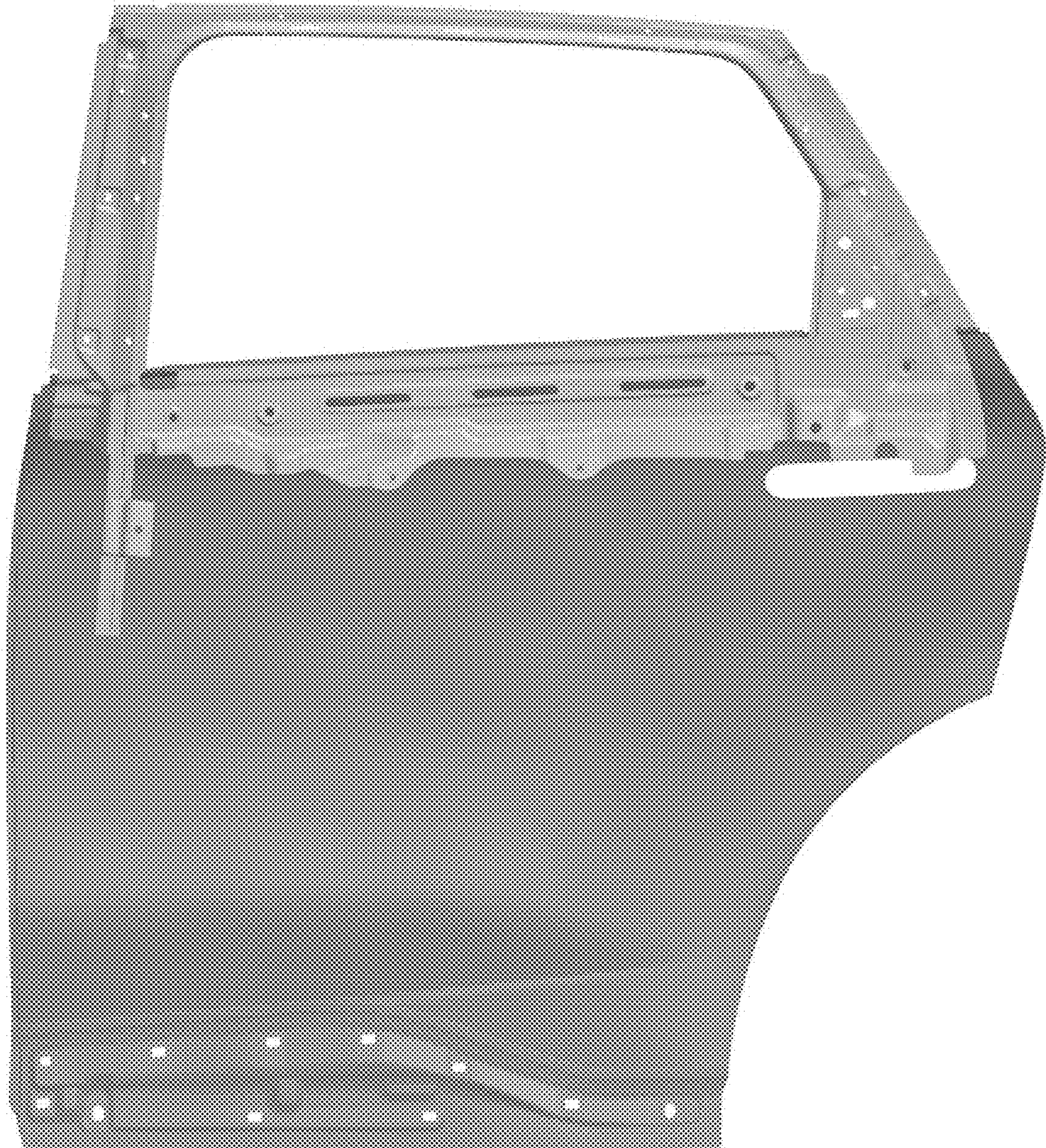
1.1



1.2



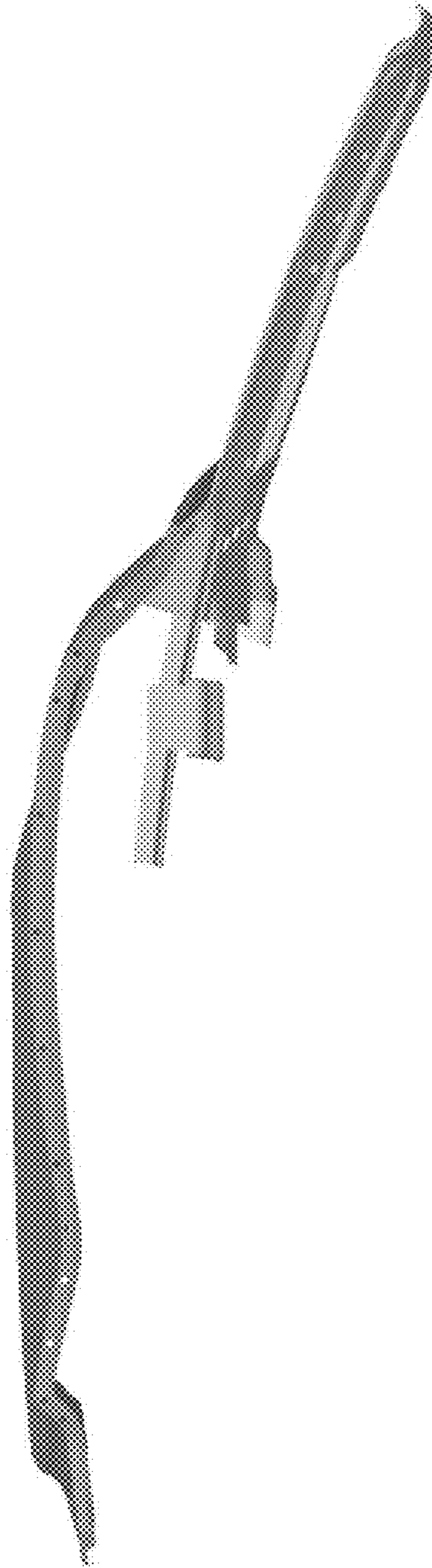
1.3



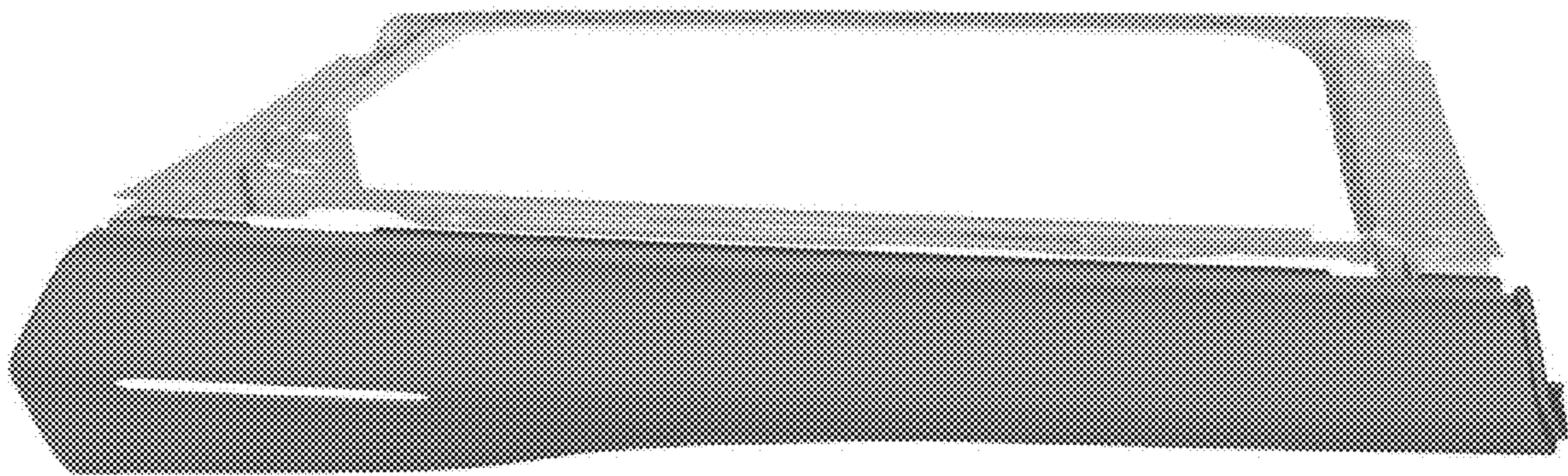
1.4



1.5



1.6



1.7

