



US00D859249S

(12) **United States Design Patent** (10) **Patent No.:** **US D859,249 S**
Forschner (45) **Date of Patent:** **** Sep. 10, 2019**

- (54) **REAR FENDER FOR A VEHICLE**
- (71) Applicant: **Bayerische Motoren Werke Aktiengesellschaft, Munich (DE)**
- (72) Inventor: **Anne Kristina Forschner, Munich (DE)**
- (73) Assignee: **Bayerische Motoren Werke Aktiengesellschaft, Munich (DE)**
- (**) Term: **15 Years**
- (21) Appl. No.: **29/650,334**
- (22) Filed: **Jun. 6, 2018**
- (30) **Foreign Application Priority Data**
Dec. 13, 2017 (DE) 40 2017 101 348
- (51) **LOC (12) Cl.** **12-16**
- (52) **U.S. Cl.**
USPC **D12/184**
- (58) **Field of Classification Search**
USPC D12/114, 181, 184, 196; D15/28
CPC B62D 25/16; B62D 25/18
See application file for complete search history.
- (56) **References Cited**

U.S. PATENT DOCUMENTS

D583,286 S	*	12/2008	Leclercq	D12/184
D585,347 S	*	1/2009	Kamimura	D12/184
D597,004 S	*	7/2009	Habib	D12/184
D605,572 S	*	12/2009	Ward	D12/196
D620,414 S	*	7/2010	Froehlich	D12/184
D633,838 S	*	3/2011	Loeb	D12/196
D671,873 S	*	12/2012	Yamada	D12/196
D696,172 S	*	12/2013	Kawasaki	D12/196
D699,170 S	*	2/2014	Okue	D12/184
D704,615 S	*	5/2014	Mueller	D12/196
D730,258 S	*	5/2015	Burki	D12/196
D741,761 S	*	10/2015	Mueller-Stolz	D12/184

D766,151 S	*	9/2016	Faghihzadeh	D12/196
D770,954 S	*	11/2016	Luk	D12/196
D777,634 S	*	1/2017	Faghihzadeh	D12/196
D820,755 S	*	6/2018	Luk	D12/196
D821,280 S	*	6/2018	Szavits	D12/196
D826,810 S	*	8/2018	Simm	D12/184

FOREIGN PATENT DOCUMENTS

WO	WO DM/069072	12/2007
WO	WO DM/076560	2/2012
WO	WO DM/096612	12/2017

* cited by examiner

Primary Examiner — Susan Bennett Hattan

Assistant Examiner — Suzanne E Tisdell

(74) *Attorney, Agent, or Firm* — Crowell & Moring LLP

(57) **CLAIM**

The ornamental design for a rear fender for a vehicle, as shown and described.

DESCRIPTION

This application contains subject matter related to the following co-pending U.S. design patent applications: Application Ser. No. 29/650,329, filed herewith and entitled "Rear Fender for a Vehicle"; Application Ser. No. 29/650,337, filed herewith and entitled "Vehicle, Toy, and/or Replicas Thereof"; and Application Ser. No. 29/650,338, filed herewith and entitled "Rear Fender for a Vehicle".

FIG. 1 is a front view of a rear fender for a vehicle according to the design;

FIG. 2 is a left, front perspective view thereof;

FIG. 3 is a right, front perspective view thereof;

FIG. 4 is a left side view thereof;

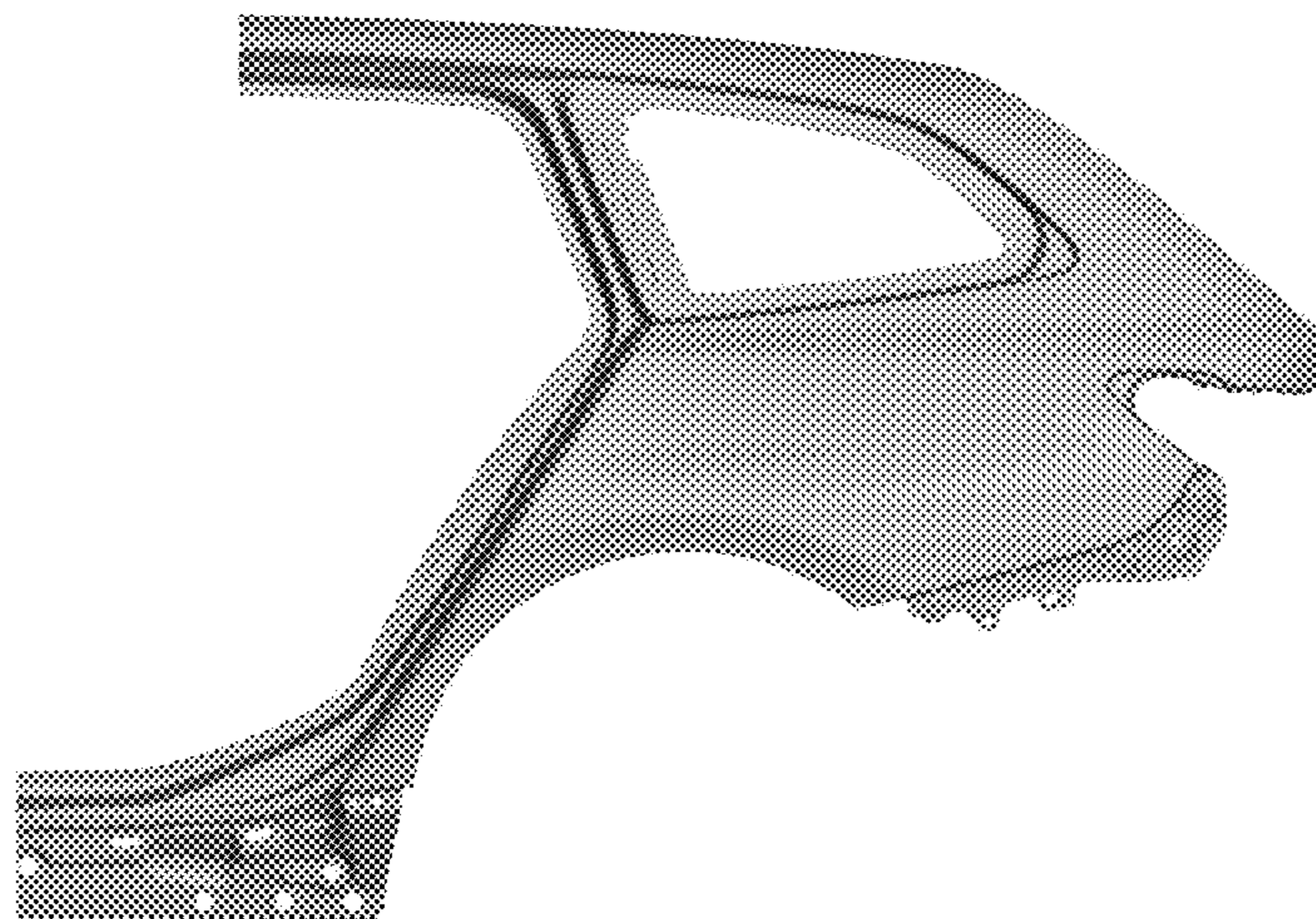
FIG. 5 is a right side view thereof;

FIG. 6 is a top view thereof;

FIG. 7 is a bottom view thereof; and,

FIG. 8 is a rear view thereof.

1 Claim, 8 Drawing Sheets



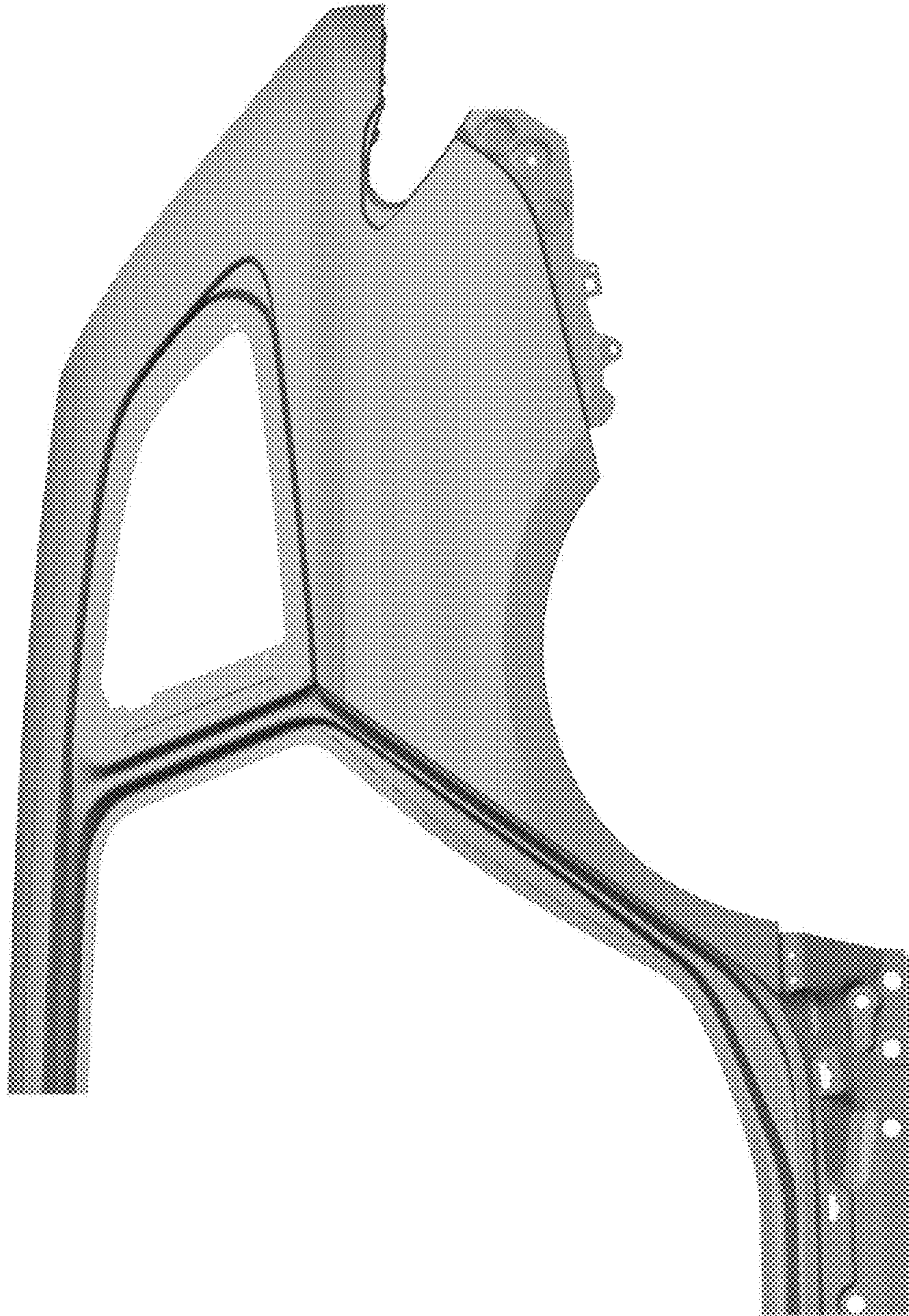


Fig. 1

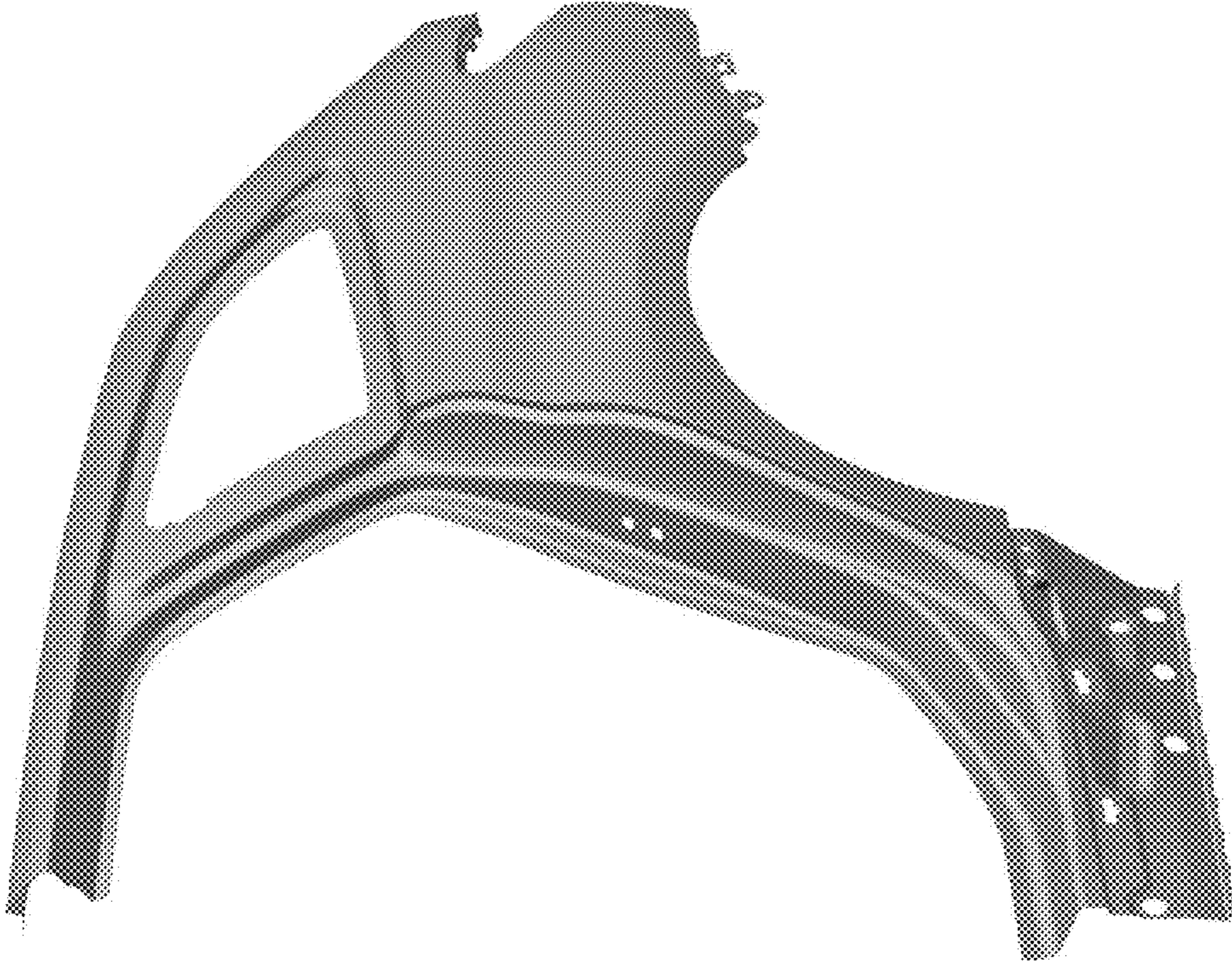


Fig. 2

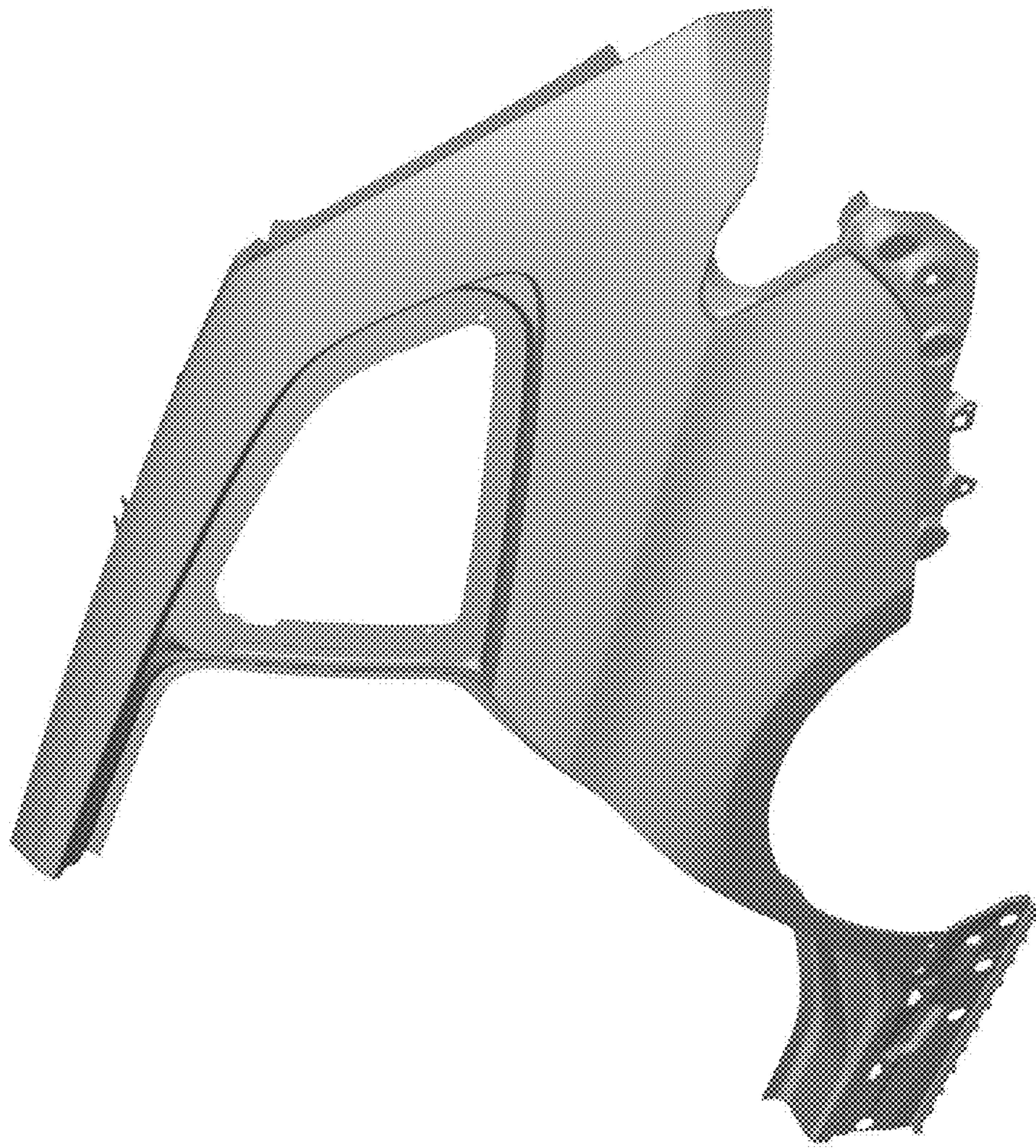


Fig. 3

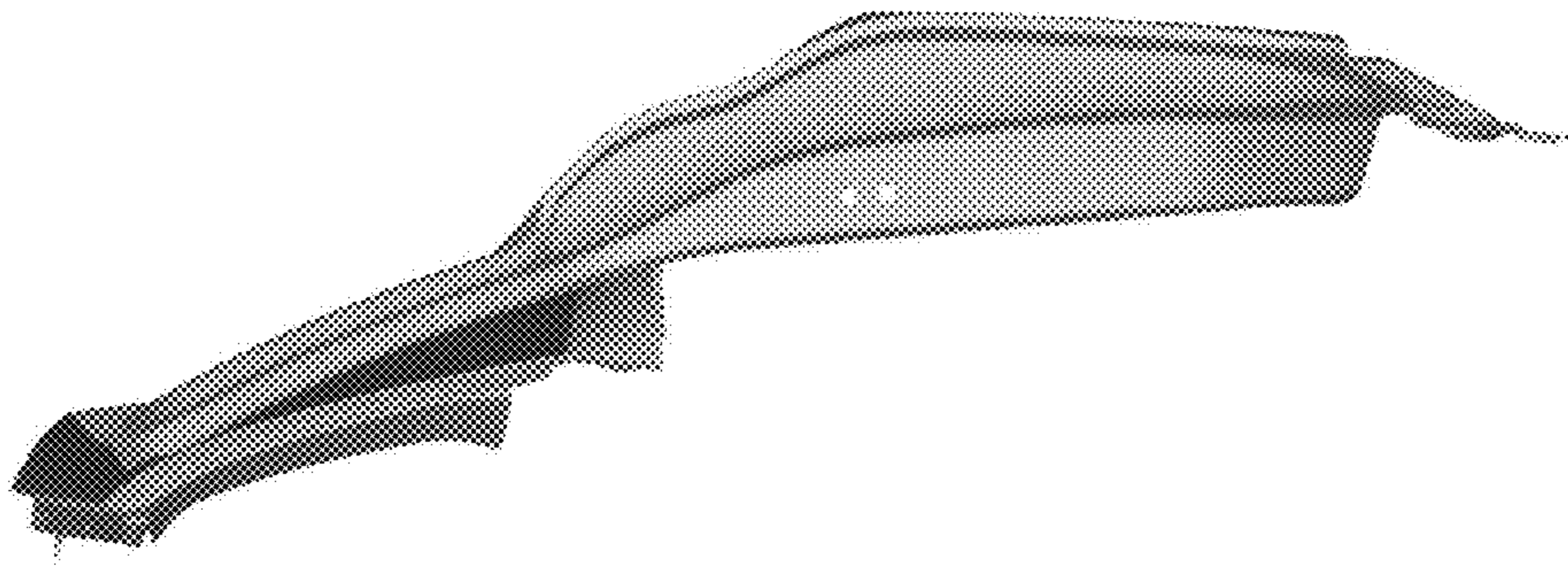


Fig. 4

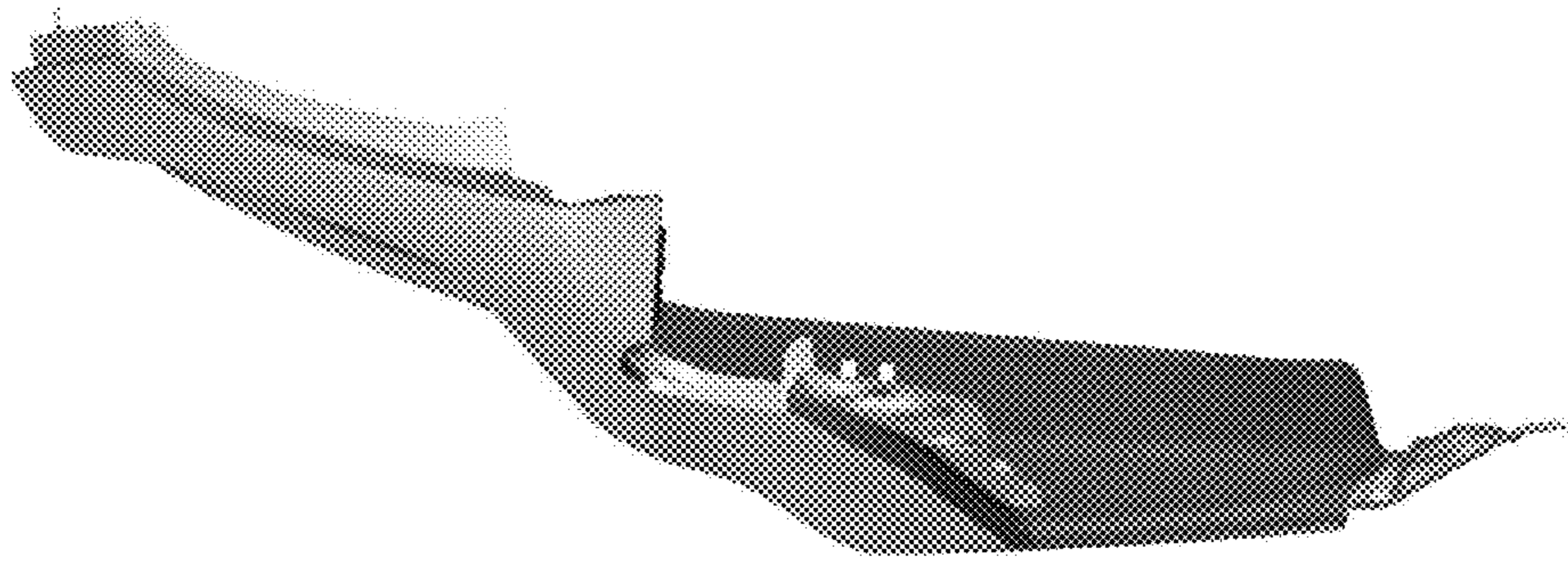


Fig. 5

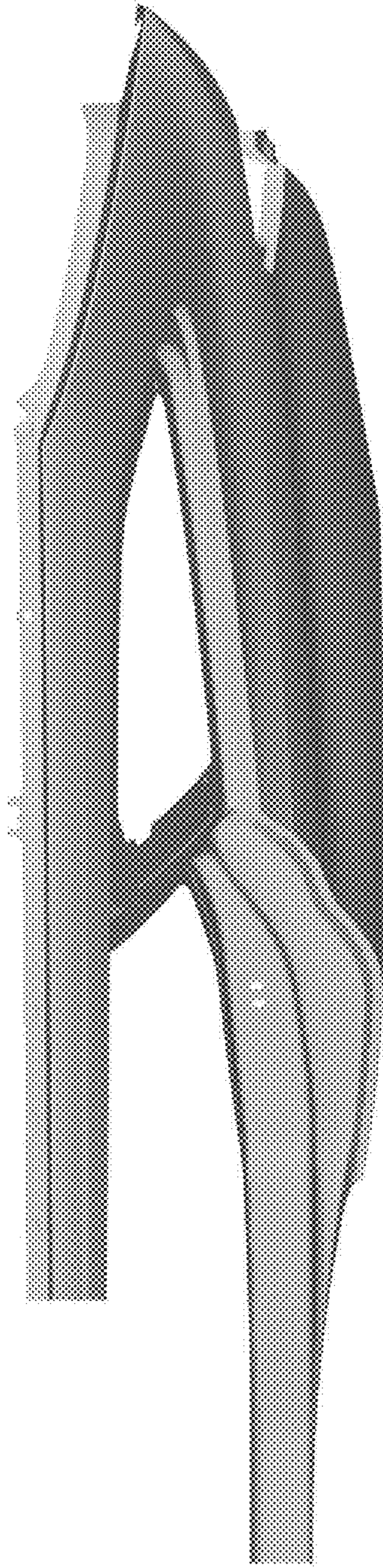


Fig. 6

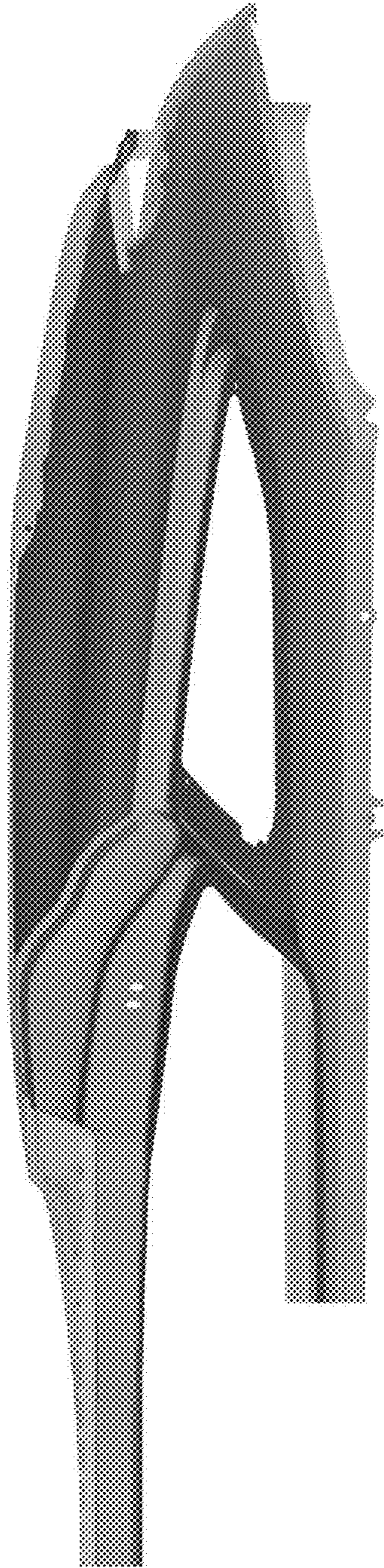


Fig. 7

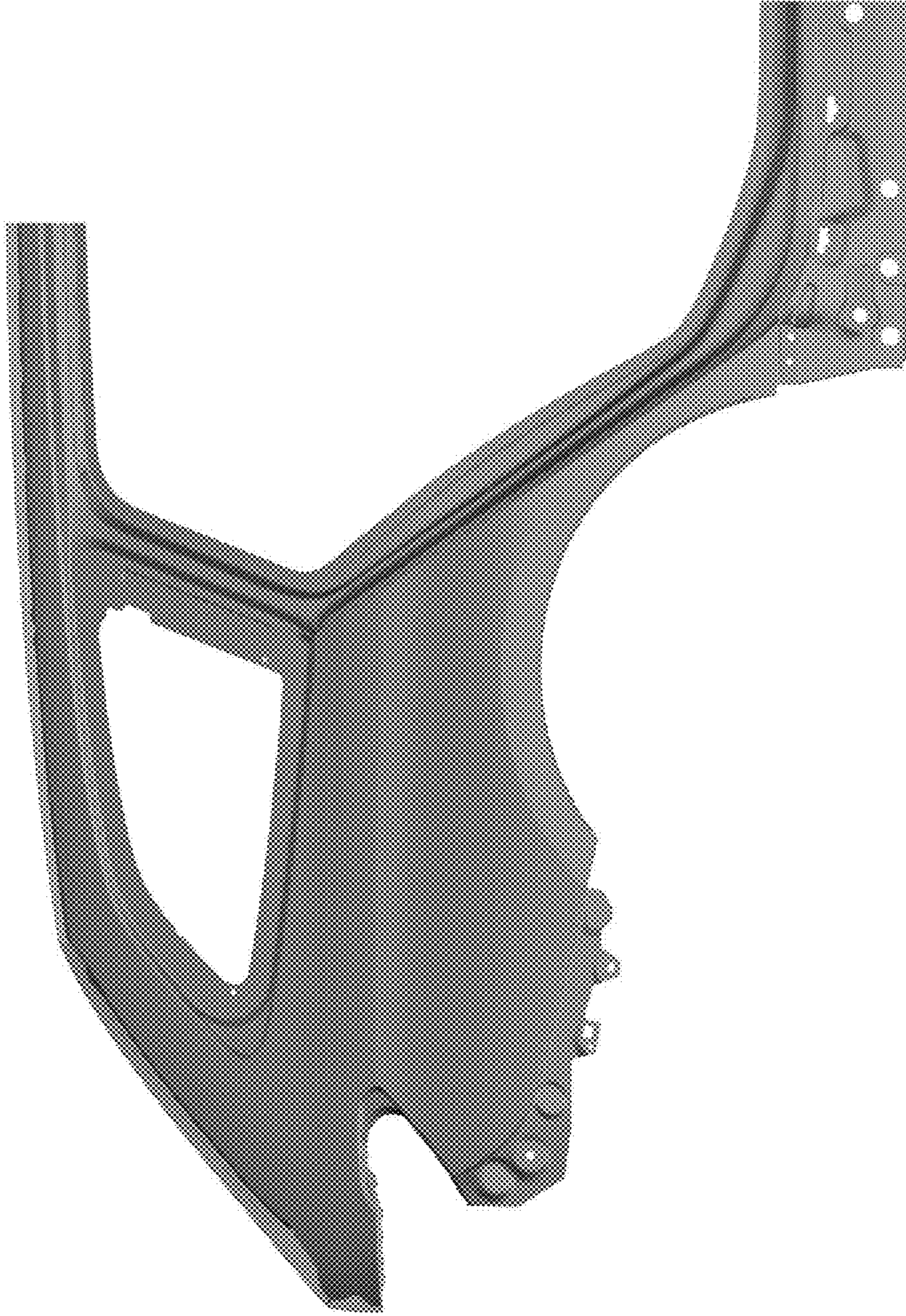


Fig. 8