



US00D859248S

(12) **United States Design Patent** (10) **Patent No.:** **US D859,248 S**
Wilkins et al. (45) **Date of Patent:** **** Sep. 10, 2019**

(54) **VEHICLE FRONT FENDER**
(71) Applicant: **GM GLOBAL TECHNOLOGY OPERATIONS LLC**, Detroit, MI (US)
(72) Inventors: **Benjamin Wilkins**, Royal Oak, MI (US); **Brian M. Izard**, Northville, MI (US)
(73) Assignee: **GM GLOBAL TECHNOLOGY OPERATIONS LLC**, Detroit, MI (US)
(**) Term: **15 Years**
(21) Appl. No.: **29/649,612**
(22) Filed: **May 31, 2018**
(51) **LOC (12) Cl.** **12-16**
(52) **U.S. Cl.**
USPC **D12/184**
(58) **Field of Classification Search**
USPC D12/114, 181, 184; D15/28
CPC B62D 25/16; B62D 25/18
See application file for complete search history.

(56) **References Cited**

U.S. PATENT DOCUMENTS

D570,742 S 6/2008 Takagi et al.
D592,105 S 5/2009 Dean et al.
D597,447 S 8/2009 Folden
D600,595 S 9/2009 Nakamura et al.
D601,925 S 10/2009 O'Donnell
D603,755 S 11/2009 Peters
D604,203 S 11/2009 O'Donnell
D605,082 S 12/2009 Munson
D605,083 S 12/2009 Manoogian, II et al.
D605,977 S 12/2009 Zipfel et al.
D605,978 S 12/2009 Wolff et al.
D608,249 S 1/2010 Peters
D608,690 S 1/2010 Folden et al.

D608,691 S 1/2010 Zak, Jr. et al.
D609,608 S 2/2010 Boniface et al.
D611,387 S 3/2010 Thompson et al.
D611,879 S 3/2010 Kim et al.
D612,297 S 3/2010 Peters et al.
D613,645 S 4/2010 Song et al.
D615,458 S 5/2010 Thompson et al.
D618,595 S 6/2010 Ware et al.
D623,090 S 9/2010 Cox et al.
D627,262 S 11/2010 Ikeda et al.
D635,488 S 4/2011 Phipps
D644,147 S 8/2011 Suh et al.
D644,567 S 9/2011 Kozub
D657,718 S 4/2012 Zipfel et al.
D659,052 S 5/2012 Ware et al.
D659,053 S 5/2012 Ware et al.
D668,182 S 10/2012 Barba Franco et al.
D668,183 S 10/2012 Smart
D678,820 S 3/2013 Son et al.
D678,821 S 3/2013 Ikeda et al.
D680,909 S 4/2013 Munson et al.
D680,910 S 4/2013 David

(Continued)

Primary Examiner — Susan Bennett Hattan
Assistant Examiner — Suzanne E Tisdell

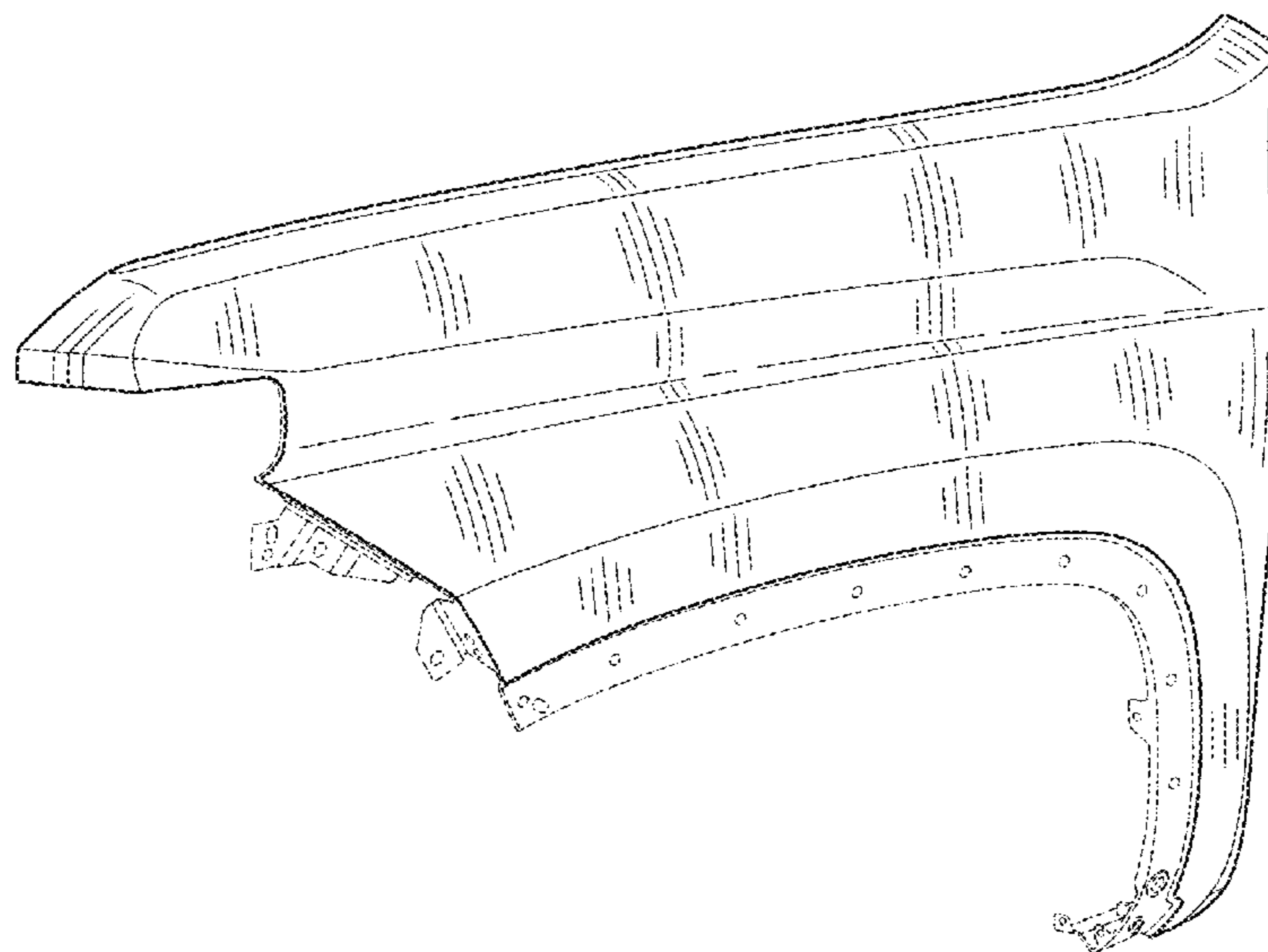
(57) **CLAIM**

The ornamental design for a vehicle front fender, as shown and described.

DESCRIPTION

FIG. 1 is a perspective view of a vehicle front fender; the fender shown is for mounting on the left side of a vehicle, the front fender for the right side of a vehicle is a mirror image thereof;
FIG. 2 is a front view thereof;
FIG. 3 is a side view thereof; and,
FIG. 4 is a top view thereof.
The broken lines in the drawings illustrate portions of the vehicle front fender that form no part of the claimed design.

1 Claim, 2 Drawing Sheets



(56)

References Cited

U.S. PATENT DOCUMENTS

D684,899 S	6/2013	Baker	
D686,536 S	7/2013	McCabe et al.	
D692,798 S	11/2013	Thurber	
D692,799 S	11/2013	Smith et al.	
D696,157 S	12/2013	Loeb	
D699,629 S	2/2014	Ikeda et al.	
D700,871 S	3/2014	O'Donnell et al.	
D703,103 S	4/2014	Lee	
D704,103 S	5/2014	Mack et al.	
D705,132 S	5/2014	Ware et al.	
D705,699 S	5/2014	Ware et al.	
D713,298 S	9/2014	Dyson	
D713,764 S	9/2014	Ferlazzo et al.	
D716,696 S	11/2014	Thole et al.	
D716,706 S	11/2014	Thole et al.	
D716,709 S	11/2014	Thole et al.	
D717,696 S	11/2014	Thole et al.	
D718,189 S	11/2014	Krieg et al.	
D718,683 S	12/2014	Thole et al.	
D722,282 S	2/2015	Loeb	
D722,533 S	2/2015	Thole et al.	
D722,534 S	2/2015	Munson et al.	
D724,510 S	3/2015	McMahan et al.	
D725,001 S	3/2015	McMahan et al.	
D726,591 S	4/2015	Jacob	
D730,776 S	6/2015	Smart	
D730,783 S	6/2015	Henriques et al.	
D732,427 S	6/2015	Loeb	
D732,429 S	6/2015	Loeb	
D732,430 S	6/2015	Loeb	
D732,431 S	6/2015	Loeb	
D732,432 S	6/2015	Aengenheyster	
D732,433 S	6/2015	Aengenheyster	
D732,435 S	6/2015	Mackay	
D733,002 S	6/2015	Loeb	
D735,611 S	8/2015	Aengenheyster	
D735,627 S	8/2015	Smith	
D736,451 S	8/2015	Smith	
D739,306 S	9/2015	McMahan et al.	
D739,317 S	9/2015	McMahan et al.	
D741,223 S	10/2015	Kim et al.	
D743,309 S	11/2015	Thole et al.	
D743,313 S	11/2015	Smith et al.	
D743,314 S	11/2015	Thole et al.	
D743,857 S	11/2015	McMahan et al.	
D744,158 S	11/2015	Willett et al.	
D745,086 S	12/2015	Finos et al.	
D745,719 S	12/2015	Boniface et al.	
D745,725 S	12/2015	McMahan et al.	
D745,726 S	12/2015	McMahan et al.	
D745,837 S	12/2015	Smith et al.	
D746,726 S	1/2016	Smith et al.	
D746,727 S	1/2016	Smith et al.	
D746,728 S	1/2016	Smith et al.	
D746,729 S	1/2016	Boniface et al.	
D746,730 S	1/2016	Kim et al.	
D747,514 S	1/2016	McMahan et al.	
D747,515 S	1/2016	McMahan et al.	
D747,819 S	1/2016	Thole et al.	
D749,021 S	2/2016	Boniface et al.	
D749,026 S	2/2016	Smith et al.	
D749,027 S	2/2016	McMahan et al.	
D749,246 S	2/2016	Thole et al.	
D749,249 S	2/2016	Thole et al.	
D749,250 S	2/2016	Thole et al.	
D749,985 S	2/2016	Kozub et al.	
D749,997 S	2/2016	McMahan et al.	
D750,001 S	2/2016	Thole et al.	
9,278,716 B1 *	3/2016	Joseph B62D 25/18	
D753,032 S	4/2016	Smith et al.	
D753,033 S	4/2016	Thole et al.	
D753,034 S	4/2016	Thole et al.	
D753,035 S	4/2016	Boniface et al.	
D753,559 S	4/2016	McMahan et al.	
D753,560 S	4/2016	McMahan et al.	
D753,567 S	4/2016	Boniface et al.	
D754,571 S	4/2016	Boniface et al.	
D754,572 S	4/2016	McMahan et al.	
D755,088 S	5/2016	McMahan et al.	
D756,869 S	5/2016	McMahan et al.	
D756,870 S *	5/2016	Tsutamori D12/184	
D758,271 S	6/2016	McMahan et al.	
D758,935 S *	6/2016	Platto D12/184	
D764,975 S	8/2016	Aengenheyster	
D764,976 S	8/2016	Aengenheyster	
9,403,557 B1 *	8/2016	Sharma C21D 1/06	
D767,449 S	9/2016	Pevovar et al.	
D767,450 S	9/2016	Lee et al.	
D767,451 S	9/2016	Kozub et al.	
D767,454 S	9/2016	McMahan et al.	
D767,458 S	9/2016	Kim	
D767,459 S	9/2016	Kim	
D767,460 S	9/2016	Kozub et al.	
D767,461 S	9/2016	Kozub et al.	
D771,528 S	11/2016	Smith et al.	
D771,529 S	11/2016	Thole et al.	
D771,532 S	11/2016	Kapitonov	
D771,533 S	11/2016	Kapitonov	
D772,766 S	11/2016	Kozub et al.	
D772,767 S	11/2016	Kim	
D773,084 S	11/2016	Kapitonov	
D773,086 S	11/2016	McCabe et al.	
9,487,238 B2 *	11/2016	Iwano B62D 25/025	
D774,226 S	12/2016	McCabe et al.	
D775,003 S	12/2016	Pevovar et al.	
D775,007 S	12/2016	Thole et al.	
D775,010 S	12/2016	Kim et al.	
D775,031 S *	12/2016	Frascella D12/184	
D775,049 S	12/2016	Scheer et al.	
D775,549 S	1/2017	Karras	
D775,554 S	1/2017	Kapitonov	
D776,020 S	1/2017	Kapitonov	
D776,581 S	1/2017	Pevovar et al.	
D776,583 S	1/2017	Scheer et al.	
D776,841 S	1/2017	Kozub et al.	
D776,843 S	1/2017	McCabe et al.	
D776,846 S	1/2017	Willett et al.	
D777,359 S	1/2017	Kozub et al.	
D777,360 S	1/2017	Kozub et al.	
D777,361 S	1/2017	Kozub et al.	
D777,604 S	1/2017	McNerney	
D777,605 S	1/2017	Ferlazzo et al.	
D777,620 S	1/2017	Pevovar et al.	
D777,621 S	1/2017	Kim	
D777,622 S	1/2017	Kozub et al.	
D777,628 S	1/2017	Kozub et al.	
D777,955 S	1/2017	Willett et al.	
D778,212 S	2/2017	Kozub et al.	
D778,215 S	2/2017	Kozub et al.	
D780,064 S	2/2017	Smith et al.	
D780,067 S	2/2017	Zipfel et al.	
D780,068 S	2/2017	Whitla et al.	
D780,077 S	2/2017	Kim et al.	
D780,081 S	2/2017	Lee	
D780,084 S	2/2017	Scheer et al.	
D780,631 S	3/2017	Kozub et al.	
D780,644 S	3/2017	Kim et al.	
D781,184 S	3/2017	Thole et al.	
D781,192 S	3/2017	Kozub et al.	
D782,379 S	3/2017	Wassell	
D783,482 S	4/2017	Smith et al.	
D784,213 S	4/2017	Karras	
D784,223 S	4/2017	Lee	
D784,226 S	4/2017	Cheng	
D784,579 S	4/2017	Cheng et al.	
D784,877 S	4/2017	Lee	
D784,886 S	4/2017	Smith et al.	
D785,521 S	5/2017	Smith et al.	
D786,149 S	5/2017	Pevovar et al.	
D786,743 S	5/2017	Smith et al.	
D786,750 S	5/2017	Lee	
D787,395 S *	5/2017	Curic D12/181	
D787,446 S	5/2017	Cockerill	
D787,984 S	5/2017	Fang	

(56)

References Cited

U.S. PATENT DOCUMENTS

D787,988 S	5/2017	Lee	D802,496 S	11/2017	Mainville
D787,989 S	5/2017	Kozub et al.	D802,502 S	11/2017	McMahan
D787,990 S	5/2017	Kozub et al.	D803,119 S	* 11/2017	Beermann D12/184
D787,992 S	5/2017	Lee	D803,727 S	11/2017	Noone et al.
D787,993 S	5/2017	McCabe et al.	D803,731 S	11/2017	Zipfel
D788,001 S	5/2017	Lee	D803,741 S	* 11/2017	Tsubaki D12/184
D788,641 S	6/2017	Arnold	D804,370 S	12/2017	Kozub et al.
D788,644 S	6/2017	Mueller	D804,371 S	12/2017	Whitla et al.
D788,645 S	6/2017	Mueller	D804,372 S	12/2017	Kozub
D789,250 S	6/2017	Arnold	D804,378 S	12/2017	Perkins
D789,260 S	6/2017	Smith	D804,379 S	12/2017	McMahan
D789,575 S	6/2017	Willett	D805,006 S	12/2017	Nakamura
D789,841 S	6/2017	Lee	D805,013 S	* 12/2017	Whitla D12/181
D789,849 S	6/2017	Lee	D805,014 S	12/2017	Zipfel
9,669,876 B2 *	6/2017	Iwano B62D 25/04	D805,441 S	12/2017	Karras
D791,018 S	7/2017	Mylenek	D805,964 S	12/2017	Whitla
D791,644 S	7/2017	Fang	D805,965 S	12/2017	Davis
D792,290 S	7/2017	Smith et al.	D805,966 S	12/2017	Perkins
D792,293 S	7/2017	McCabe et al.	D805,985 S	12/2017	Nakamura
D792,294 S	7/2017	McCabe et al.	D806,622 S	* 1/2018	Granlund D12/184
D792,295 S	7/2017	McCabe et al.	D807,232 S	1/2018	Bailie
D792,815 S	7/2017	Kozub	D807,239 S	1/2018	Perkins
D792,816 S	7/2017	Kozub	D807,240 S	1/2018	Perkins
D793,290 S	8/2017	Kozub	D807,241 S	1/2018	Perkins
D793,292 S	8/2017	Lee	D807,261 S	* 1/2018	Zavatski D12/184
D793,293 S	8/2017	Lee et al.	D809,442 S	2/2018	Zipfel et al.
D793,294 S	8/2017	Lee	D811,269 S	2/2018	Thompson et al.
D793,295 S	8/2017	McCabe et al.	9,890,966 B2 *	2/2018	Mueller B62D 25/16
D793,296 S	8/2017	Smith et al.	D811,942 S	3/2018	Jacob
D793,297 S	8/2017	Smith et al.	D811,957 S	3/2018	Whitla et al.
D793,299 S	8/2017	Kreig et al.	D811,958 S	3/2018	Zipfel et al.
D793,300 S	8/2017	Kreig et al.	D811,959 S	3/2018	Perkins
D793,301 S	8/2017	Kozub	D811,960 S	3/2018	Nakamura
D793,302 S	8/2017	Kozub	D811,961 S	3/2018	Sullivan
D793,311 S	8/2017	Whitla et al.	D811,962 S	3/2018	Sullivan
D793,590 S	8/2017	Kozub et al.	D811,963 S	3/2018	Sullivan
D793,591 S	8/2017	Kozub et al.	D811,964 S	3/2018	Perkins
D793,917 S	8/2017	Kozub	D811,965 S	3/2018	Moffett et al.
D793,918 S	8/2017	Kozub	D812,525 S	3/2018	Lee
D794,229 S	8/2017	Barry	D812,526 S	3/2018	Zipfel et al.
D794,230 S	8/2017	Kozub	D812,527 S	3/2018	Perkins
D795,747 S	8/2017	Bailie	D812,528 S	3/2018	Nakamura
D795,757 S	8/2017	Pevovar et al.	D813,098 S	3/2018	Thompson et al.
D795,758 S	8/2017	Karras	D813,109 S	3/2018	Zipfel et al.
D795,759 S	8/2017	Kozub et al.	D813,110 S	3/2018	Whitla et al.
D795,760 S	8/2017	Kozub et al.	D813,111 S	3/2018	Sullivan
D795,762 S	8/2017	Lee	D813,116 S	3/2018	Park
D795,763 S	8/2017	Kozub	D813,117 S	3/2018	Sullivan
D796,088 S	8/2017	McCabe et al.	D813,121 S	3/2018	Swanseger
D796,093 S	8/2017	Mainville	D813,730 S	3/2018	Zipfel et al.
9,738,322 B2 *	8/2017	Matthiessen B62D 25/02	D813,731 S	3/2018	McMahan
D796,390 S	9/2017	Pevovar et al.	D813,732 S	3/2018	Whitla et al.
D797,537 S	9/2017	Cooper et al.	D813,733 S	3/2018	Lee
D797,603 S	9/2017	Noone et al.	D813,734 S	3/2018	Nakamura
D797,614 S	9/2017	Lee	D813,740 S	3/2018	Park
D797,616 S	9/2017	Lee	D813,741 S	3/2018	Perkins
D797,624 S	9/2017	Nakamura	D813,742 S	3/2018	McMahan et al.
D797,625 S	9/2017	Perkins	D813,743 S	3/2018	Lee
D797,631 S	9/2017	Pevovar et al.	D813,744 S	3/2018	Whitla et al.
D797,632 S	9/2017	Zipfel et al.	D813,748 S	3/2018	Kim
D797,967 S	9/2017	Barry	D813,753 S	3/2018	Loeb
D797,970 S	9/2017	Mainville	D813,754 S	3/2018	Loeb
D797,971 S	9/2017	Mainville	D813,755 S	3/2018	Loeb
D797,972 S	9/2017	Whitla et al.	D813,756 S	3/2018	Loeb
D798,204 S	9/2017	Mainville	D813,757 S	3/2018	Kozub
D799,384 S	10/2017	Kozub et al.	D813,758 S	3/2018	Gonzales
D799,385 S	10/2017	Kozub et al.	D813,759 S	3/2018	Perkins
D799,386 S	10/2017	Kozub et al.	D814,369 S	4/2018	Loeb
D799,728 S	10/2017	Whitla et al.	D814,982 S	4/2018	Whitla et al.
D801,236 S	10/2017	Kozub et al.	D814,983 S	4/2018	Whitla et al.
D801,577 S	10/2017	Ruiz	D815,570 S	4/2018	McMahan et al.
D801,882 S	11/2017	Kozub et al.	D815,572 S	4/2018	Perkins
D802,205 S	11/2017	Ruiz	D815,573 S	4/2018	Whitla et al.
D802,478 S	11/2017	Perkins	D815,574 S	4/2018	Mainville
D802,491 S	11/2017	Mainville	D815,993 S	4/2018	Kozub et al.
			D815,994 S	4/2018	Nakamura
			D816,003 S	4/2018	Perkins
			D816,558 S	5/2018	McMahan et al.
			D816,559 S	5/2018	McMahan et al.

(56)

References Cited

U.S. PATENT DOCUMENTS

D816,561	S	5/2018	McMahan	
D816,562	S	5/2018	Whitla et al.	
D816,563	S	5/2018	McMahan et al.	
D816,564	S	5/2018	Kim	
D816,565	S	5/2018	Kim	
D816,566	S	5/2018	Loeb	
D817,829	S *	5/2018	Behmer	D12/184
D820,751	S *	6/2018	Luk	D12/184
D823,741	S *	7/2018	Kim	D12/169
10,023,241	B2 *	7/2018	Umemoto	B62D 25/161
10,035,543	B2 *	7/2018	Sato	B60J 5/0444
D826,811	S *	8/2018	Lim	D12/184
D827,527	S *	9/2018	Loeb	D12/184
D827,528	S *	9/2018	Gueler	D12/184
D827,529	S *	9/2018	Al Attar	D12/184
D828,254	S *	9/2018	Simm	D12/184
10,077,085	B2 *	9/2018	Pfaffelhuber	B62D 27/02

* cited by examiner

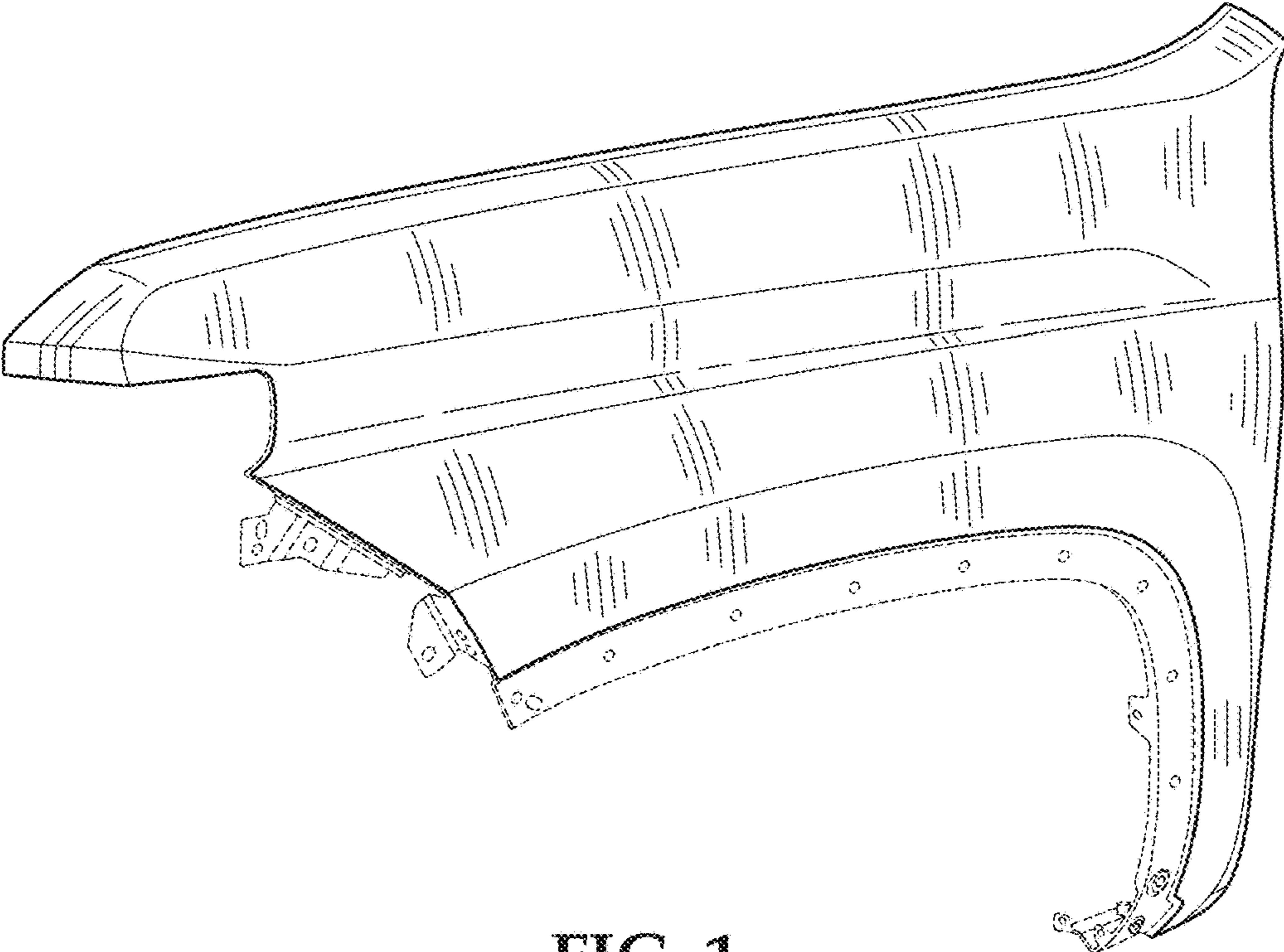


FIG. 1

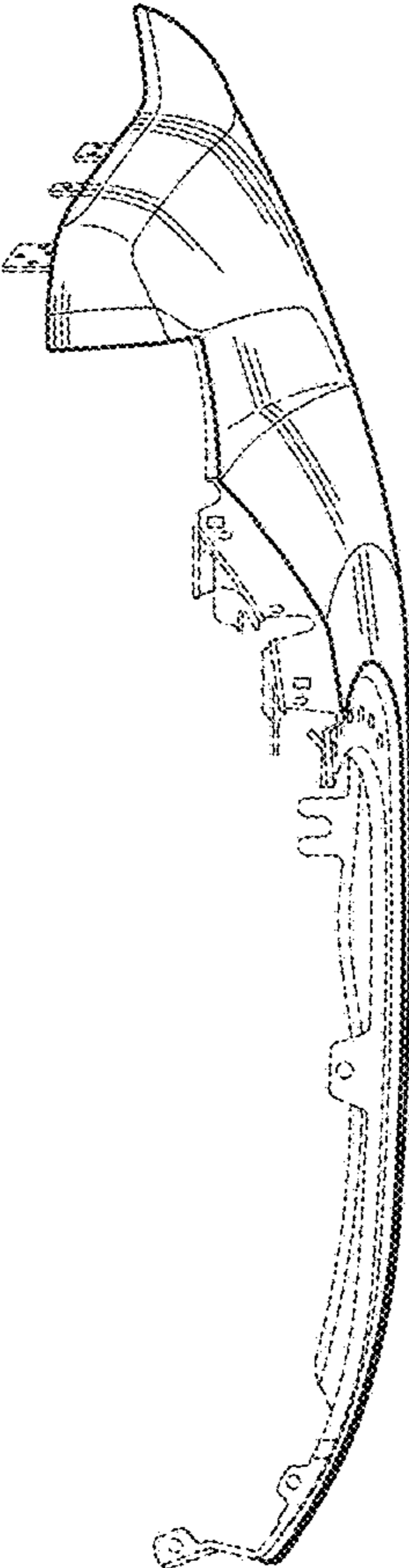


FIG. 2

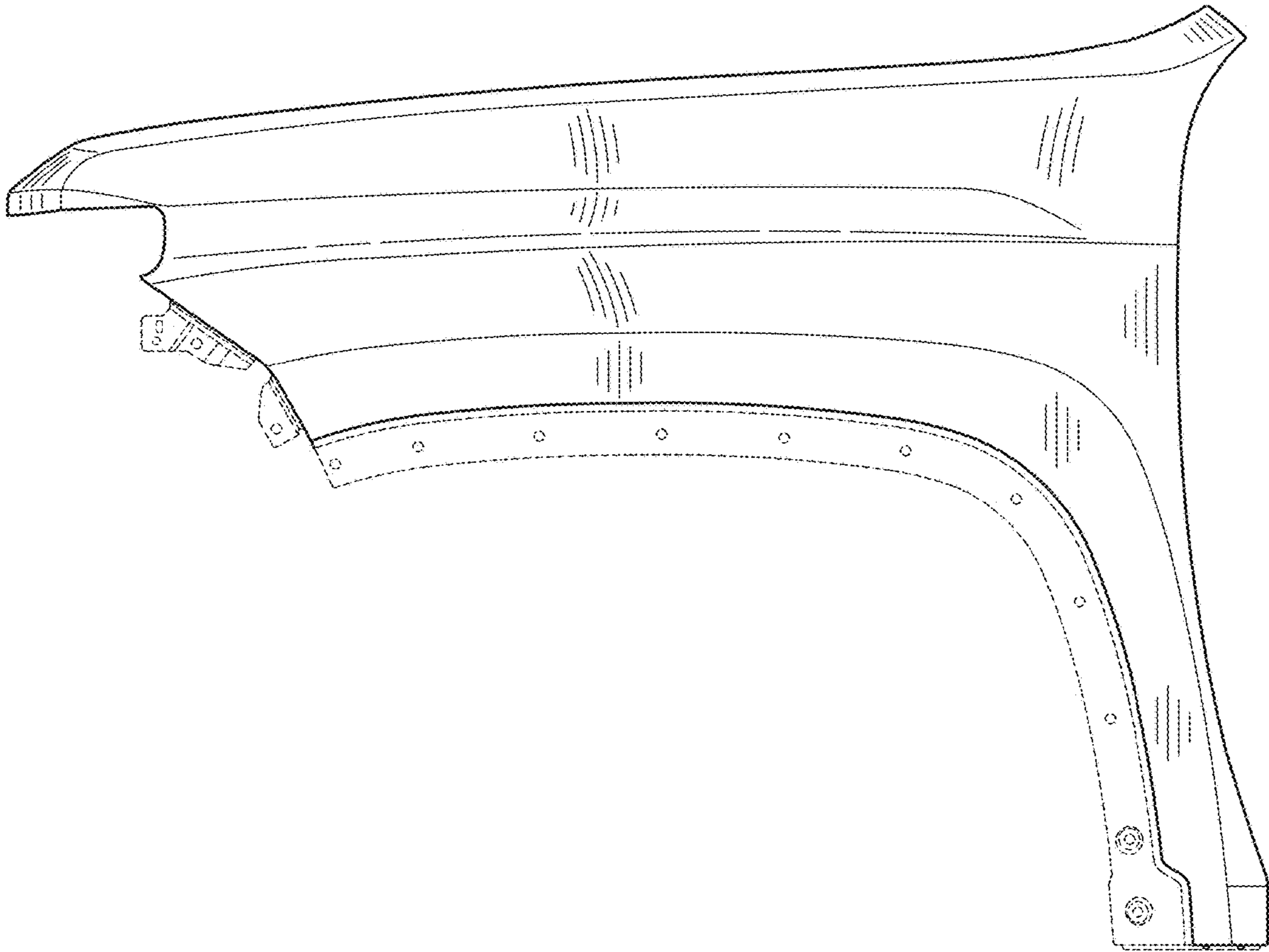


FIG. 3

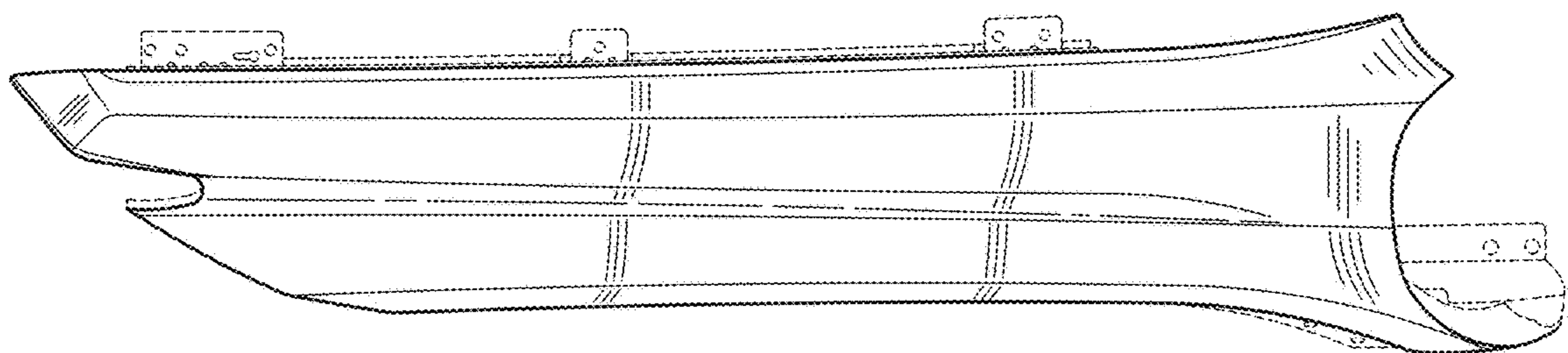


FIG. 4