



US00D859247S

(12) **United States Design Patent**
DiCanzio

(10) **Patent No.:** **US D859,247 S**

(45) **Date of Patent:** **** Sep. 10, 2019**

(54) **REAR SPOILER**

D727,809 S * 4/2015 Scheinhutte D12/181
D828,251 S * 9/2018 Varga D12/181
D846,463 S * 4/2019 Wheel D12/181

(71) Applicant: **Turn 5, Inc.**, Paoli, PA (US)

* cited by examiner

(72) Inventor: **Michael DiCanzio**, West Chester, PA (US)

Primary Examiner — Abraham Bahta

(73) Assignee: **Turn 5, Inc.**, Paoli, PA (US)

(74) *Attorney, Agent, or Firm* — Schott, P.C.

(**) Term: **15 Years**

(21) Appl. No.: **29/647,047**

(57) **CLAIM**

(22) Filed: **May 9, 2018**

The ornamental design for the rear spoiler, as shown and described.

(51) **LOC (12) Cl.** **12-16**

(52) **U.S. Cl.**

USPC **D12/181**

(58) **Field of Classification Search**

USPC D12/190, 192, 181, 415, 196, 317, 400,
D12/404, 173, 126, 167, 169, 203, 414,
D12/86, 171, 110, 114; 180/90;
280/750, 751, 752, 740, 743.1, 741, 848,
280/851; 296/191

CPC . B60R 2013/0293; B60R 13/02; B60R 13/04;
B60R 21/20206; B60R 21/205; B60J
10/35; B60J 10/011; B60J 10/02; B60K
37/02; B60K 37/04; B62D 25/14

See application file for complete search history.

DESCRIPTION

FIG. 1 is a perspective view of the rear spoiler of the present invention;

FIG. 2 is a top view thereof;

FIG. 3 is a bottom view thereof;

FIG. 4 is a front view thereof;

FIG. 5 is a rear side view thereof;

FIG. 6 is a left side view thereof, inverted;

FIG. 7 is a right side view thereof; and,

FIG. 8 is a perspective view thereof in a potential environment.

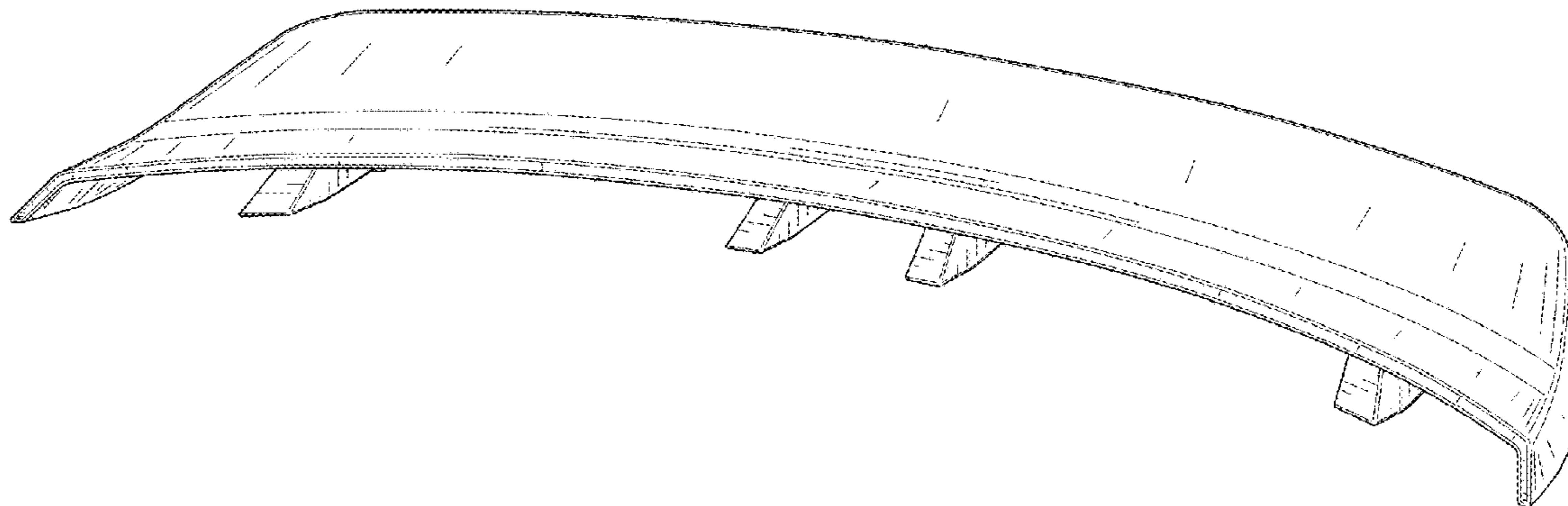
The broken line showing of a vehicle is included for the purpose of illustrating environmental structure and forms no part of the claimed design.

(56) **References Cited**

U.S. PATENT DOCUMENTS

D277,182 S * 1/1985 Matsuda D14/239
D656,439 S * 3/2012 Saracoglu D12/181

1 Claim, 6 Drawing Sheets



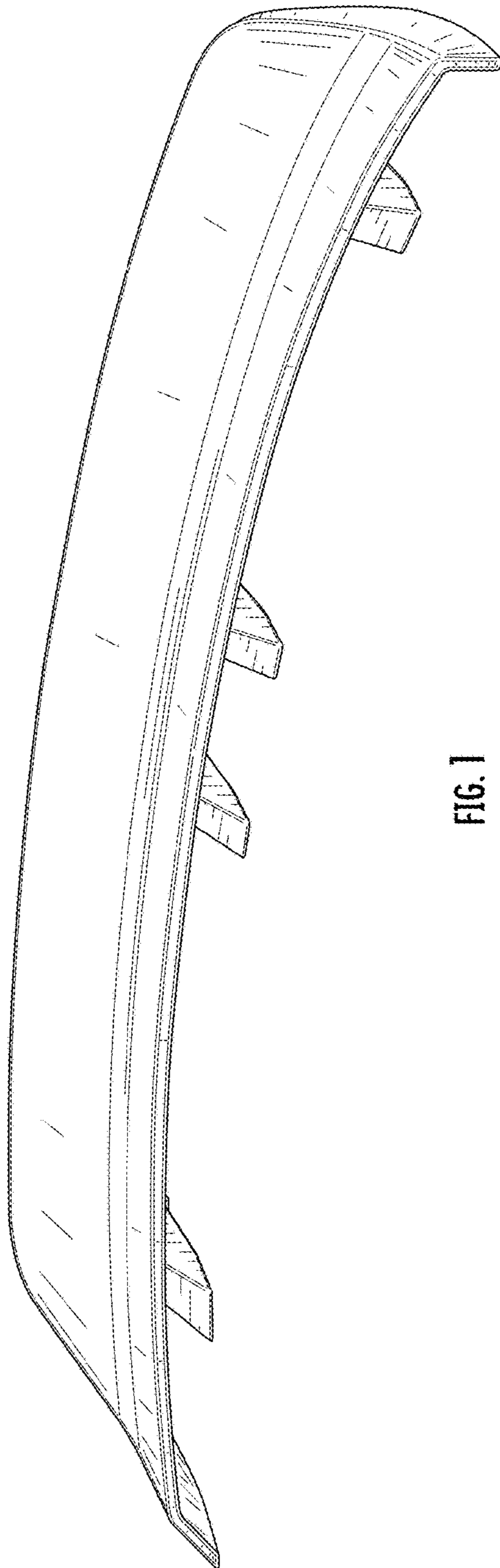


FIG. 1

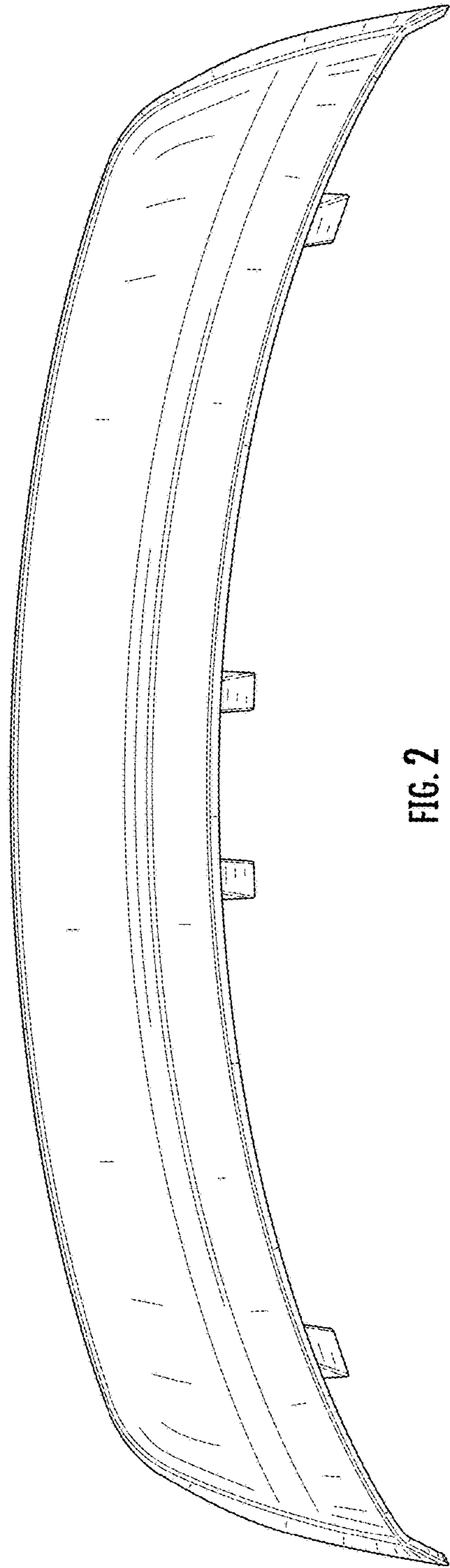


FIG. 2

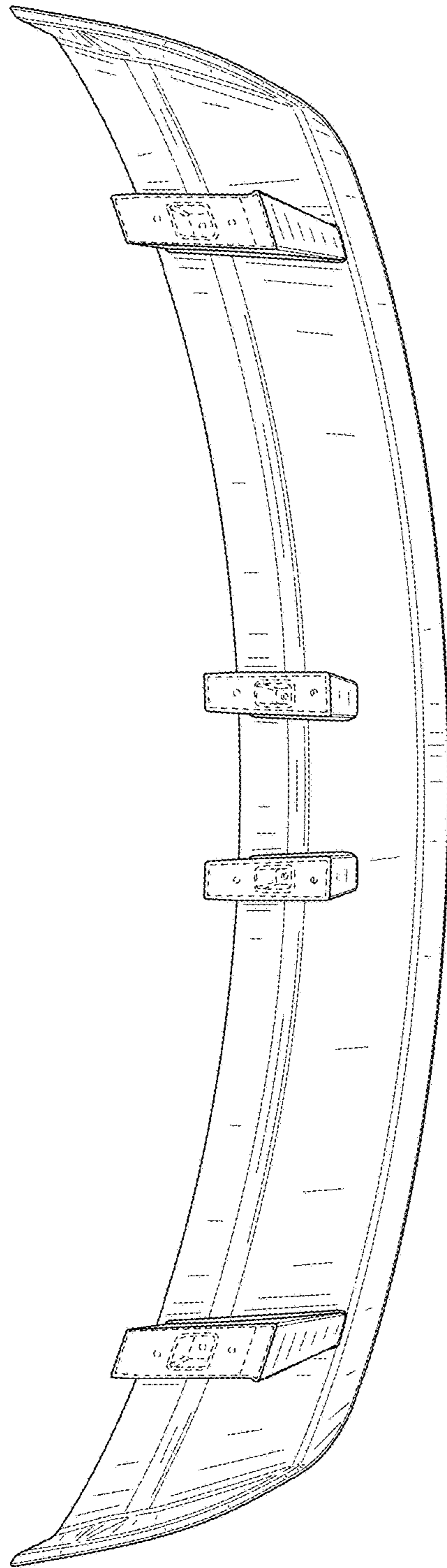


FIG. 3

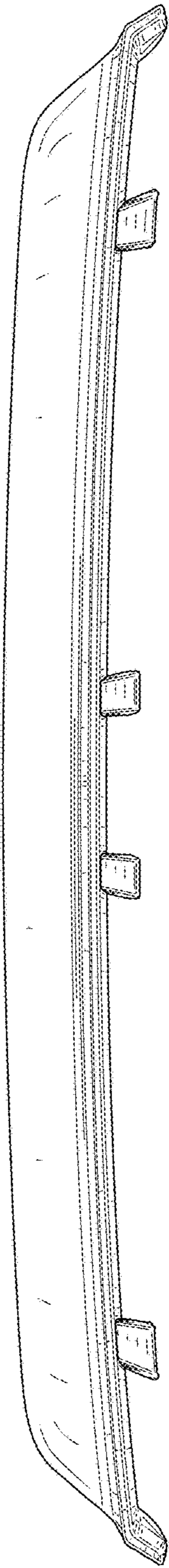


FIG. 4

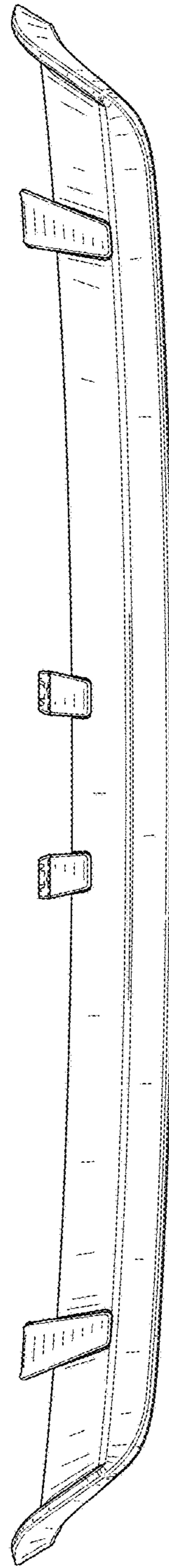


FIG. 5



FIG. 6

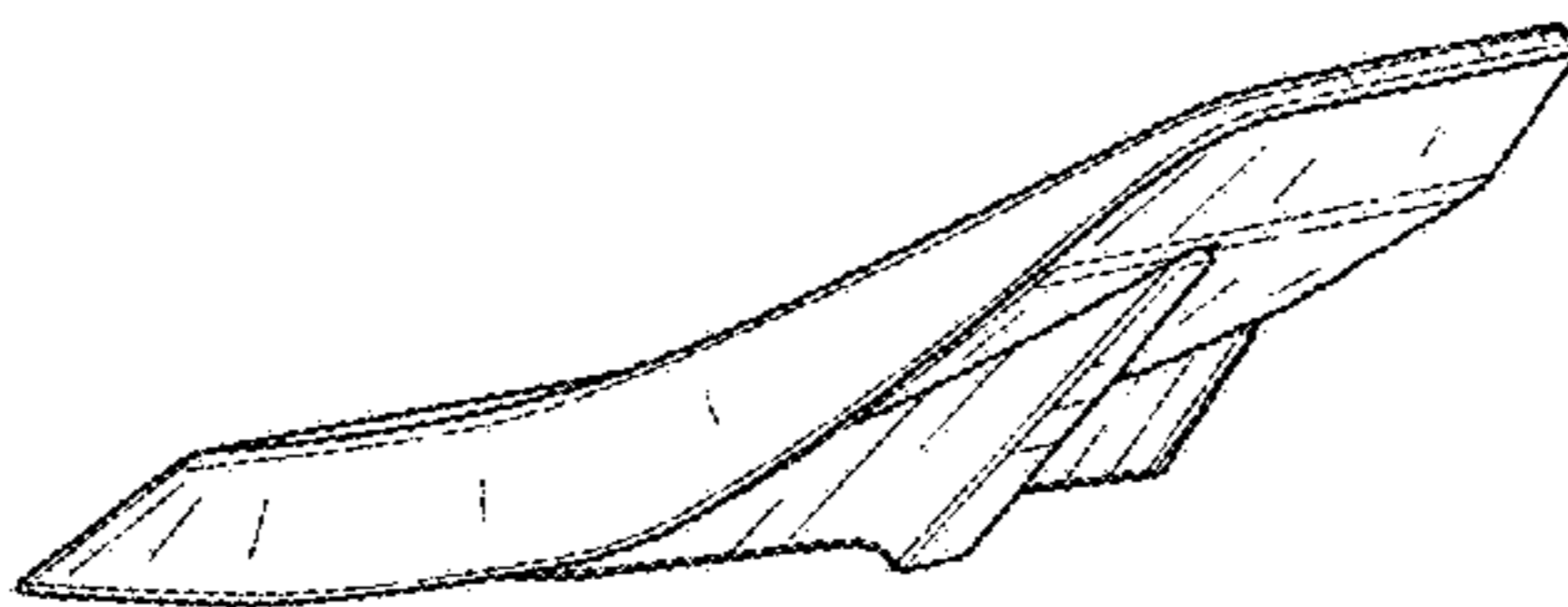


FIG. 7

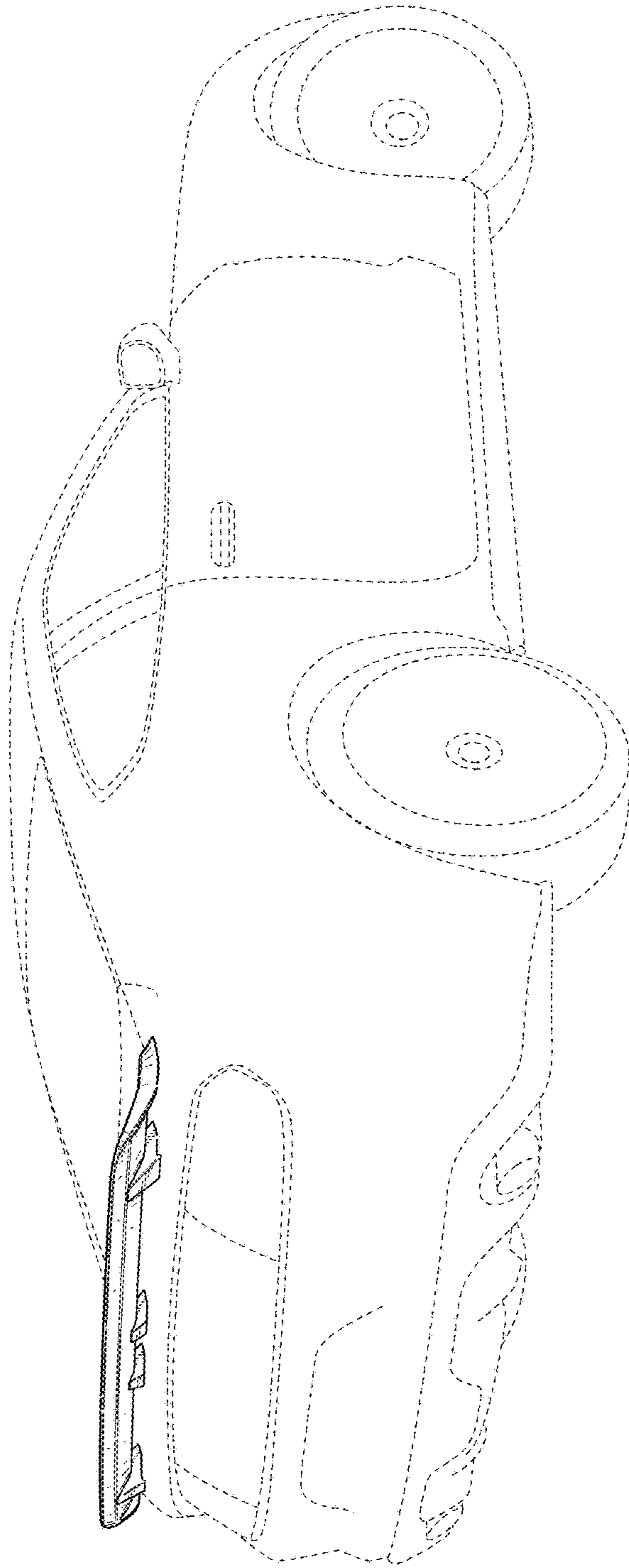


FIG. 8