



US00D859245S

(12) **United States Design Patent**
Tseng

(10) **Patent No.:** **US D859,245 S**

(45) **Date of Patent:** **** Sep. 10, 2019**

(54) **GOLF CART TURN SIGNAL SWITCH**

(71) Applicant: **Chia-Hsi Tseng**, Tainan (TW)

(72) Inventor: **Chia-Hsi Tseng**, Tainan (TW)

(**) Term: **15 Years**

(21) Appl. No.: **29/623,851**

(22) Filed: **Oct. 27, 2017**

(51) **LOC (12) Cl.** **12-16**

(52) **U.S. Cl.**
USPC **D12/174**

(58) **Field of Classification Search**
USPC D12/16, 174, 177
CPC B60Q 1/1476; B60Q 1/0082
See application file for complete search history.

(56) **References Cited**

U.S. PATENT DOCUMENTS

- 6,234,044 B1 * 5/2001 Slon B60K 20/06
277/634
- 6,300,852 B1 * 10/2001 Kato B60Q 1/1469
200/327
- 6,462,289 B1 * 10/2002 Kubota B60Q 1/1469
200/61.27

- D615,466 S * 5/2010 Domin D12/177
- D702,604 S * 4/2014 Edwards D12/179
- 2005/0274217 A1 * 12/2005 Dubay B60K 20/06
74/473.12
- 2018/0264996 A1 * 9/2018 Gudimalla B60Q 1/1476

* cited by examiner

Primary Examiner — Michael A. Pratt

(74) *Attorney, Agent, or Firm* — Rosenberg, Klein & Lee

(57) **CLAIM**

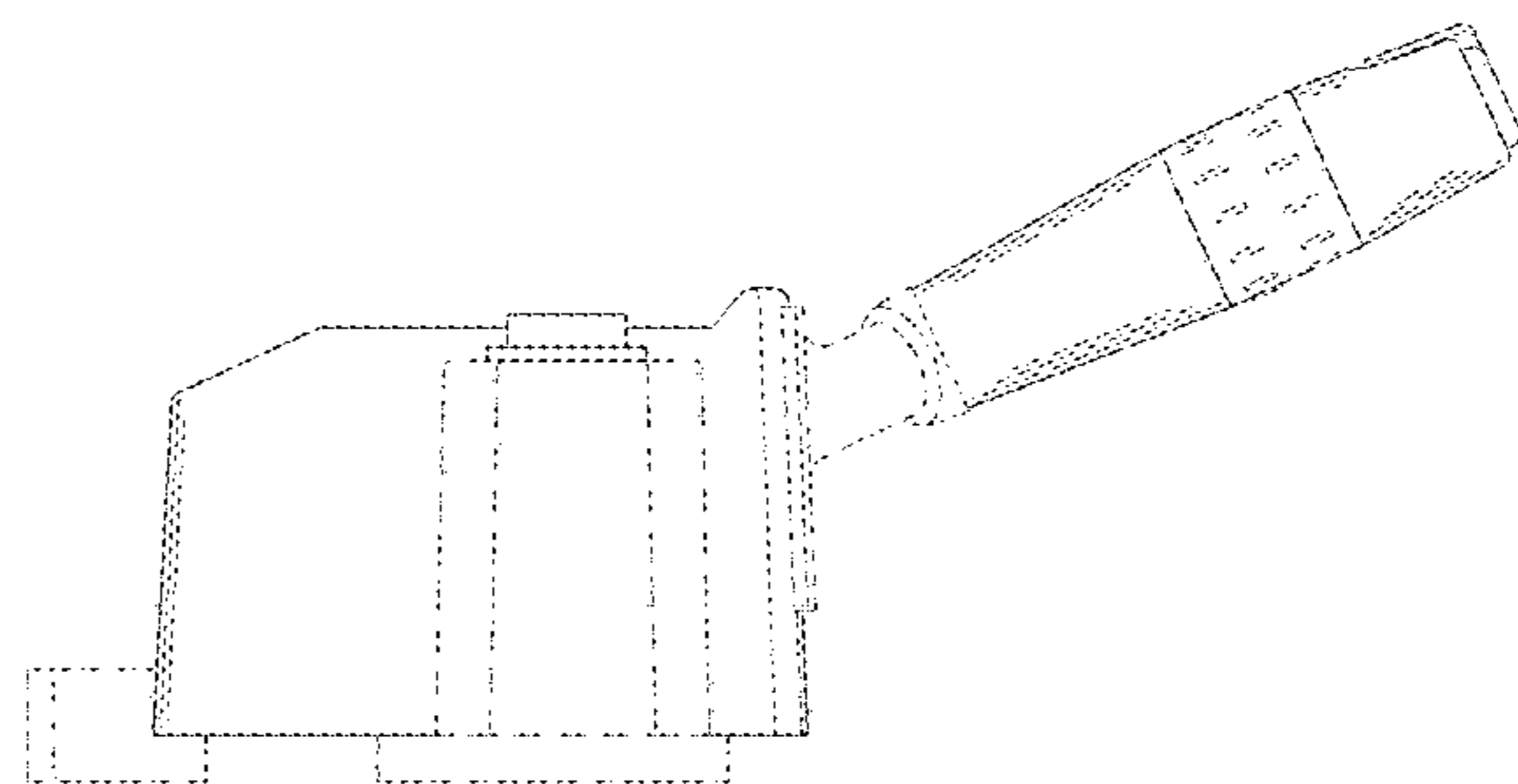
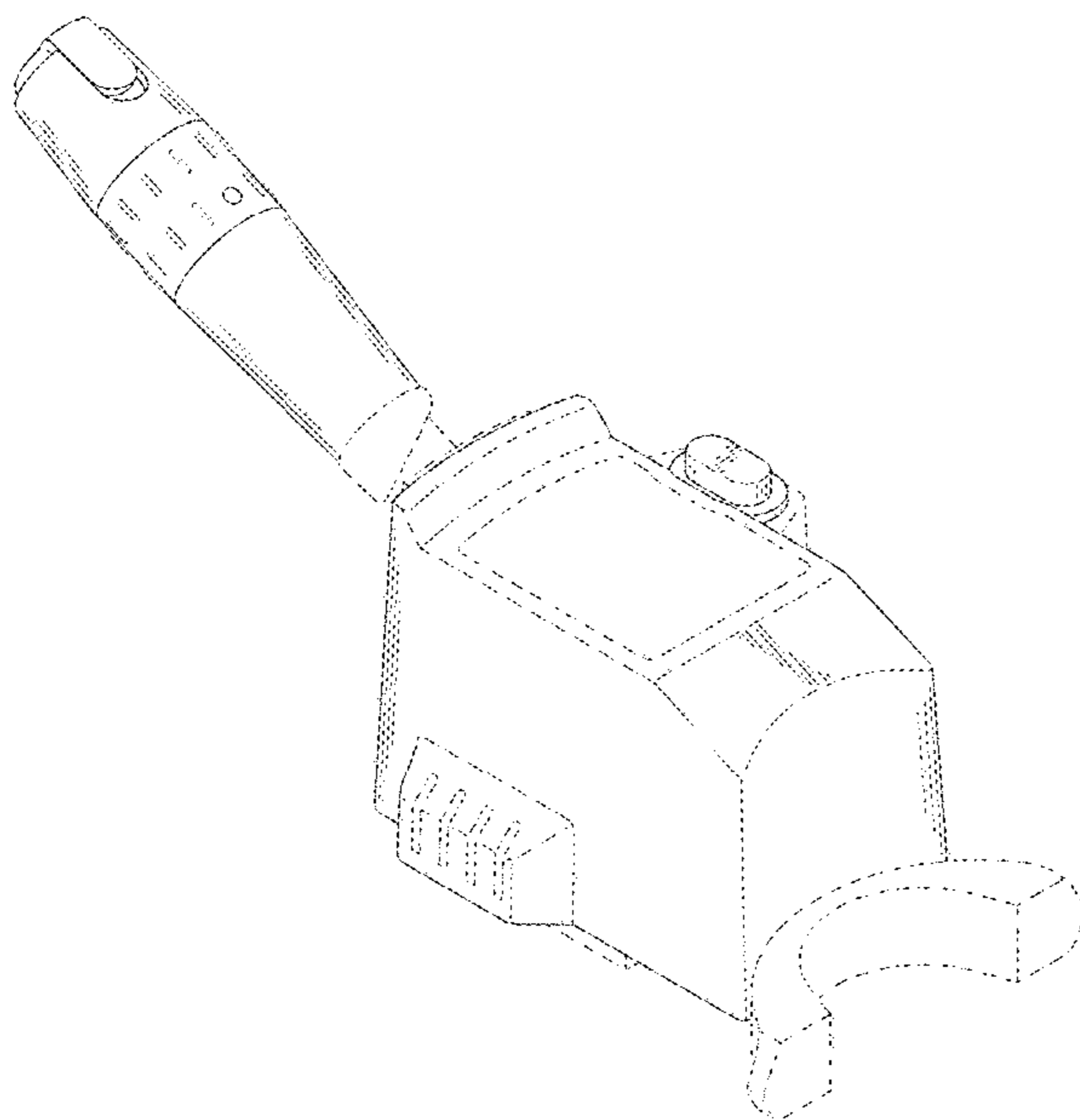
The ornamental design for a golf cart turn signal switch, as shown and described.

DESCRIPTION

FIG. 1 is a perspective view of a golf cart turn signal switch showing my new design;
 FIG. 2 is a front elevational view thereof;
 FIG. 3 is a rear elevational view thereof;
 FIG. 4 is a left side elevational view thereof;
 FIG. 5 is a right side elevational view thereof;
 FIG. 6 is a top plan view thereof; and,
 FIG. 7 is a bottom plan view thereof.

The broken lines shown in the figures are included for illustrating unclaimed portions of the golf cart turn signal switch and form no part of the claimed design.

1 Claim, 7 Drawing Sheets



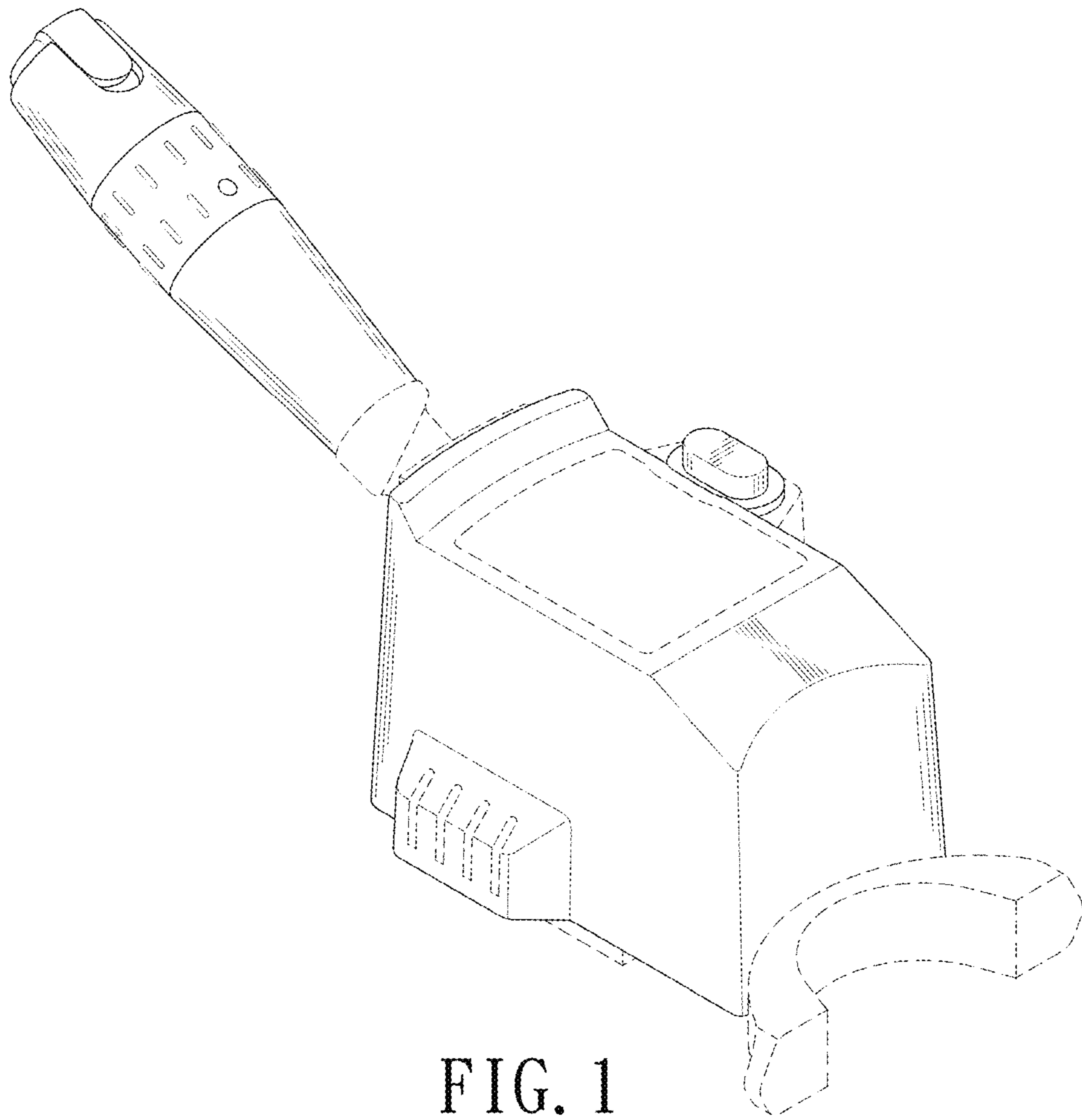


FIG. 1

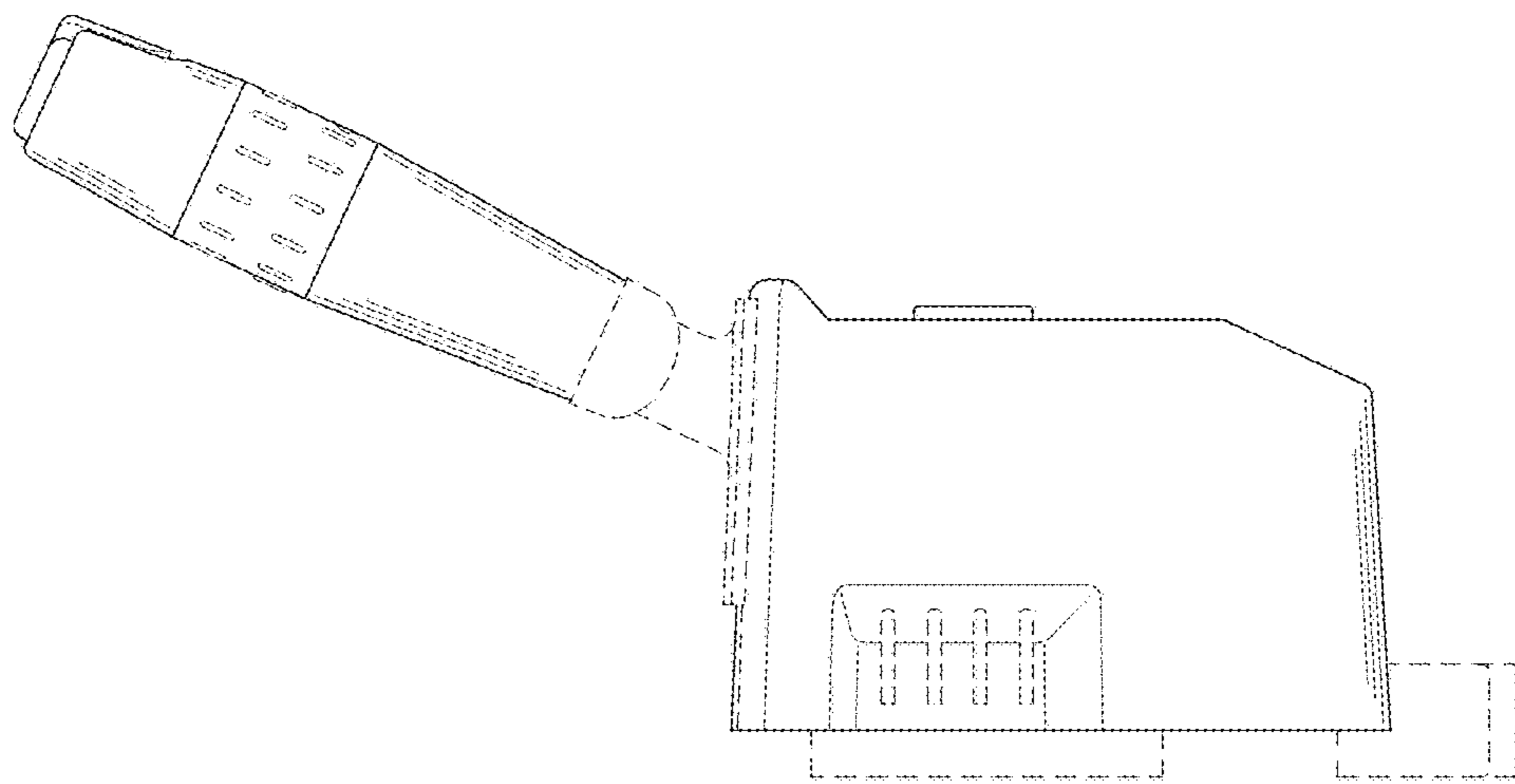


FIG. 2

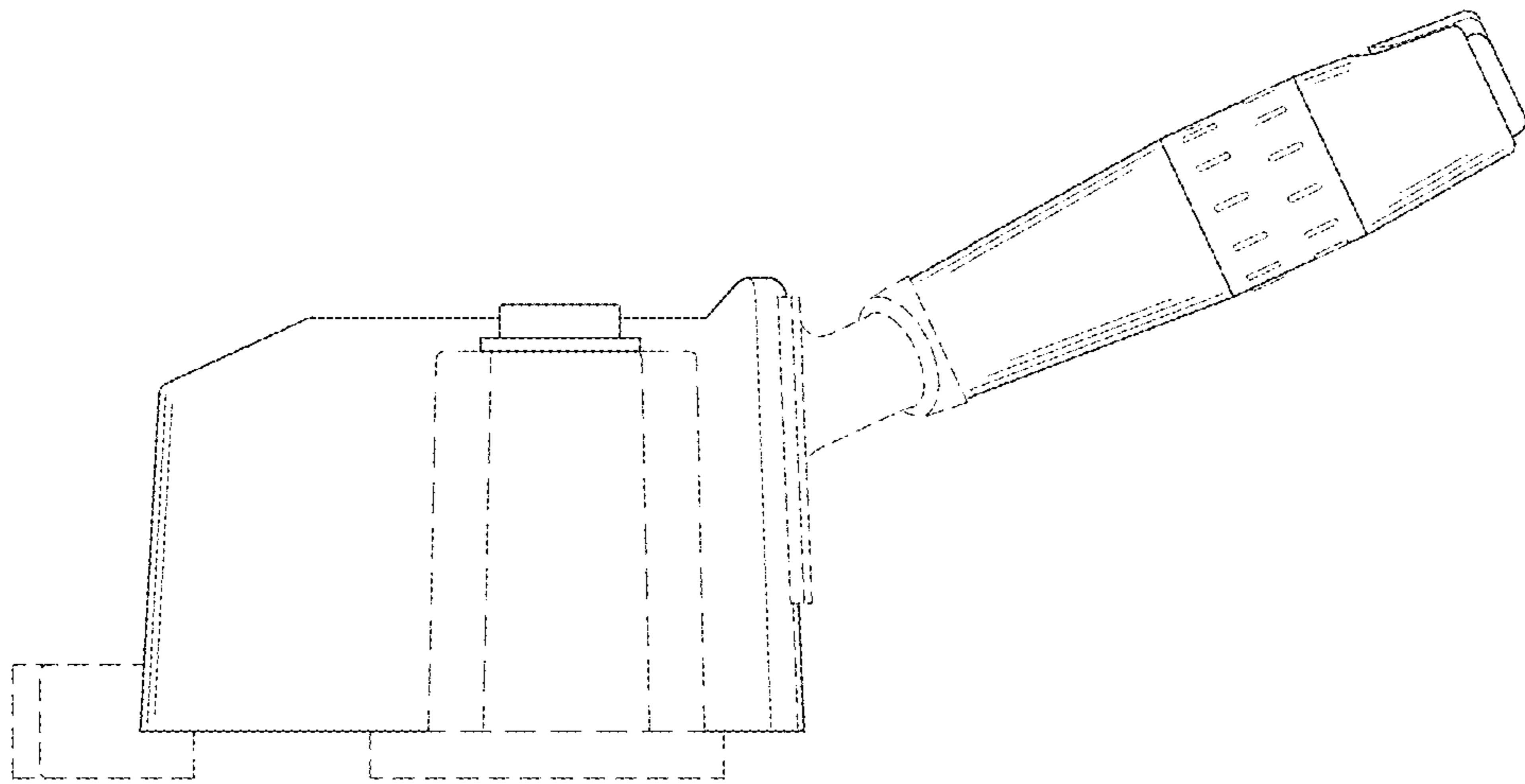


FIG. 3

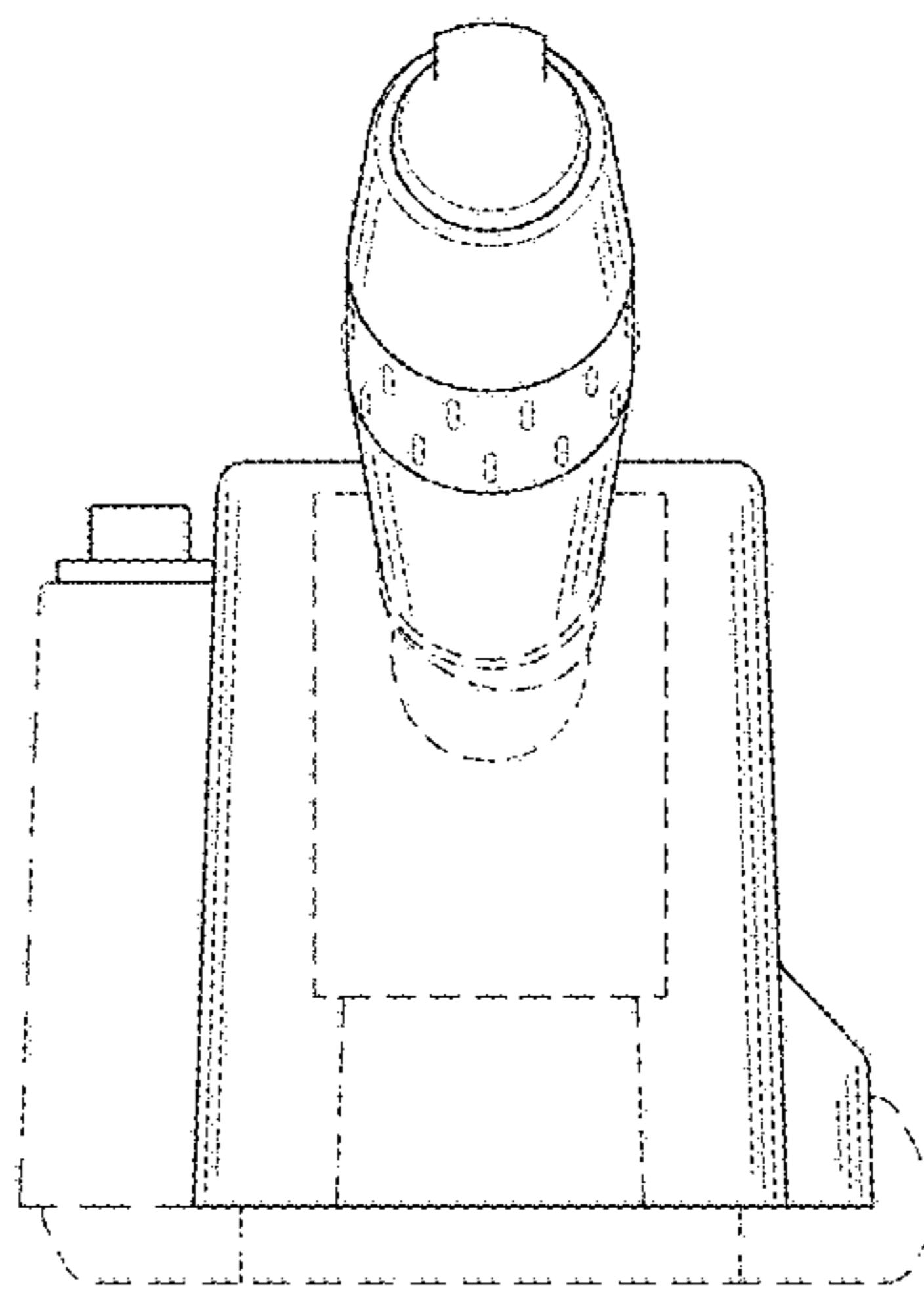


FIG. 4

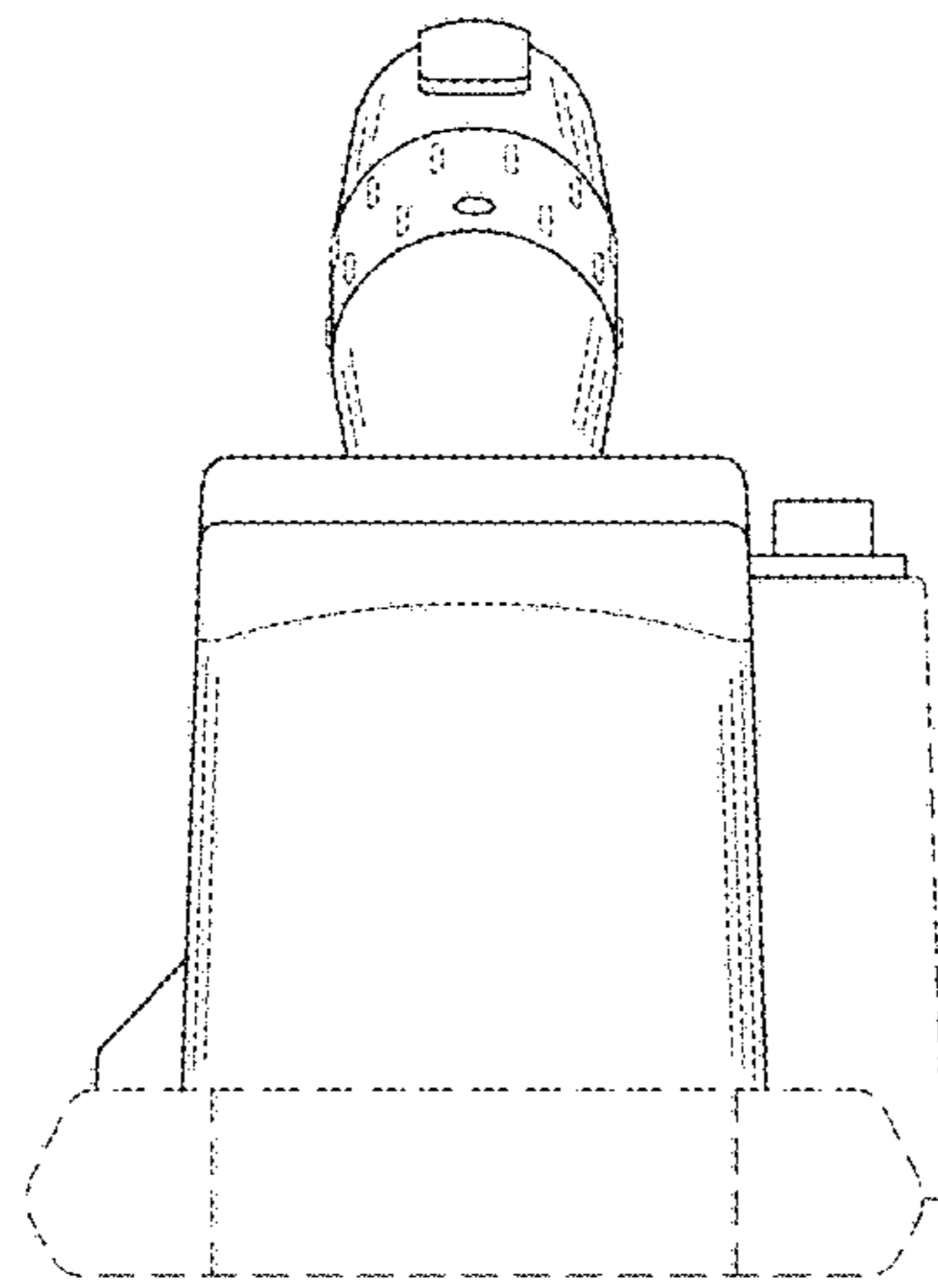


FIG. 5

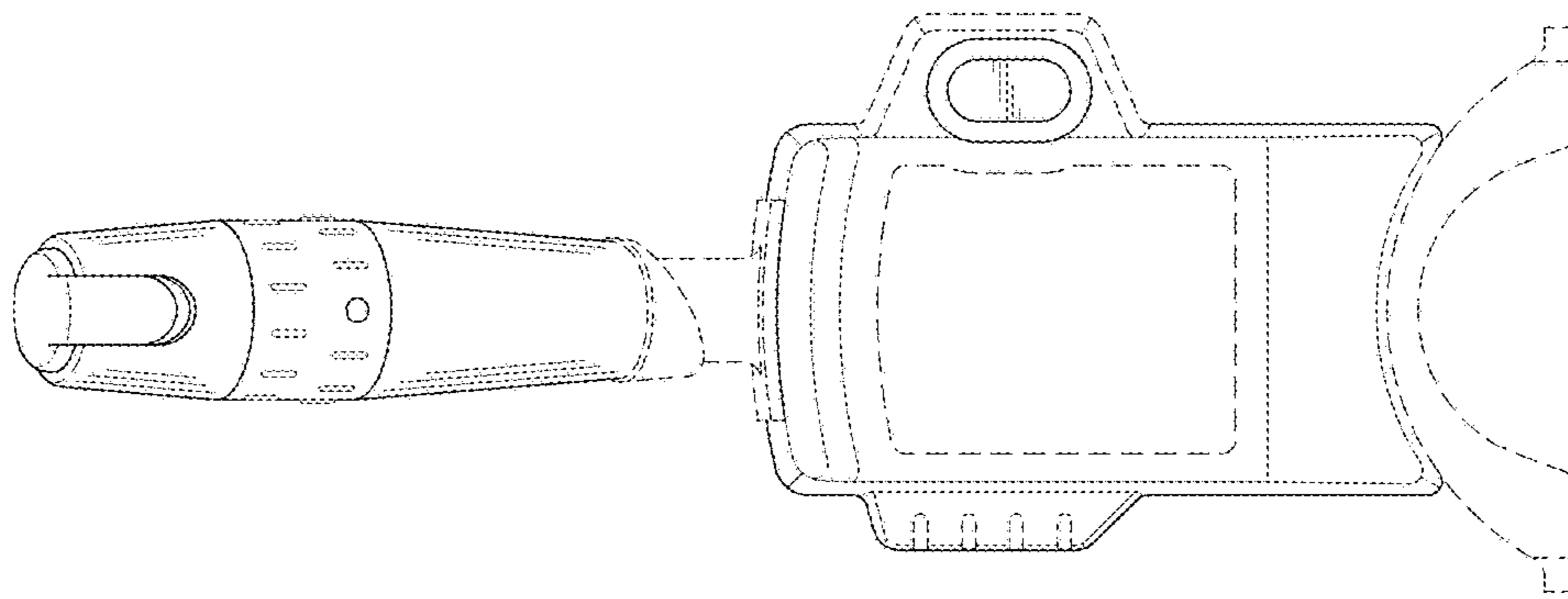


FIG. 6

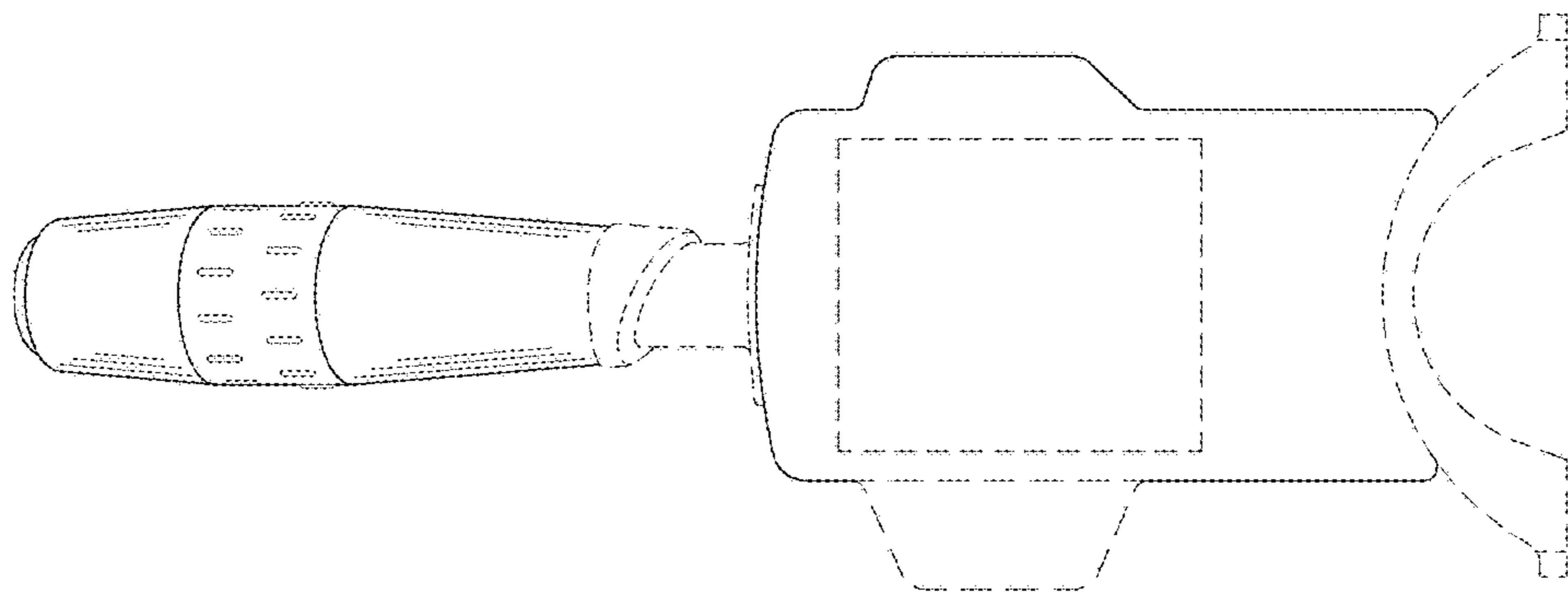


FIG. 7