



US00D859235S

(12) **United States Design Patent**
Gregory et al.

(10) **Patent No.:** **US D859,235 S**

(45) **Date of Patent:** **** Sep. 10, 2019**

- (54) **AUTOMOBILE FRONT END**
- (71) Applicant: **Bentley Motors Limited**, Crewe (GB)
- (72) Inventors: **John Paul Gregory**, Crewe (GB);
Stefan Hans Sielaff, Munich (DE)
- (73) Assignee: **Bentley Motors Limited**, Crewe,
Cheshire (GB)

D658,545 S *	5/2012	Van Braeckel	D12/91
D662,865 S *	7/2012	Van Braeckel	D12/164
D753,031 S *	4/2016	van Braeckel	D12/164
D758,248 S *	6/2016	Donckerwolke	D12/88
D782,367 S *	3/2017	Donckerwolke	D12/92
D811,939 S *	3/2018	Lee	D12/91
D824,295 S *	7/2018	Donckerwolke	D12/164
D825,386 S *	8/2018	Donckerwolke	D12/92
D835,004 S *	12/2018	Donckerwolke	D12/92

* cited by examiner

(**) Term: **15 Years**

Primary Examiner — Melody N Brown

(21) Appl. No.: **29/638,307**

(74) *Attorney, Agent, or Firm* — Schwabe Williamson & Wyatt, P.C.

(22) Filed: **Feb. 26, 2018**

(57) **CLAIM**

(30) **Foreign Application Priority Data**

We claim the ornamental design for an automobile front end, as shown and described.

Aug. 25, 2017 (EM) 004164598

DESCRIPTION

(51) **LOC (12) Cl.** **12-16**

(52) **U.S. Cl.**
USPC **D12/164**

(58) **Field of Classification Search**
USPC D12/86, 90-92, 164; D21/424, 433, 434,
D21/533; 296/181.1-181.5, 183.1
CPC B62D 25/00; B62D 25/06; B62D 33/00;
B62D 35/00
See application file for complete search history.

FIG. 1 is a front perspective view of an automobile front end showing our new design;
FIG. 2 is a rear view thereof;
FIG. 3 is a rear view thereof;
FIG. 4 is a rear perspective view thereof;
FIG. 5 is a left side view thereof;
FIG. 6 is a right side view thereof; and,
FIG. 7 is a top view thereof.

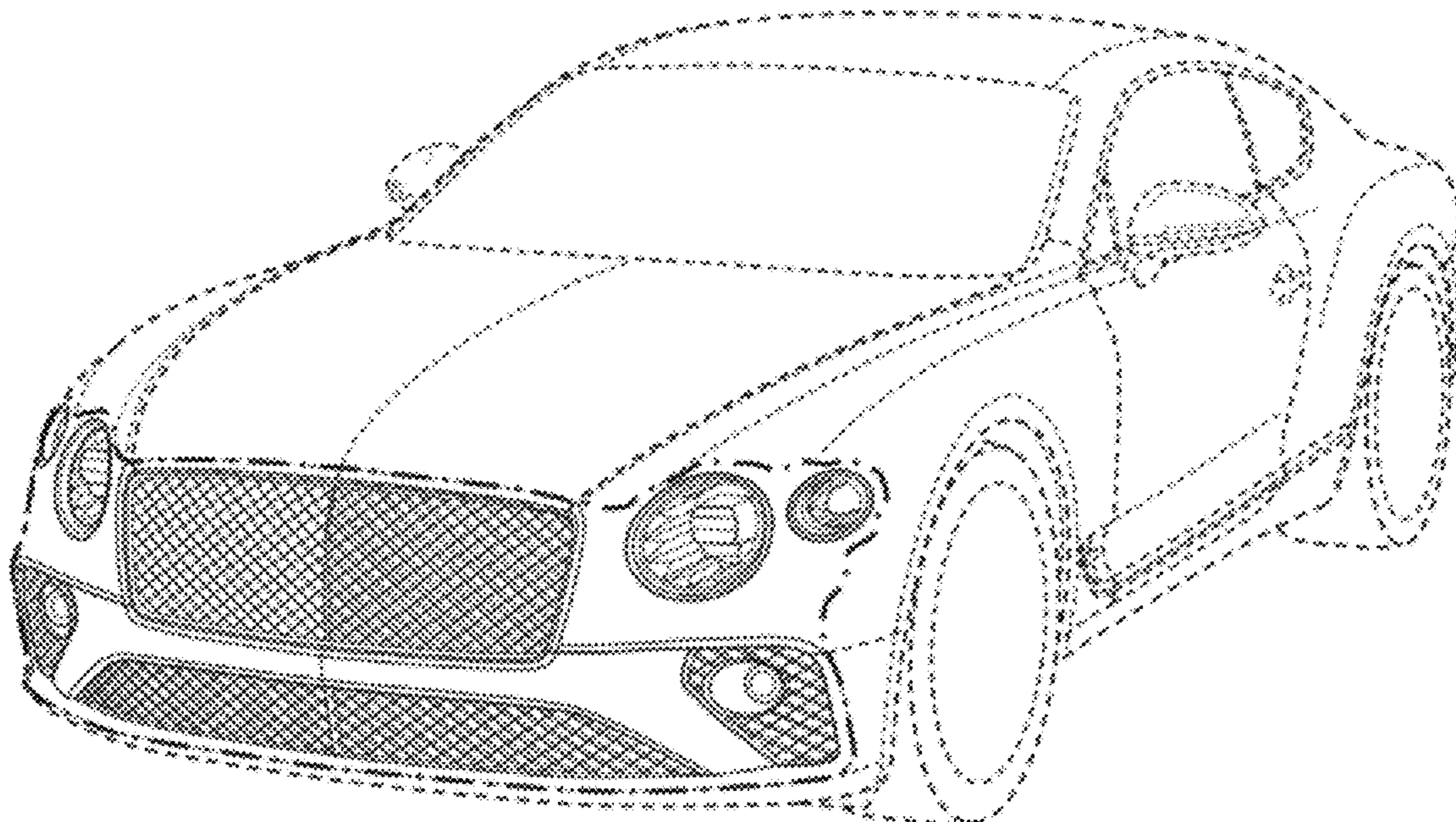
The bold dash-dot-dash broken lines that represent a boundary line surrounding and defining the claimed design, and all other broken lines shown throughout the drawing views are for environmental and illustrative purposes that form no part of the claimed design.

(56) **References Cited**

U.S. PATENT DOCUMENTS

D558,642 S *	1/2008	van Braeckel	D12/92
D574,752 S *	8/2008	van Braeckel	D12/92

1 Claim, 6 Drawing Sheets



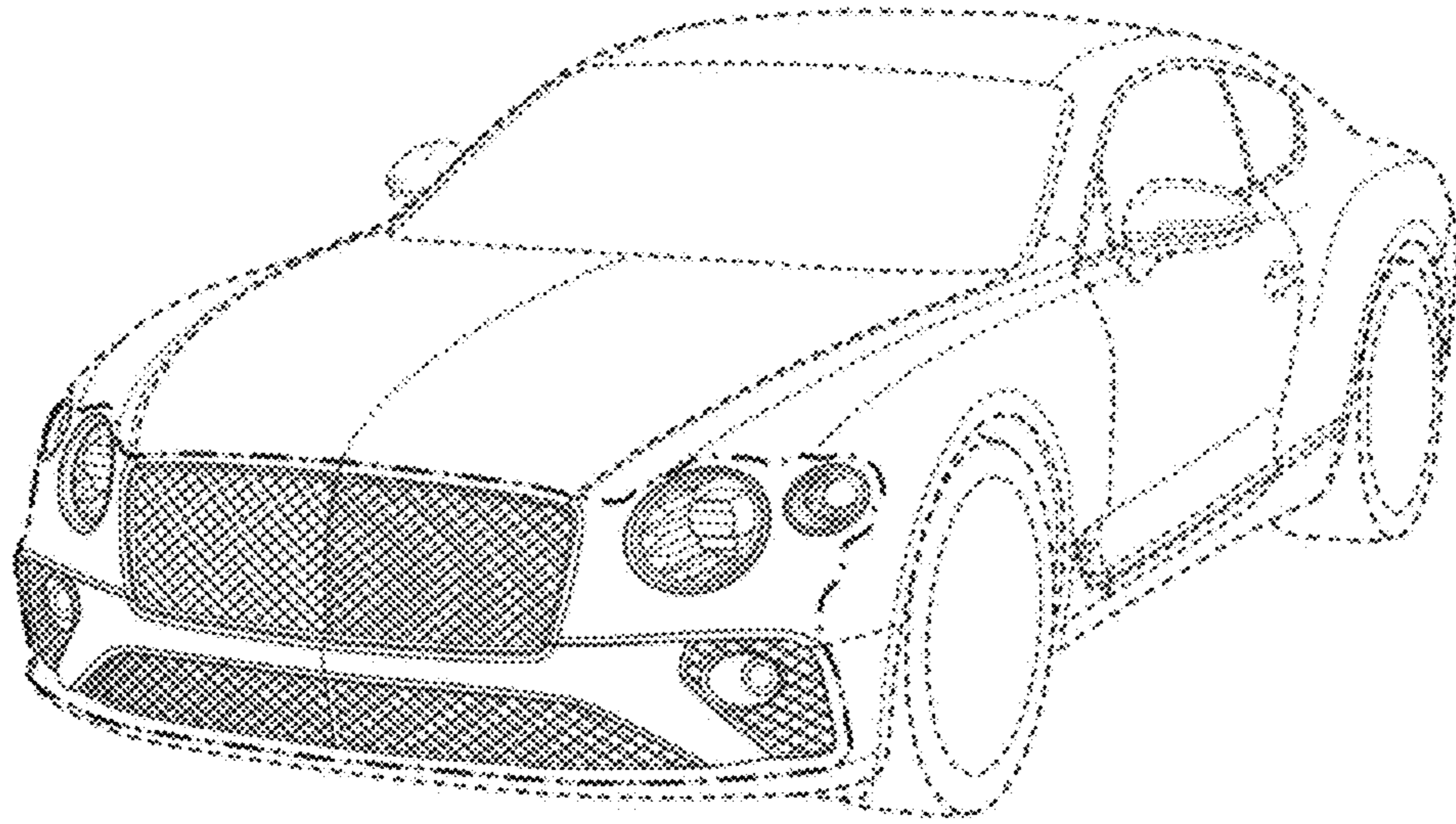


FIG. 1

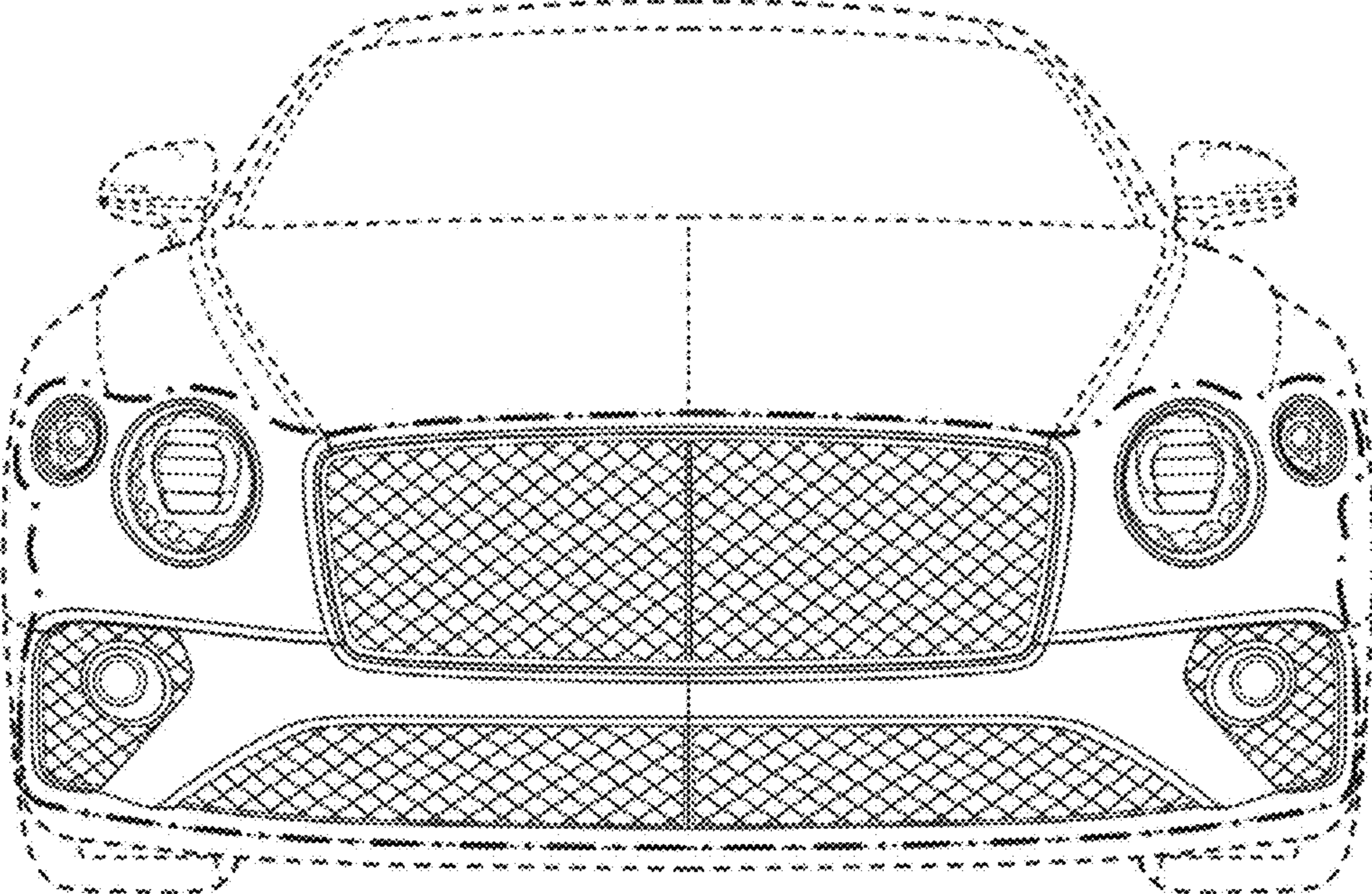


FIG. 2

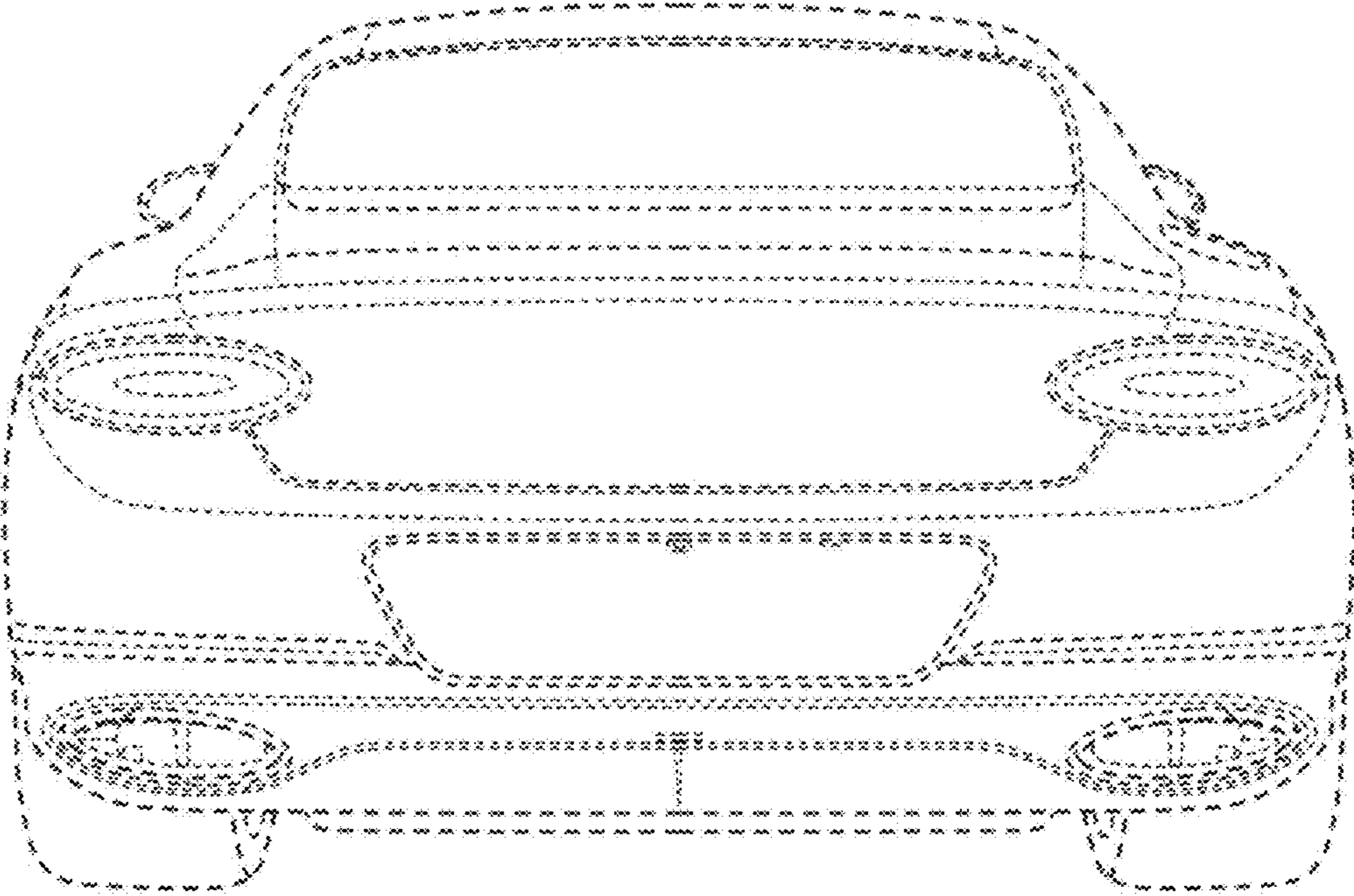


FIG. 3

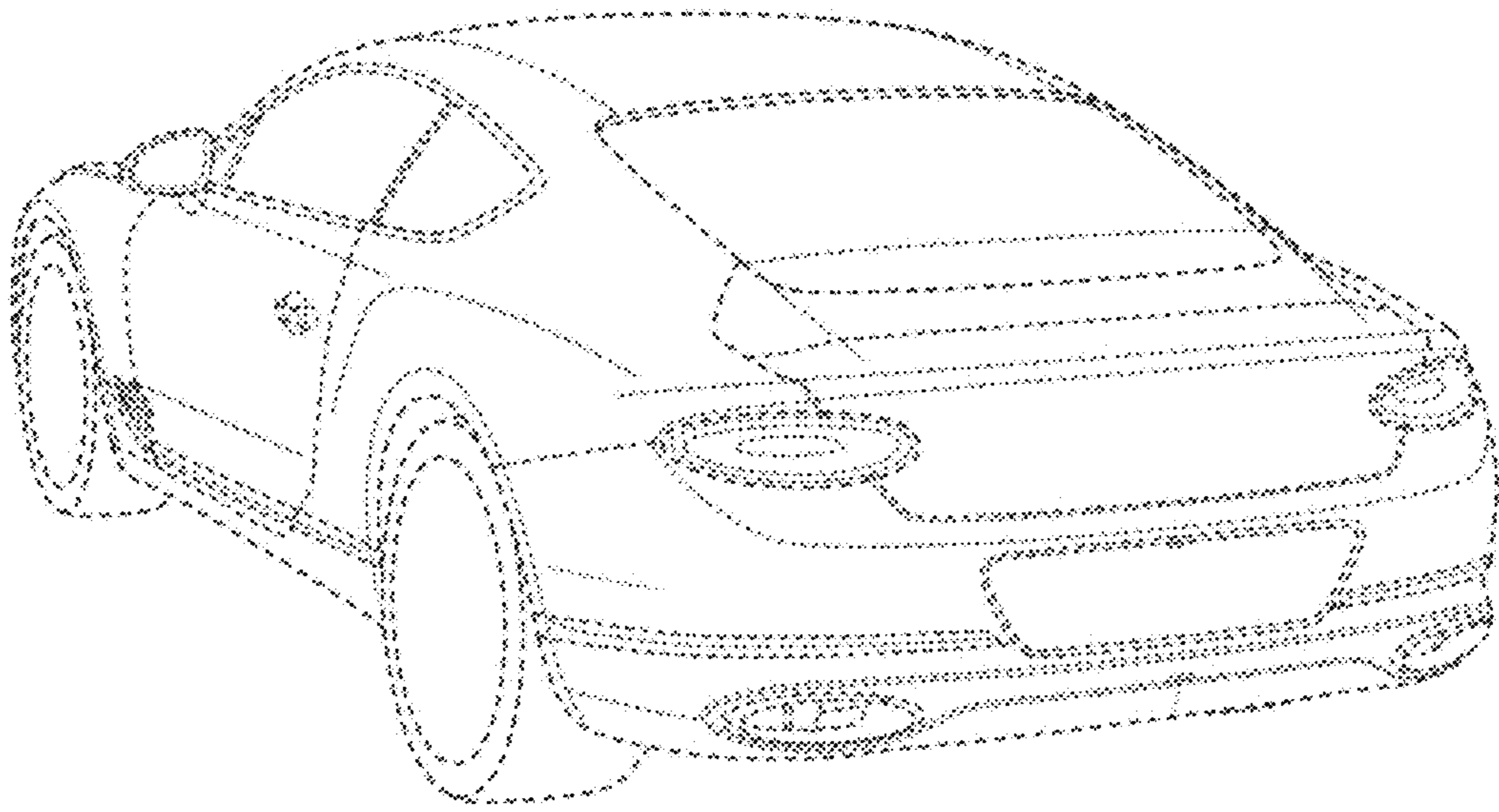


FIG. 4

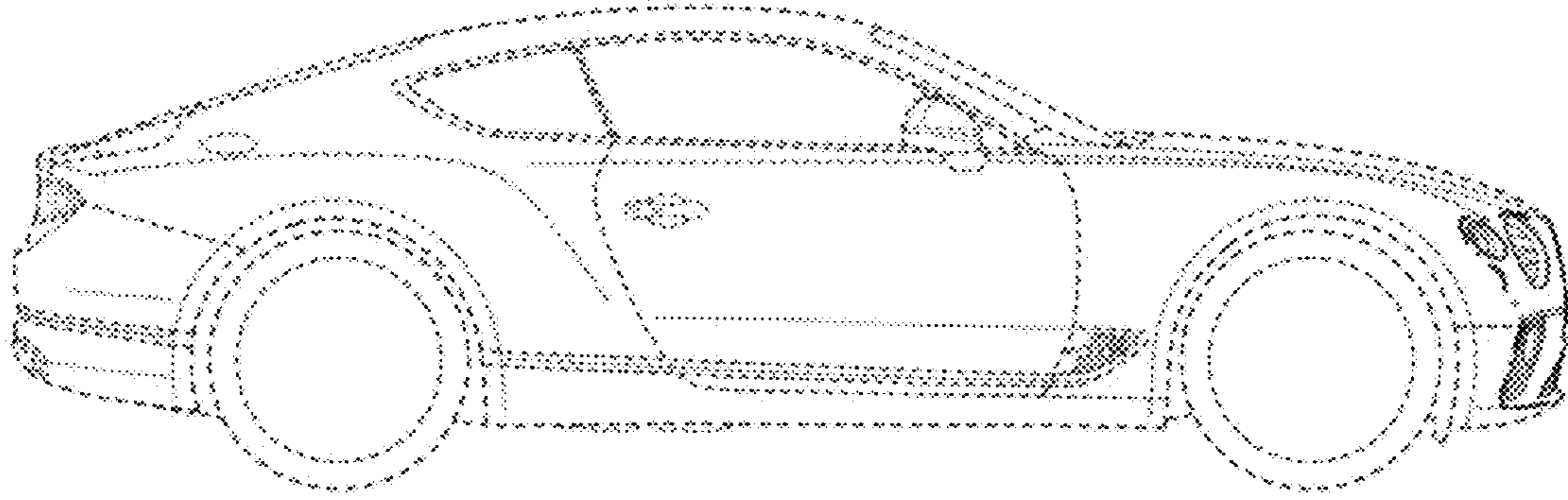


FIG. 5

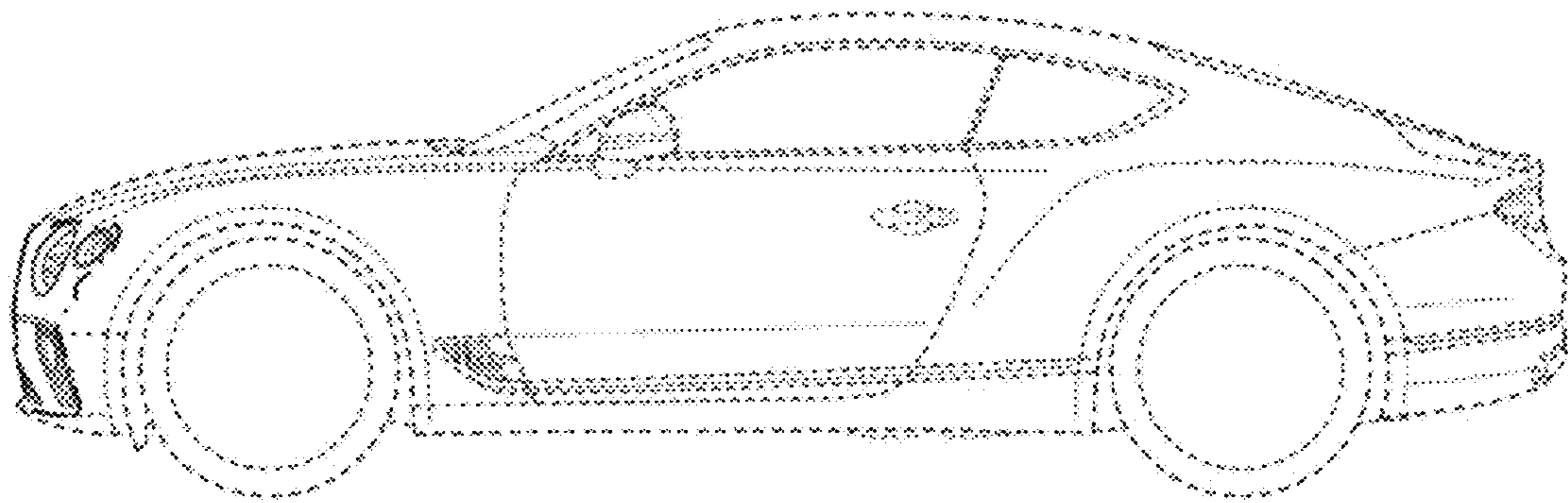


FIG. 6

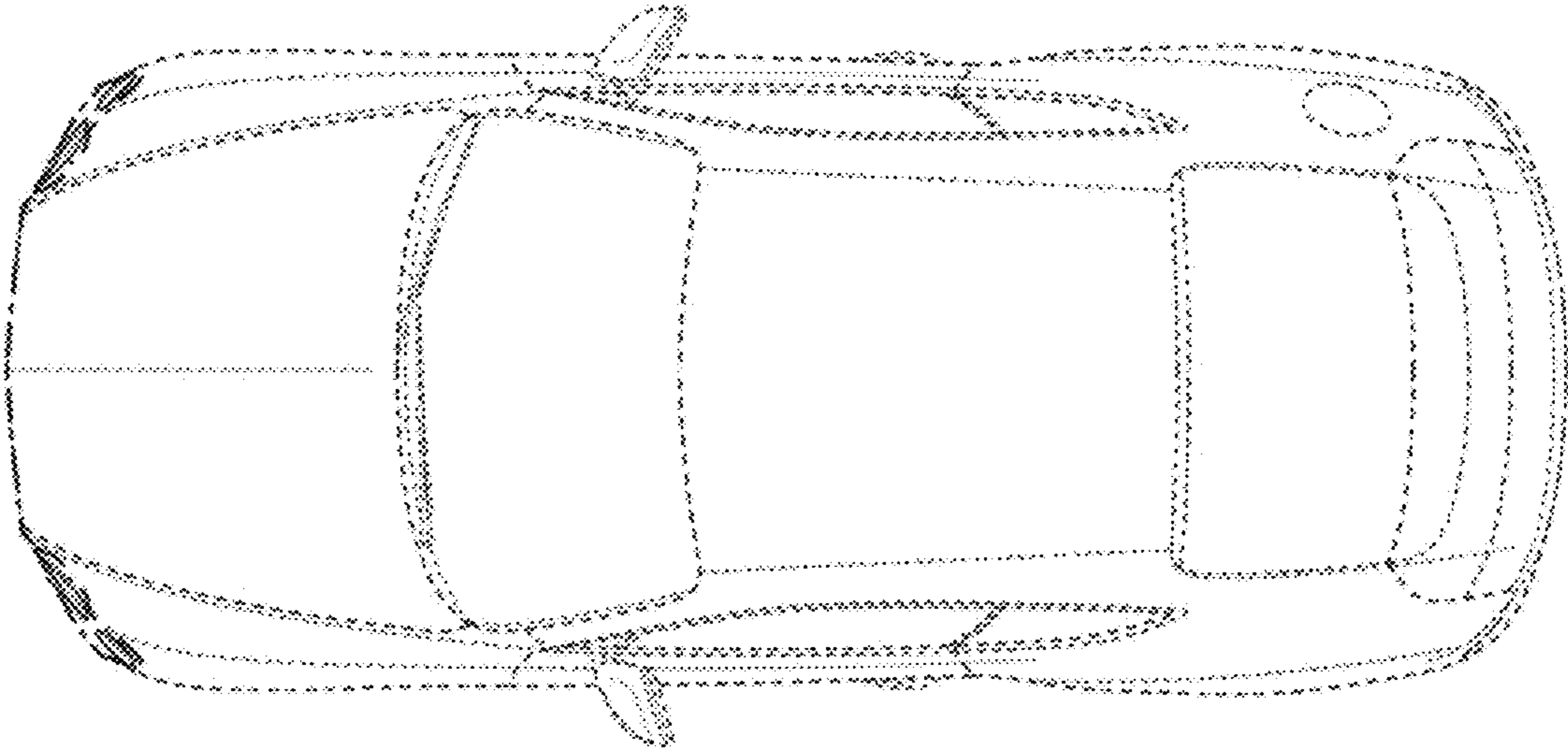


FIG. 7