



US00D859226S

(12) **United States Design Patent** (10) **Patent No.:** **US D859,226 S**  
**Grooms** (45) **Date of Patent:** **\*\* \*Sep. 10, 2019**

(54) **TRUCK GRILLE**

(56) **References Cited**

(71) Applicant: **John Lynn Grooms**, El Cajon, CA  
(US)

U.S. PATENT DOCUMENTS

(72) Inventor: **John Lynn Grooms**, El Cajon, CA  
(US)

D540,721	S	*	4/2007	Wagner	.....	D12/163
D703,111	S	*	4/2014	Platto	.....	D12/163
D703,119	S	*	4/2014	Platto	.....	D12/173
D718,673	S	*	12/2014	Thole	.....	D12/163
9,630,655	B1	*	4/2017	Lee	.....	B62D 25/085
D790,409	S	*	6/2017	Baste	.....	D12/163
D790,411	S	*	6/2017	Labanowicz	.....	D12/163
2016/0101755	A1	*	4/2016	Sharif	.....	B60R 19/52 296/193.1
2016/0280168	A1	*	9/2016	Klop	.....	B60R 13/06

(\*) Notice: This patent is subject to a terminal disclaimer.

(\*\*) Term: **15 Years**

\* cited by examiner

(21) Appl. No.: **29/605,676**

*Primary Examiner* — Susan Bennett Hattan

(22) Filed: **Jul. 17, 2017**

*Assistant Examiner* — Suzanne E Tisdell

(51) **LOC (12) Cl.** ..... **12-16**

(57) **CLAIM**

(52) **U.S. Cl.**  
USPC ..... **D12/163**

I claim the ornamental design for a truck grille, as shown and described.

(58) **Field of Classification Search**

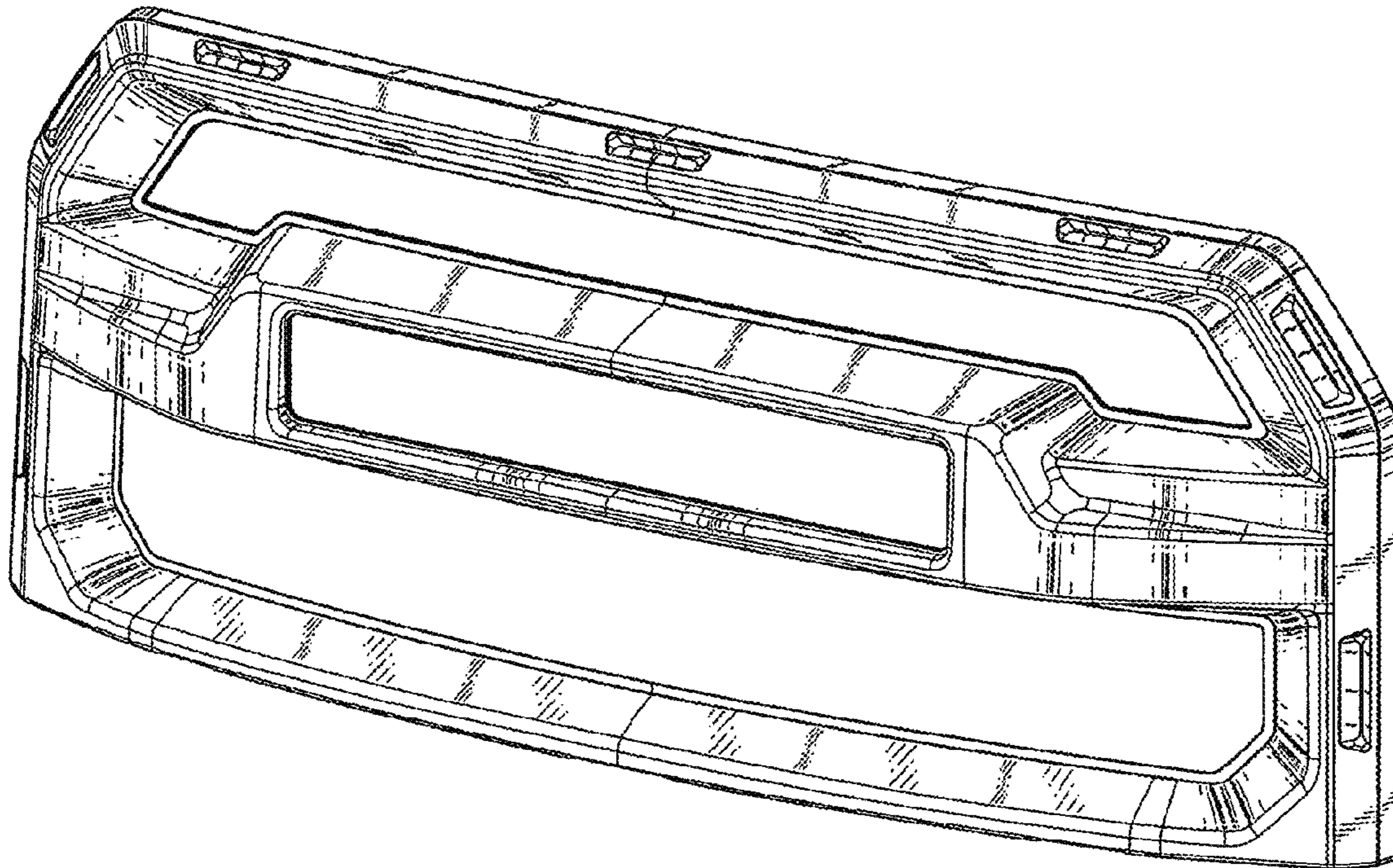
**DESCRIPTION**

USPC ..... D12/86, 91, 93, 96, 163, 164, 165, 166,  
D12/167, 169, 171, 172, 173, 190, 216  
CPC ..... B60R 9/06; B60R 19/02; B60R 19/04;  
B60R 19/18; B60R 19/44; B60R 19/48;  
B62D 35/02; B62D 39/00; B62D 65/16;  
B62D 21/12

FIG. 1 is a front top perspective view of a truck grille showing my new design; and,  
FIG. 2 is a front plan view of a truck grille showing my new design.

See application file for complete search history.

**1 Claim, 2 Drawing Sheets**



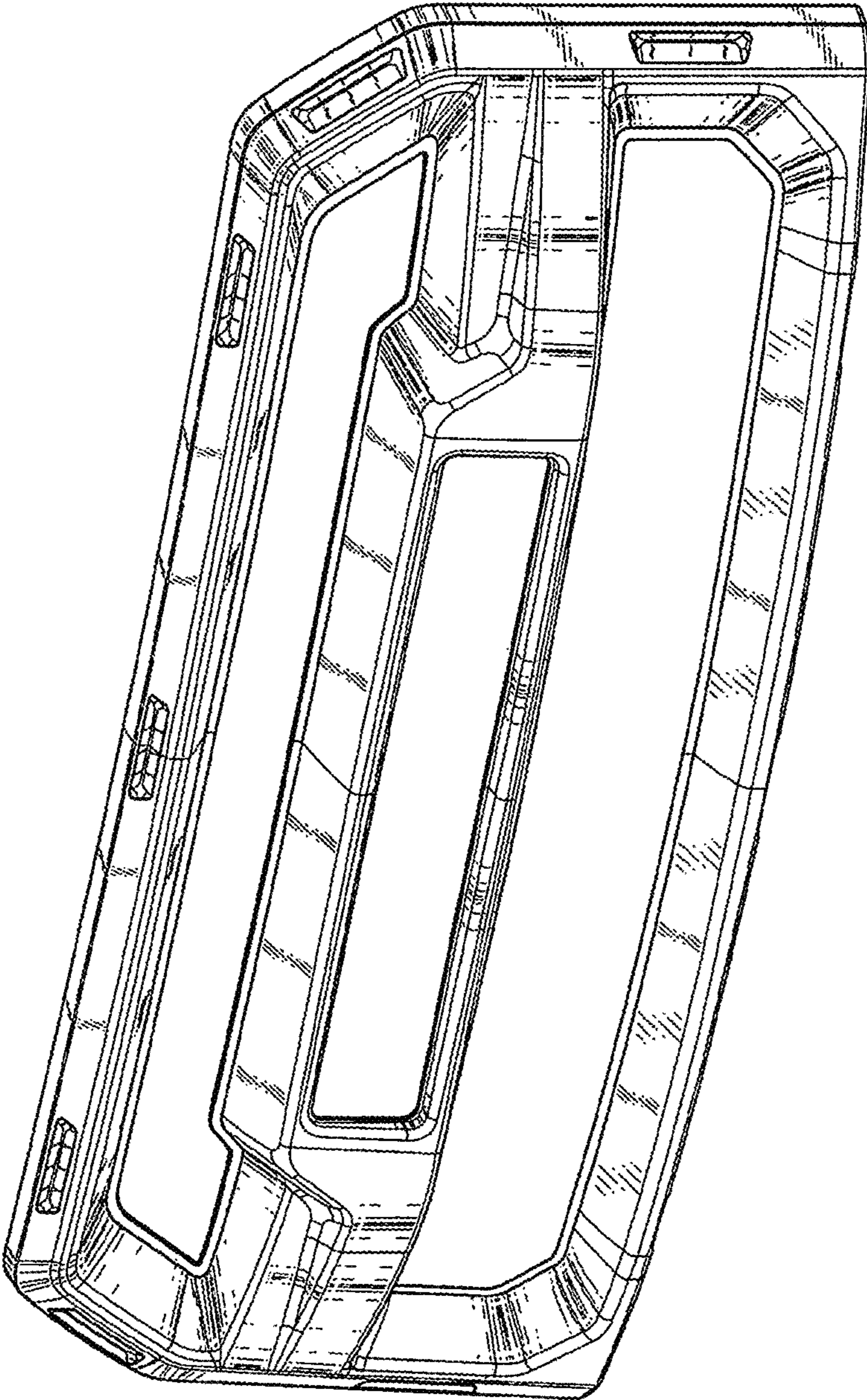


Fig. 1

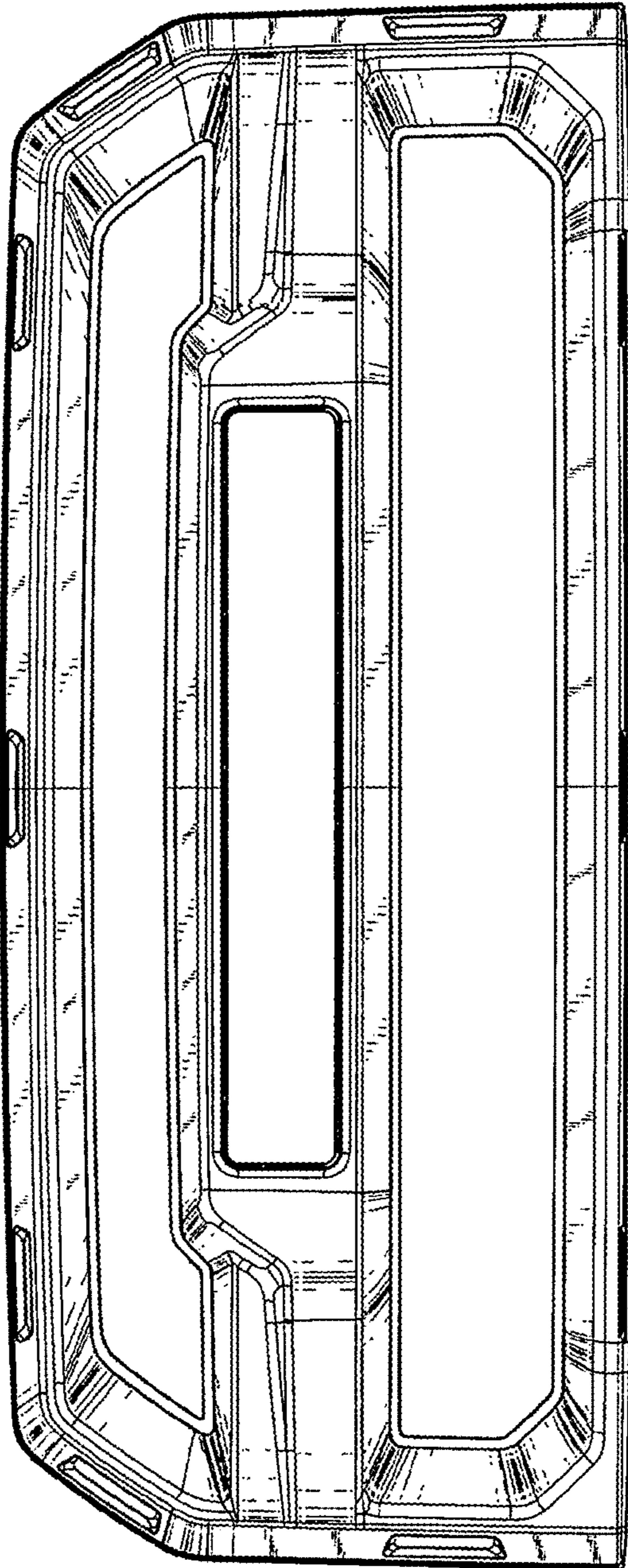


Fig. 2