



US00D859225S

(12) **United States Design Patent** (10) **Patent No.:** **US D859,225 S**
Kutsch et al. (45) **Date of Patent:** **** Sep. 10, 2019**

(54) **WHEELED PERSONAL CONVEYANCE**

FOREIGN PATENT DOCUMENTS

(71) Applicant: **Medline Industries, Inc.**, Northfield, IL (US)

GB 2355696 A 5/2011
JP 2009017974 A 1/2009

(Continued)

(72) Inventors: **John Kutsch**, Harvard, IL (US);
Corbett Brown, Jr., Round Lake Park, IL (US); **Zhiliang Wang**, Zhongshan (CN)

Primary Examiner — Charles D Hanson

(74) *Attorney, Agent, or Firm* — Fitch, Even, Tabin & Flannery LLP

(73) Assignee: **Medline Industries, Inc.**, Northfield, IL (US)

(57) **CLAIM**

The ornamental design for a wheeled personal conveyance, as shown and described.

(**) Term: **15 Years**

(21) Appl. No.: **29/669,154**

DESCRIPTION

(22) Filed: **Nov. 6, 2018**

Related U.S. Application Data

(63) Continuation of application No. 29/604,446, filed on May 17, 2017, now Pat. No. Des. 834,462, which is a continuation of application No. 29/513,376, filed on Dec. 30, 2014, now Pat. No. Des. 789,256.

(51) **LOC (12) Cl.** **12-12**

(52) **U.S. Cl.**
USPC **D12/133; D12/131**

(58) **Field of Classification Search**
USPC **D12/128–133**
CPC **A61G 5/00–14**
See application file for complete search history.

(56) **References Cited**

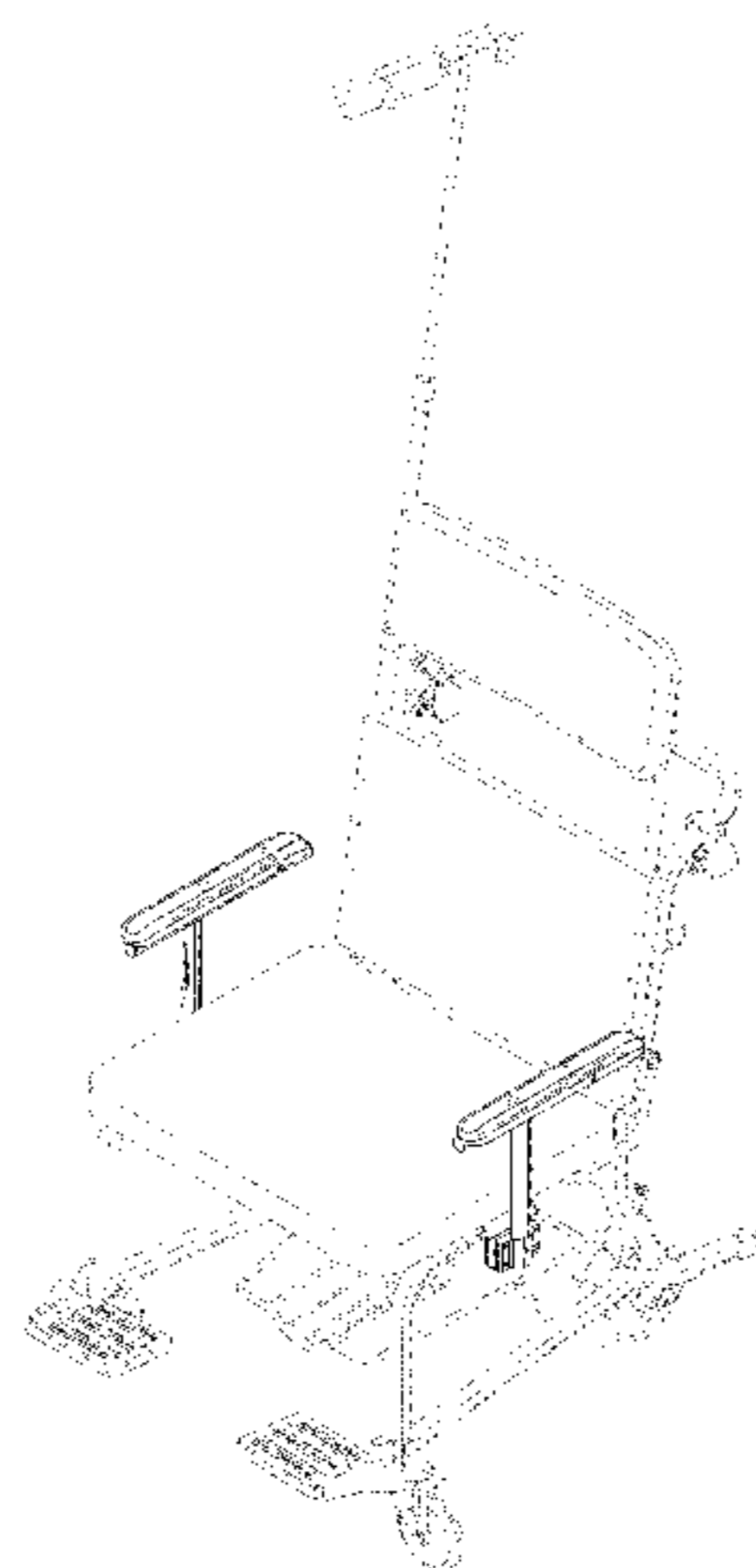
U.S. PATENT DOCUMENTS

2,685,325 A 8/1954 Webster
3,497,234 A 2/1970 Schray
4,639,012 A 1/1987 Jensen
4,893,827 A 1/1990 Gay
5,558,358 A 9/1996 Johnson
5,560,627 A 10/1996 Zatulovsky

(Continued)

FIG. 1 is a top perspective view showing a first embodiment of a wheeled personal conveyance in accordance with our new design;
FIG. 2 is a bottom perspective view thereof;
FIG. 3 is a front elevational view thereof;
FIG. 4 is a rear elevational view thereof;
FIG. 5 is a right side elevational view thereof;
FIG. 6 is a left side elevational view thereof;
FIG. 7 is a top plan view thereof;
FIG. 8 is a bottom plan view thereof;
FIG. 9 is a top perspective view showing a second embodiment of a wheeled personal conveyance in accordance with our new design;
FIG. 10 is a bottom perspective view thereof;
FIG. 11 is a front elevational view thereof;
FIG. 12 is a rear elevational view thereof;
FIG. 13 is a right side elevational view thereof;
FIG. 14 is a left side elevational view thereof;
FIG. 15 is a top plan view thereof; and,
FIG. 16 is a bottom plan view thereof.
The broken lines are included for the purpose of illustrating unclaimed subject matter and form no part of the claimed design.

1 Claim, 16 Drawing Sheets



(56)

References Cited

U.S. PATENT DOCUMENTS

5,560,636 A * 10/1996 Chen A61G 5/08
 280/642
 D413,554 S * 9/1999 Schlangen D12/131
 D427,949 S 7/2000 Schlangen
 6,142,566 A 11/2000 Ritch
 6,161,848 A 12/2000 Beumer et al.
 6,315,306 B1 11/2001 Fernie
 D455,376 S * 4/2002 Lindenkamp D12/131
 D455,377 S * 4/2002 Suiter D12/131
 6,412,795 B1 7/2002 Beumer et al.
 6,447,064 B1 9/2002 Mundy
 7,188,855 B1 3/2007 Thomas
 7,717,483 B1 * 5/2010 Bombara A47G 23/0625
 206/557
 D618,141 S 6/2010 Chan
 D621,307 S * 8/2010 Kagi D12/131
 D622,641 S 8/2010 Chen
 D623,992 S 9/2010 Derks
 D624,459 S 9/2010 Jacobs
 D633,830 S 3/2011 Derks
 D635,895 S 4/2011 Jacobs
 8,075,017 B2 12/2011 Ignacio
 D693,818 S * 11/2013 Webber D14/439
 D693,819 S * 11/2013 Cocquyt D14/439
 D699,160 S 2/2014 Yang
 D714,394 S * 9/2014 Baumann D21/398
 8,985,618 B2 3/2015 Perk
 D733,147 S * 6/2015 Stevens D14/439

D749,559 S * 2/2016 Senoff D14/251
 D765,662 S * 9/2016 Kang D14/251
 D769,859 S * 10/2016 Herbst D14/253
 D772,233 S * 11/2016 Cho D14/439
 9,486,910 B2 * 11/2016 Stevens F16M 11/041
 9,592,169 B2 3/2017 Eddy
 D789,256 S * 6/2017 Kutsch D12/131
 D792,408 S * 7/2017 Kuo D14/432
 D795,240 S * 8/2017 Kaufman D14/253
 9,730,846 B2 8/2017 Kutsch
 D819,603 S * 6/2018 Pearce D14/217
 D820,823 S * 6/2018 Ahn D14/253
 D834,462 S 11/2018 Kutsch
 D838,215 S * 1/2019 Wu D12/131
 2002/0036422 A1 3/2002 Prince
 2003/0090073 A1 5/2003 Whang
 2004/0036258 A1 2/2004 Pleasant
 2007/0018426 A1 1/2007 Willis
 2009/0033052 A1 2/2009 Bradshaw
 2011/0284599 A1 * 11/2011 Sternick A45F 5/00
 224/191
 2012/0292879 A1 11/2012 Ferniany
 2013/0140782 A1 6/2013 Paul
 2013/0140783 A1 6/2013 Paul

FOREIGN PATENT DOCUMENTS

WO 99012507 A1 3/1999
 WO 2013041201 A1 3/2013

* cited by examiner

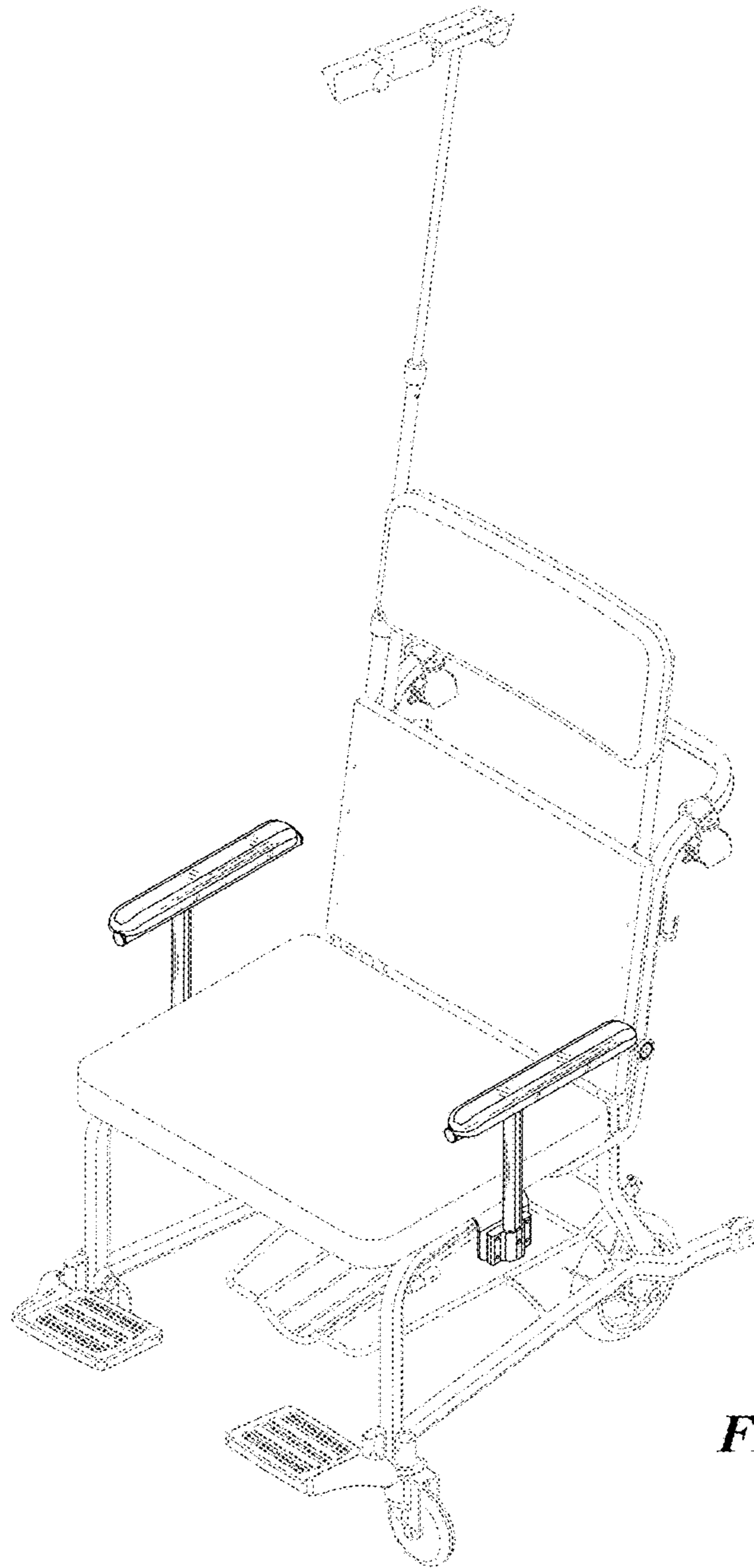


FIG. 1

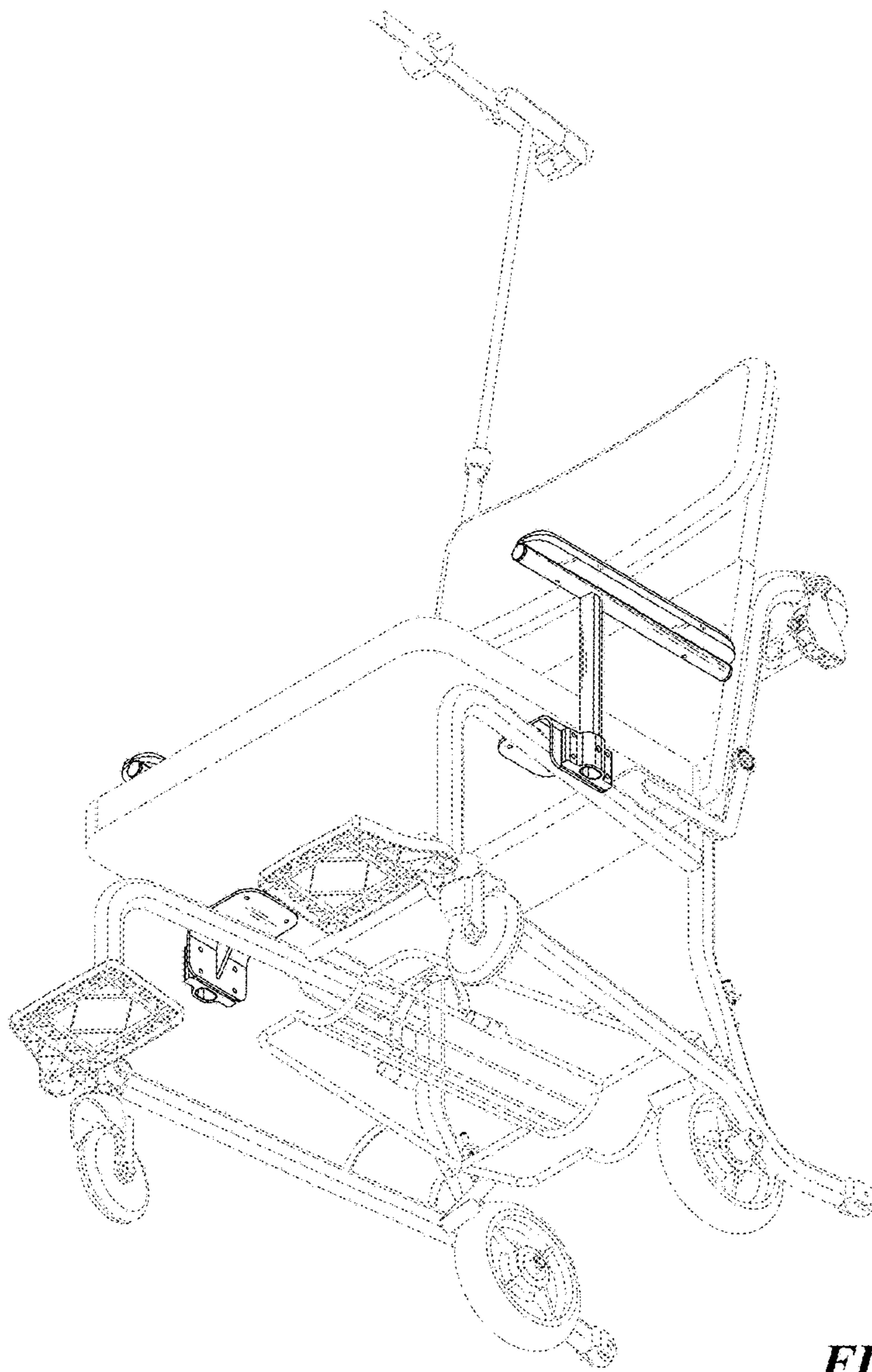


FIG. 2

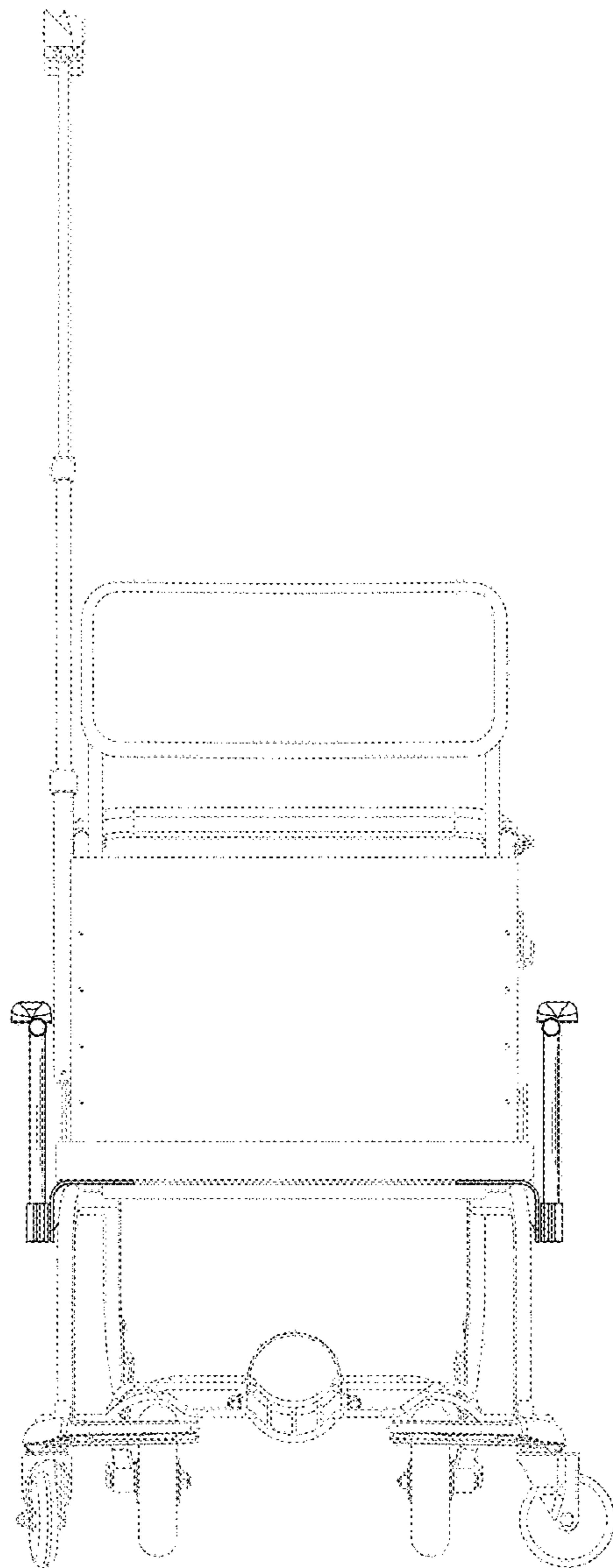


FIG. 3

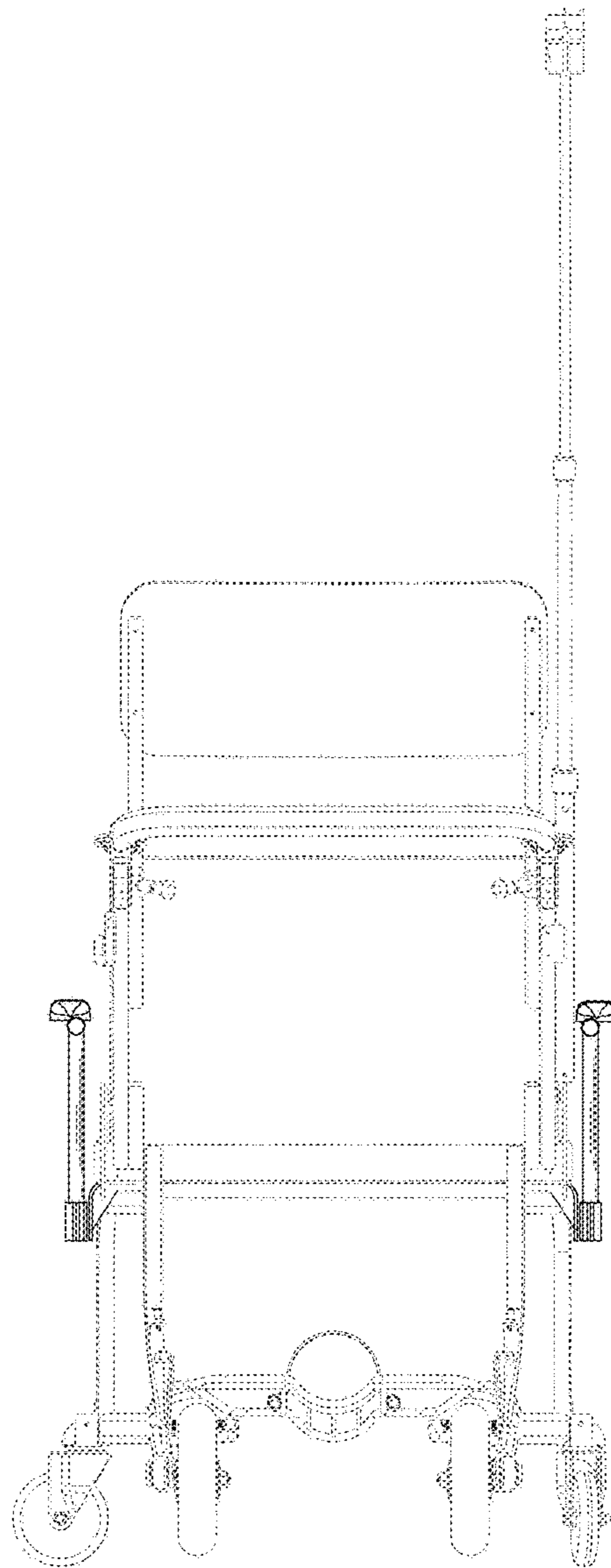


FIG. 4

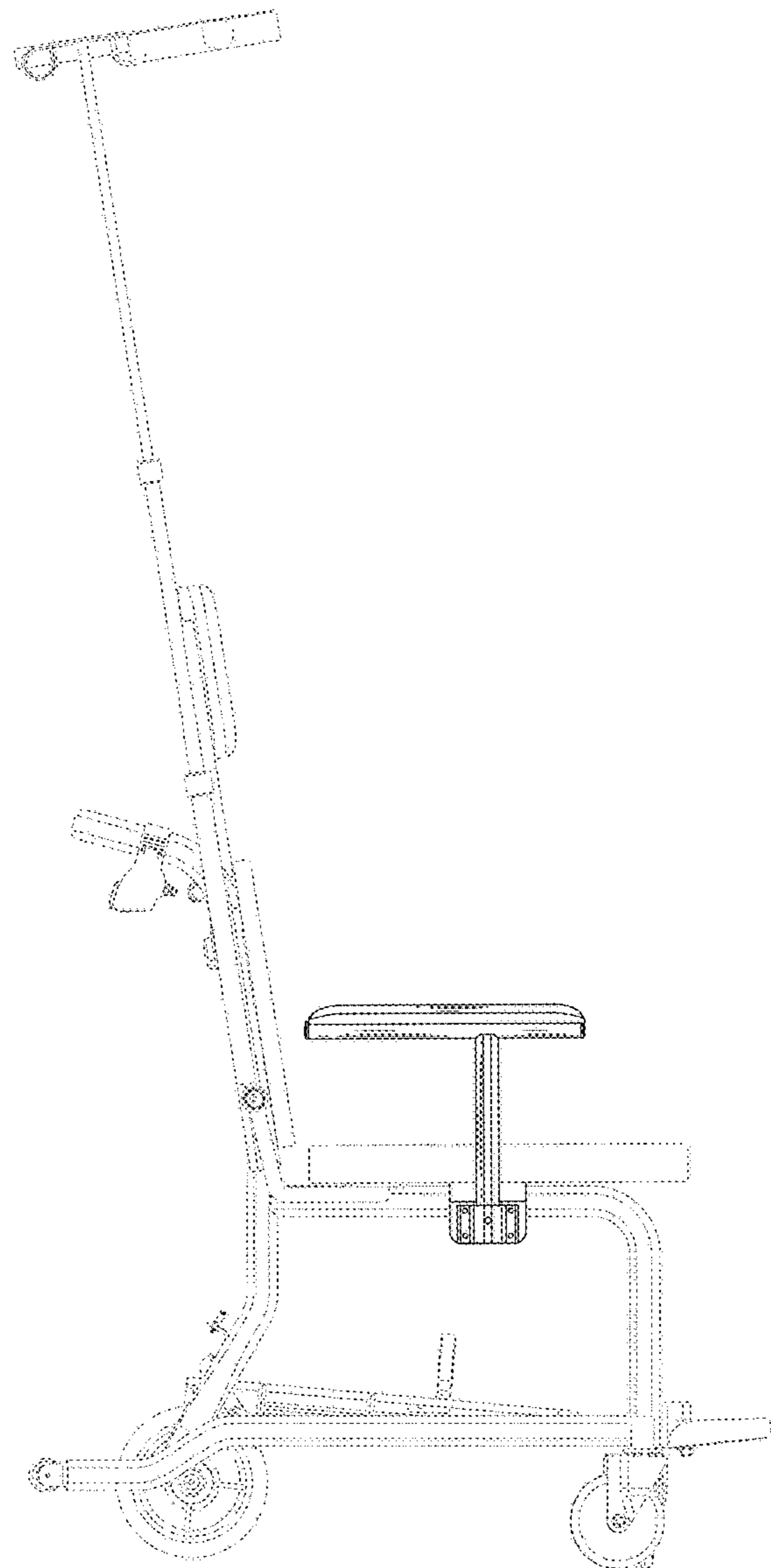


FIG. 5

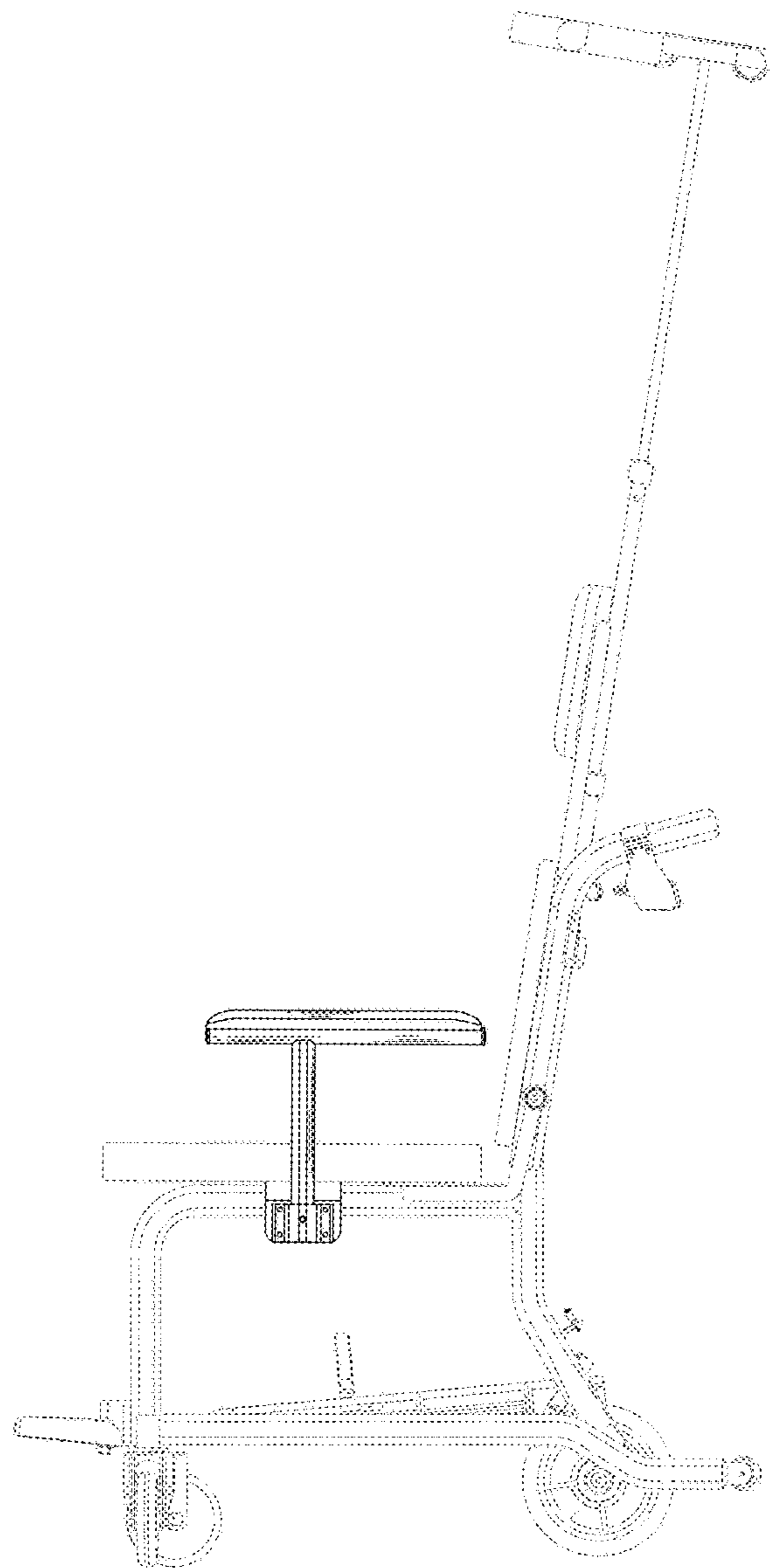


FIG. 6

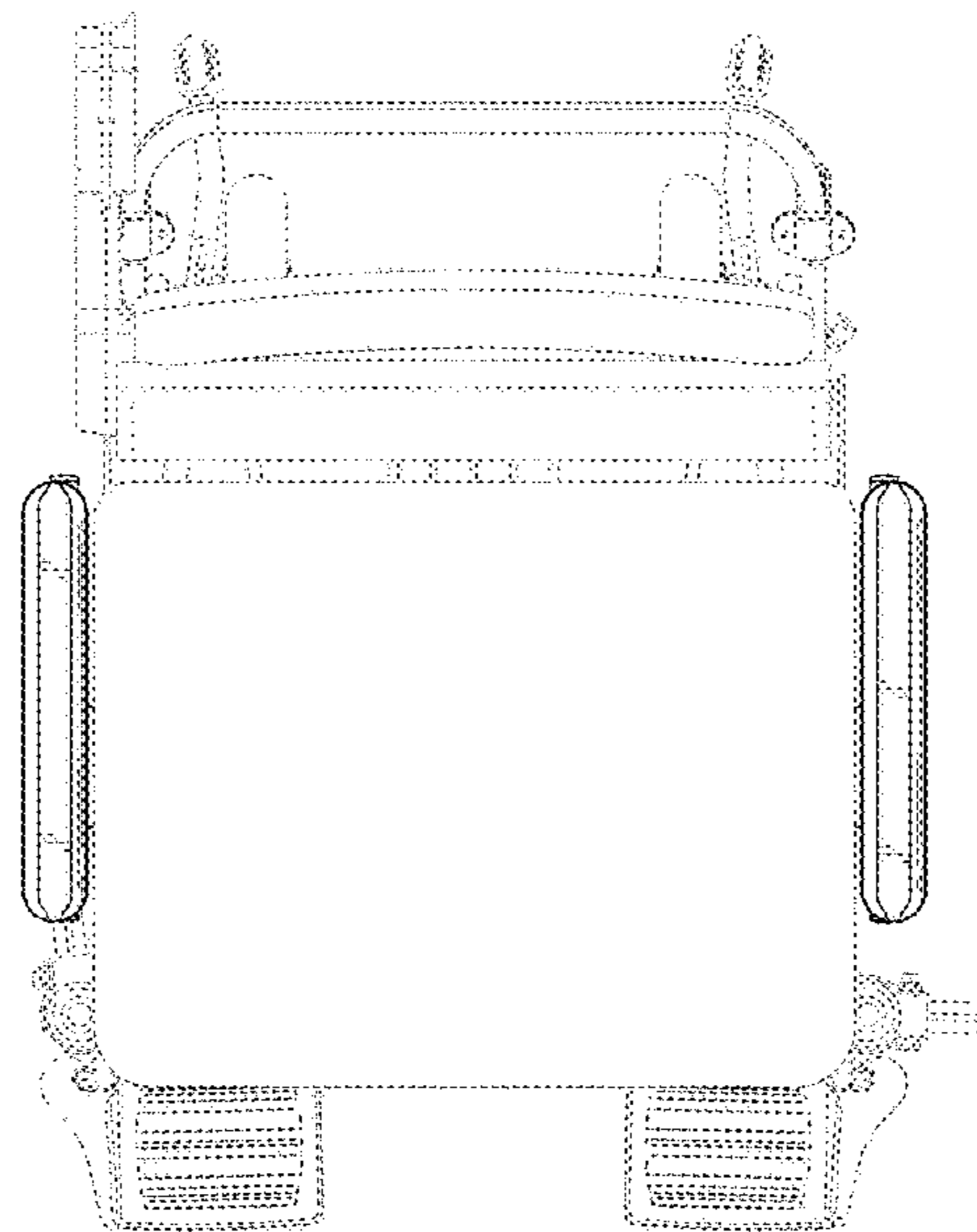


FIG. 7

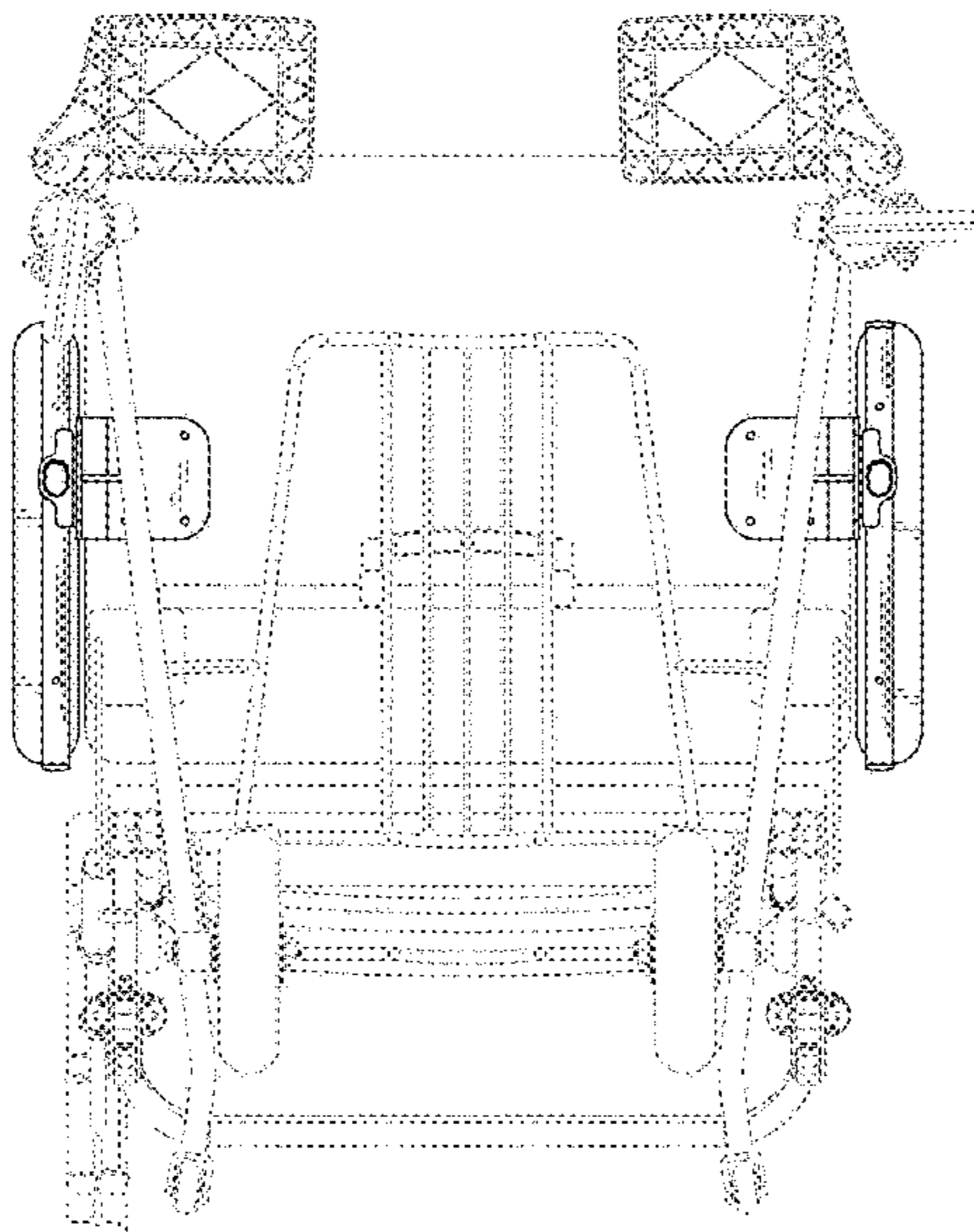


FIG. 8

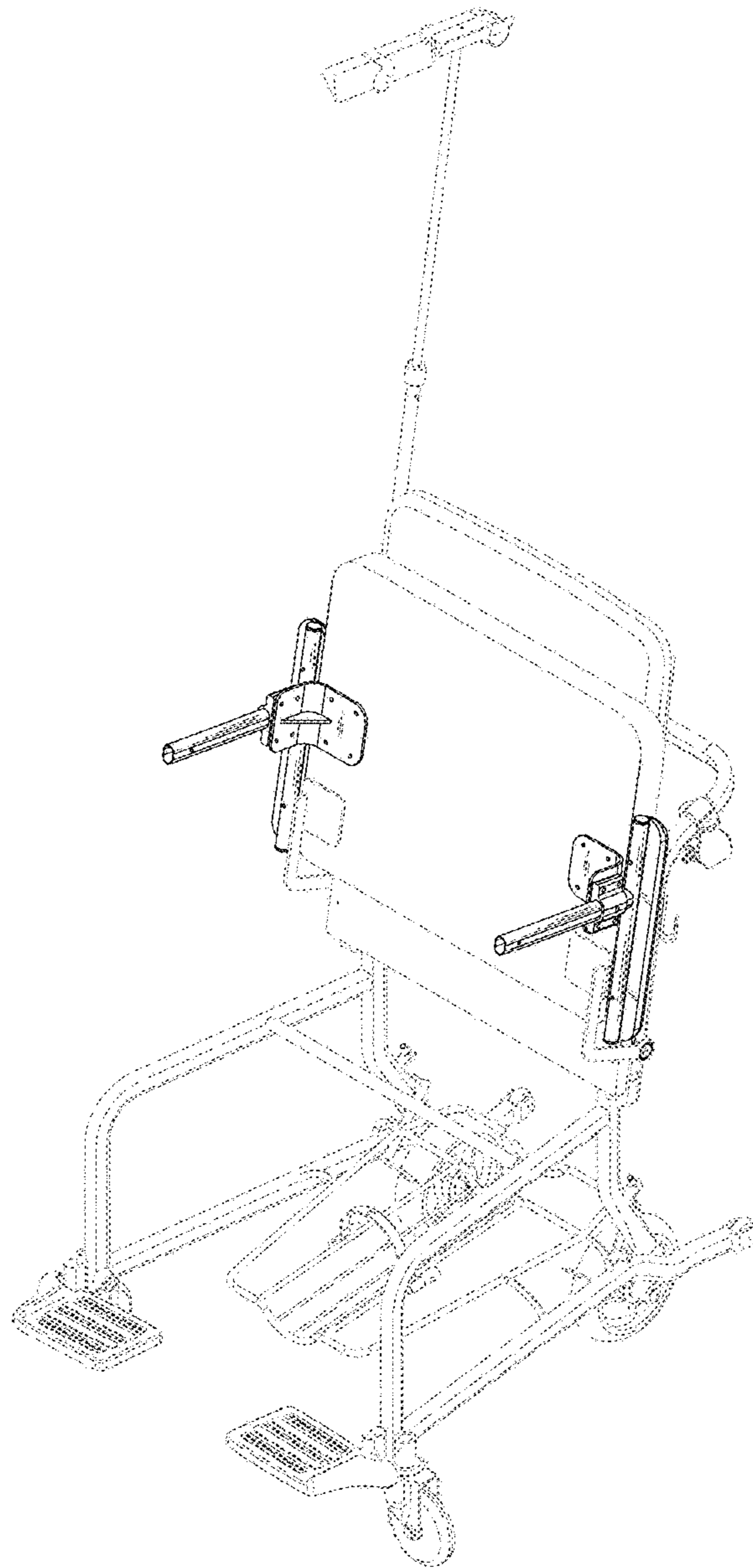


FIG. 9

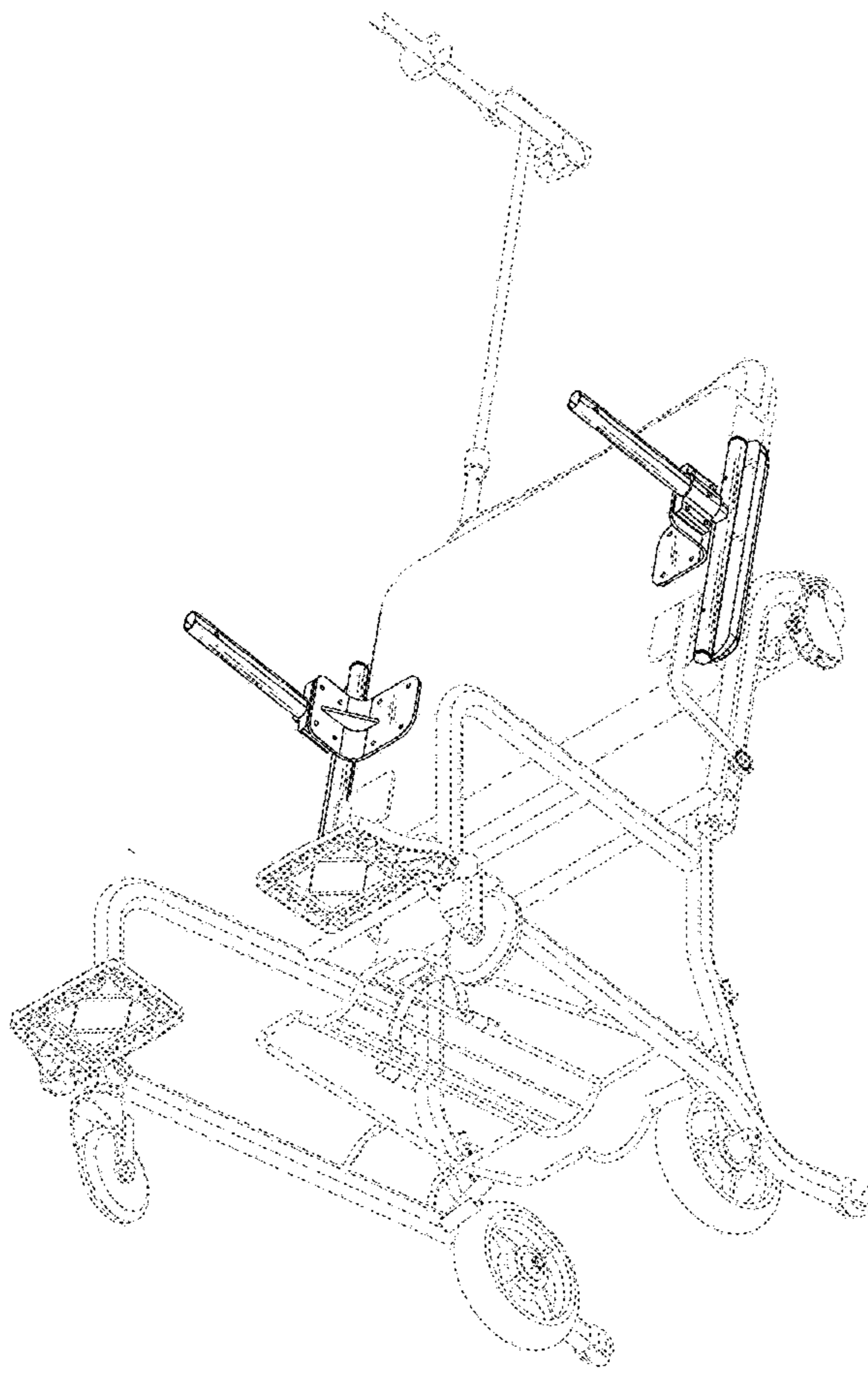


FIG. 10

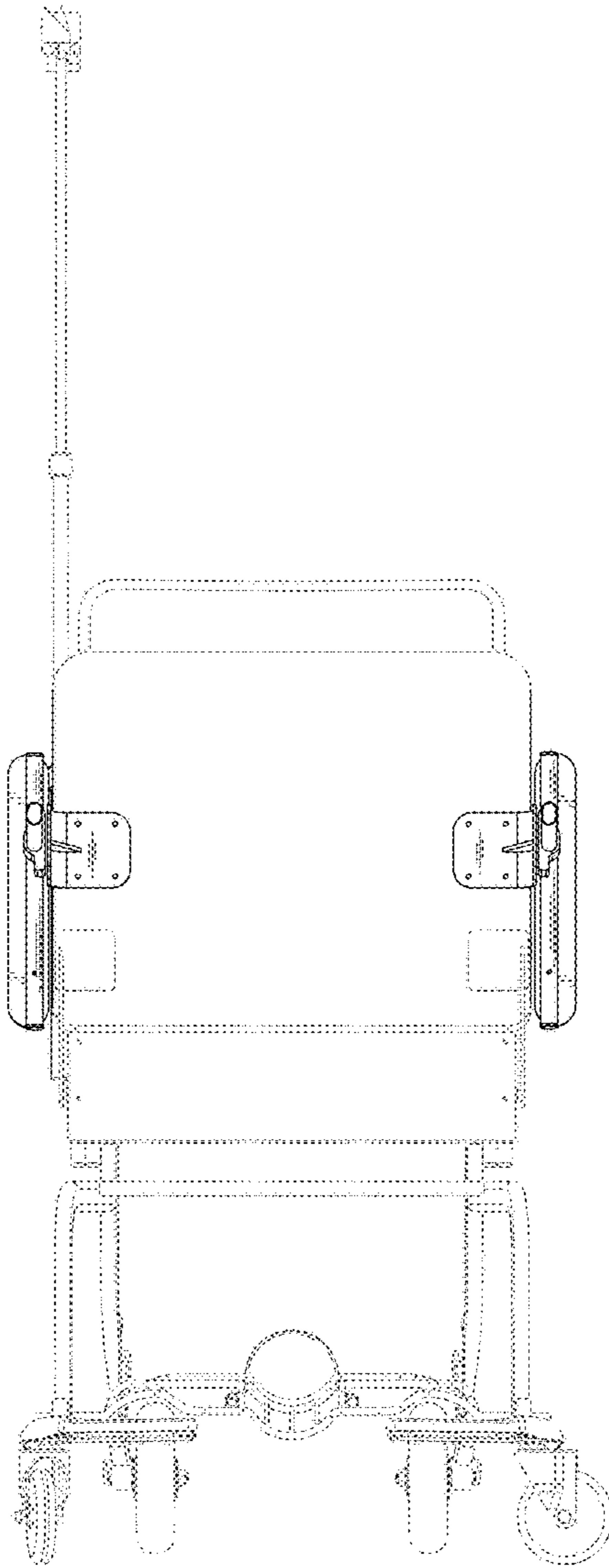


FIG. 11

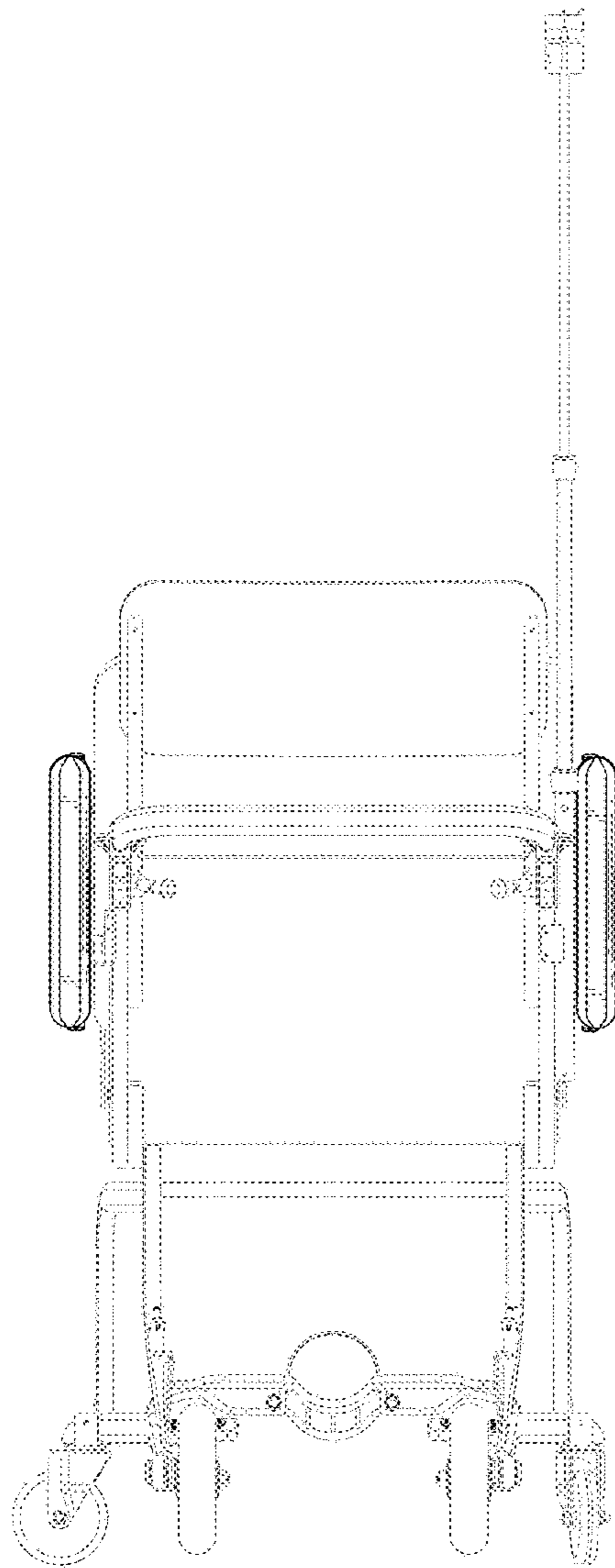


FIG. 12

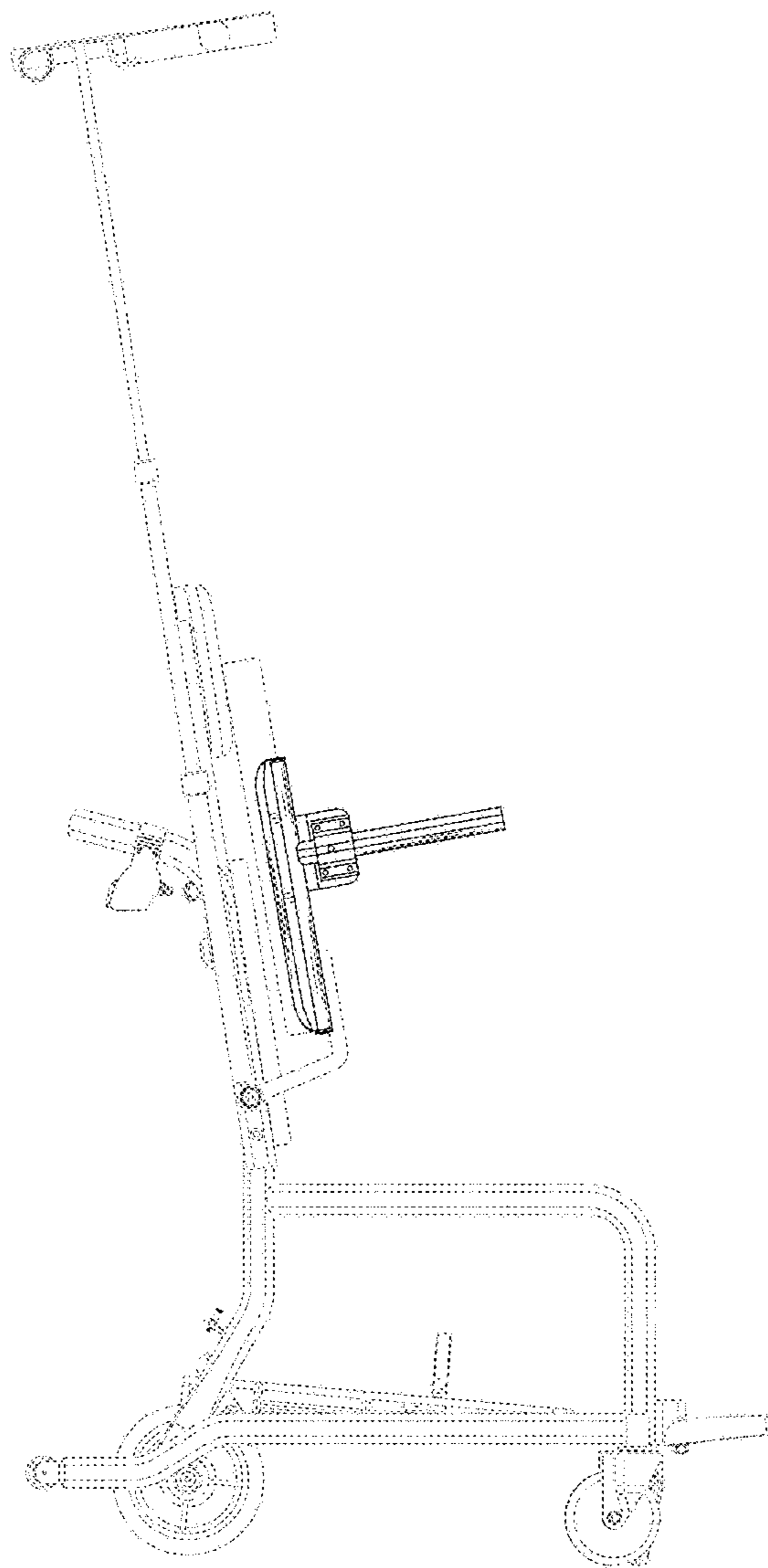


FIG. 13

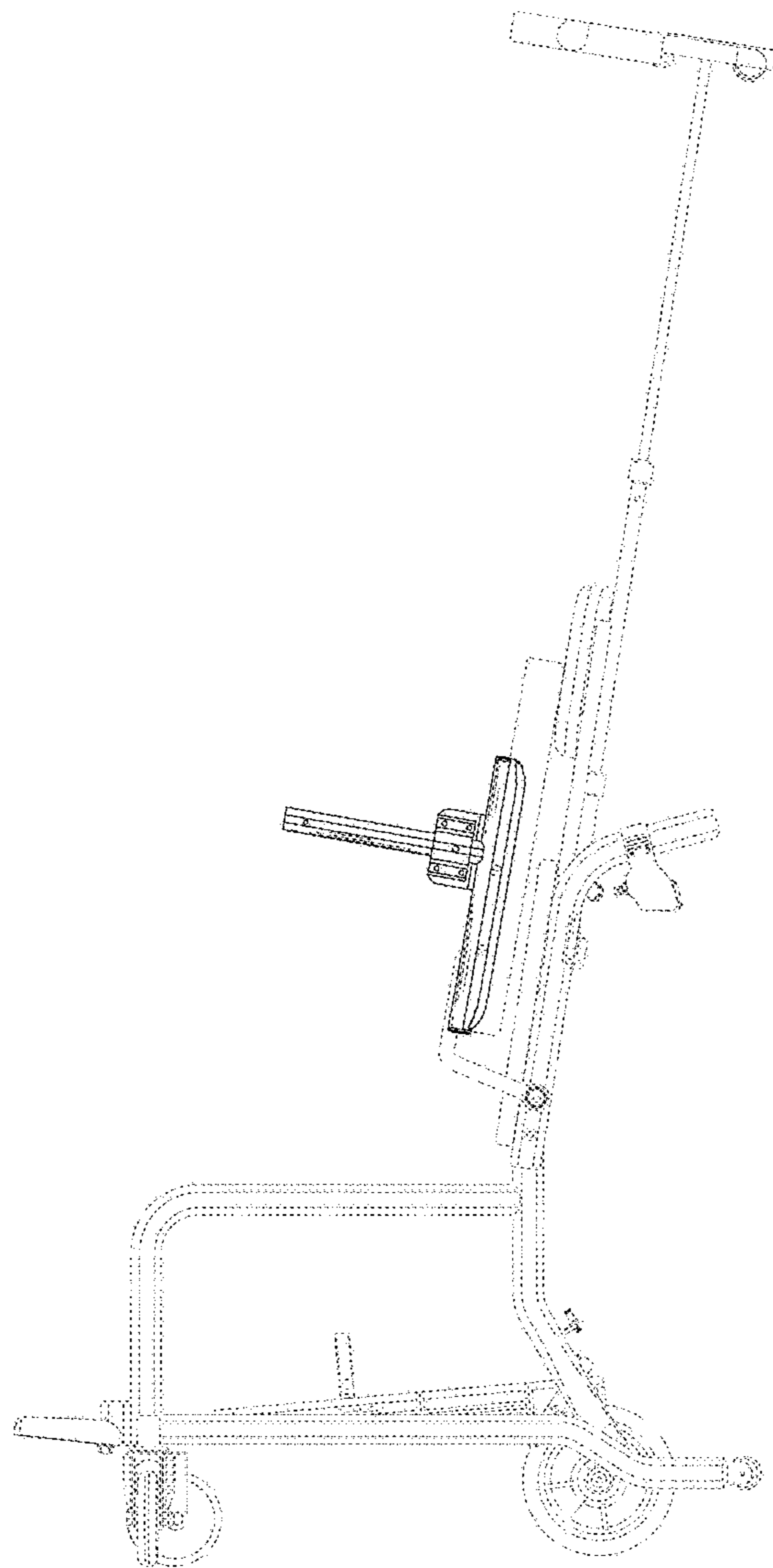


FIG. 14

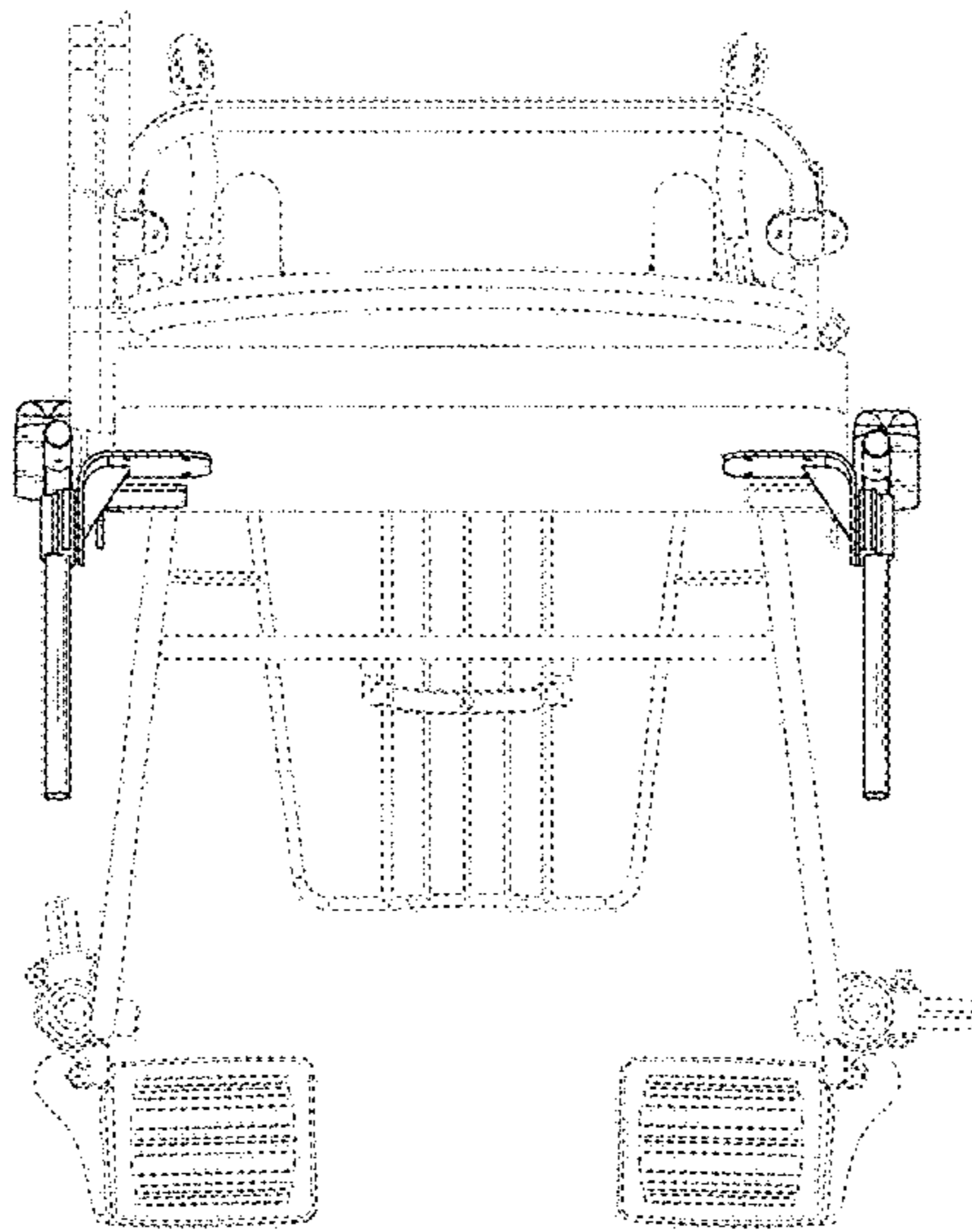


FIG. 15

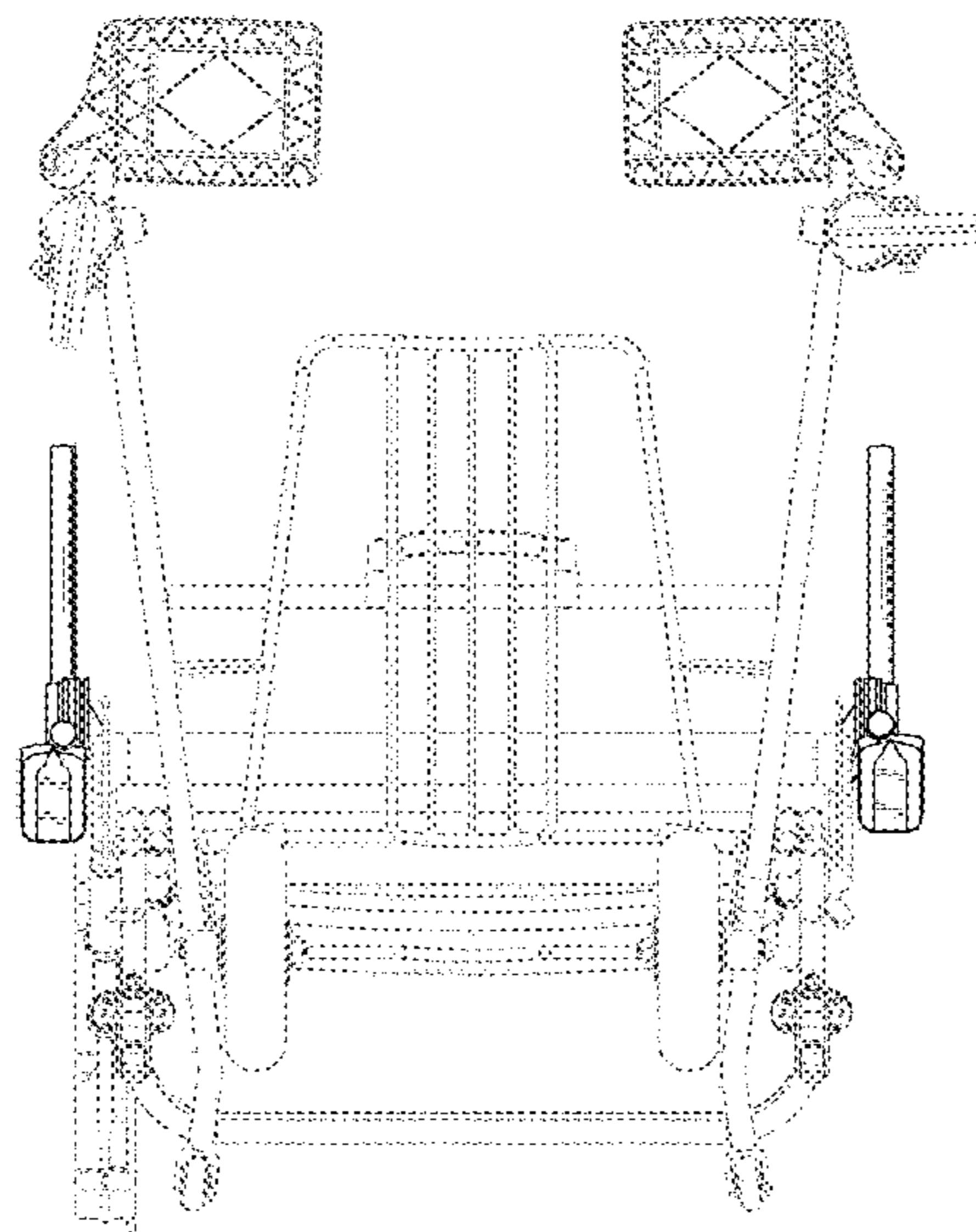


FIG. 16